

US00D641078S

(12) **United States Design Patent**
Morgan et al.

(10) **Patent No.:** **US D641,078 S**

(45) **Date of Patent:** **** Jul. 5, 2011**

(54) **MEDICAL SYRINGE WITH NEEDLE TIP CAP**

3,380,450 A 4/1968 Adelberger
D212,991 S * 12/1968 Evers D24/114
3,439,675 A 4/1969 Cohen
3,677,245 A 7/1972 Welch

(75) Inventors: **Darrell P. Morgan**, Sonning Common (GB); **Alex Lee**, New York, NY (US); **Dan Formosa**, Piermont, NY (US); **Steven Vordenberg**, Amherst, NH (US); **Joern Vicari**, Brooklyn, NY (US); **Boris Kontorvich**, Brooklyn, NY (US); **Eric Freitag**, New York, NY (US)

(Continued)

FOREIGN PATENT DOCUMENTS

DE 60000038 7/2002

(Continued)

(73) Assignee: **UCB Pharma, S.A.**, Brussels (BE)

OTHER PUBLICATIONS

(**) Term: **14 Years**

International Search Report for PCT/IB2008/003984 issued Aug. 12, 2009.

(21) Appl. No.: **29/313,356**

Primary Examiner — Karen E Eldridge Powers

(22) Filed: **Dec. 29, 2008**

(74) *Attorney, Agent, or Firm* — Ropes & Gray LLP

(51) **LOC (9) Cl.** **24-02**

(52) **U.S. Cl.** **D24/114**

(58) **Field of Classification Search** D24/112, D24/113, 114, 127, 130, 133, 144, 152; 433/80; 604/93.01, 93.02, 158, 163, 164.08, 181, 604/187, 192, 198, 185, 227, 232; 606/263

See application file for complete search history.

(57) **CLAIM**

The ornamental design for a medical syringe with needle tip cap, as shown and described.

DESCRIPTION

(56) **References Cited**

U.S. PATENT DOCUMENTS

1,479,536 A	1/1924	Philips	
1,549,006 A	8/1925	Kazmousky	
1,641,976 A *	9/1927	Laurent	604/184
1,655,909 A *	1/1928	Laurent	604/184
2,047,512 A	7/1936	Kauffman	
2,586,581 A	2/1952	Tschischeck	
2,671,450 A *	3/1954	Dann	604/192
2,678,647 A	5/1954	Bruger	
2,737,948 A	6/1956	Brown	
2,799,272 A	7/1957	Peach	
2,880,723 A	4/1959	Adams	
2,956,563 A *	10/1960	Sarnoff	604/232
2,994,323 A *	8/1961	Dann et al.	604/232
3,306,290 A *	2/1967	Weltman	604/197
3,340,872 A	9/1967	Cox	

FIG. 1 is a perspective view of a medical syringe with needle tip cap.

FIG. 2 is a top view of a medical syringe with needle tip cap.

FIG. 3 is a left side elevational view of a medical syringe with needle tip cap.

FIG. 4 is a front elevational view of a medical syringe with needle tip cap.

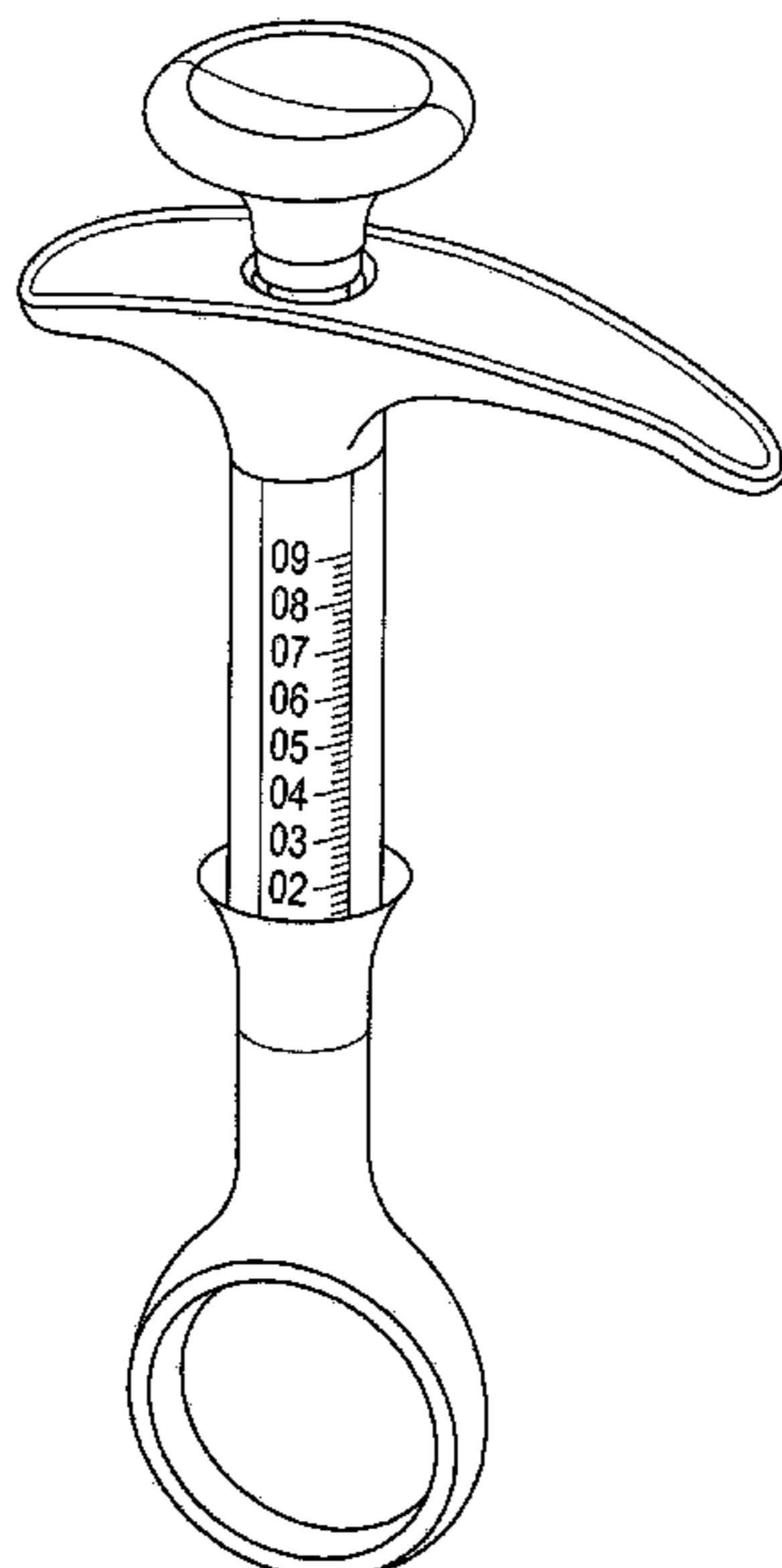
FIG. 5 is a right side elevational view of a medical syringe with needle tip cap.

FIG. 6 is a back view of a medical syringe with needle tip cap.

FIG. 7 is a bottom view of a medical syringe with needle tip cap; and,

FIG. 8 is an exploded view of a medical syringe with needle tip cap.

1 Claim, 4 Drawing Sheets



US D641,078 S

U.S. PATENT DOCUMENTS					
3,680,559	A	8/1972 Gorbahn	5,634,906	A	6/1997 Haber et al.
3,758,006	A	9/1973 Gravlee	5,637,099	A	6/1997 Durdin et al.
3,978,858	A	9/1976 Tischlinger	5,647,849	A	7/1997 Kalin
4,057,052	A	11/1977 Kaufman et al.	5,658,254	A	8/1997 Reichenbach et al.
D249,808	S *	10/1978 Bloom et al. D24/130	5,718,690	A	2/1998 Gettig
4,248,246	A	2/1981 Ikeda	5,733,264	A	3/1998 Flowers
4,333,456	A *	6/1982 Webb 604/121	5,746,733	A	5/1998 Capaccio et al.
4,365,626	A	12/1982 House	5,807,343	A	9/1998 Tucker et al.
4,411,656	A	10/1983 Cornett, III	5,820,603	A	10/1998 Tucker et al.
4,430,082	A	2/1984 Schwabacher	D403,761	S	1/1999 Adams
4,444,310	A	4/1984 Odell	5,858,008	A	1/1999 Capaccio
4,474,734	A	10/1984 Cooper	5,860,961	A	1/1999 Gettig
4,490,142	A	12/1984 Silvern	5,928,200	A *	7/1999 Thorne et al. 604/195
4,568,336	A	2/1986 Cooper	5,944,699	A	8/1999 Barrelle et al.
4,624,659	A	11/1986 Goldberg et al.	5,985,962	A	11/1999 Knors et al.
4,635,807	A	1/1987 Knapp	5,986,002	A	11/1999 Hwang et al.
4,636,201	A	1/1987 Ambrose et al.	5,997,513	A *	12/1999 Smith et al. 604/198
4,668,223	A	5/1987 Grotenhuis	5,997,514	A	12/1999 Balestracci
4,728,320	A	3/1988 Chen	6,027,481	A	2/2000 Barrelle et al.
4,742,910	A	5/1988 Staebler	6,027,482	A	2/2000 Imbert
4,743,234	A	5/1988 Leopoldi et al.	D425,198	S *	5/2000 Porta D24/130
4,744,790	A *	5/1988 Jankowski et al. 604/232	6,093,174	A	7/2000 Novinkov
4,767,413	A	8/1988 Haber et al.	D429,812	S	8/2000 Hjertman et al.
4,863,433	A	9/1989 Payne et al.	6,105,230	A	8/2000 Balestracci
4,892,525	A	1/1990 Hermann, Jr. et al.	6,120,481	A	9/2000 Rennert et al.
4,919,657	A	4/1990 Haber et al.	6,126,640	A	10/2000 Tucker et al.
4,931,040	A *	6/1990 Haber et al. 604/110	6,171,283	B1 *	1/2001 Perez et al. 604/192
4,940,460	A	7/1990 Casey et al.	6,186,980	B1	2/2001 Brunel
4,964,866	A	10/1990 Szwarc	6,190,364	B1	2/2001 Imbert
4,974,286	A	12/1990 Stowell et al.	6,193,688	B1	2/2001 Balestracci et al.
4,985,020	A	1/1991 Kasuya	6,196,998	B1	3/2001 Jansen et al.
4,986,817	A	1/1991 Code	6,210,374	B1	4/2001 Malencheck
4,986,818	A	1/1991 Imbert et al.	6,221,055	B1	4/2001 Shaw et al.
5,002,537	A *	3/1991 Hoffman et al. 604/232	6,277,102	B1	8/2001 Carilli
5,013,299	A	5/1991 Clark	6,283,946	B1	9/2001 Fischer
5,061,252	A	10/1991 Dragosits	6,352,522	B1	3/2002 Kim et al.
5,067,944	A	11/1991 Nichols	6,361,524	B1	3/2002 Odell et al.
5,088,988	A *	2/1992 Talonn et al. 604/198	6,436,075	B1	8/2002 Liao
5,098,382	A *	3/1992 Haber et al. 604/110	6,447,480	B1	9/2002 Brunel
5,098,400	A	3/1992 Crouse et al.	6,475,193	B1	11/2002 Park
5,108,378	A	4/1992 Firth et al.	6,485,460	B2	11/2002 Eakins et al.
5,112,307	A	5/1992 Haber et al.	6,491,667	B1	12/2002 Keane et al.
5,135,511	A	8/1992 Houghton et al.	6,520,935	B1	2/2003 Jansen et al.
5,135,514	A	8/1992 Kimber	6,585,702	B1	7/2003 Brunel
5,147,328	A	9/1992 Dragosits et al.	6,595,961	B2	7/2003 Hetzler et al.
5,176,657	A	1/1993 Shields	6,595,978	B2	7/2003 Granier
5,242,405	A	9/1993 Howe	D479,600	S	9/2003 Bainton
5,250,037	A	10/1993 Bitdinger	6,622,721	B2	9/2003 Vedrine et al.
5,261,880	A	11/1993 Streck et al.	6,629,963	B2	10/2003 Prais et al.
5,279,581	A	1/1994 Firth et al.	6,632,199	B1	10/2003 Tucker et al.
5,312,365	A	5/1994 Firth et al.	D484,239	S *	12/2003 Anderson D24/114
5,322,515	A	6/1994 Karas et al.	6,662,406	B2	12/2003 Shonfeld et al.
5,324,272	A	6/1994 Smedley et al.	6,663,601	B2	12/2003 Hetzler et al.
5,342,309	A	8/1994 Hausser	6,695,772	B1 *	2/2004 Bon et al. 600/114
5,344,404	A	9/1994 Benson	6,719,732	B2	4/2004 Courteix
5,344,407	A	9/1994 Ryan	6,736,799	B1	5/2004 Erbe et al.
5,344,417	A	9/1994 Wadsworth, Jr.	6,743,216	B2	6/2004 Odell et al.
5,350,367	A *	9/1994 Stiehl et al. 604/232	6,755,220	B2	6/2004 Castellano et al.
5,356,392	A	10/1994 Firth et al.	6,789,750	B1	9/2004 Heldt
5,380,286	A	1/1995 van den Haak	6,821,268	B2	11/2004 Balestracci
5,382,241	A	1/1995 Choudhury et al.	6,840,291	B2	1/2005 Caizza et al.
5,385,555	A	1/1995 Hausser	6,840,921	B1	1/2005 Haider et al.
D355,970	S	2/1995 Monthony et al.	6,936,034	B2	8/2005 Watkins
5,433,711	A	7/1995 Balaban et al.	6,966,897	B2	11/2005 Shimazaki
5,437,639	A	8/1995 Malencheck	7,041,087	B2	5/2006 Henderson et al.
5,440,784	A	8/1995 Hull et al.	7,044,125	B2	5/2006 Vedrine et al.
5,453,093	A	9/1995 Haining	7,051,734	B2	5/2006 Casper et al.
5,478,321	A	12/1995 Kimber	7,052,517	B2	5/2006 Murphy et al.
5,483,973	A	1/1996 Benson et al.	7,094,223	B2	8/2006 Brunel
5,496,288	A	3/1996 Sweeney	7,104,969	B2	9/2006 Du Plessis
5,533,980	A	7/1996 Sweeney et al.	7,141,286	B1	11/2006 Kessler et al.
5,593,391	A *	1/1997 Stanners 604/232	D543,273	S	5/2007 Young et al.
5,597,530	A	1/1997 Smith et al.	7,241,275	B2	7/2007 Alchas et al.
5,601,077	A	2/1997 Imbert	7,255,689	B2	8/2007 Westbye
5,616,135	A *	4/1997 Thorne et al. 604/192	7,261,559	B2	8/2007 Smith et al.
5,620,425	A	4/1997 Heffernan et al.	D550,363	S	9/2007 Hannant et al.
5,624,400	A	4/1997 Firth et al.	7,273,484	B2	9/2007 Thoes et al.
5,624,405	A	4/1997 Futagawa et al.	D563,549	S	3/2008 Mulhauser et al.
			7,361,669	B2	4/2008 Scarborough et al.

US D641,078 S

Page 3

D574,954	S	8/2008	Smith	EP	1090653	4/2001
D580,052	S	11/2008	White	EP	1317300	6/2003
7,458,962	B2 *	12/2008	McWethy et al. 604/506	EP	1453561	9/2004
7,540,860	B2 *	6/2009	Stamler 604/268	EP	1871275	1/2008
D598,543	S	8/2009	Vogel et al.	EP	2062607	5/2009
D606,190	S	12/2009	Pruitt et al.	FR	2 803 530	7/2001
D609,333	S	2/2010	Holmes	GB	2 424 836	10/2006
7,699,812	B2 *	4/2010	Conte 604/192	GB	2 438 590	12/2007
2002/0068908	A1	6/2002	Sun	JP	8126701	5/1996
2003/0060777	A1	3/2003	Benz et al.	JP	2003000711	1/2003
2003/0181859	A1	9/2003	Brunel	JP	2003511106	3/2003
2003/0187401	A1	10/2003	Doyle	JP	2004505684	2/2004
2004/0199124	A1	10/2004	Conte	JP	2005512637	5/2005
2005/0240160	A1	10/2005	Lin	JP	2008534175	8/2008
2006/0223027	A1	10/2006	Smith et al.	NL	7206708	11/1972
2007/0078409	A1	4/2007	Saltz	WO	WO-88/06462	9/1988
2007/0156100	A1	7/2007	Moesli et al.	WO	WO-2000/35519	6/2000
2007/0244444	A1	10/2007	Guelker et al.	WO	WO-01/124855	4/2001
2007/0250016	A1	10/2007	Pech et al.	WO	WO-02/11799	2/2002
2009/0036839	A1	2/2009	Phalen	WO	WO-03/051423	6/2003
2009/0137966	A1	5/2009	Rueckert et al.	WO	WO-2004/096324	11/2004
				WO	WO-2005/032627	4/2005
				WO	WO-2005/115508	12/2005
				WO	WO-2006/049965	5/2006
				WO	WO-2006/108085	10/2006
				WO	WO-2007/109002	9/2007
FOREIGN PATENT DOCUMENTS						
DE	60112770	3/2006				
DE	60018774	4/2006				
DE	102007056240	5/2009				
EP	0 372 892	6/1990				

* cited by examiner

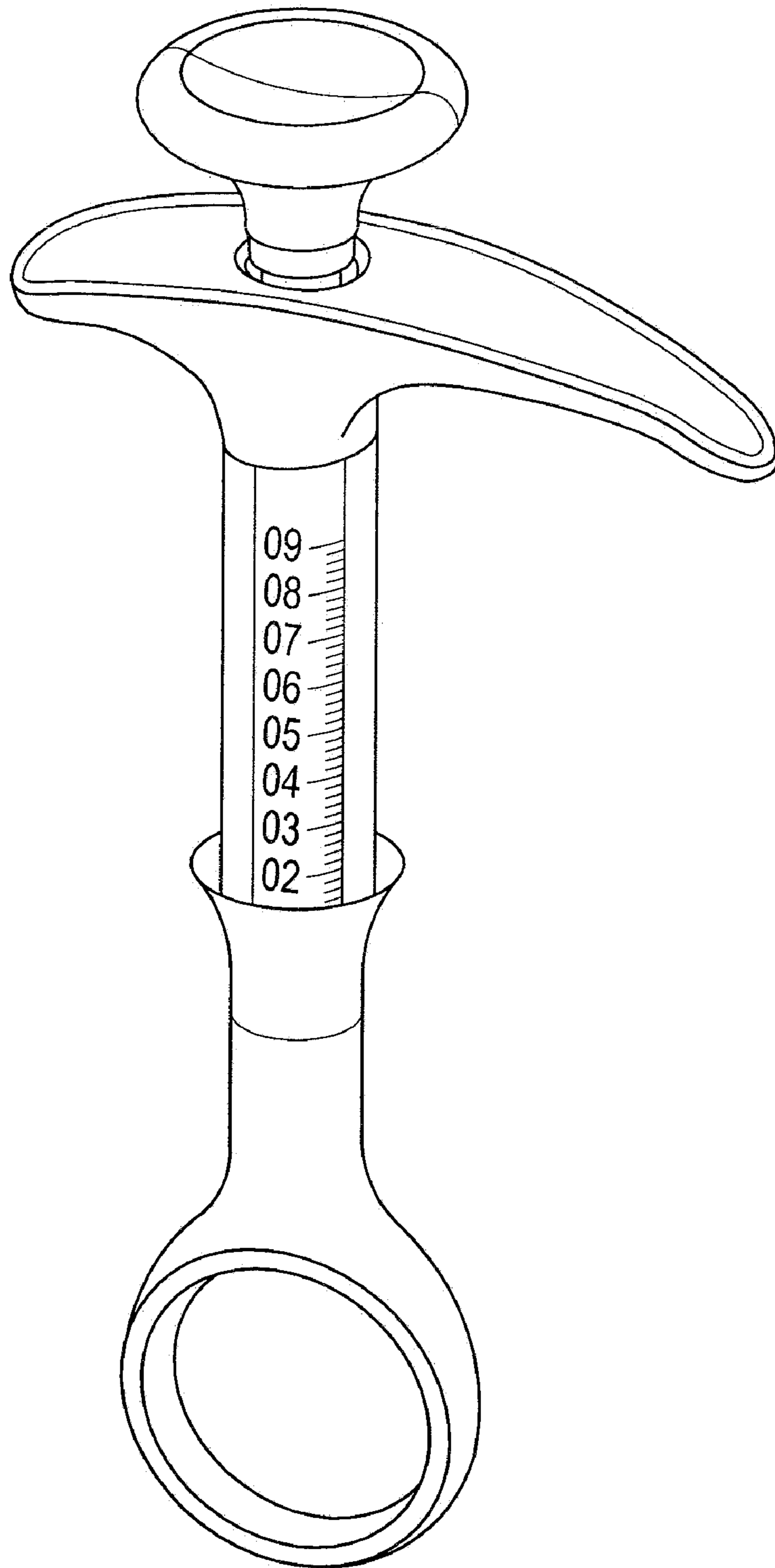


FIGURE 1

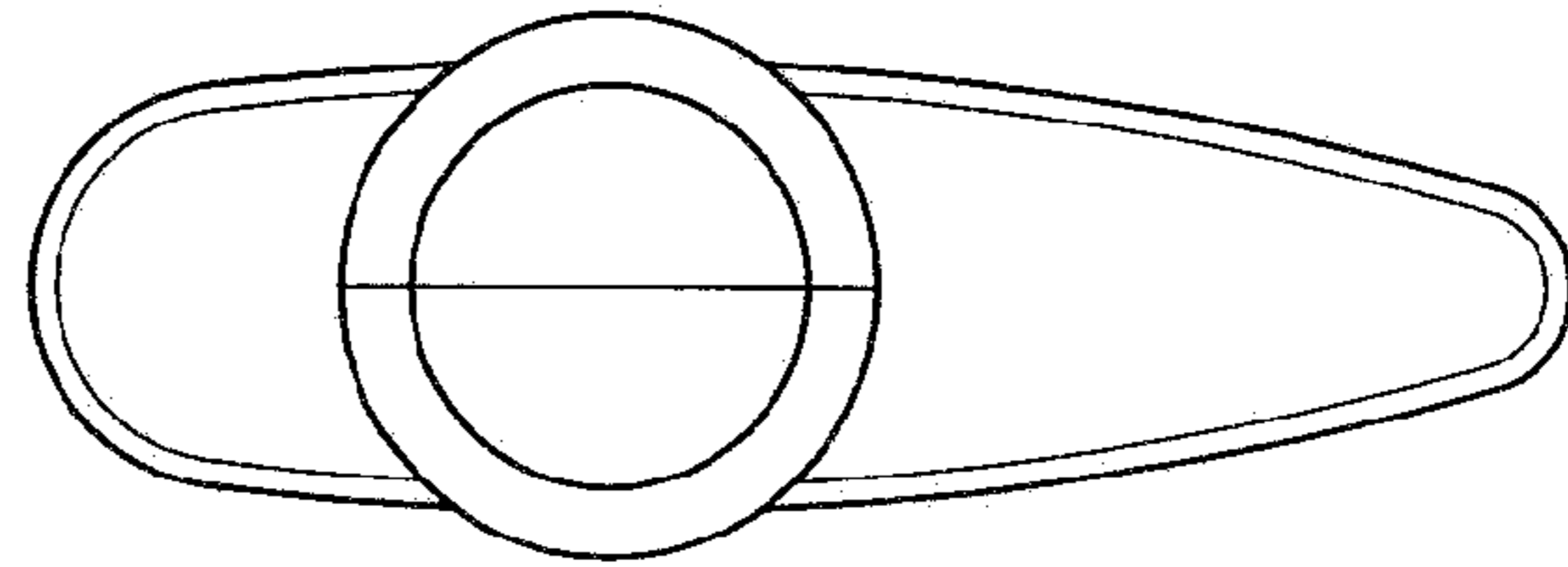


FIGURE 2

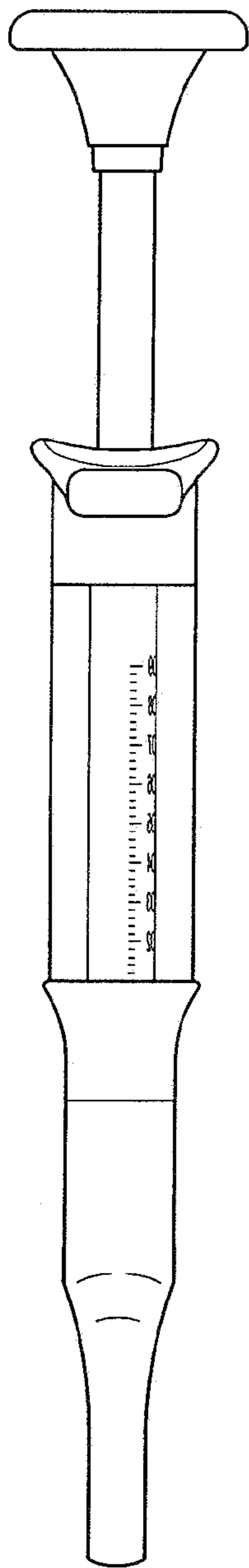


FIGURE 3

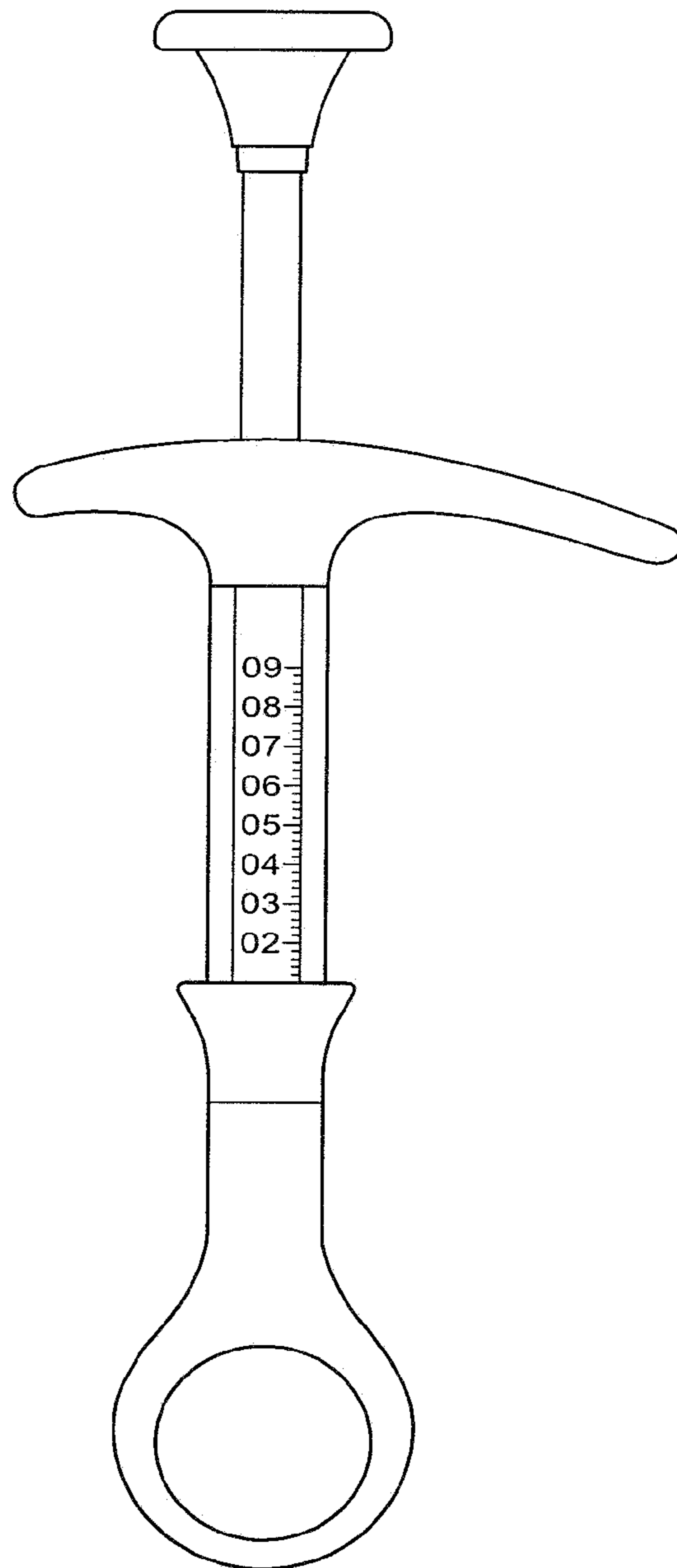


FIGURE 4

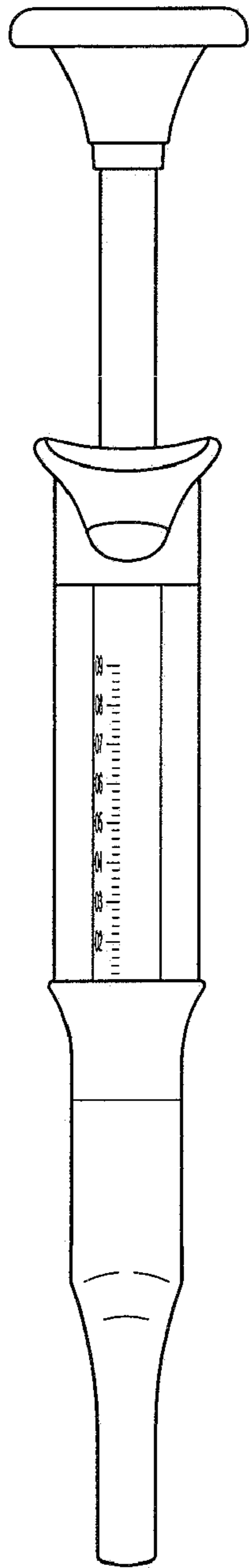


FIGURE 5

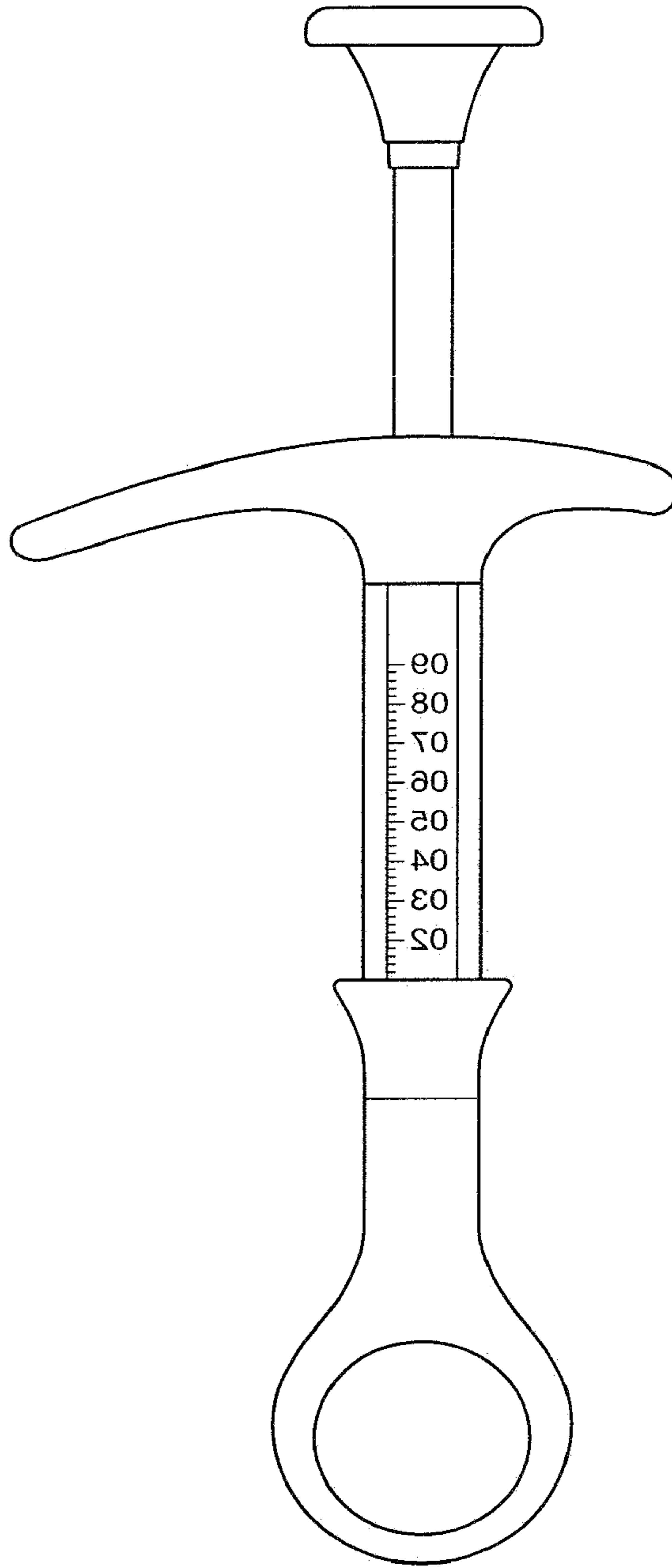


FIGURE 6

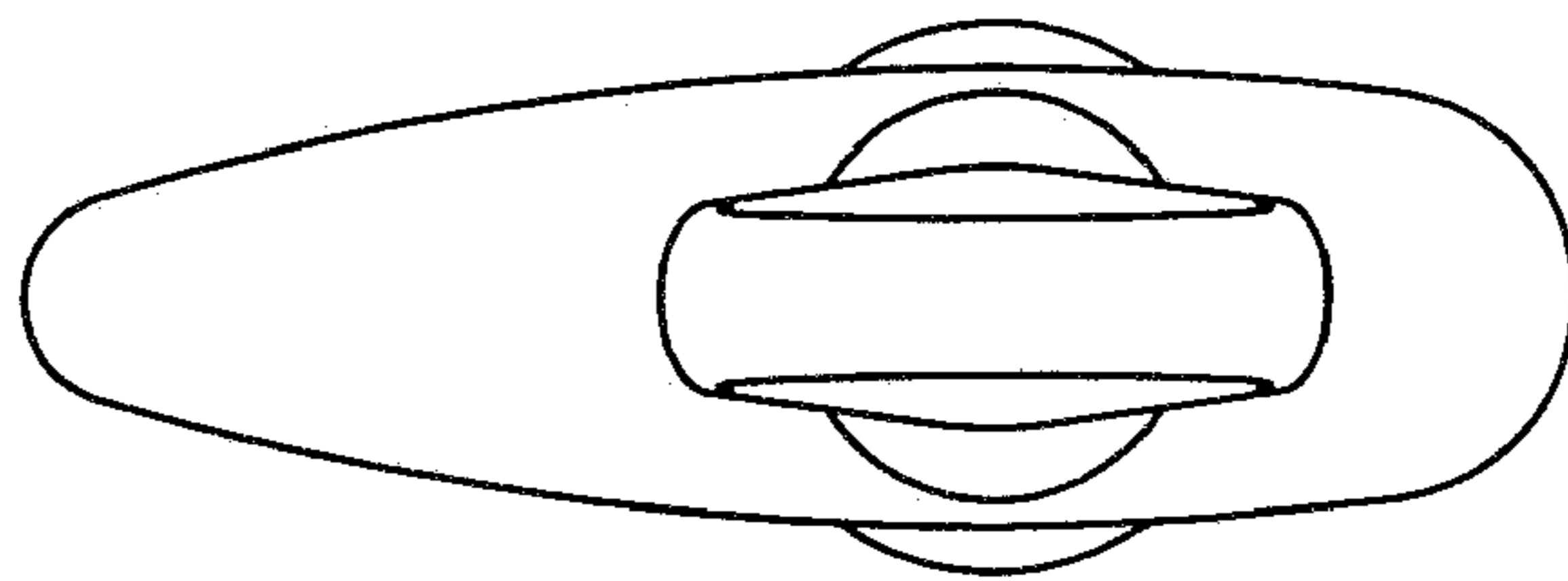


FIGURE 7

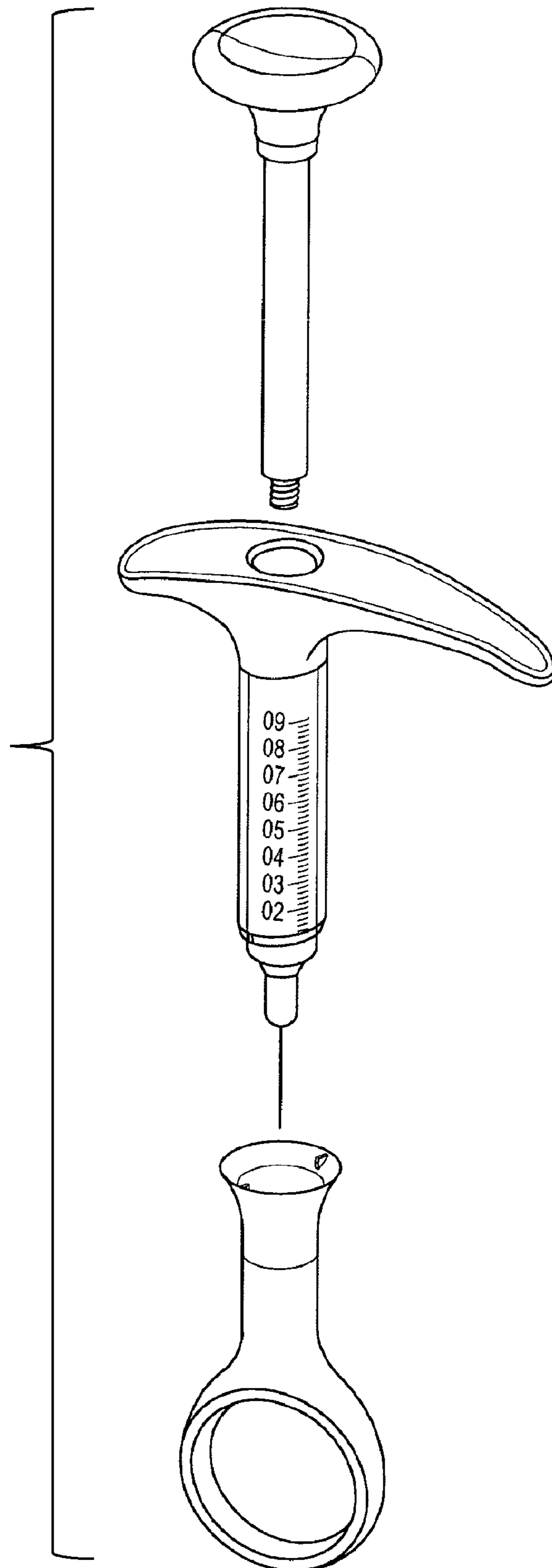


FIGURE 8