



US00D641076S

(12) **United States Design Patent**  
**Grunstad et al.**

(10) **Patent No.:** **US D641,076 S**  
(45) **Date of Patent:** **\*\* Jul. 5, 2011**

(54) **DRY POWDER INHALER**

(75) Inventors: **Jerome A. Grunstad**, Inver Grove Heights, MN (US); **Charles Buckner**, Chapel Hill, NC (US); **Cyan Godfrey**, Chapel Hill, NC (US); **Daniel Deaton**, Apex, NC (US); **Andrew J. Valentine**, Raleigh, NC (US); **Margaret F. Butler**, Raleigh, NC (US); **Thomas W. Ruckdeschel**, Cary, NC (US)

(73) Assignee: **Oriel Therapeutics, Inc.**, Durham, NC (US)

(\*\*) Term: **14 Years**

(21) Appl. No.: **29/358,433**

(22) Filed: **Mar. 26, 2010**

(51) **LOC (9) Cl.** ..... **24-01**

(52) **U.S. Cl.** ..... **D24/110**

(58) **Field of Classification Search** ..... D24/108-110.5;  
128/200.26, 207.14, 207.17

See application file for complete search history.

(56) **References Cited**

**U.S. PATENT DOCUMENTS**

4,627,432	A	12/1986	Newell et al.	
4,778,054	A	10/1988	Newell et al.	
D299,066	S *	12/1988	Newell et al.	D24/110
4,811,731	A	3/1989	Newell et al.	
5,035,237	A	7/1991	Newell et al.	
5,138,138	A	8/1992	Theilacker et al.	
D342,994	S	1/1994	Rand et al.	
5,327,883	A	7/1994	Williams et al.	
5,337,740	A	8/1994	Armstrong et al.	
5,388,572	A	2/1995	Mulhauser et al.	
5,529,059	A	6/1996	Armstrong et al.	
5,533,502	A	7/1996	Piper	
D377,215	S	1/1997	Rand	
5,622,166	A	4/1997	Eisele et al.	
D379,506	S	5/1997	Maher	
D391,369	S	2/1998	Anderson	

(Continued)

**FOREIGN PATENT DOCUMENTS**

DE 19500764 7/1996

(Continued)

**OTHER PUBLICATIONS**

Hickey et al., A new millennium for inhaler technology, 21 Pharm. Tech., n. 6, pp. 116-125 (1997).

(Continued)

*Primary Examiner* — Ian Simmons

*Assistant Examiner* — Charles Hanson

(74) *Attorney, Agent, or Firm* — Myers Bigel Sibley & Sajovec, P.A.

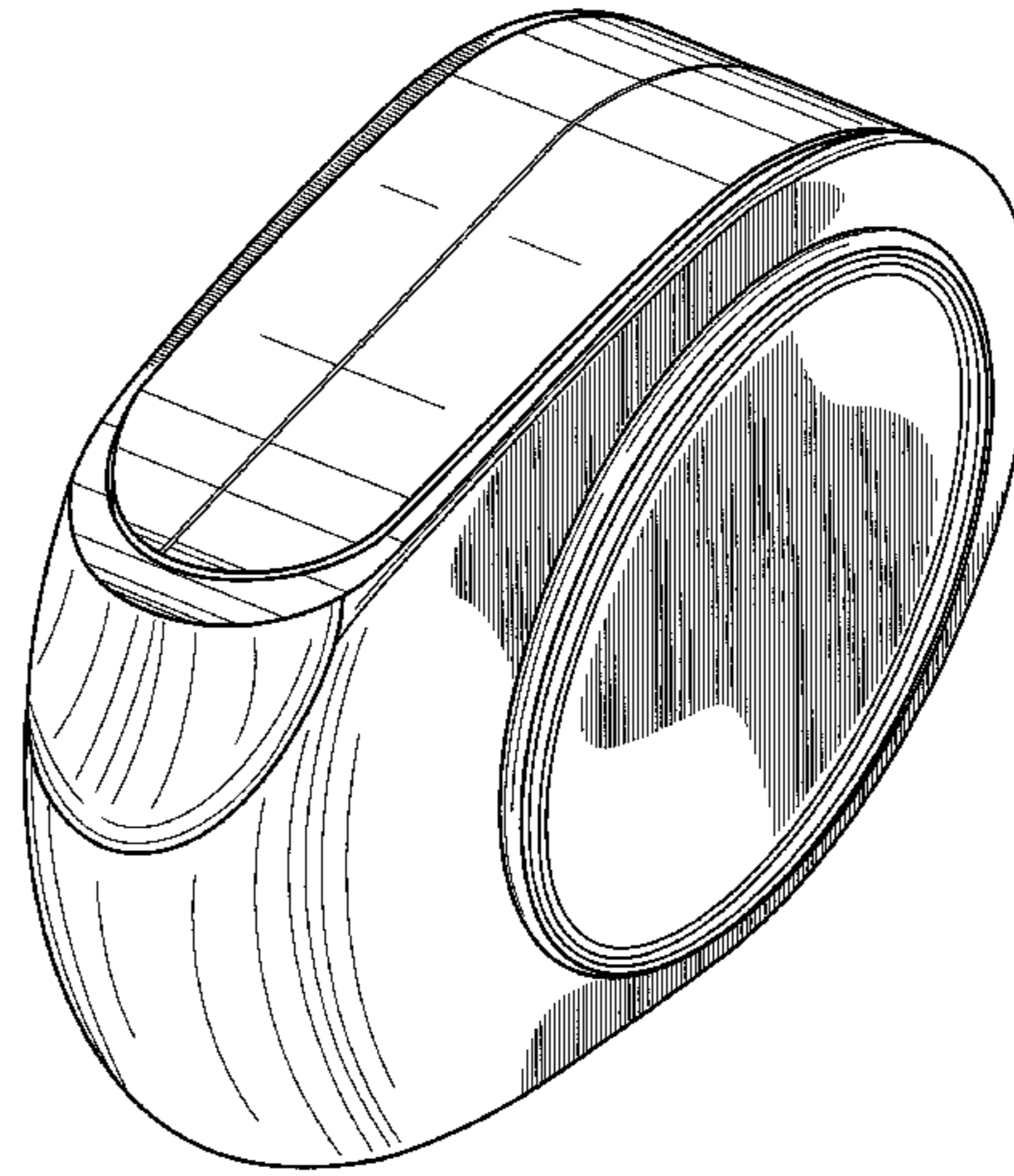
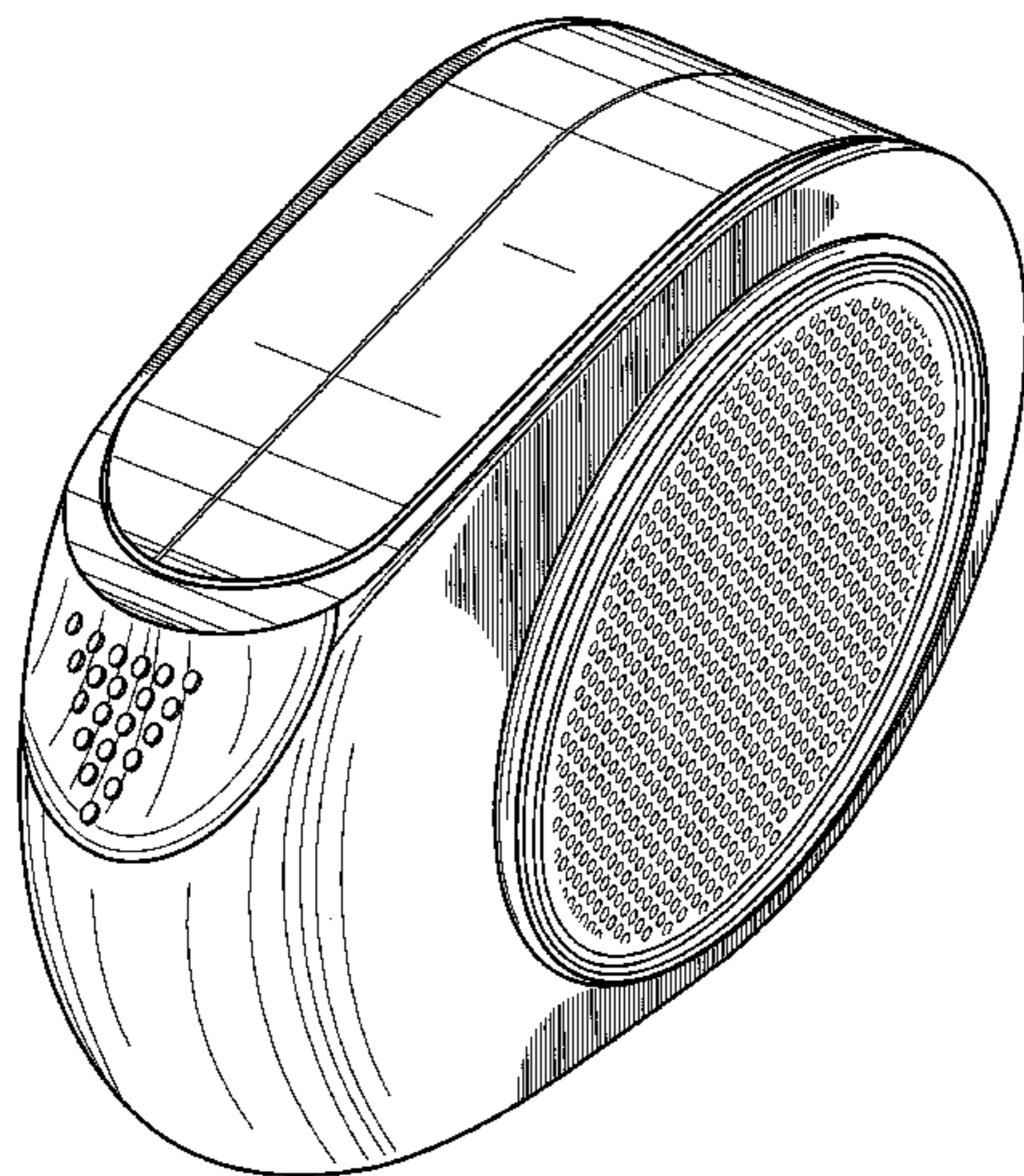
(57) **CLAIM**

The ornamental design for a dry powder inhaler, as shown and described.

**DESCRIPTION**

FIG. 1 is a front top side perspective view of a first embodiment of a dry powder inhaler showing our design; FIG. 2 is a front perspective view thereof; FIG. 3 is a bottom view thereof; FIG. 4 is a rear end view thereof; FIG. 5 is a front end view thereof; FIG. 6 is a top view thereof; FIG. 7 is a side view thereof; FIG. 8 is an opposing side view thereof; FIG. 9 is a front top side perspective view of a second embodiment of a dry powder inhaler showing our new design; FIG. 10 is a front perspective view thereof; FIG. 11 is a bottom view thereof; FIG. 12 is a back end view thereof; FIG. 13 is a front end view thereof; FIG. 14 is a top view thereof; FIG. 15 is a side view thereof; and, FIG. 16 is an opposing side view thereof. The broken lines shown herein are for illustrative purposes only and form no part of the claimed design.

**1 Claim, 8 Drawing Sheets**



# US D641,076 S

Page 2

## U.S. PATENT DOCUMENTS

5,715,810 A 2/1998 Armstrong et al.  
 5,727,607 A 3/1998 Ichikawa et al.  
 5,769,073 A 6/1998 Eason et al.  
 5,909,829 A 6/1999 Wegman et al.  
 5,921,237 A 7/1999 Eisele et al.  
 5,947,169 A 9/1999 Wegman et al.  
 6,029,663 A 2/2000 Eisele et al.  
 6,082,356 A 7/2000 Stradella  
 6,116,238 A 9/2000 Jackson et al.  
 D433,126 S 10/2000 McCurry  
 D437,931 S 2/2001 Anderson  
 D445,496 S 7/2001 Anderson  
 6,328,033 B1 12/2001 Avrahami  
 6,367,473 B1 4/2002 Käfer  
 6,445,941 B1 9/2002 Hampton et al.  
 6,543,448 B1 4/2003 Smith et al.  
 6,550,477 B1 4/2003 Casper et al.  
 6,591,832 B1 7/2003 DeJonge  
 6,655,381 B2 12/2003 Keane et al.  
 6,668,827 B2 12/2003 Schuler et al.  
 6,679,254 B1 1/2004 Rand et al.  
 D494,674 S 8/2004 King et al.  
 6,792,945 B2 9/2004 Davies et al.  
 D497,988 S 11/2004 King et al.  
 6,810,872 B1 11/2004 Ohki et al.  
 6,871,647 B2 3/2005 Allan et al.  
 6,880,555 B1 4/2005 Brunnberg et al.  
 6,923,178 B2 8/2005 Snow  
 6,948,494 B1 9/2005 Snow  
 D514,222 S 1/2006 Anderson et al.  
 D518,171 S 3/2006 Anderson et al.  
 7,089,935 B1 8/2006 Rand  
 D527,815 S \* 9/2006 Nishibayashi et al. .... D24/110  
 D527,816 S \* 9/2006 Nishibayashi et al. .... D24/110  
 D527,817 S \* 9/2006 Ziegler et al. .... D24/110  
 D528,654 S \* 9/2006 Nishibayashi et al. .... D24/110  
 7,219,665 B1 5/2007 Braithwaite  
 7,275,538 B2 10/2007 Nakamura et al.  
 7,318,436 B2 1/2008 Snow  
 D569,968 S \* 5/2008 Kolb et al. .... D24/110  
 D579,544 S \* 10/2008 Birath et al. .... D24/110  
 7,503,324 B2 3/2009 Barney et al.  
 7,571,723 B2 8/2009 Braithwaite  
 7,571,724 B2 8/2009 Braithwaite  
 D613,395 S \* 4/2010 Nakao et al. .... D24/110  
 D613,396 S \* 4/2010 Nakao et al. .... D24/110  
 D613,397 S \* 4/2010 Nakao et al. .... D24/110

D613,848 S 4/2010 Harvey et al.  
 D614,024 S \* 4/2010 Eason et al. .... D9/421  
 D623,054 S \* 9/2010 Eason et al. .... D9/421  
 2001/0007853 A1 7/2001 Dimarchi et al.  
 2001/0053761 A1 12/2001 Dimarchi et al.  
 2002/0040713 A1 4/2002 Eisele et al.  
 2005/0161041 A1 7/2005 Schuler et al.  
 2005/0172963 A1 8/2005 Allan et al.  
 2006/0102511 A1 5/2006 Pasbrig et al.  
 2006/0157053 A1 7/2006 Barney et al.  
 2007/0137643 A1 6/2007 Bonney et al.  
 2007/0137645 A1 6/2007 Eason et al.  
 2007/0181124 A1 8/2007 Casper et al.  
 2007/0221218 A1 9/2007 Warden et al.  
 2007/0235029 A1 10/2007 Zhu et al.  
 2009/0114220 A1 5/2009 Wachtel et al.

## FOREIGN PATENT DOCUMENTS

EP 1106196 3/2001  
 EP 1844805 10/2007  
 GB 873410 7/1961  
 GB 2340758 3/2000  
 WO WO 94/20164 9/1994  
 WO WO 98/41265 9/1998  
 WO WO 99/36116 7/1999  
 WO WO 00/45879 8/2000  
 WO WO 01/28616 4/2001  
 WO WO 01/34234 5/2001  
 WO WO 02/053215 7/2002  
 WO WO 02/053216 7/2002  
 WO WO 03/011708 2/2003  
 WO WO 2004/045487 6/2004  
 WO WO 2005/002654 1/2005  
 WO WO 2005/037353 4/2005  
 WO WO 2005/044173 5/2005  
 WO WO 2005/110519 11/2005  
 WO WO 2006/031775 3/2006  
 WO WO 2006/108877 10/2006  
 WO WO 2007/007110 1/2007  
 WO WO 2007/012871 2/2007

## OTHER PUBLICATIONS

Prime et al., Review of Dry Powder Inhalers, 26 Adv. Drug Delivery Rev., pp. 51-58 (1997).  
 Wolff et al., Generation of Aerosolized Drugs, J. Aerosol. Med., pp. 88-106 (1994).

\* cited by examiner

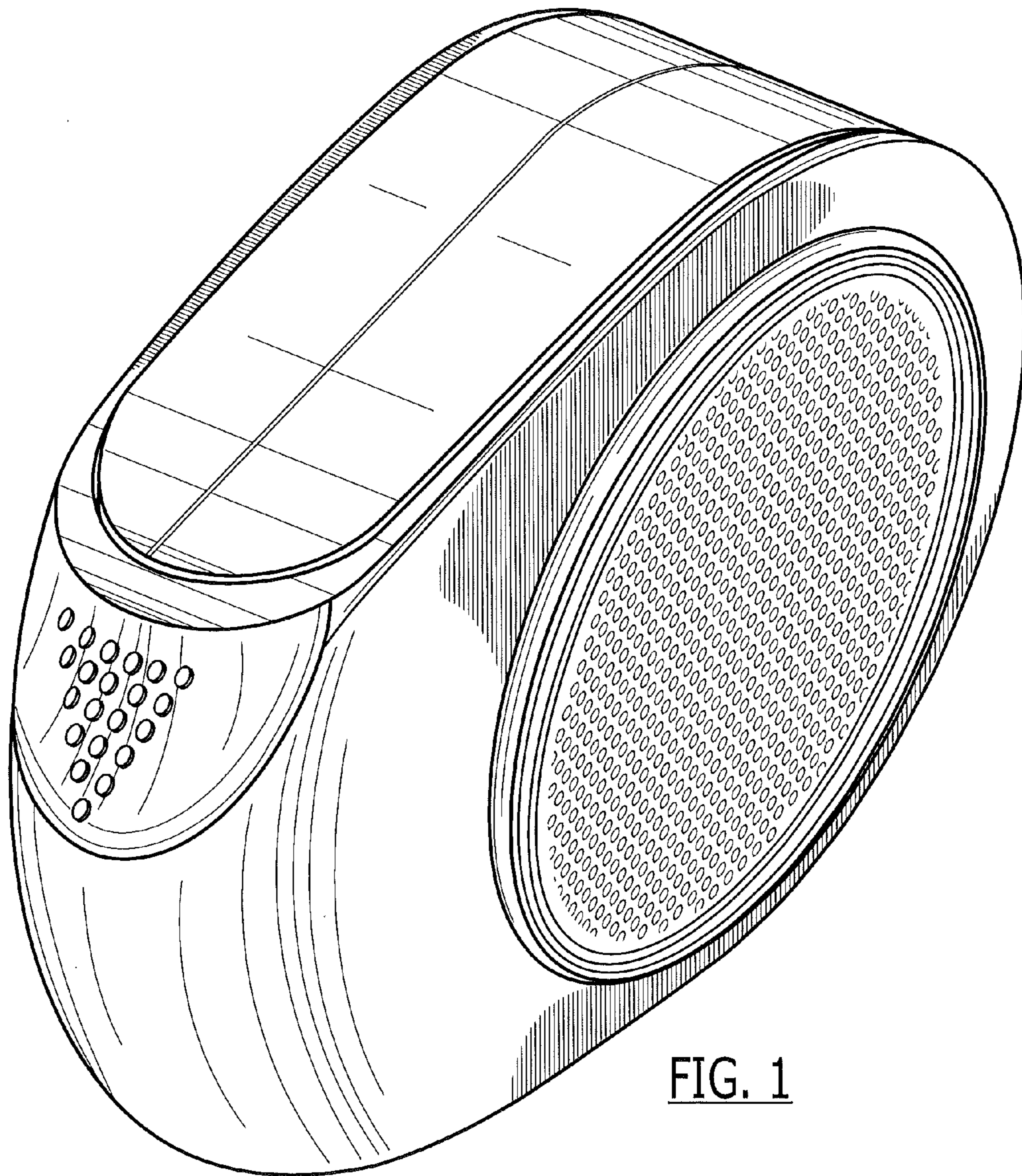


FIG. 1

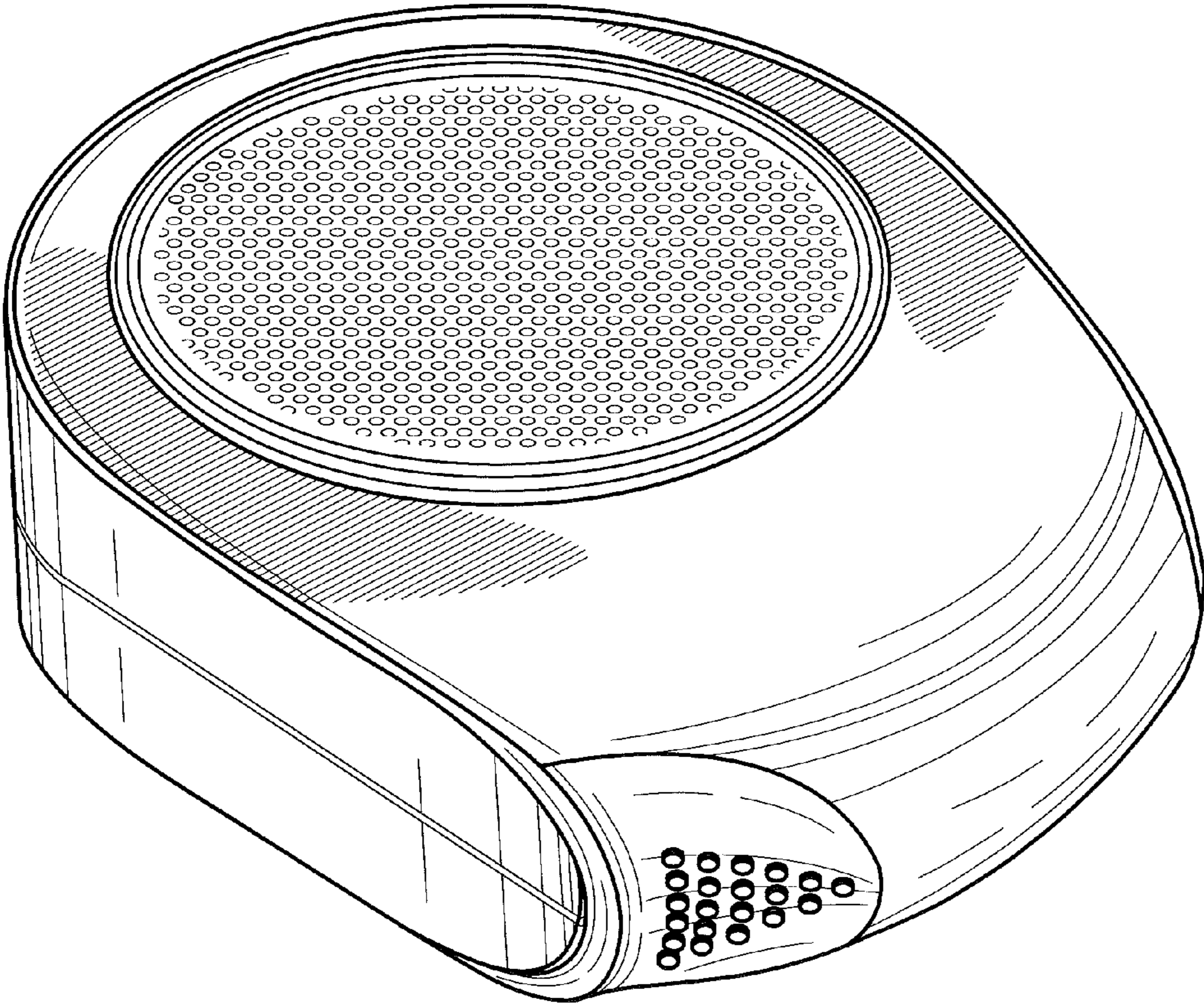


FIG. 2

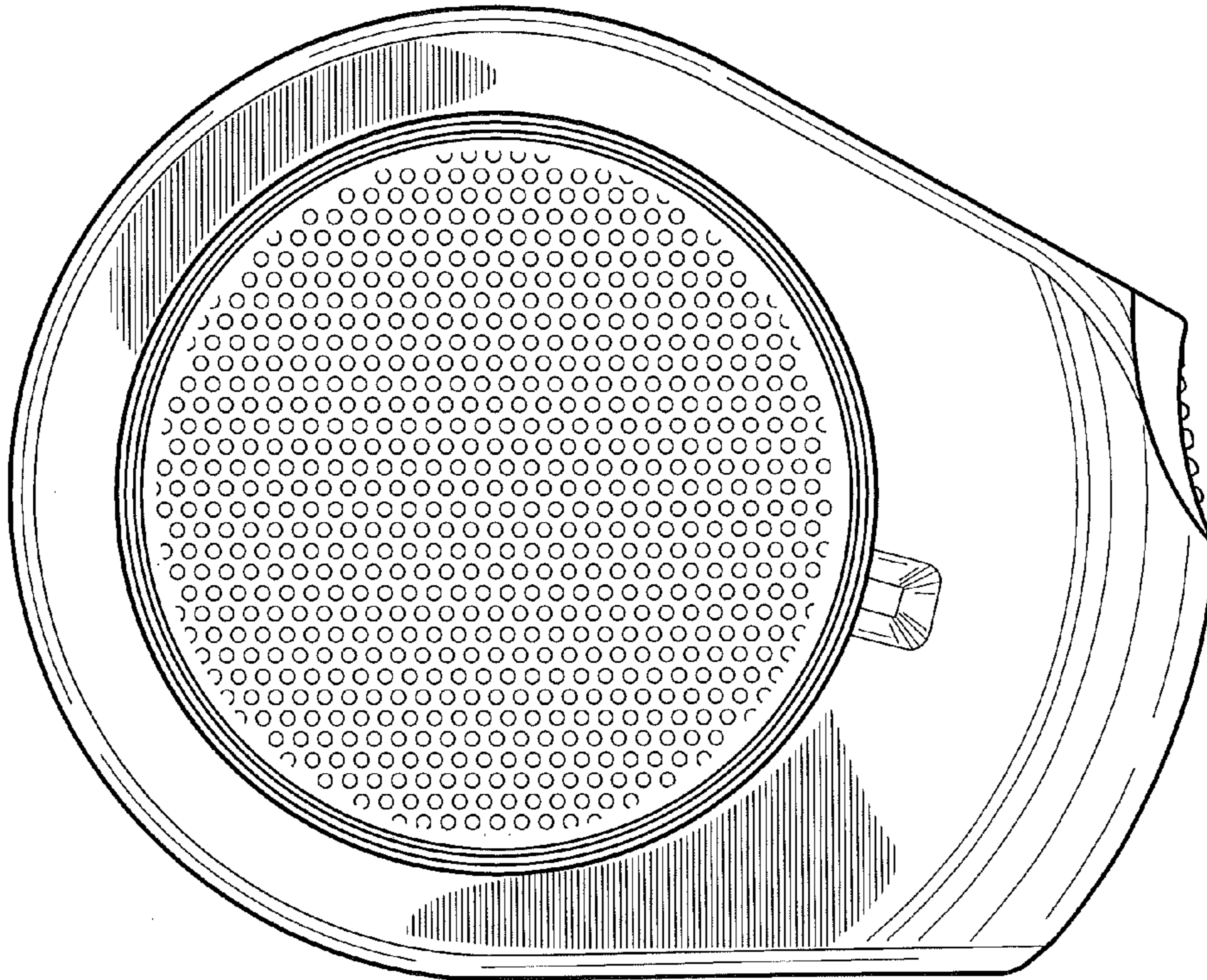


FIG. 3

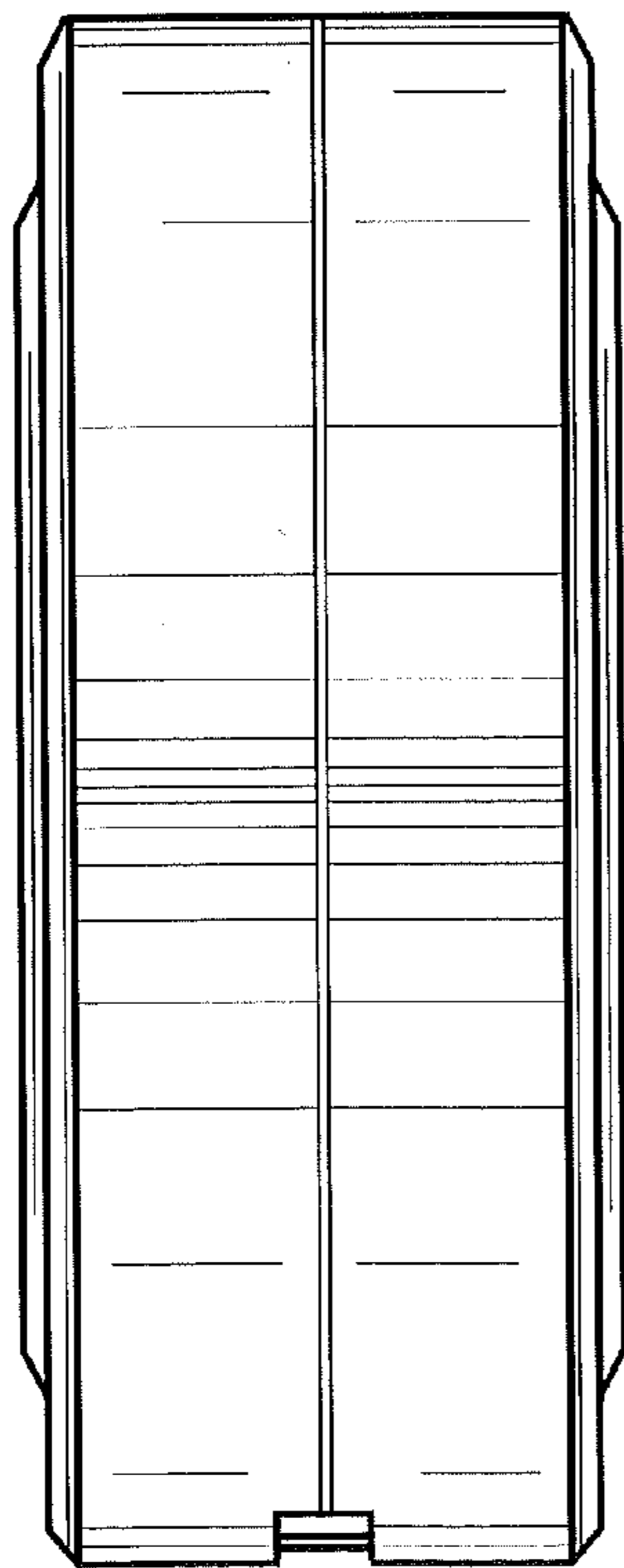


FIG. 4

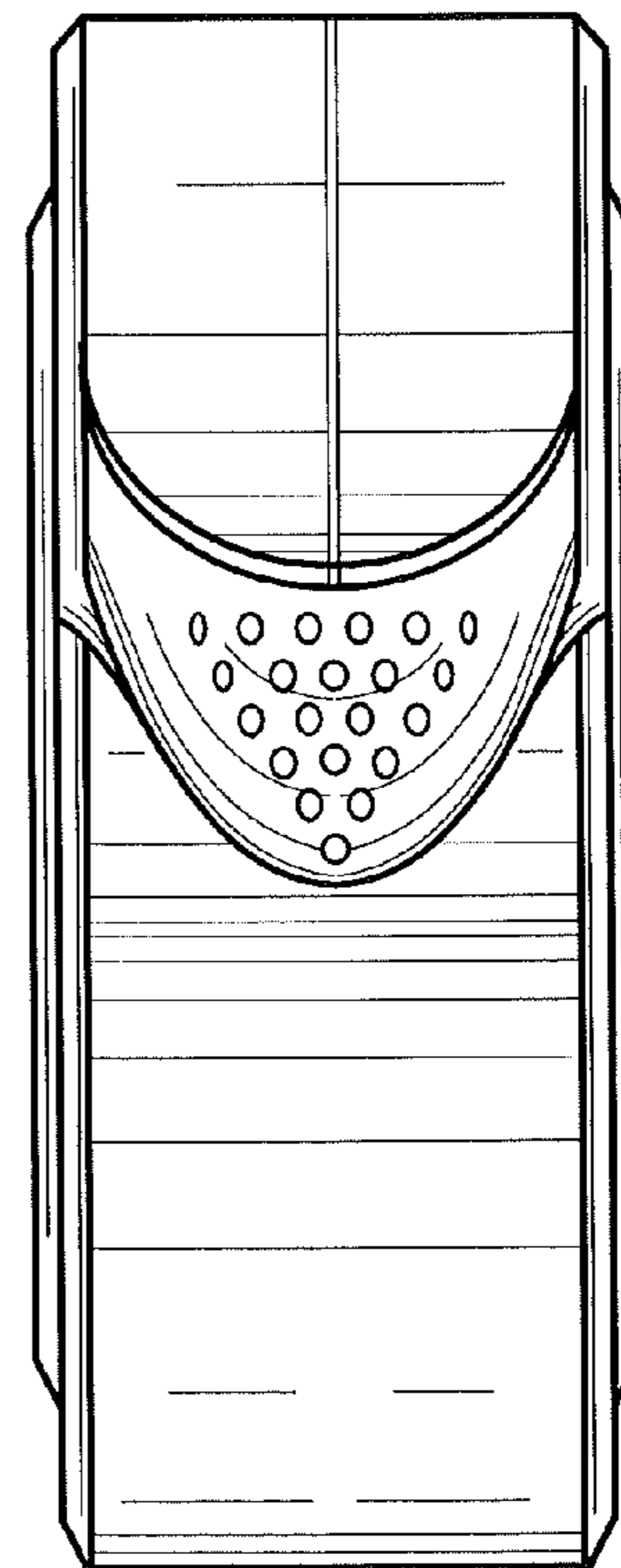


FIG. 5

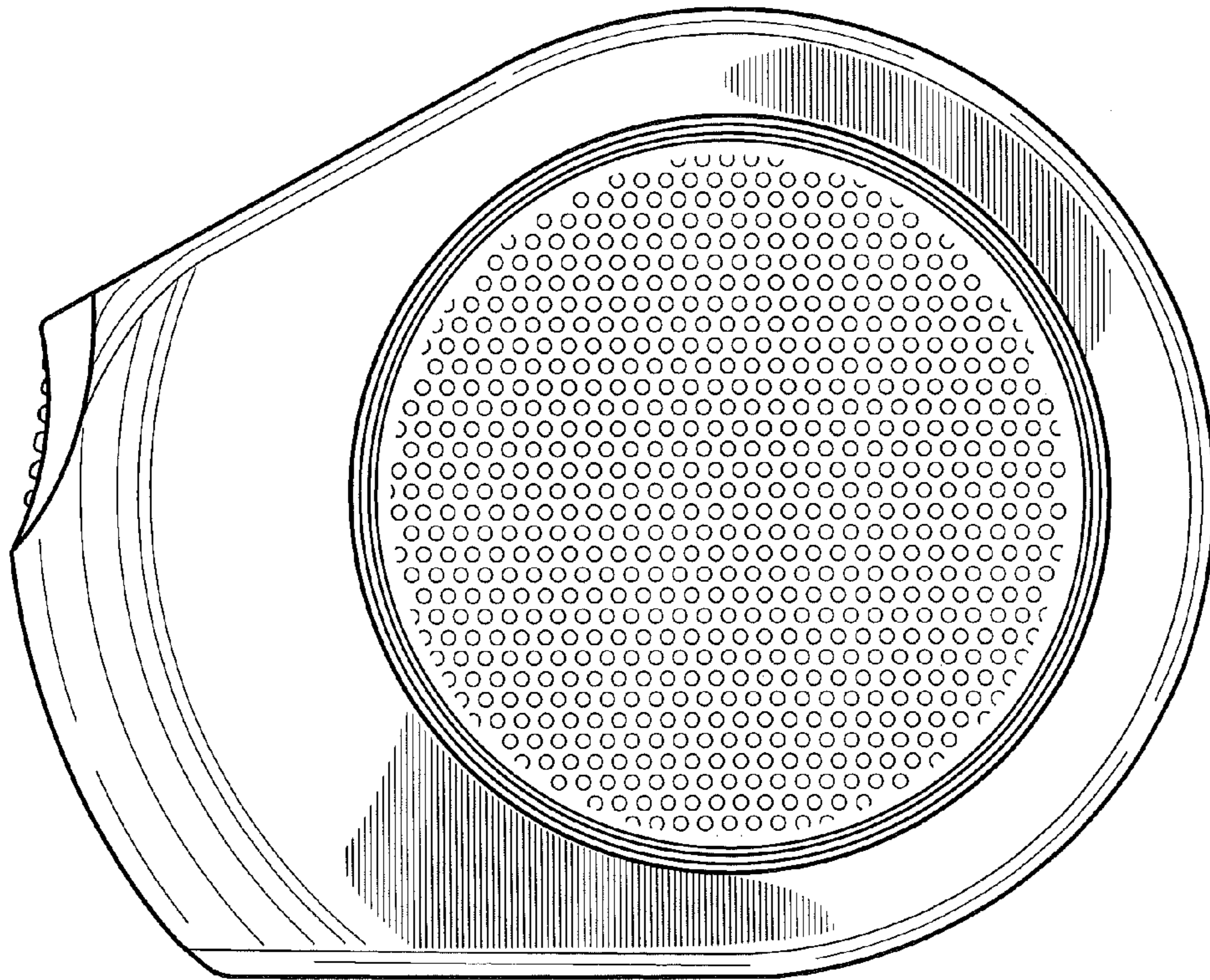


FIG. 6

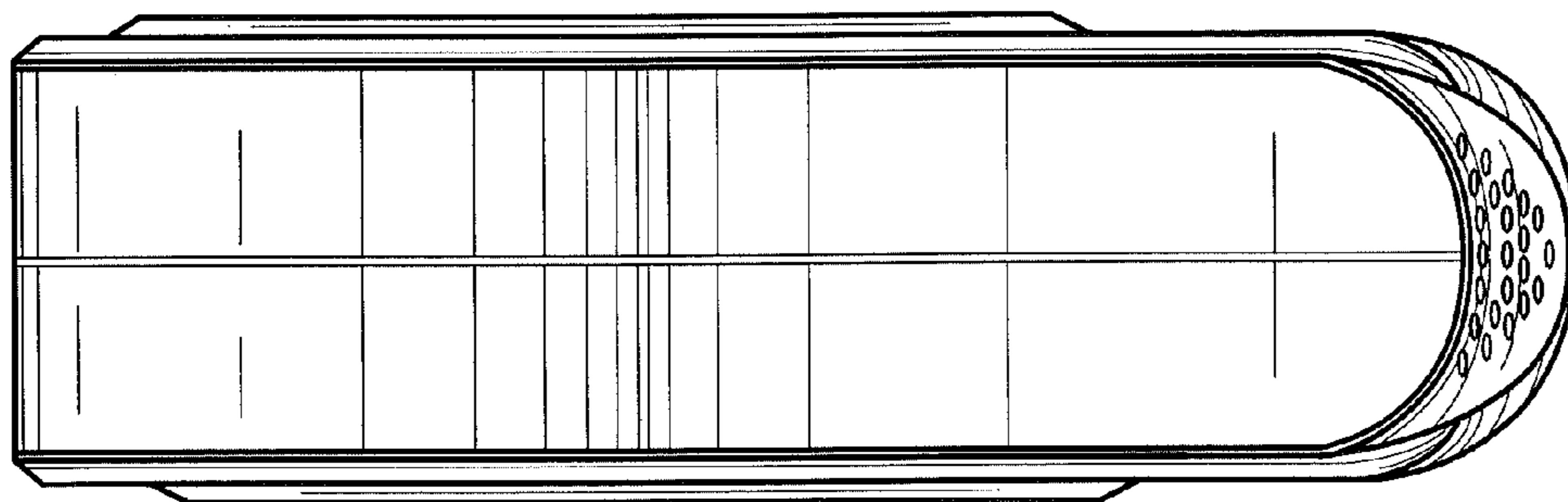


FIG. 7

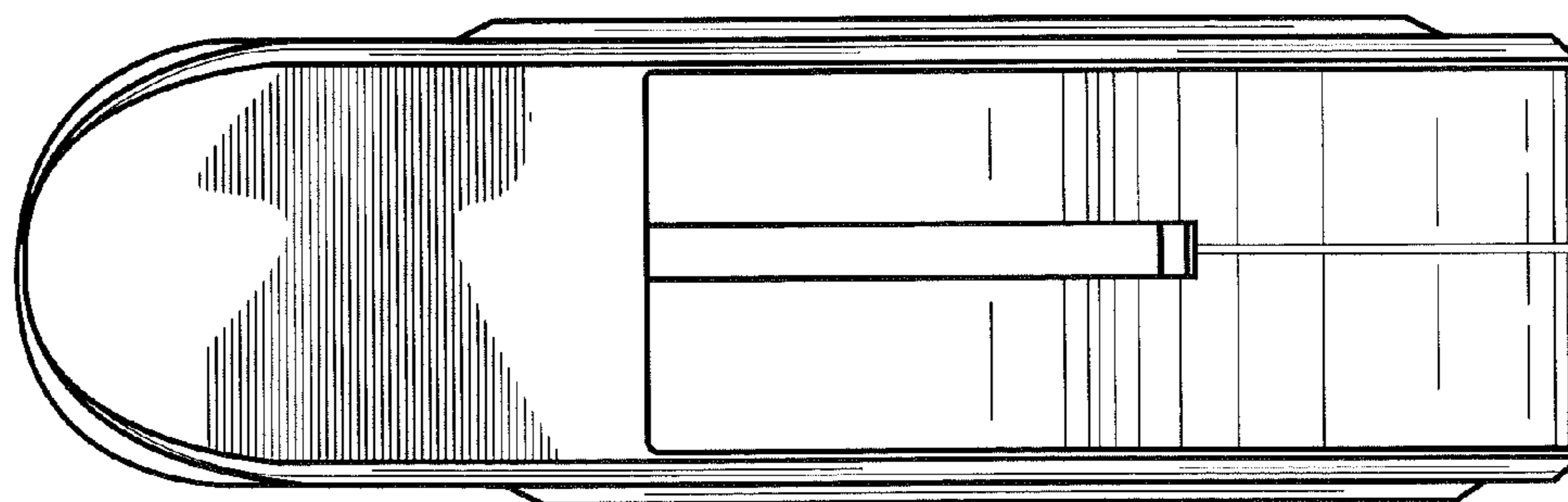


FIG. 8

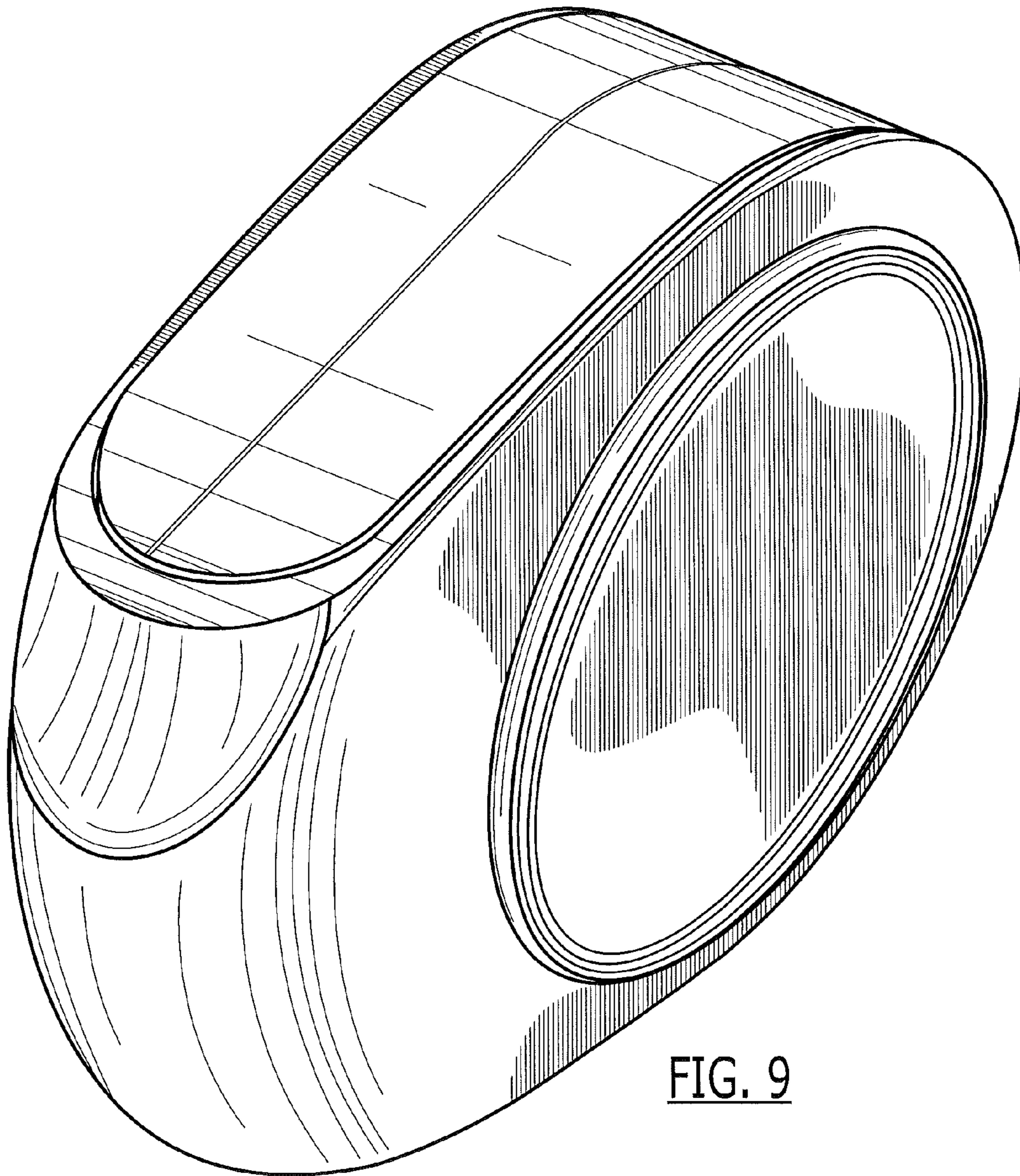


FIG. 9

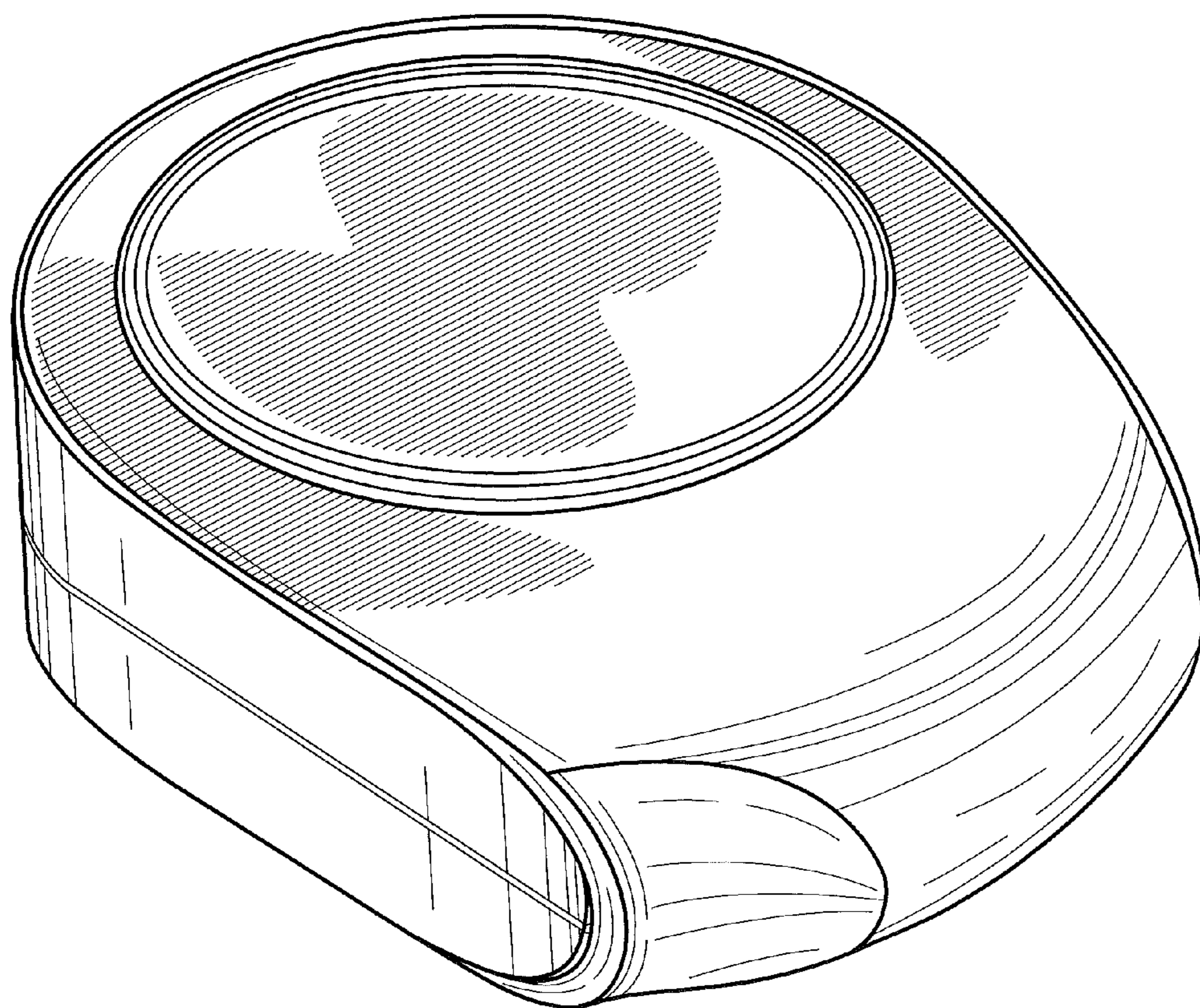


FIG. 10



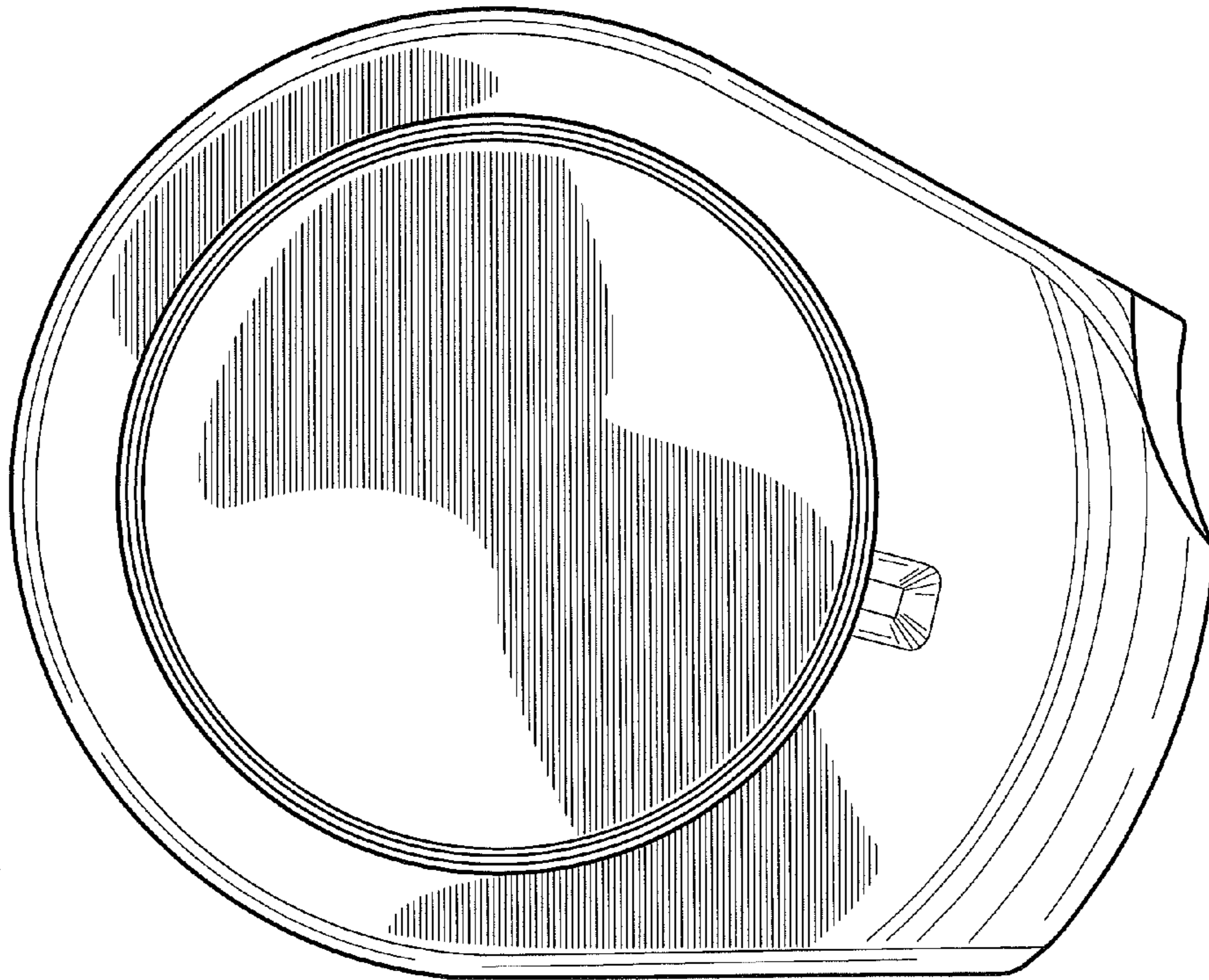


FIG. 11

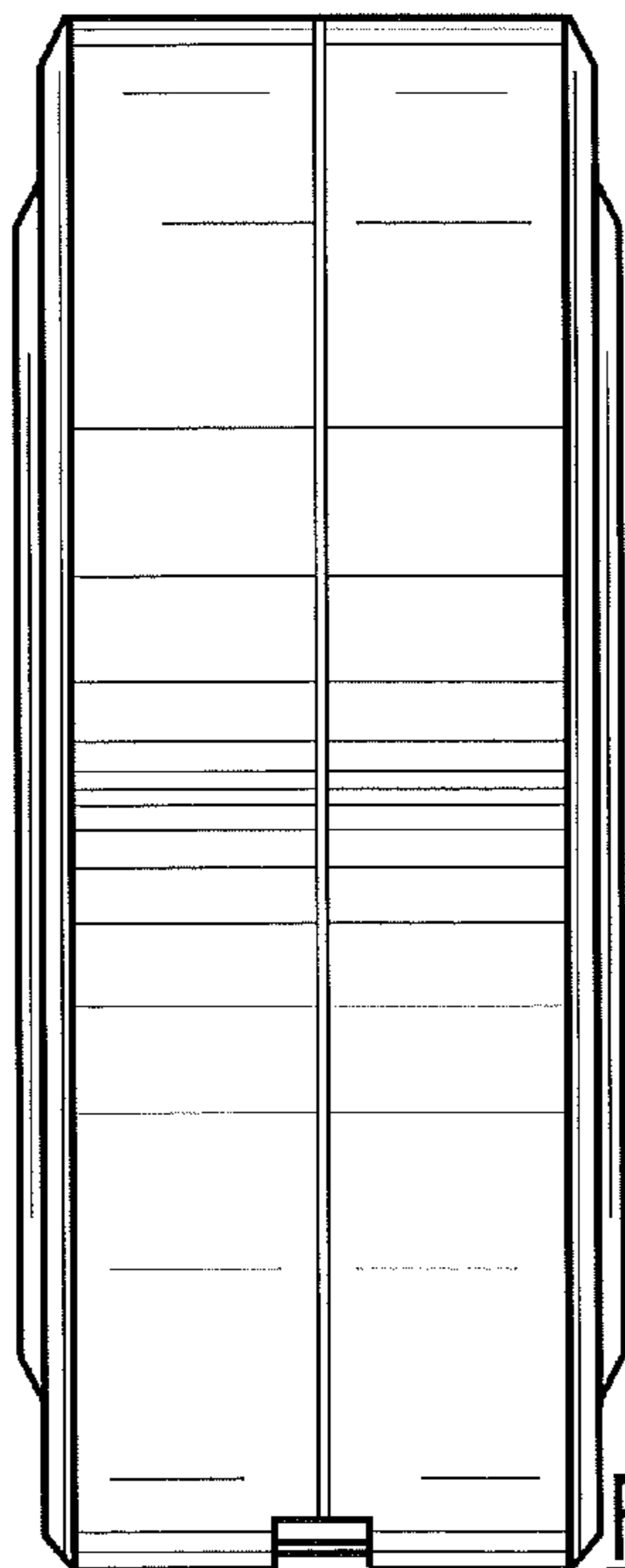


FIG. 12

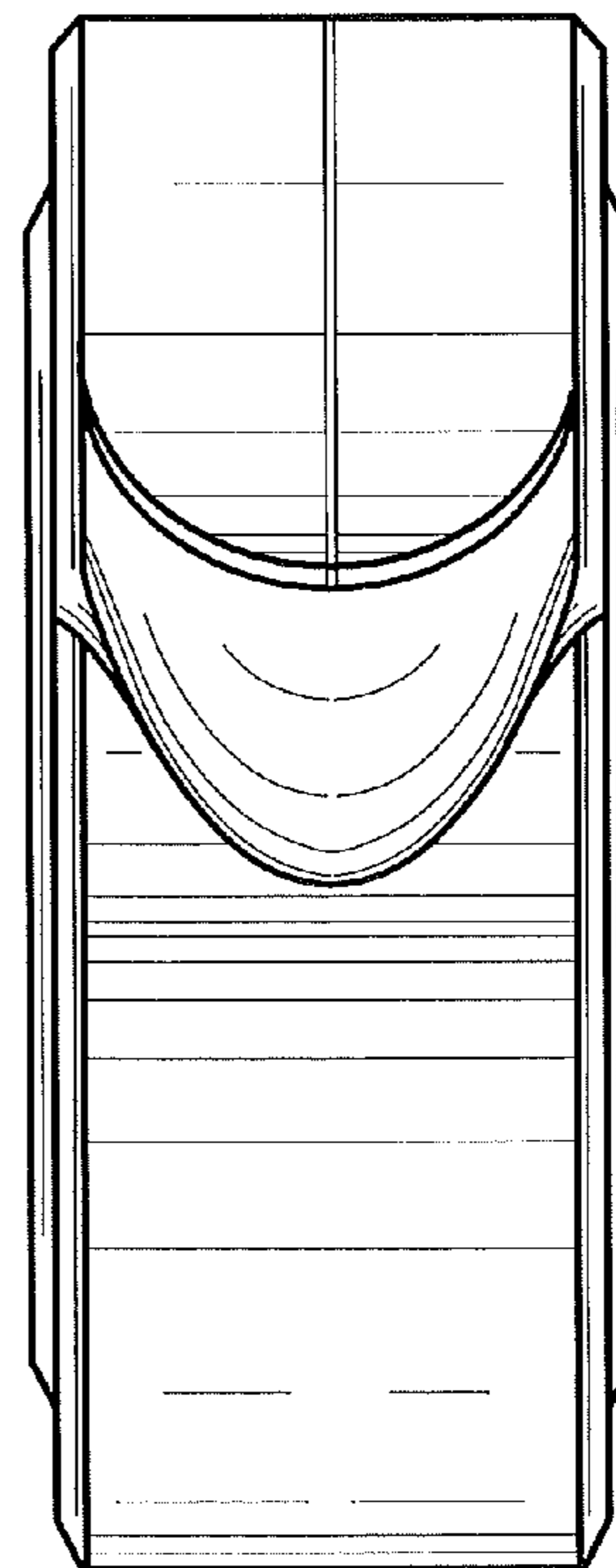


FIG. 13

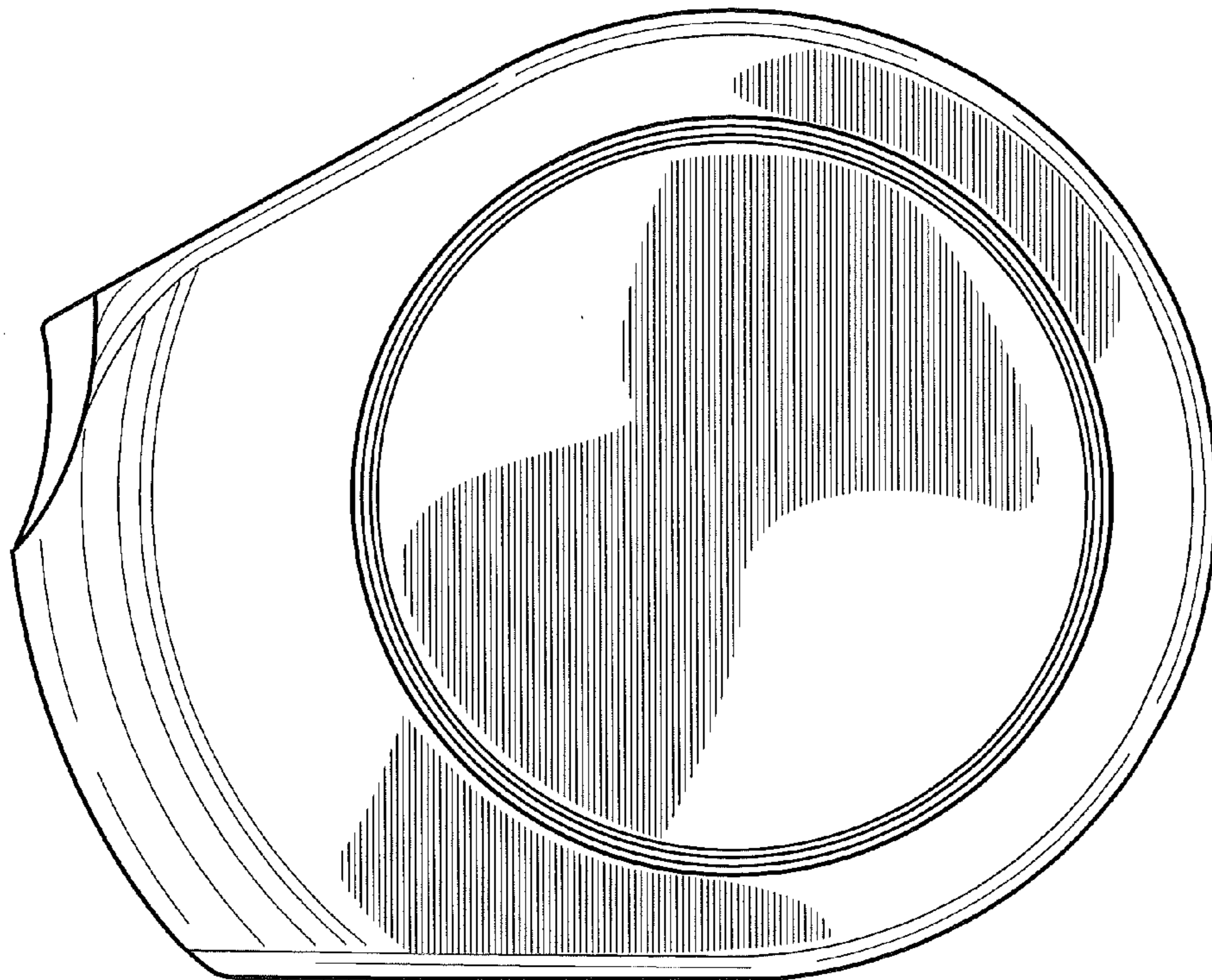


FIG. 14

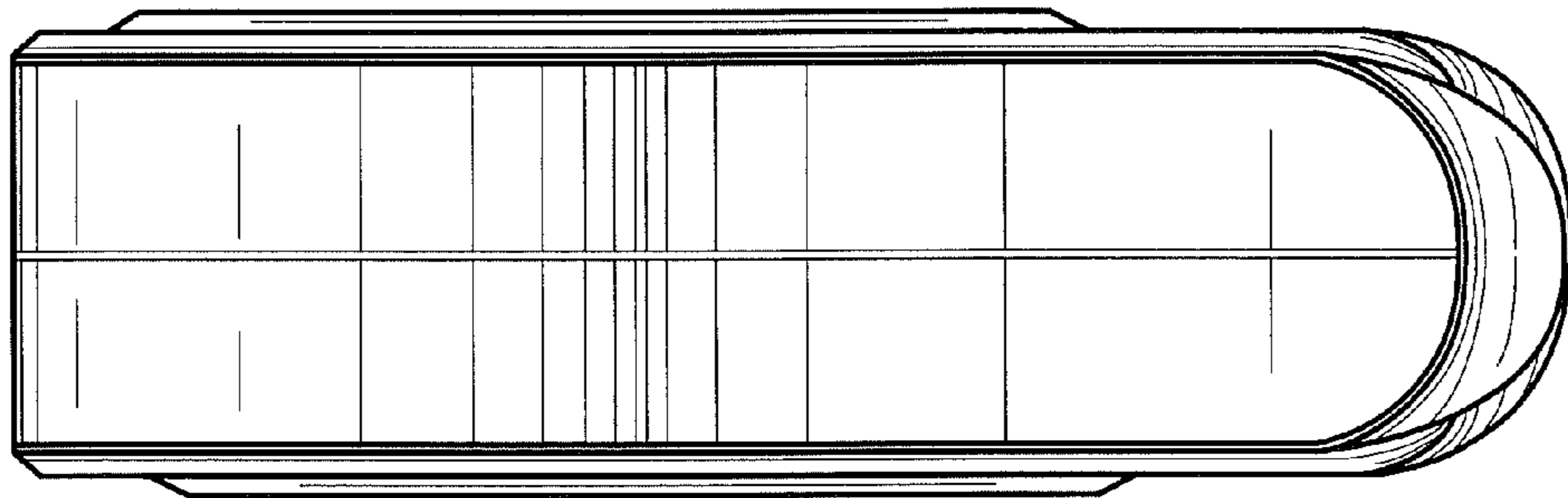


FIG. 15

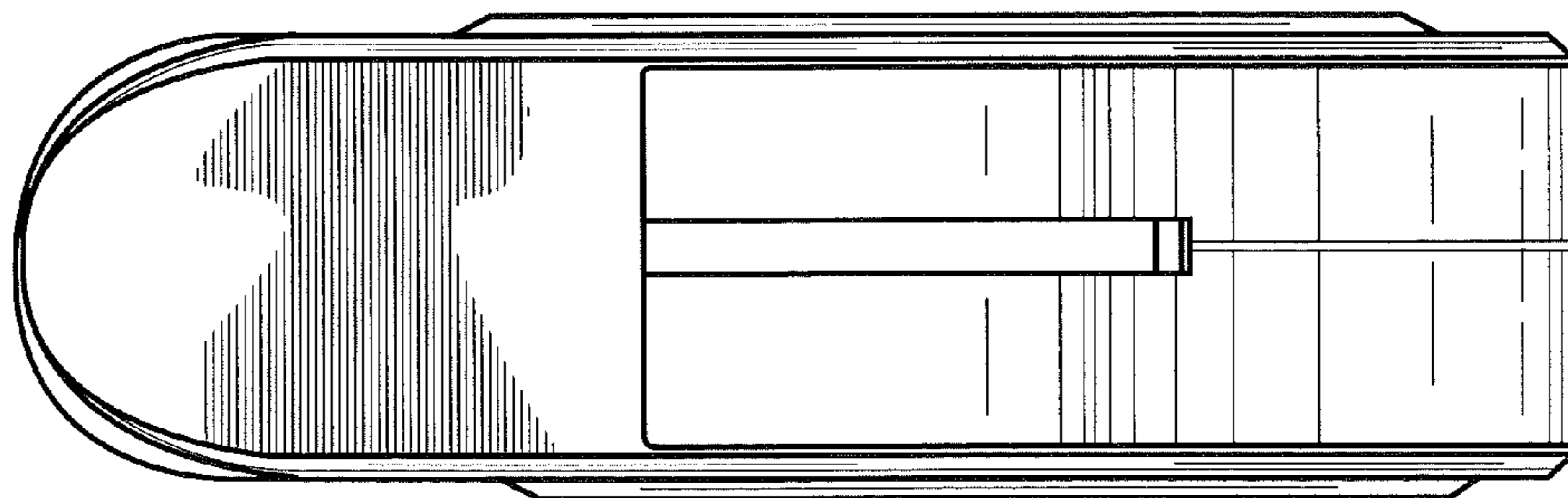


FIG. 16