



US00D641075S

(12) **United States Design Patent**  
**Fizer et al.**

(10) **Patent No.:** **US D641,075 S**  
(45) **Date of Patent:** **\*\* Jul. 5, 2011**

(54) **FAN WITH GROUND SUPPORT AND WINGLETS**

(75) Inventors: **Richard W. Fizer**, Lexington, KY (US);  
**Richard A. Oleson**, Lexington, KY (US)

(73) Assignee: **Delta T Corporation**, Lexington, KY (US)

(\*) Notice: This patent is subject to a terminal disclaimer.

(\*\*) Term: **14 Years**

(21) Appl. No.: **29/356,980**

(22) Filed: **Mar. 5, 2010**

(51) **LOC (9) Cl.** ..... **23-04**

(52) **U.S. Cl.** ..... **D23/411**

(58) **Field of Classification Search** ..... D23/377,  
D23/379, 385, 411, 413; 416/5, 210 R  
See application file for complete search history.

2009/0097975 A1 4/2009 Aynsley et al.  
2009/0162197 A1 6/2009 Klemo et al.  
2009/0208333 A1 8/2009 Smith et al.  
2010/0104461 A1 4/2010 Smith et al.

**FOREIGN PATENT DOCUMENTS**

WO WO 2009/100052 8/2009

**OTHER PUBLICATIONS**

U.S. Appl. No. 29/356,978, filed Mar. 5, 2010, Fizer et al.  
U.S. Appl. No. 61/165,582, filed Apr. 1, 2009, Woolcott.  
U.S. Appl. No. 61/248,258, filed Oct. 2, 2009, Aynsley.  
U.S. Appl. No. 61/310,512, filed Mar. 4, 2010, Toy.  
U.S. Appl. No. 61/326,855, filed Apr. 22, 2010, Fizer et al.

\* cited by examiner

*Primary Examiner* — Lisa Lichtenstein

(74) *Attorney, Agent, or Firm* — Frost Brown Todd LLC

(57) **CLAIM**

The ornamental design for a fan with ground support and winglets, as shown and described.

**DESCRIPTION**

FIG. 1 is a bottom perspective view of a fan with ground support and winglets, showing our new design;

FIG. 2 is a top perspective view thereof;

FIG. 3 is a top plan view thereof;

FIG. 4 is a bottom plan view thereof;

FIG. 5 is a front elevational view thereof;

FIG. 6 is a right elevational view thereof;

FIG. 7 is a back elevational view thereof; and,

FIG. 8 is a left elevational view thereof.

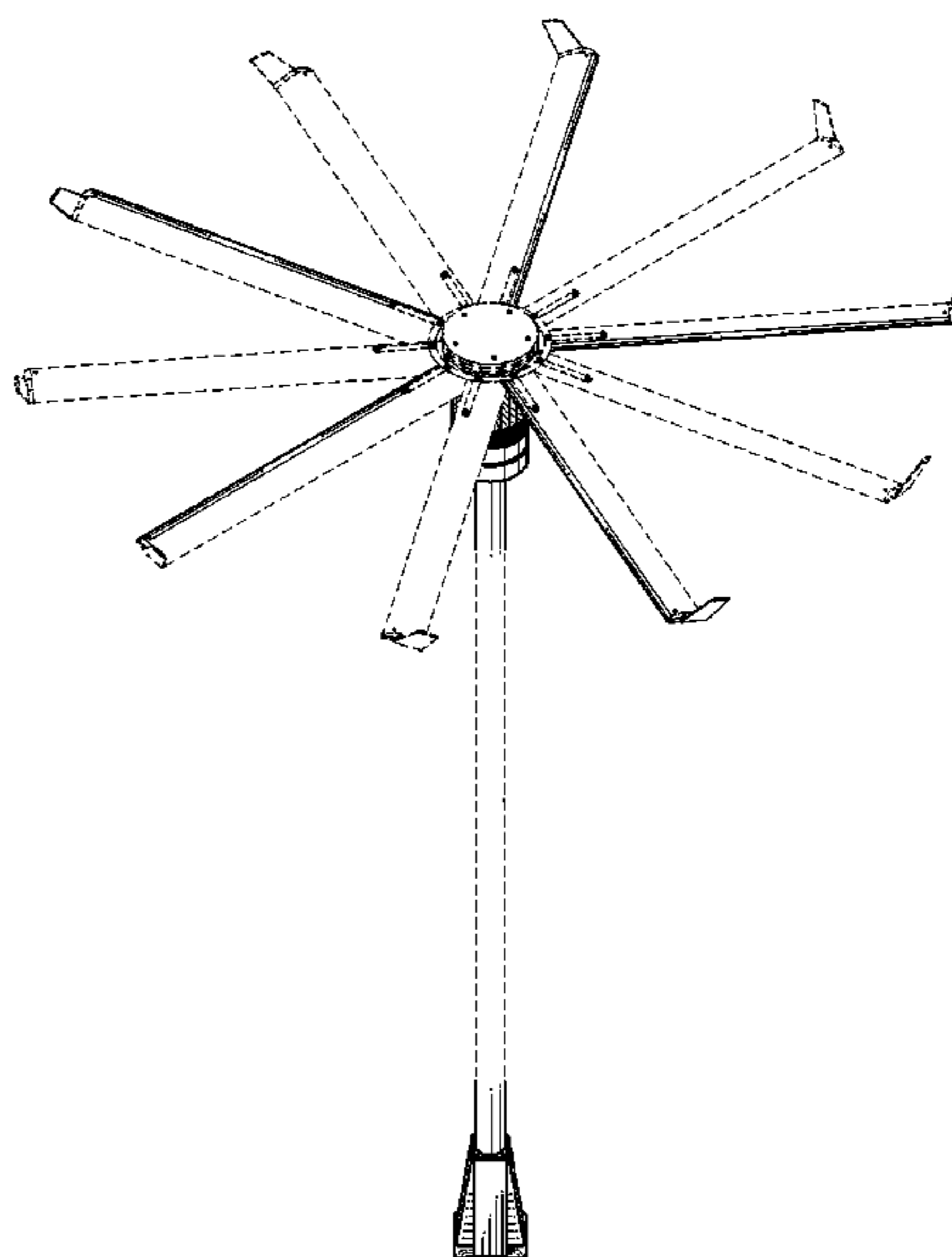
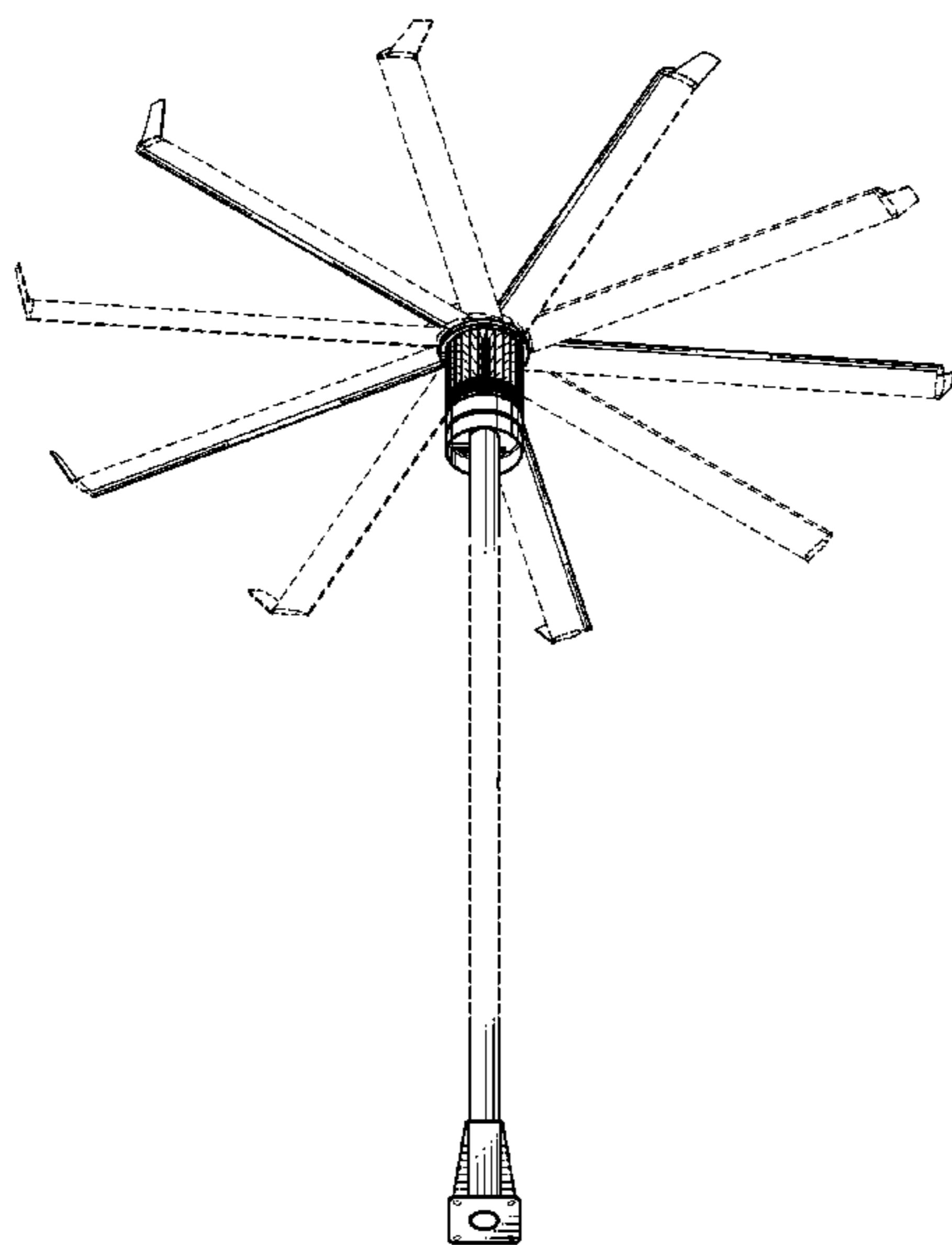
The support tube portions, fan blades, fan blade portions, winglets, winglet portions, upper plates, retainers, and fasteners shown in broken lines are unclaimed environment, and form no part of the claimed design.

**1 Claim, 8 Drawing Sheets**

(56) **References Cited**

**U.S. PATENT DOCUMENTS**

D298,454 S *	11/1988	Clyde-Mason	.....	D23/385
D303,425 S *	9/1989	Sonneman	.....	D23/385
D345,790 S *	4/1994	Caldwell	.....	D23/377
6,244,821 B1	6/2001	Boyd		
6,939,108 B2	9/2005	Boyd		
7,252,478 B2	8/2007	Aynsley		
7,284,960 B2	10/2007	Aynsley		
D587,799 S	3/2009	Oleson		
D607,988 S	1/2010	Oleson et al.		
2008/0008596 A1	1/2008	Aynsley		
2008/0014090 A1	1/2008	Aynsley et al.		
2008/0213097 A1	9/2008	Oleson et al.		
2009/0072108 A1	3/2009	Oleson		
2009/0081045 A1	3/2009	Scherer et al.		



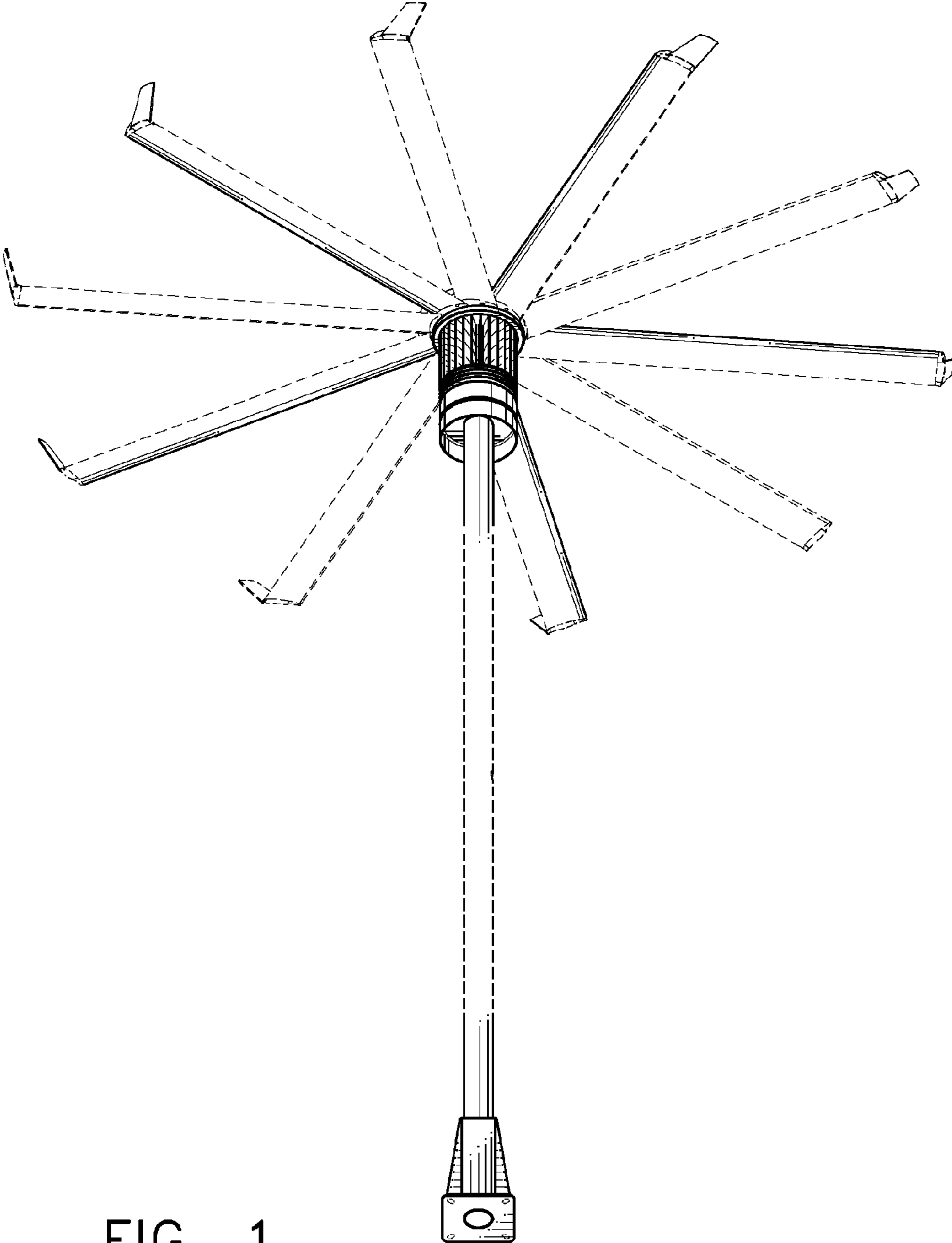


FIG. 1

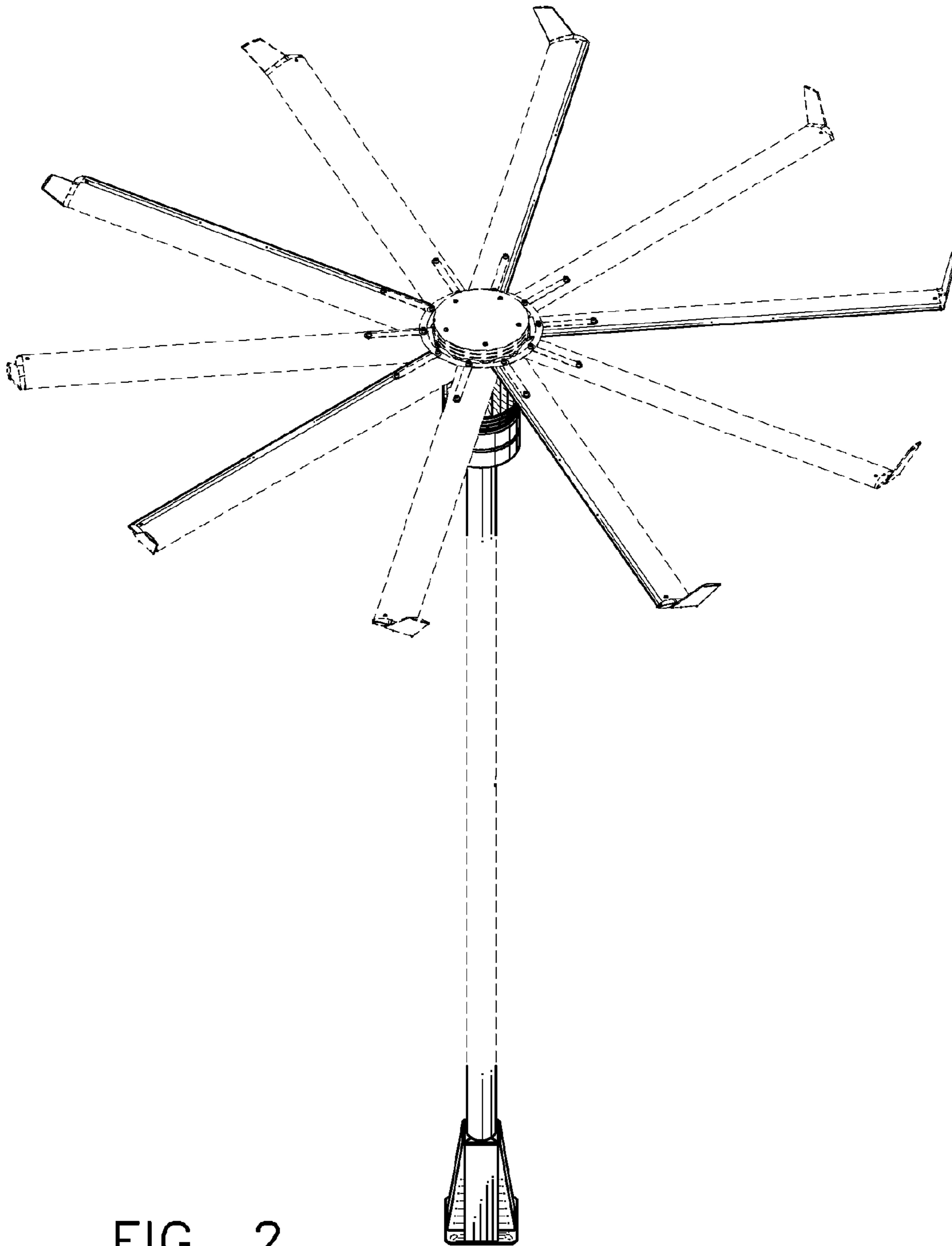


FIG. 2

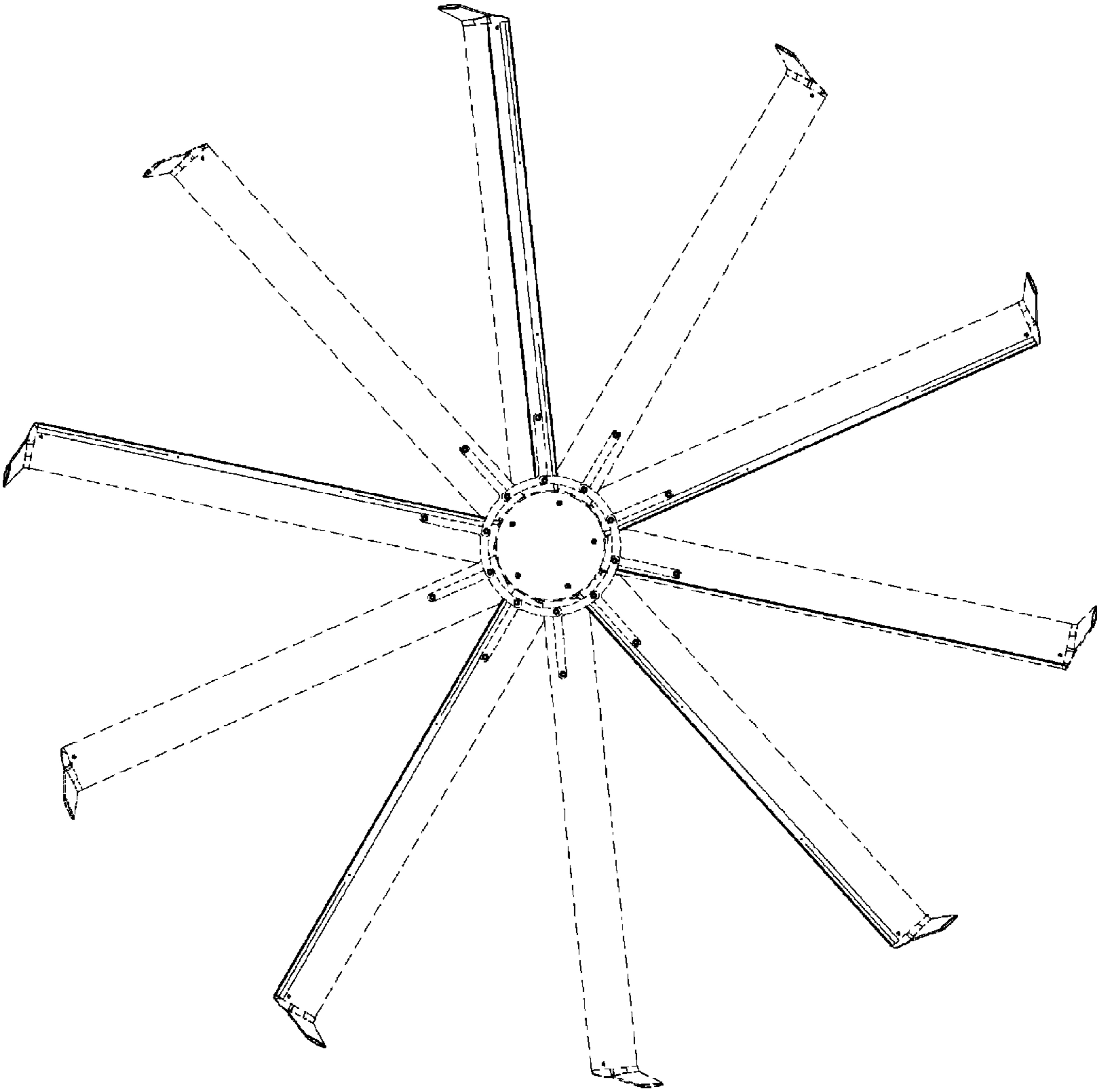


FIG. 3

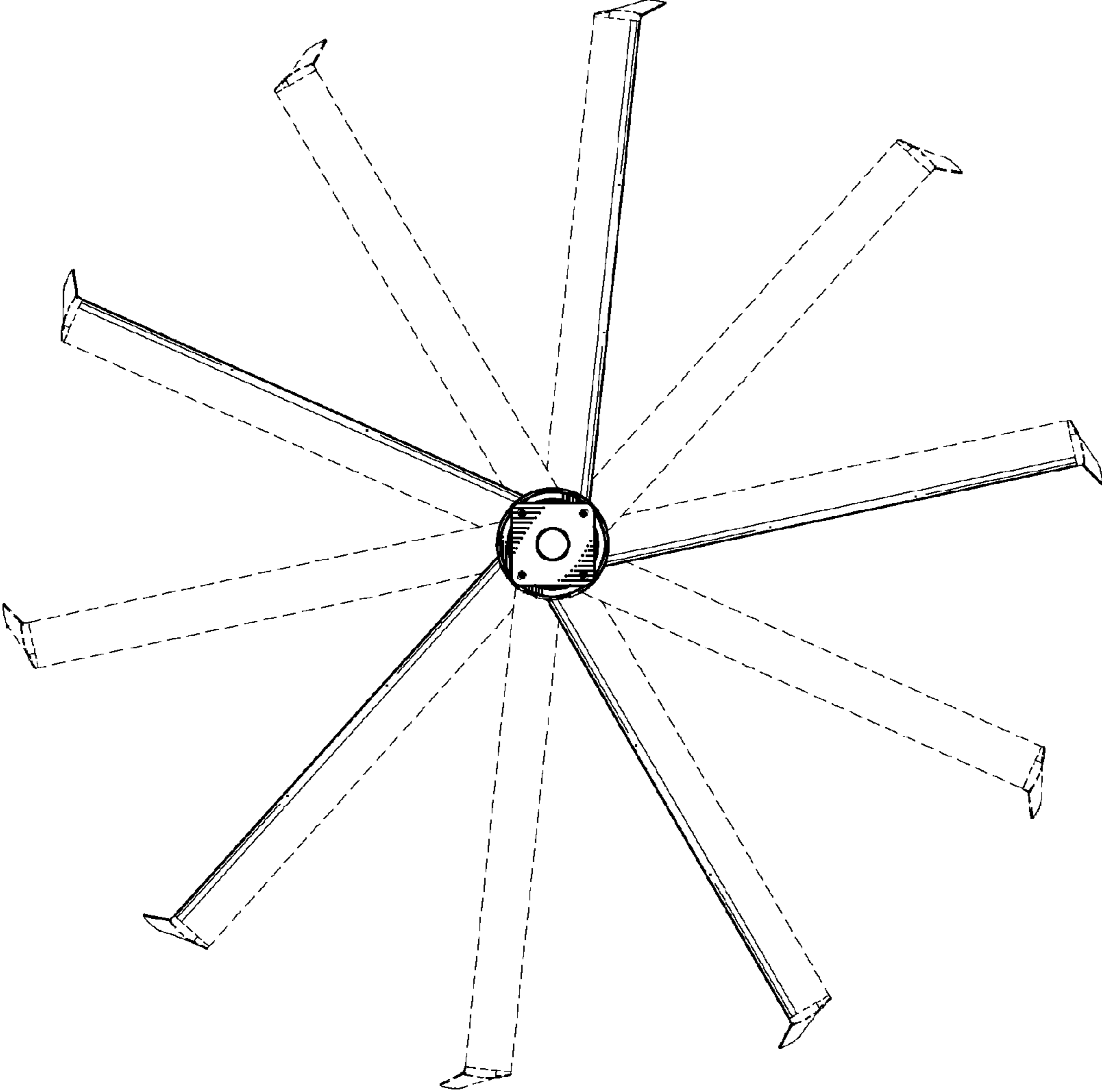
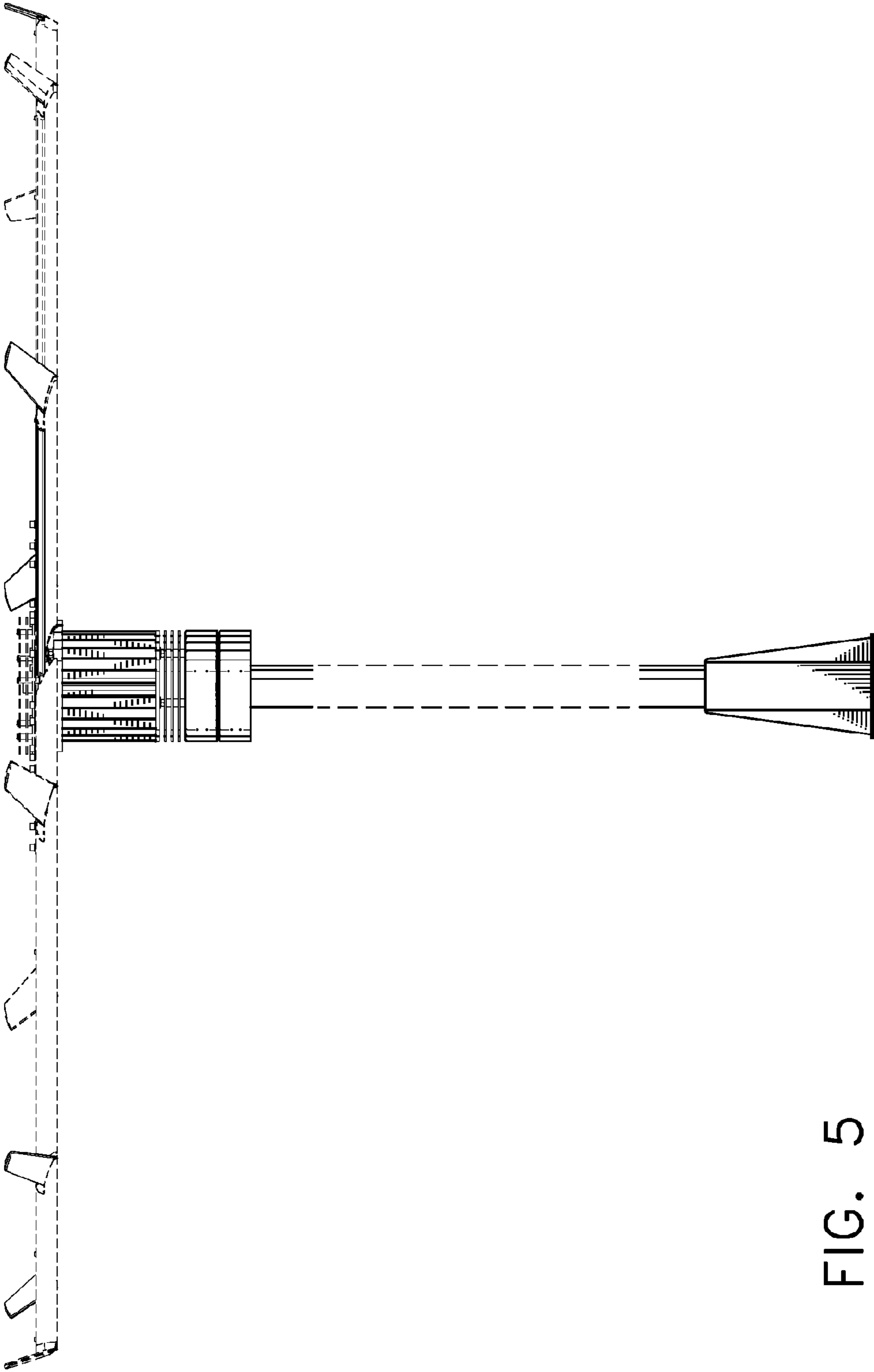


FIG. 4



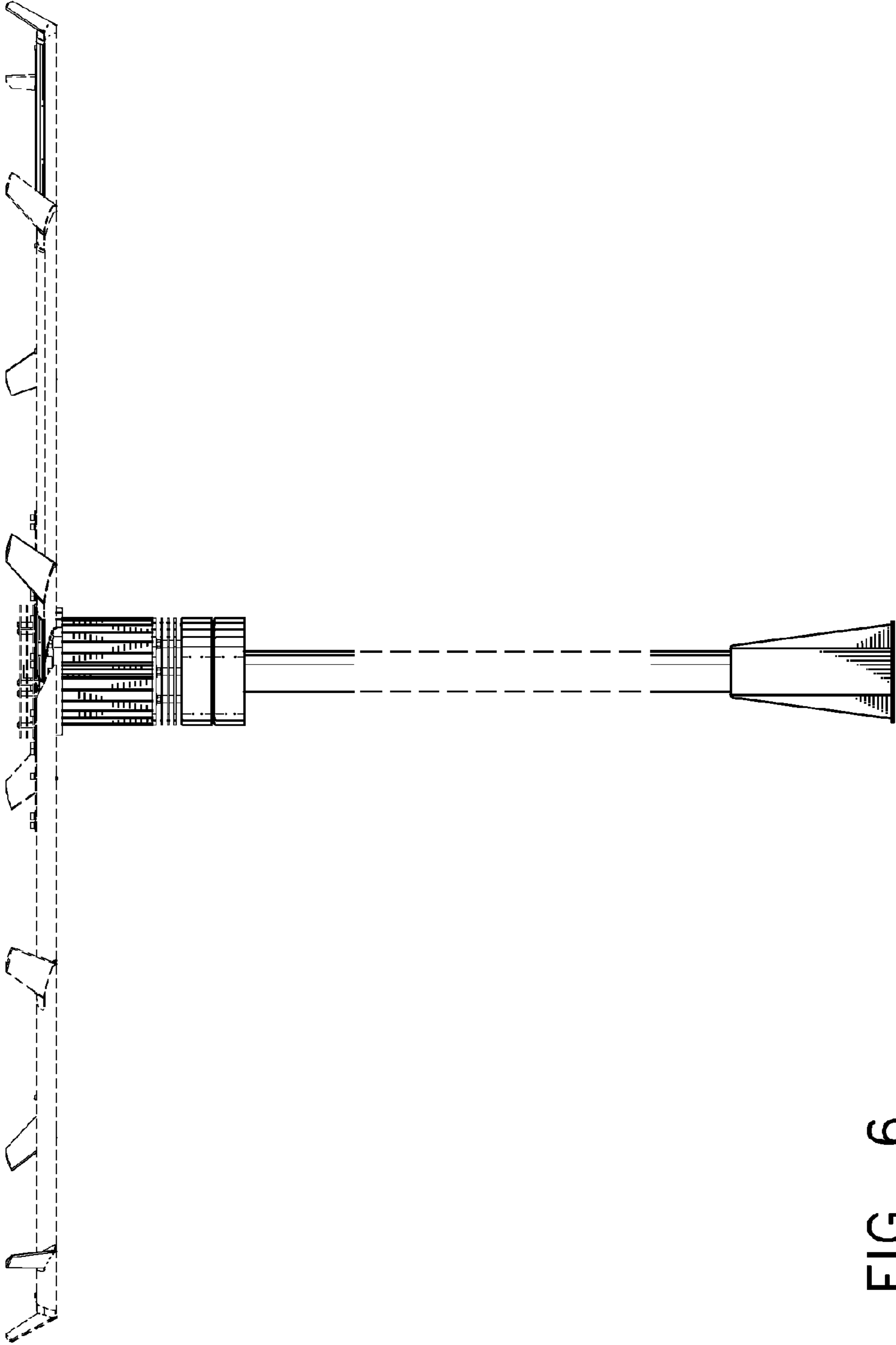


FIG. 6

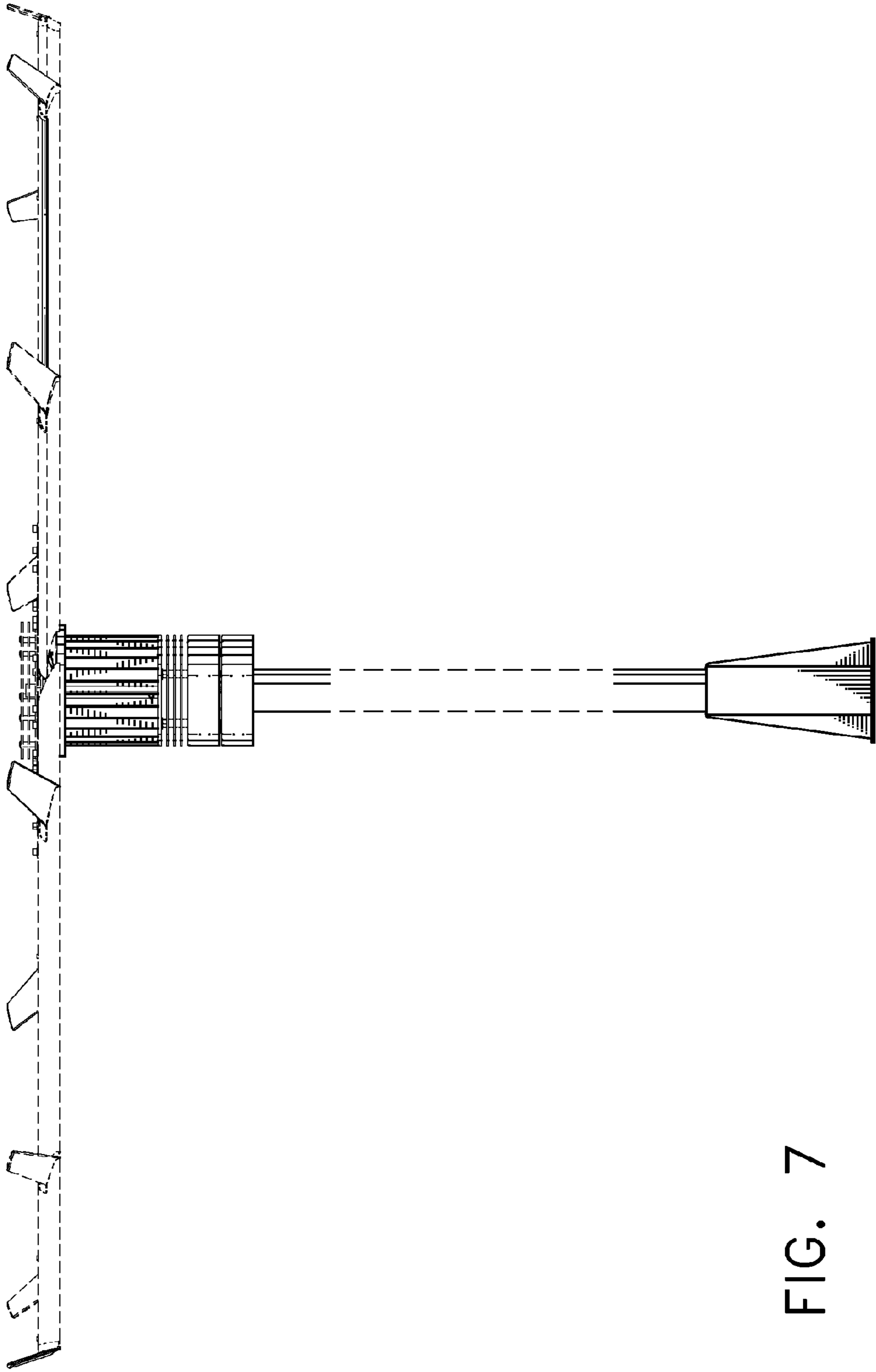


FIG. 7



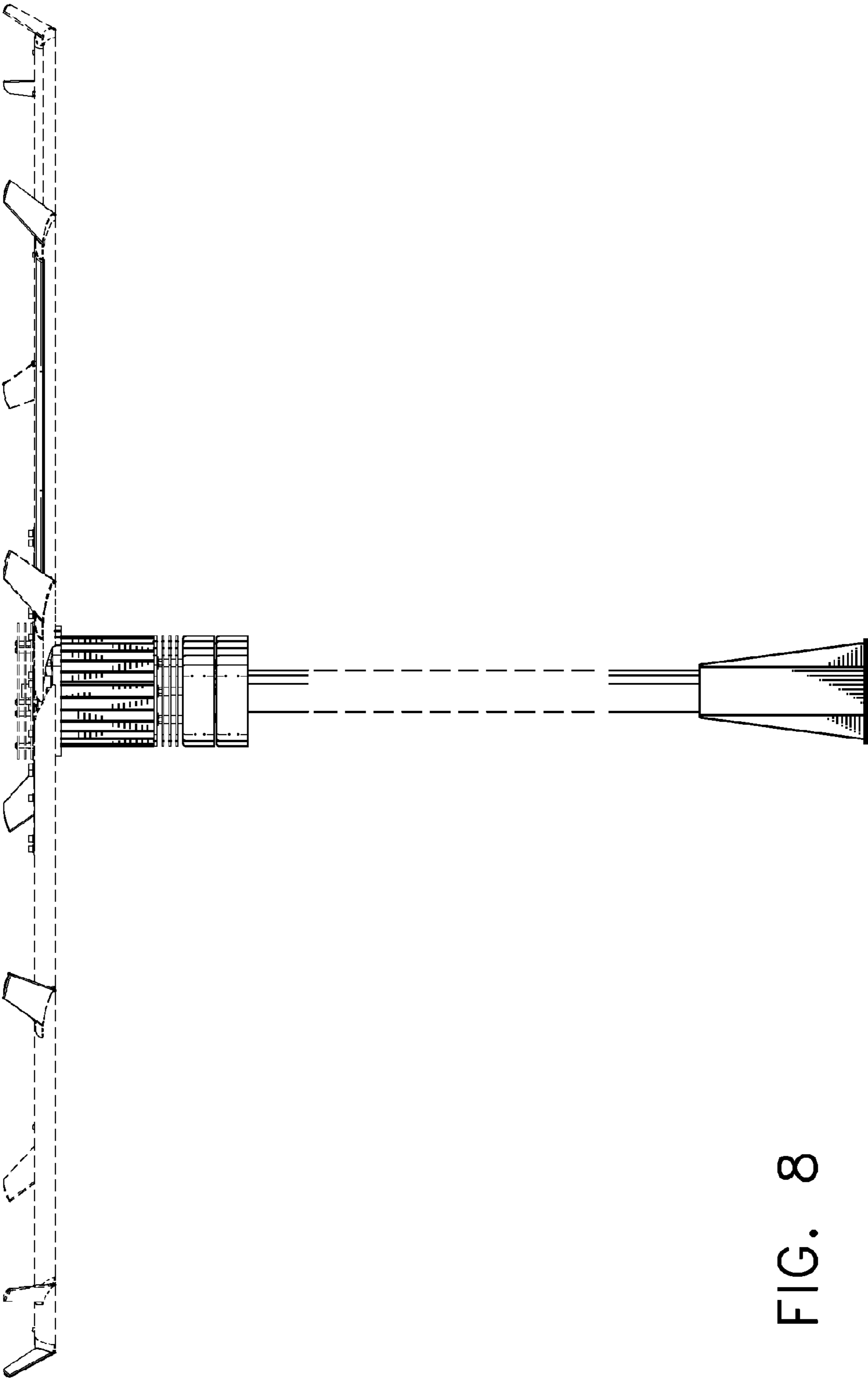


FIG. 8