



US00D641073S

(12) **United States Design Patent**
Booth

(10) **Patent No.:** **US D641,073 S**

(45) **Date of Patent:** **** Jul. 5, 2011**

(54) **SINK**

(75) Inventor: **Shawn J. Booth**, Sheboygan, WI (US)

(73) Assignee: **Kohler Co.**, Kohler, WI (US)

(**) Term: **14 Years**

(21) Appl. No.: **29/385,986**

(22) Filed: **Feb. 23, 2011**

Related U.S. Application Data

(63) Continuation of application No. 29/365,941, filed on Jul. 16, 2010, now Pat. No. Des. 634,826.

(51) **LOC (9) Cl.** **23-02**

(52) **U.S. Cl.** **D23/308**

(58) **Field of Classification Search** D23/272-274,
D23/284, 286-287, 290, 293.1, 303, 308;
4/619, 639, 642

See application file for complete search history.

(56) **References Cited**

U.S. PATENT DOCUMENTS

D345,784 S *	4/1994	O'Connell et al.	D23/284
D351,221 S	10/1994	Berge et al.		
D504,169 S *	4/2005	Gross et al.	D23/284
D545,408 S *	6/2007	Plikuhn	D23/284
D552,222 S *	10/2007	Tortorello	D23/284
D552,721 S *	10/2007	Kurth et al.	D23/284
D610,659 S *	2/2010	Booth	D23/290
D634,826 S *	3/2011	Booth	D23/290

OTHER PUBLICATIONS

American Standard Kitchen Fixtures Sink Undermount, Shallow Double Bowl Holes: 4 Bone.

Kohler Co., Woodfield Smart Divide Kitchen Sink, Product Diagram. Blanco Supreme 1.75 Bowl Drop-In, HomePortfolio.com online catalog, Copyright 1997-2010 HomePortfolio Inc.

Notice of Allowance, dated Nov. 16, 2010, for U.S. Appl. No. 29/365,941, filed Jul. 16, 2010.

* cited by examiner

Primary Examiner — Robert Delehanty

(74) *Attorney, Agent, or Firm* — Quarles & Brady LLP

(57) **CLAIM**

The ornamental design for a sink, as shown and described.

DESCRIPTION

FIG. 1 is a left, top, front perspective view of a sink according to my new design;

FIG. 2 is a top plan view thereof;

FIG. 3 is a front elevational view thereof with front side sink environment broken away, the claimed design being shown as viewed from line 3-3 of FIG. 2;

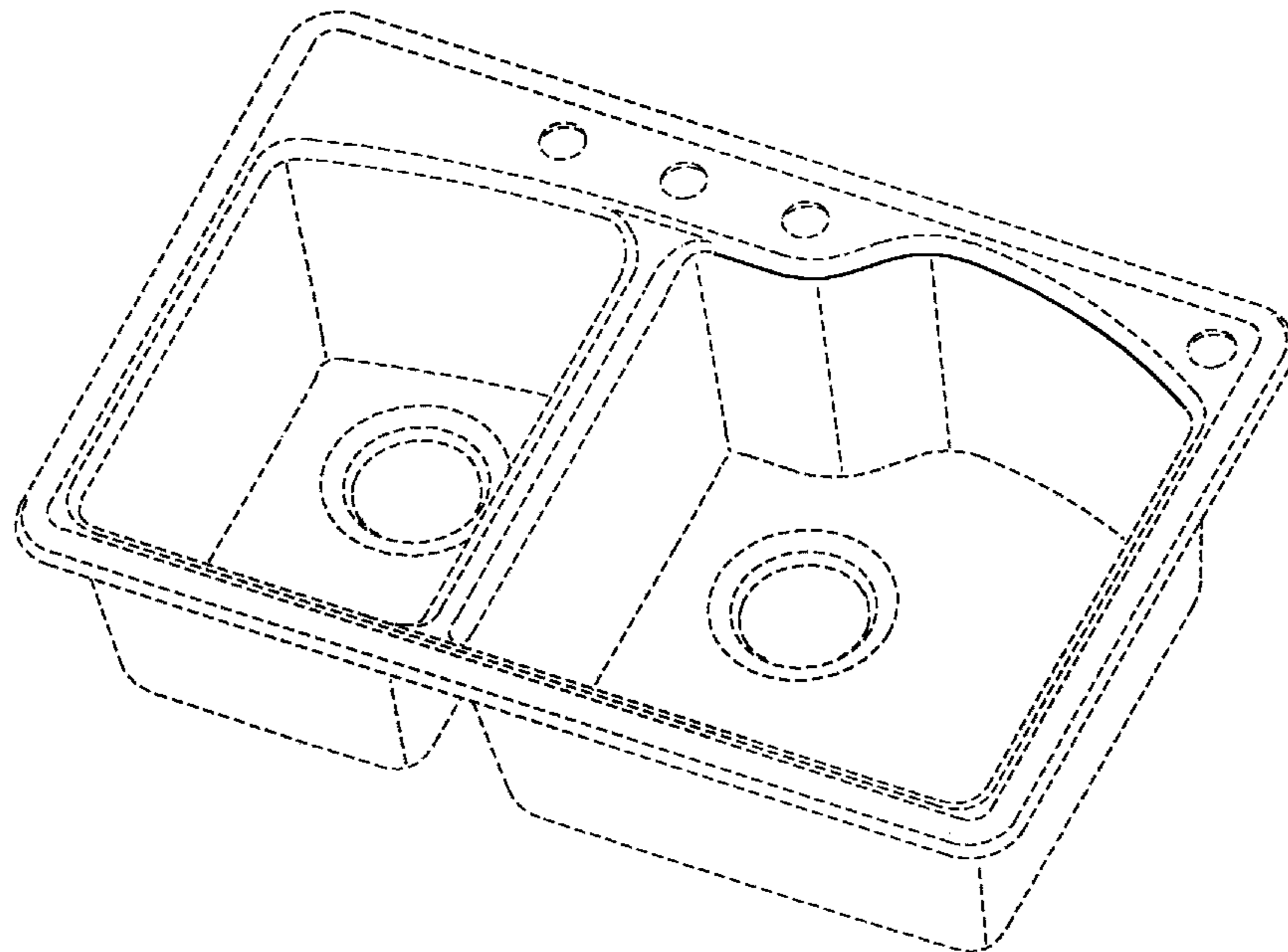
FIG. 4 is a right side elevational view thereof with right side sink environment broken away, the claimed design being shown as viewed from line 4-4 of FIG. 2;

FIG. 5 is a left side elevational view thereof with left side sink environment broken away, the claimed design being shown as viewed from line 5-5 of FIG. 2; and,

FIG. 6 is a right, top, front perspective view of a sink according to another embodiment of our my new design in which the top plan and front, right side and left side elevational views thereof are mirror images of the views shown in respective FIGS. 2-5.

The broken lines in the figures are for the purpose of illustrating unclaimed surfaces or environment of the design, which do not form part of the claim.

1 Claim, 5 Drawing Sheets



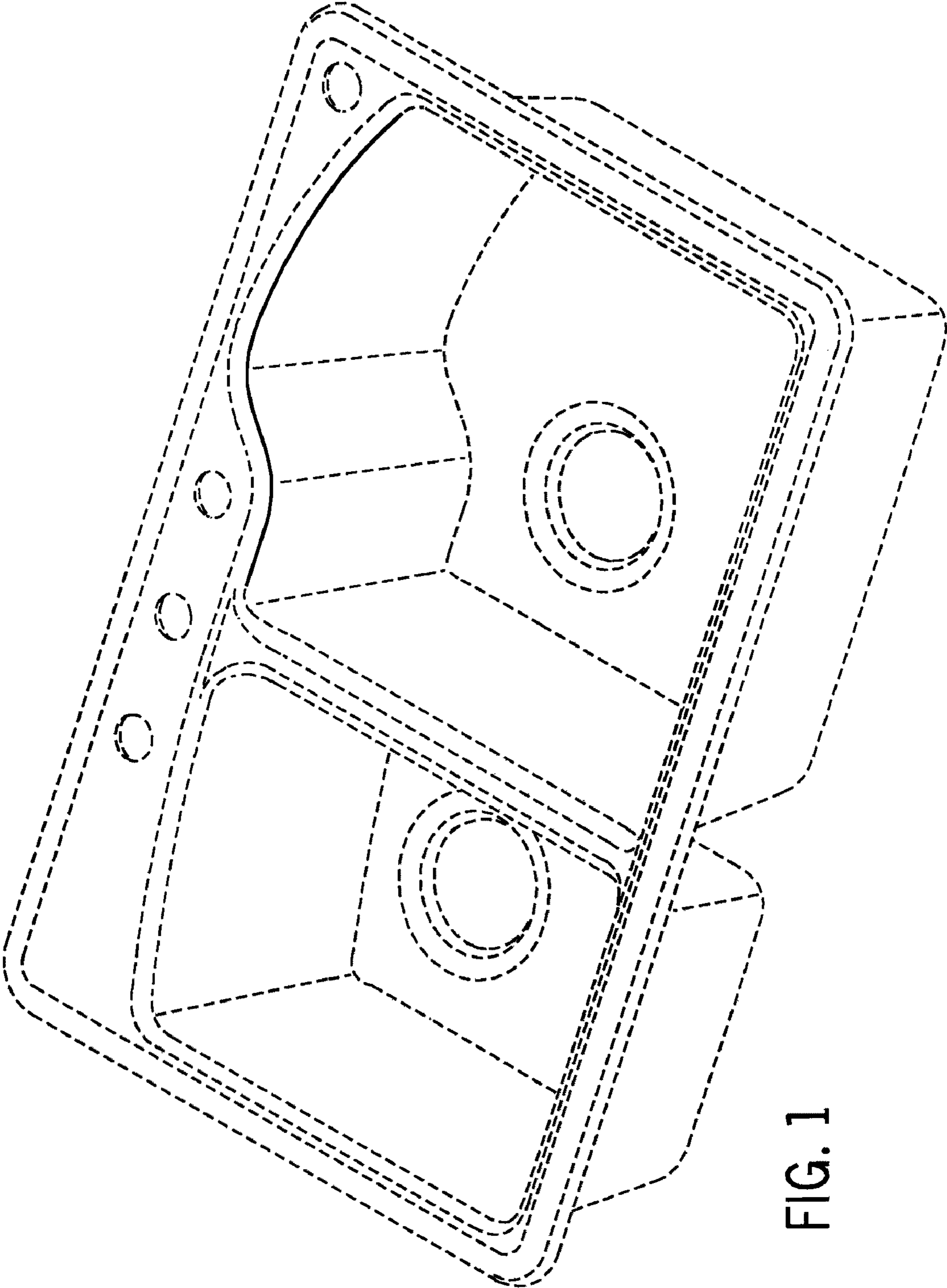


FIG. 1

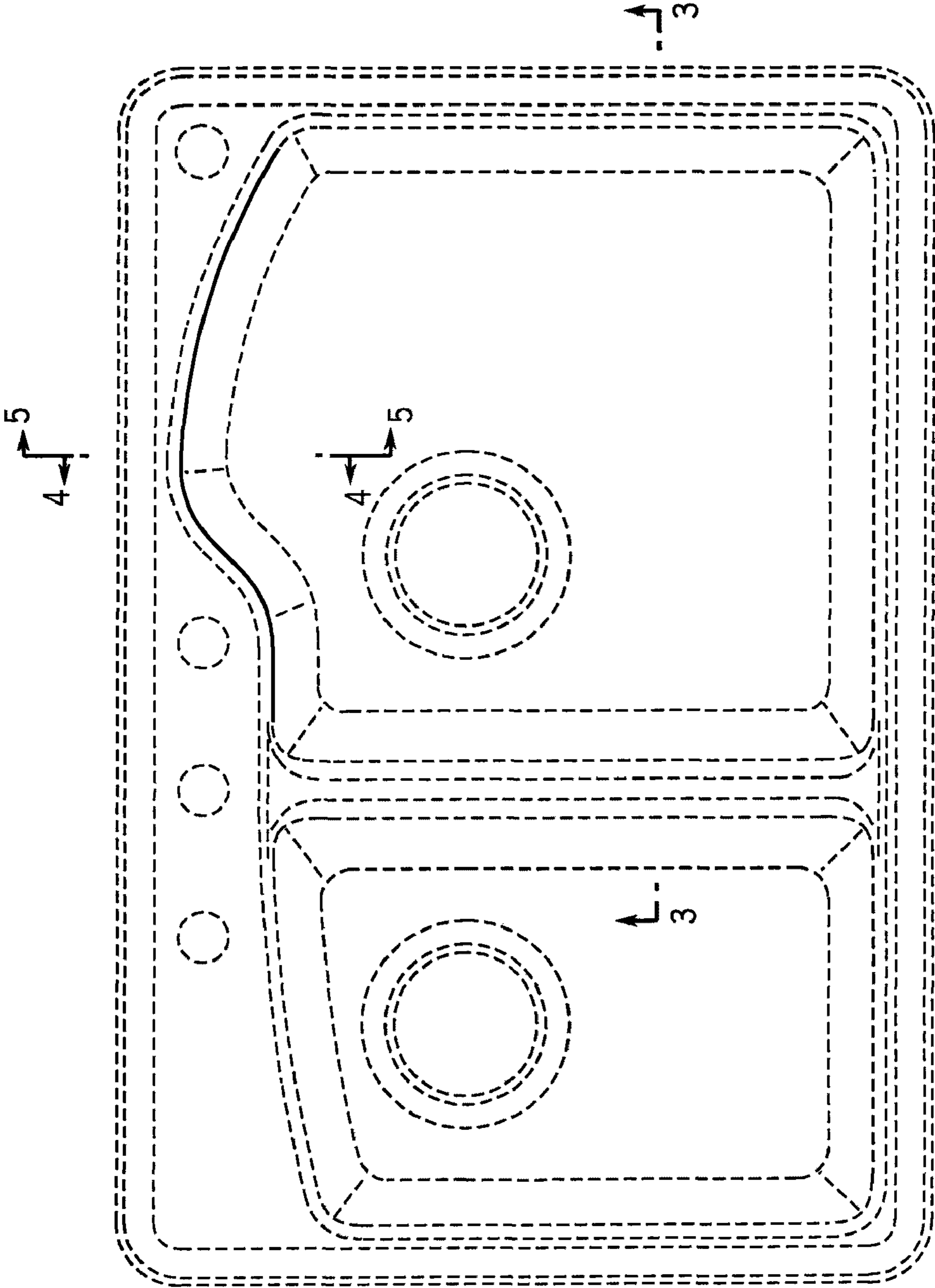


FIG. 2

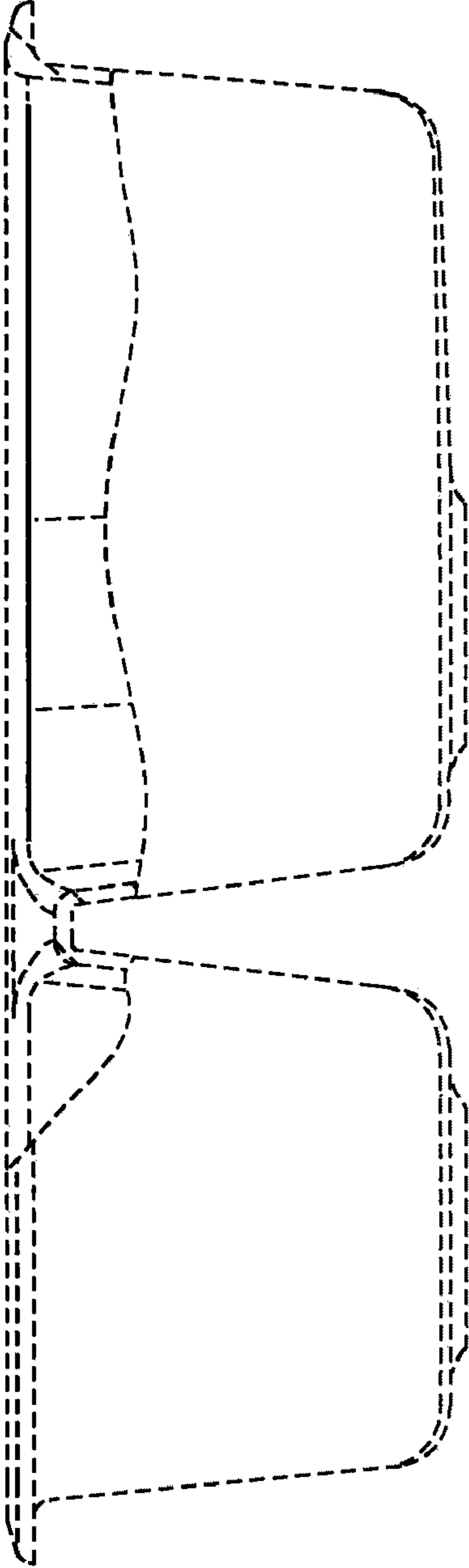


FIG. 3

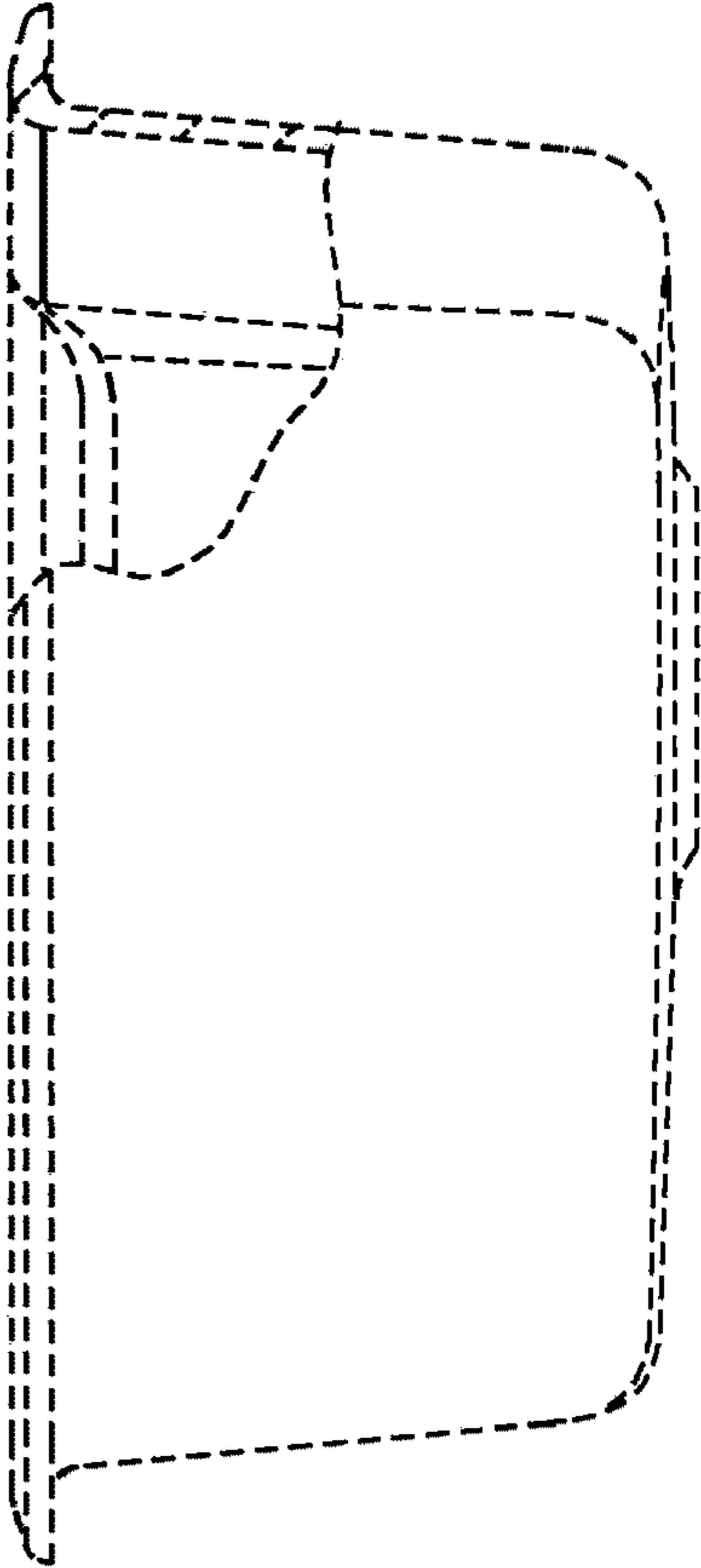


FIG. 4

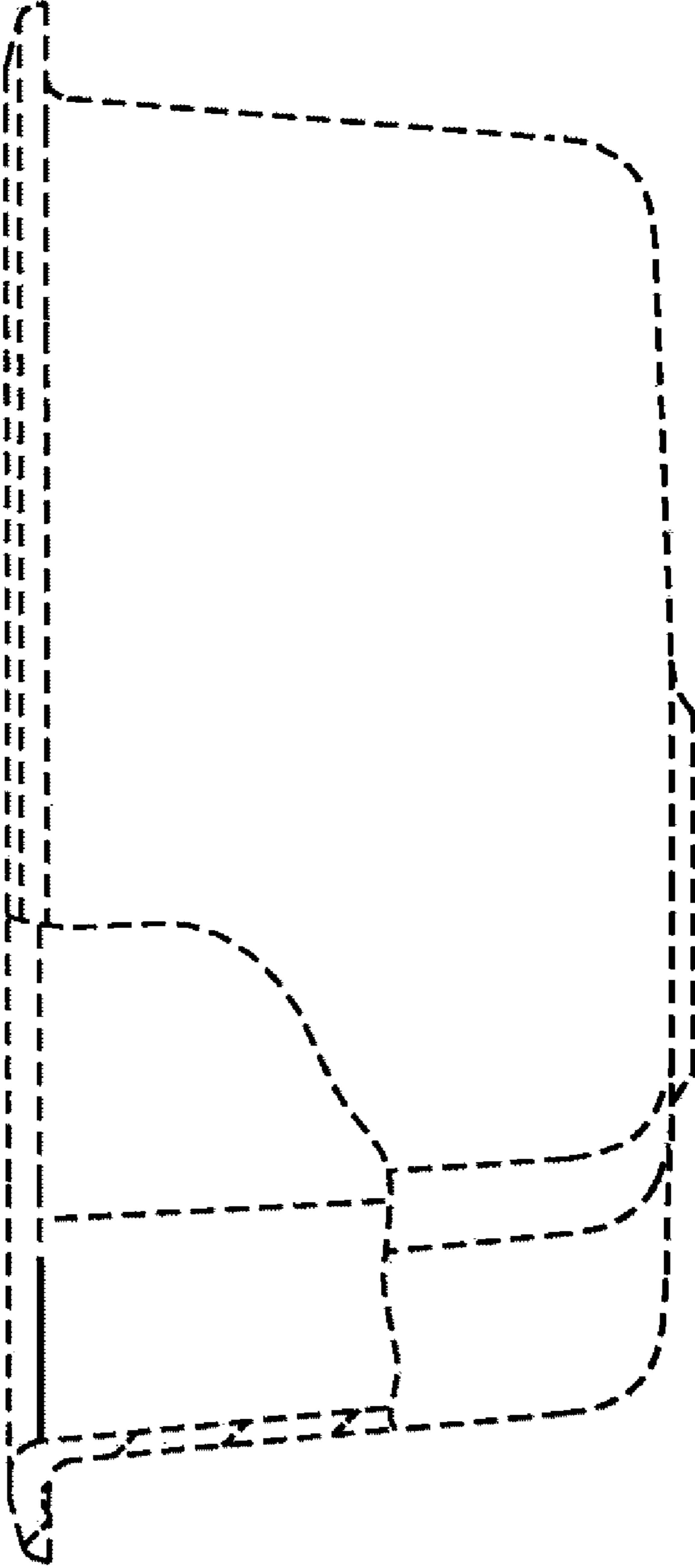


FIG. 5

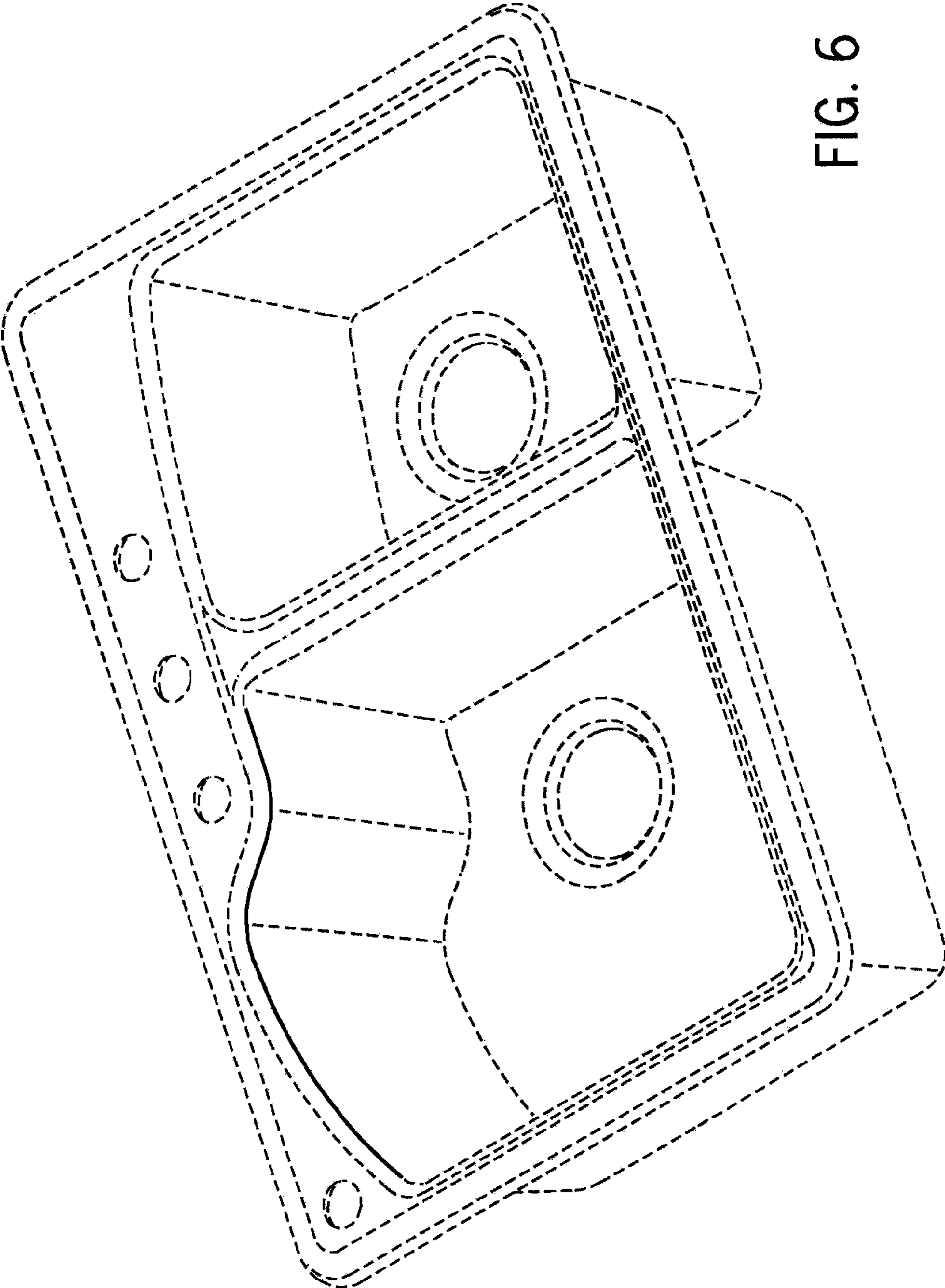


FIG. 6

UNITED STATES PATENT AND TRADEMARK OFFICE
CERTIFICATE OF CORRECTION

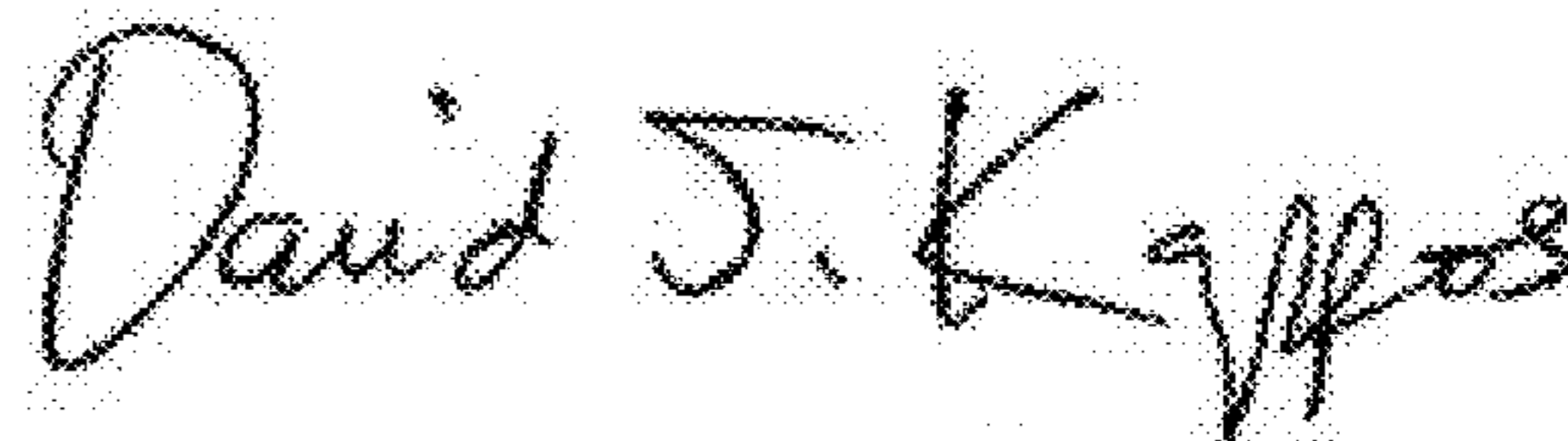
PATENT NO. : D641,073 S
APPLICATION NO. : 29/385986
DATED : July 5, 2011
INVENTOR(S) : Shawn J. Booth

Page 1 of 1

It is certified that error appears in the above-identified patent and that said Letters Patent is hereby corrected as shown below:

On the title page of U.S. patent D641,073, under the item entitled "Description", please insert above the FIG. 1 description the following statement: --In a preferred embodiment, the nature of this product is a plumbing fixture in the form of a sink for washing kitchen items and the like.--

Signed and Sealed this
Twenty-third Day of August, 2011

A handwritten signature in black ink that reads "David J. Kappos". The signature is written in a cursive style with a large initial "D" and "K".

David J. Kappos
Director of the United States Patent and Trademark Office