



US00D641072S

(12) **United States Design Patent**
Flowers et al.

(10) **Patent No.:** **US D641,072 S**
(45) **Date of Patent:** **** Jul. 5, 2011**

(54) **SPOUT**

D592,287 S * 5/2009 Lammel et al. D23/255
D617,425 S * 6/2010 Lammel et al. D23/255

(75) Inventors: **Paul Flowers**, Duesseldorf (DE); **Hans Lobermeier**, Menden (DE)

* cited by examiner

(73) Assignee: **Grohe AG**, Hemer (DE)

Primary Examiner — Robert A Delehanty

(**) Term: **14 Years**

(74) *Attorney, Agent, or Firm* — Muncy, Geissler, Olds & Lowe, PLLC

(21) Appl. No.: **29/380,280**

(57) **CLAIM**

The ornamental design for a spout, as shown and described.

(22) Filed: **Dec. 2, 2010**

DESCRIPTION

(30) **Foreign Application Priority Data**

Jun. 2, 2010 (EM) 001714981-0015

FIG. 1 is a left side elevational view of a spout according to the present invention.

(51) **LOC (9) Cl.** **23-01**

FIG. 2 is a right side elevational view of the spout of FIG. 1.

(52) **U.S. Cl.** **D23/255**

FIG. 3 is a top plan view of the spout of FIG. 1.

(58) **Field of Classification Search** D23/238,

FIG. 4 is a bottom plan view of the spout of FIG. 1.

D23/241–242, 255, 257, 249; 4/675–678;
137/801

FIG. 5 is a front elevational view of the spout of FIG. 1.

See application file for complete search history.

FIG. 6 is a rear elevational view of the spout of FIG. 1; and,

FIG. 7 is a three quarter view of the spout of FIG. 1.

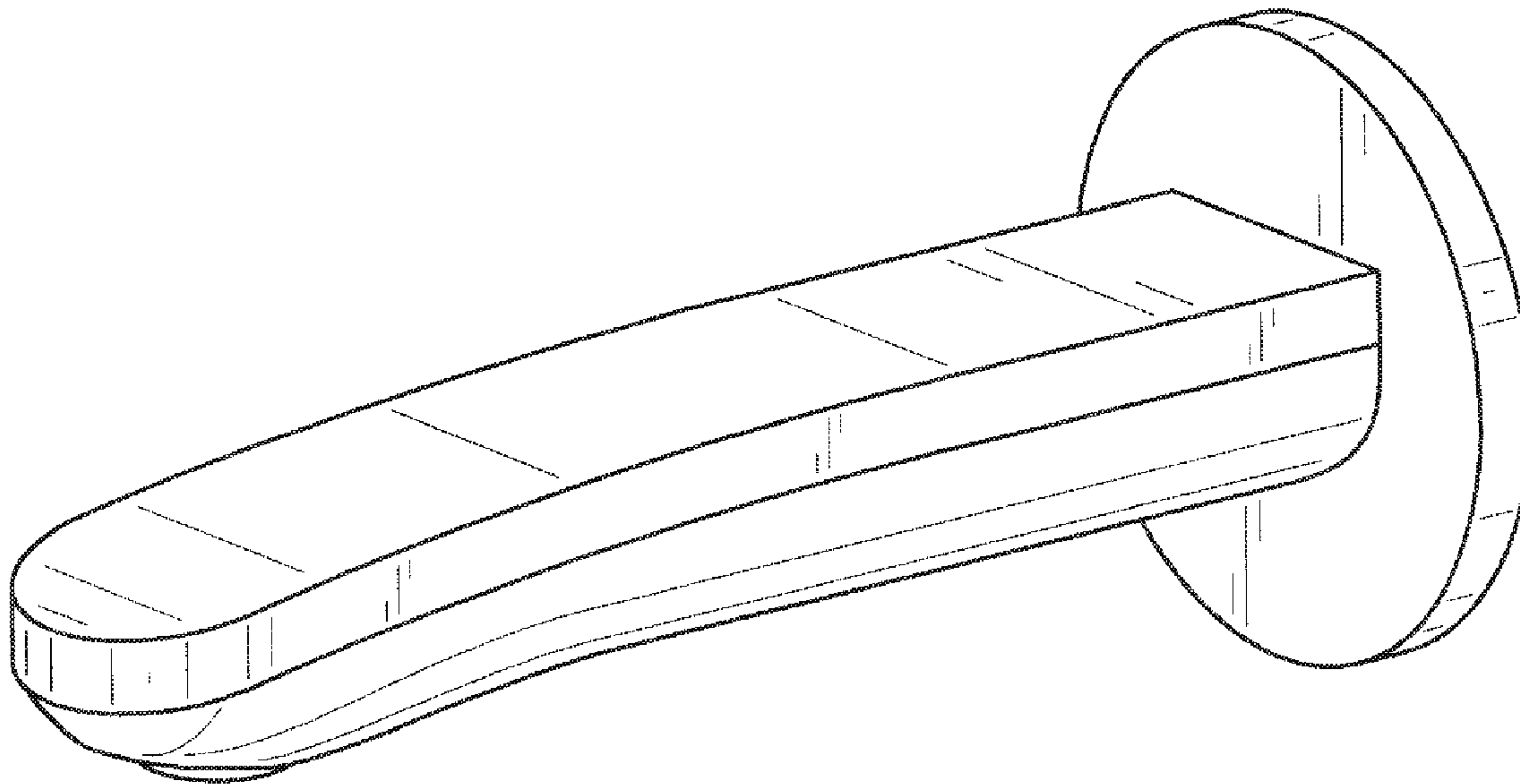
The dashed lines illustrate environment that does not form a part of the present invention, and no claim is made to the material illustrated with dashed lines.

(56) **References Cited**

U.S. PATENT DOCUMENTS

D527,807 S * 9/2006 Haug et al. D23/255

1 Claim, 5 Drawing Sheets



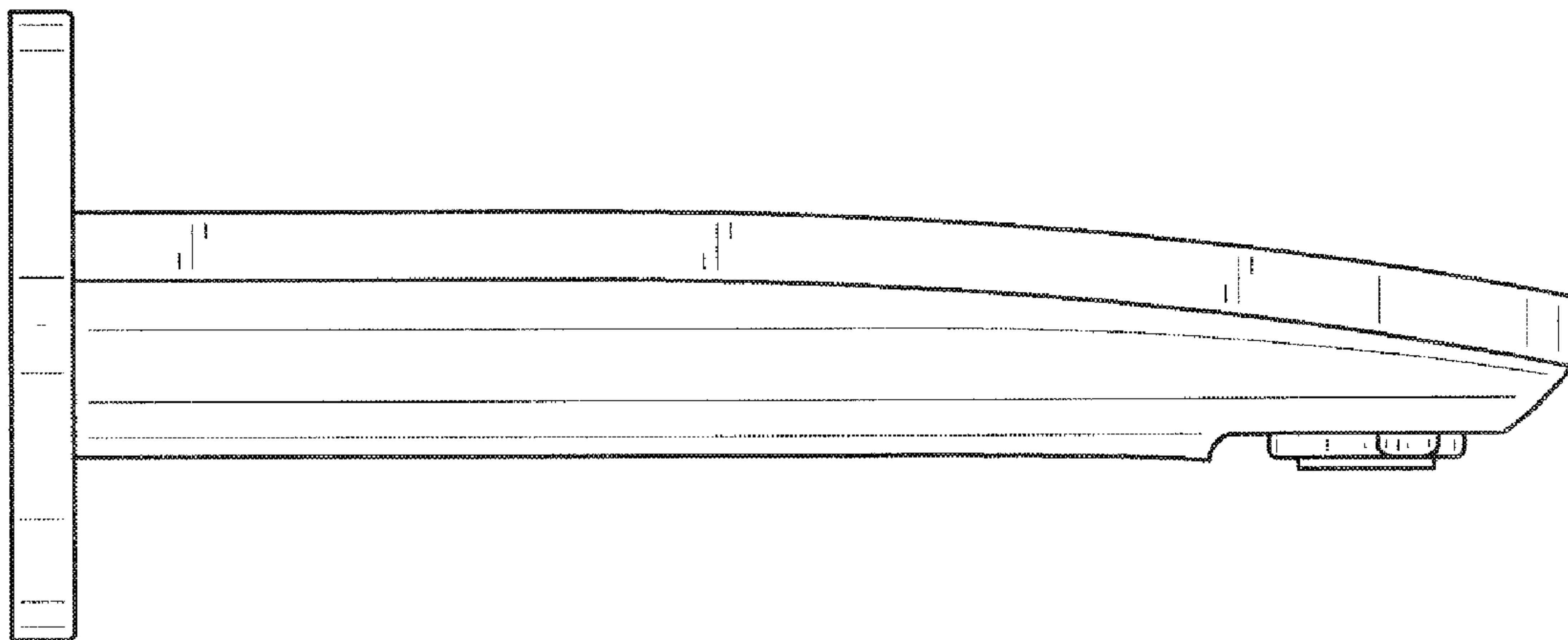


FIG. 1

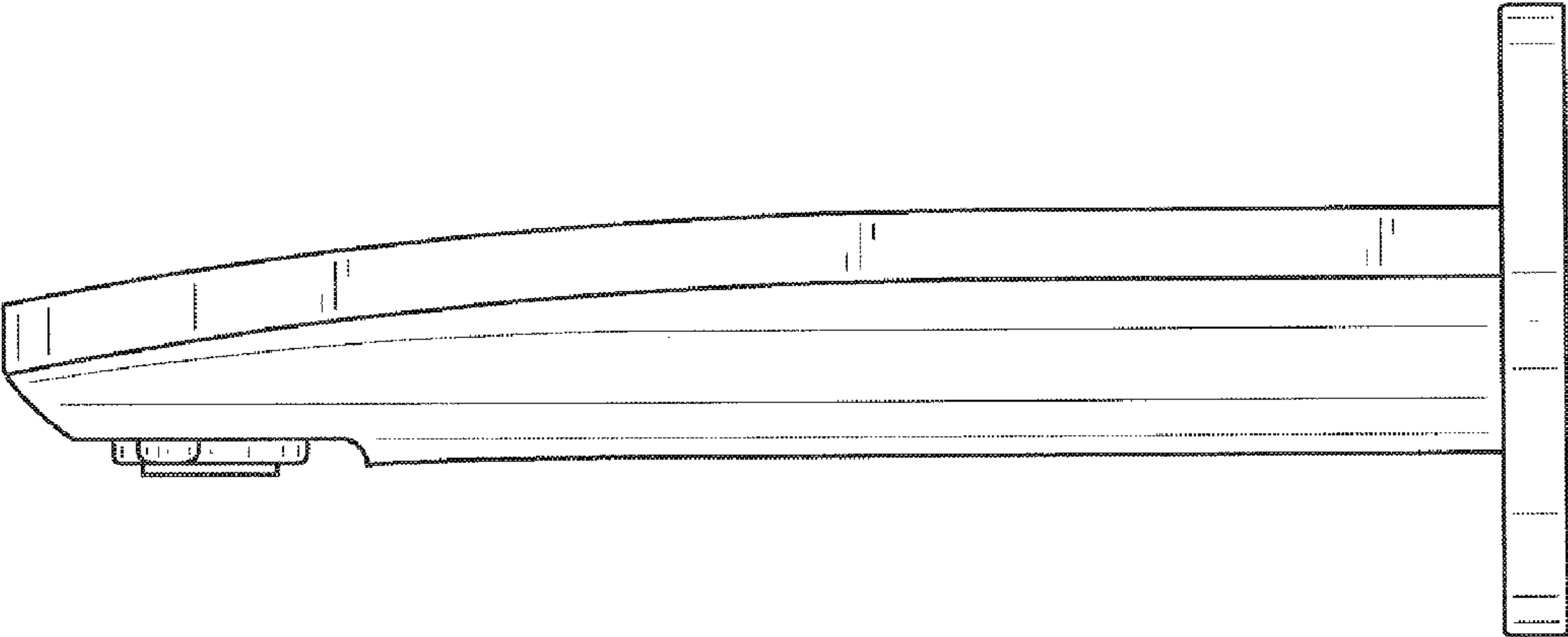


FIG. 2

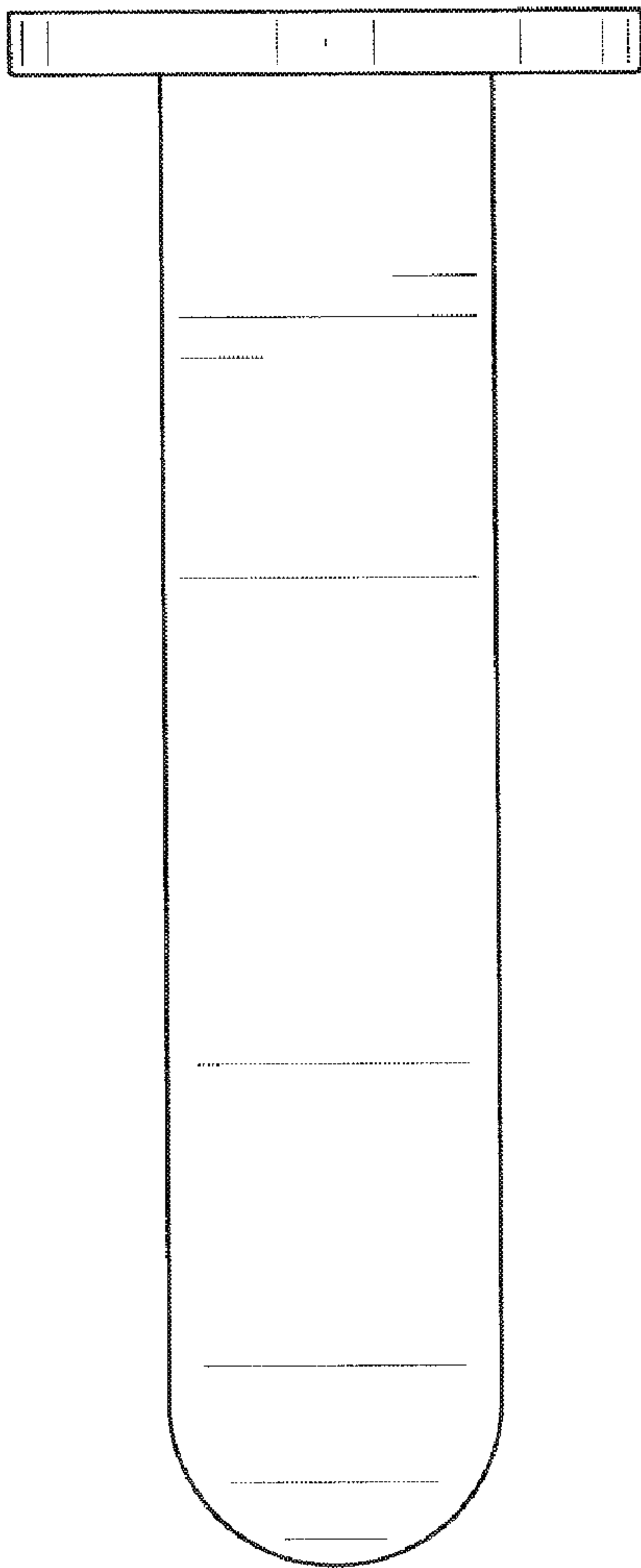


FIG. 3

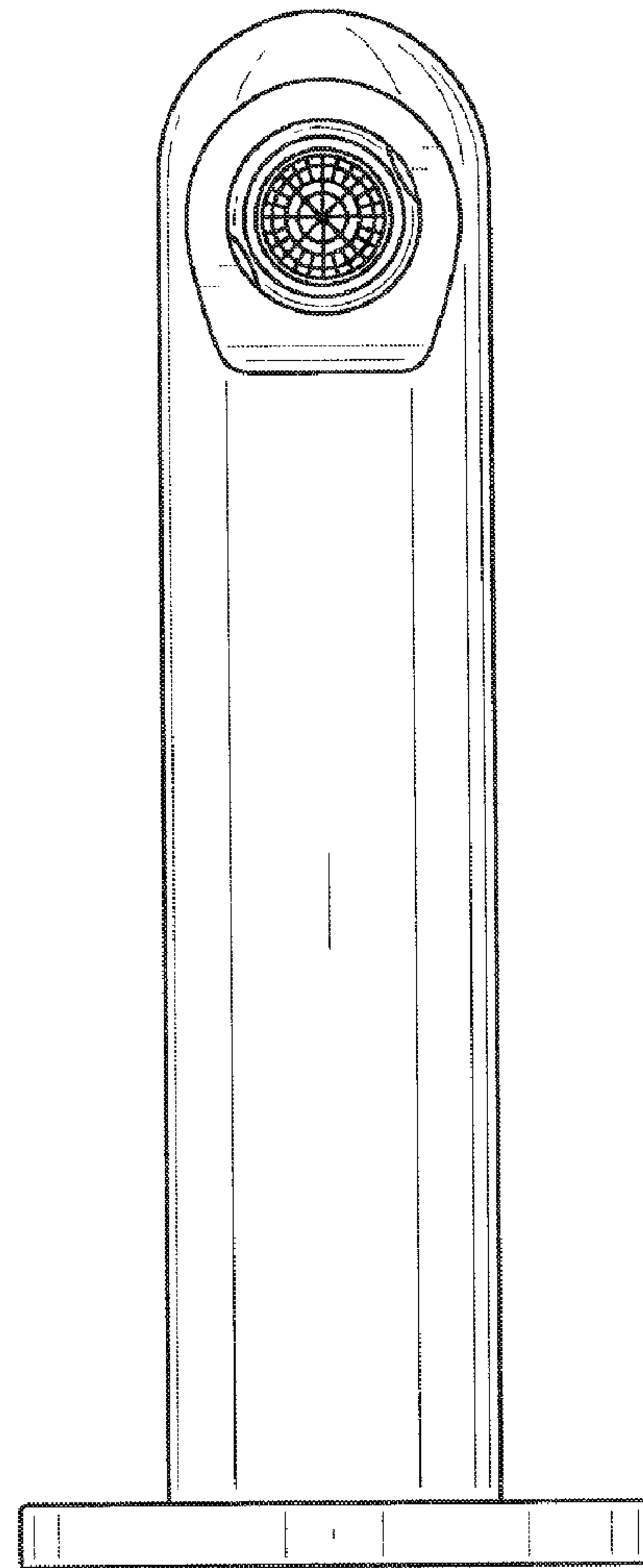


FIG. 4

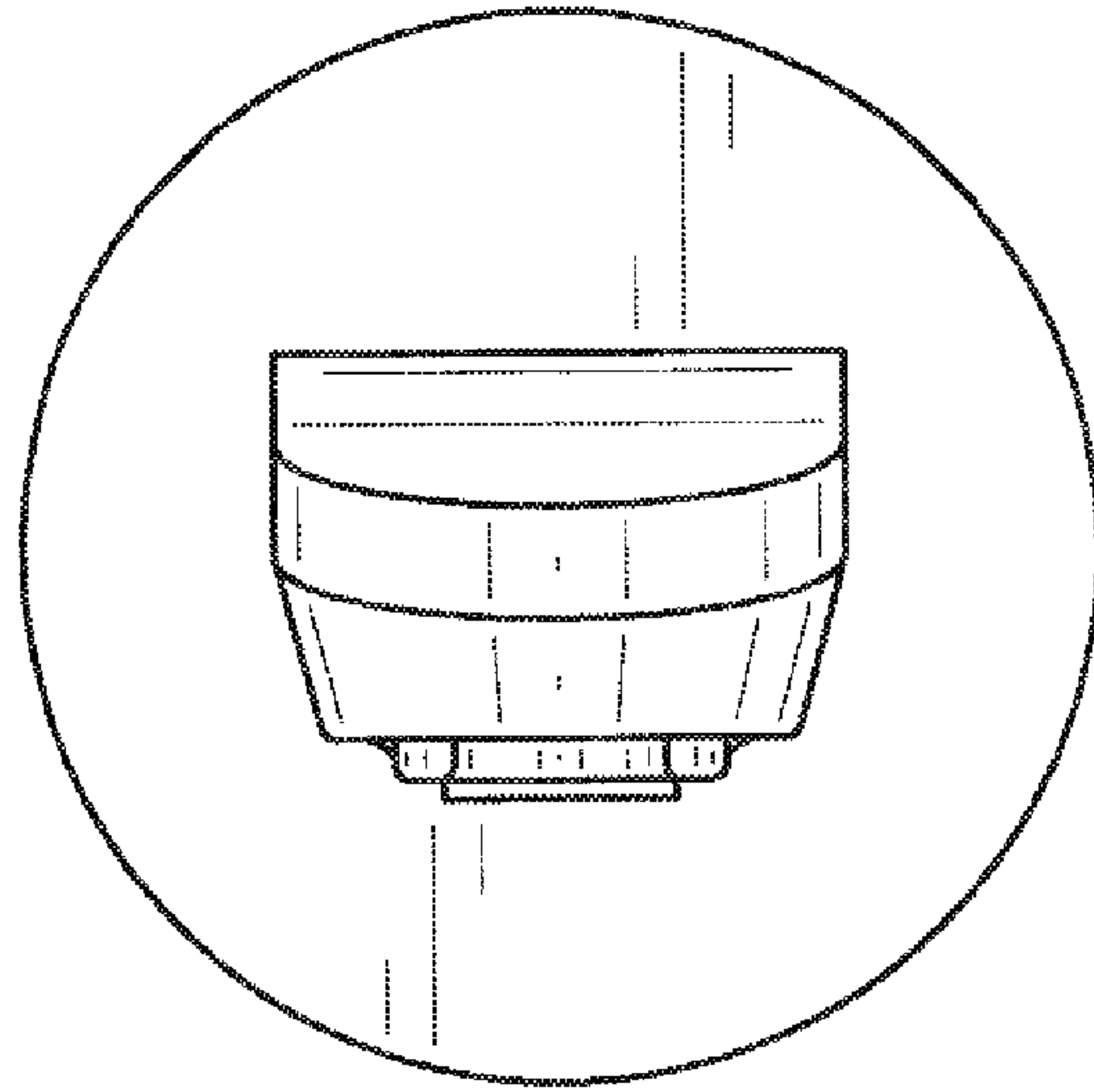


FIG. 5

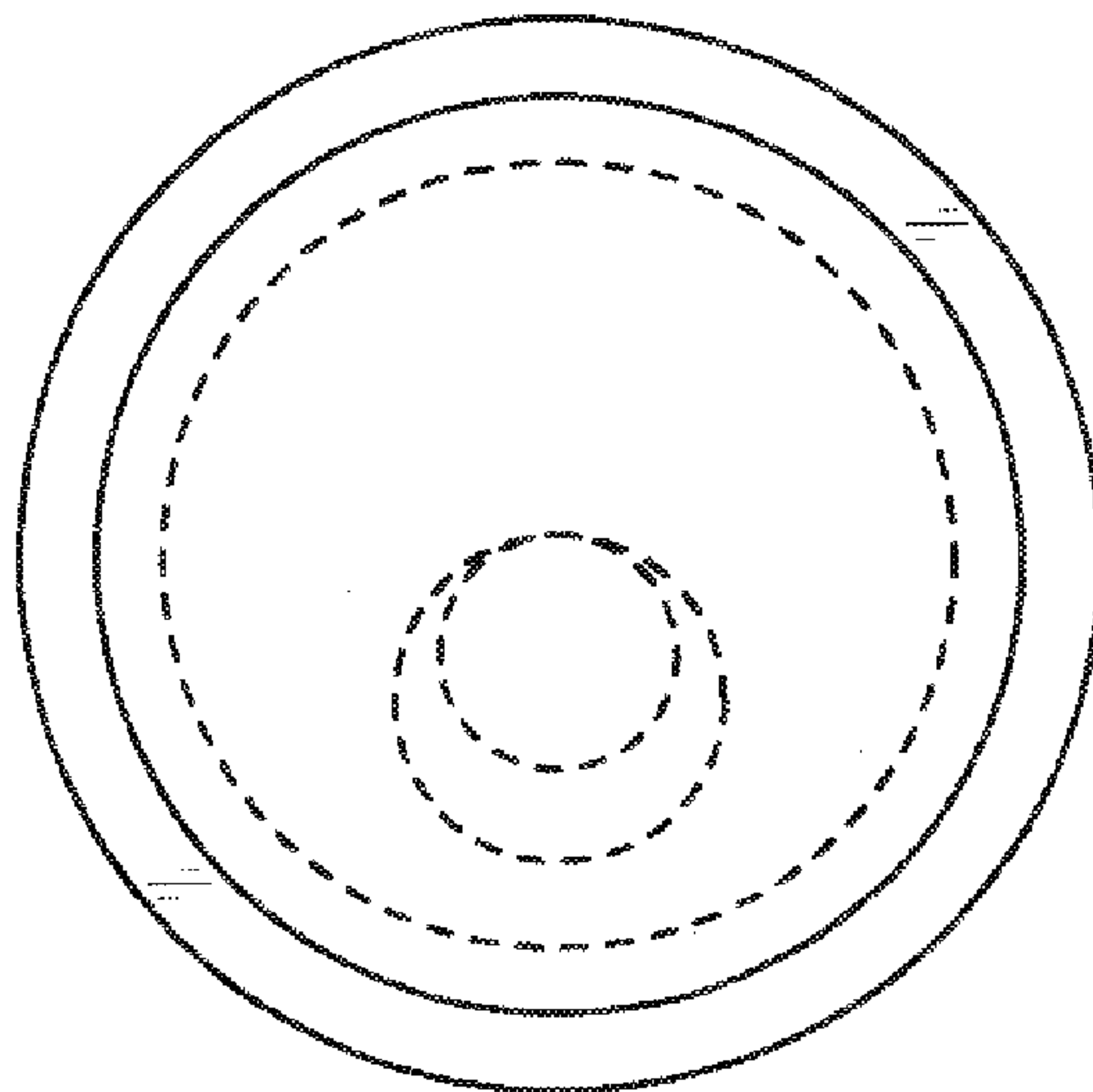


FIG. 6

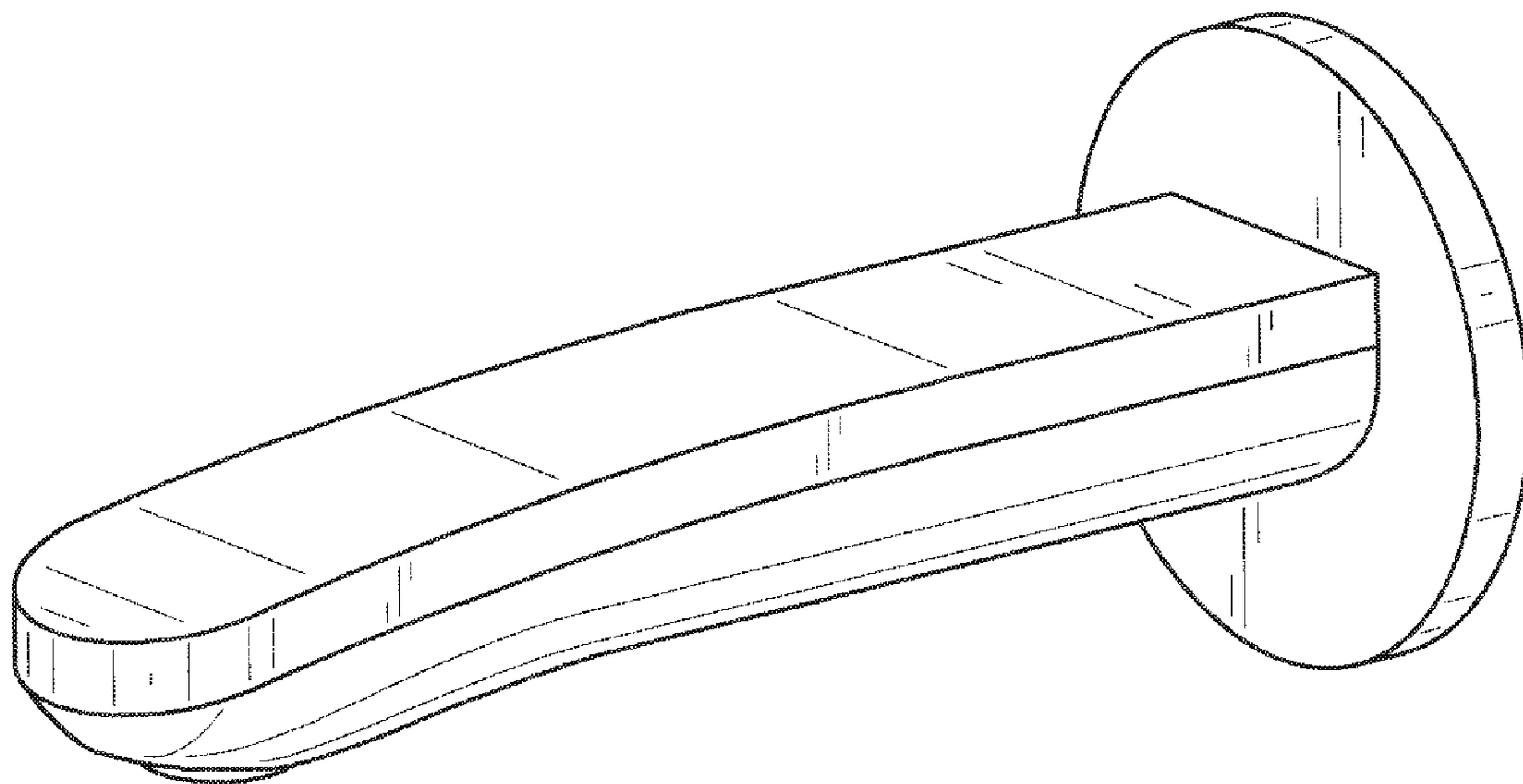


FIG. 7