



US00D641071S

(12) **United States Design Patent**
Grether

(10) **Patent No.:** **US D641,071 S**

(45) **Date of Patent:** **** Jul. 5, 2011**

(54) **JET REGULATOR**

(75) Inventor: **Hermann Grether**, Mullheim (DE)

(73) Assignee: **Neoperl GmbH**, Müllheim (DE)

(**) Term: **14 Years**

(21) Appl. No.: **29/261,834**

(22) Filed: **Jun. 21, 2006**

(30) **Foreign Application Priority Data**

Dec. 21, 2005 (EP) 452594

(51) **LOC (9) Cl.** **23-01**

(52) **U.S. Cl.** **D23/249**

(58) **Field of Classification Search** D23/249
See application file for complete search history.

(56) **References Cited**

U.S. PATENT DOCUMENTS

2006/0102750 A1 5/2006 Grether

FOREIGN PATENT DOCUMENTS

DE 102 46 333 A1 4/2004

WO 2004/033807 A1 4/2004

Primary Examiner — Cathron C. Brooks

Assistant Examiner — Maurice Stevens

(74) *Attorney, Agent, or Firm* — Panitch Schwarze Belisario & Nadel LLP

(57) **CLAIM**

The ornamental design for a jet regulator, as shown and described.

DESCRIPTION

The patent or application file contains at least one drawing executed in color. Copies of this patent or patent application publication with color drawings will be provided by the Office upon request and payment of the necessary fee.

FIG. 1 is a top perspective view of a jet regulator in accordance with a first preferred embodiment of my new design; FIG. 2 is a front elevational view thereof, rear and side elevational views thereof being the same;

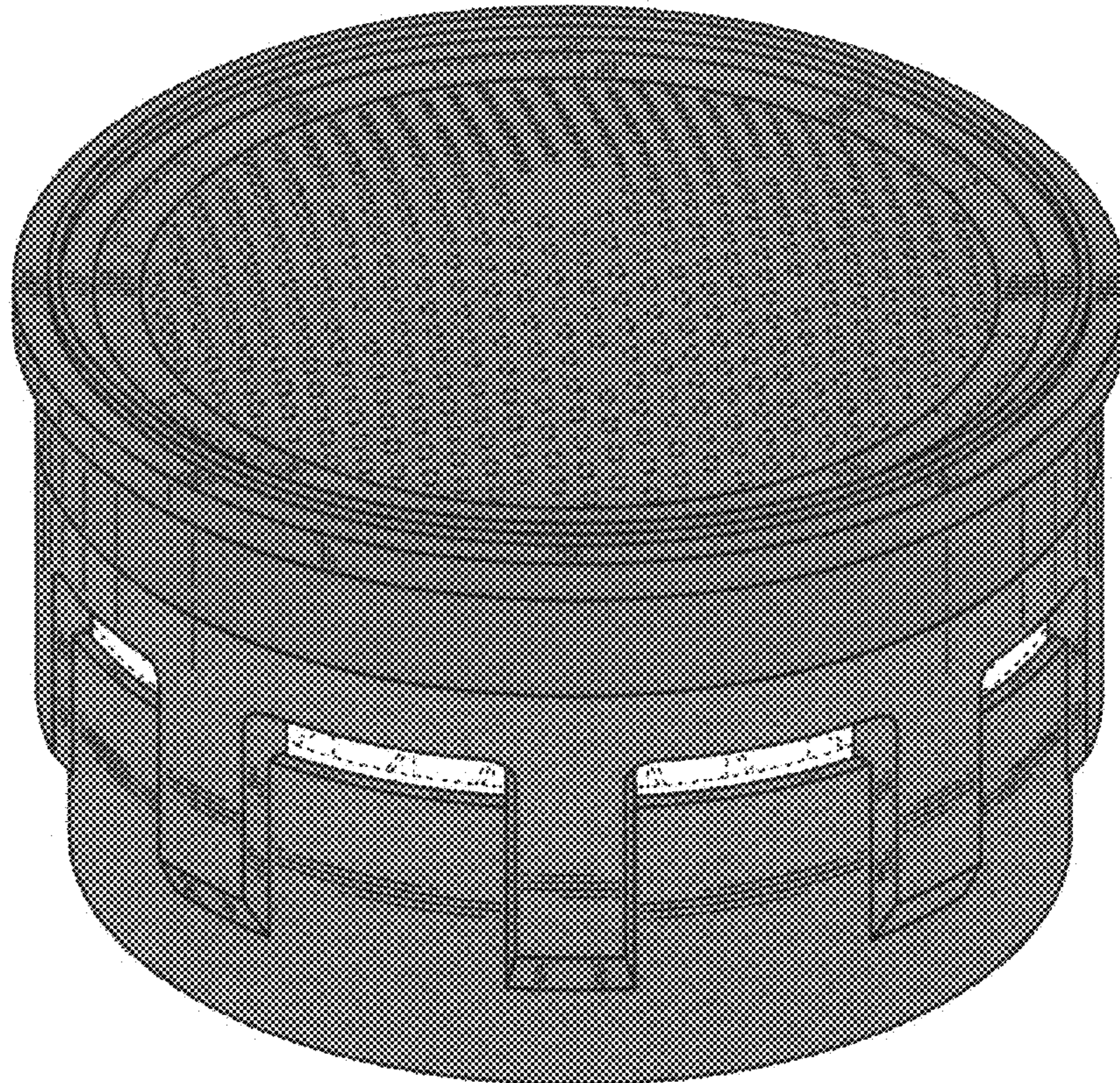
FIG. 3 is a top perspective view of a jet regulator in accordance with a second preferred embodiment of my new design; and,

FIG. 4 is a front elevational view thereof, rear and side elevational views thereof being the same.

The broken lines in the figures are for illustrative purposes only and form no part of the claimed design.

The bottom view of the jet regulator of the first and second preferred embodiments is not shown in the drawings or described in the specification and, therefore, forms no part of the claimed design.

1 Claim, 4 Drawing Sheets
(4 of 4 Drawing Sheet(s) Filed in Color)



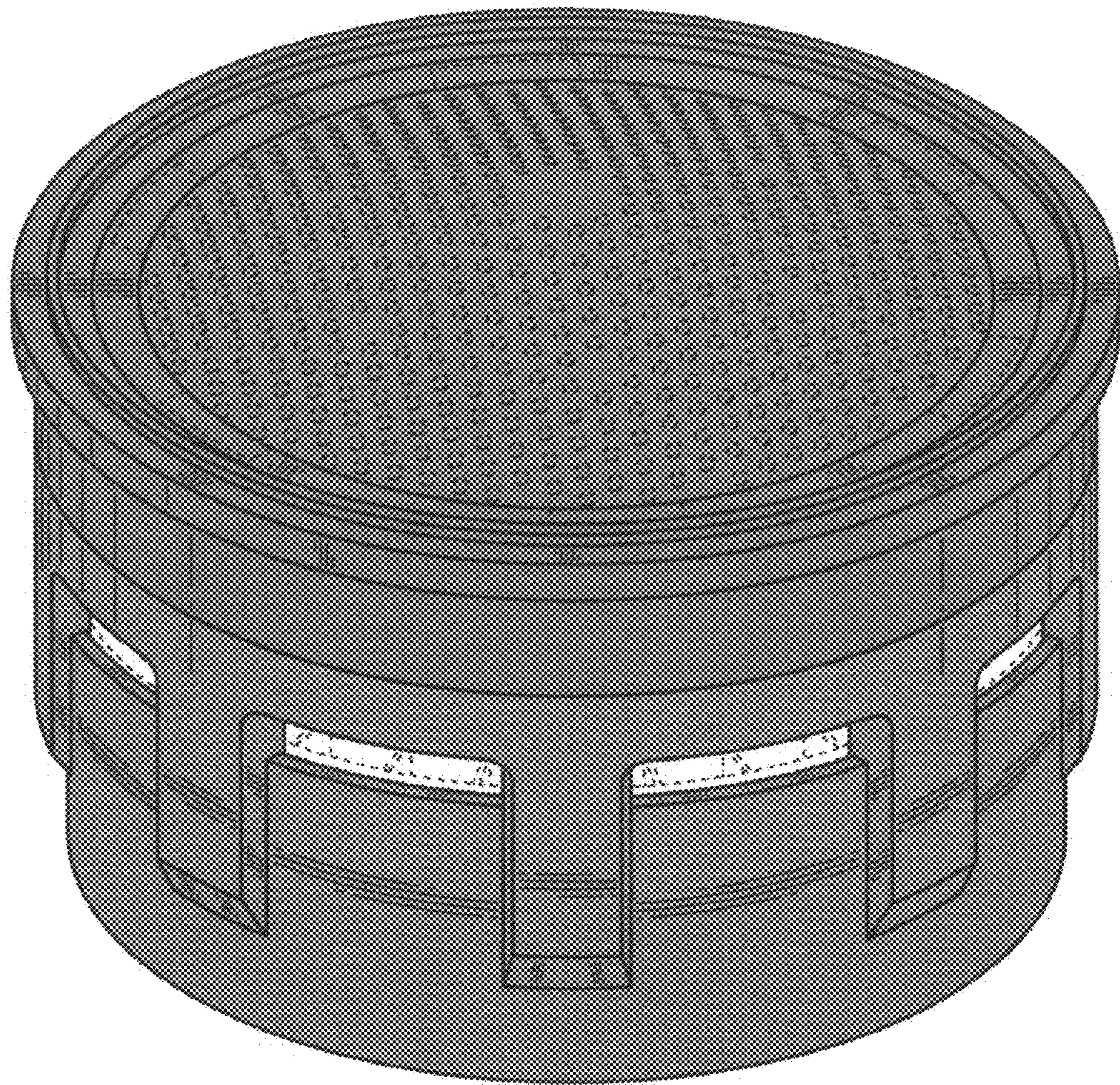


FIG. 1

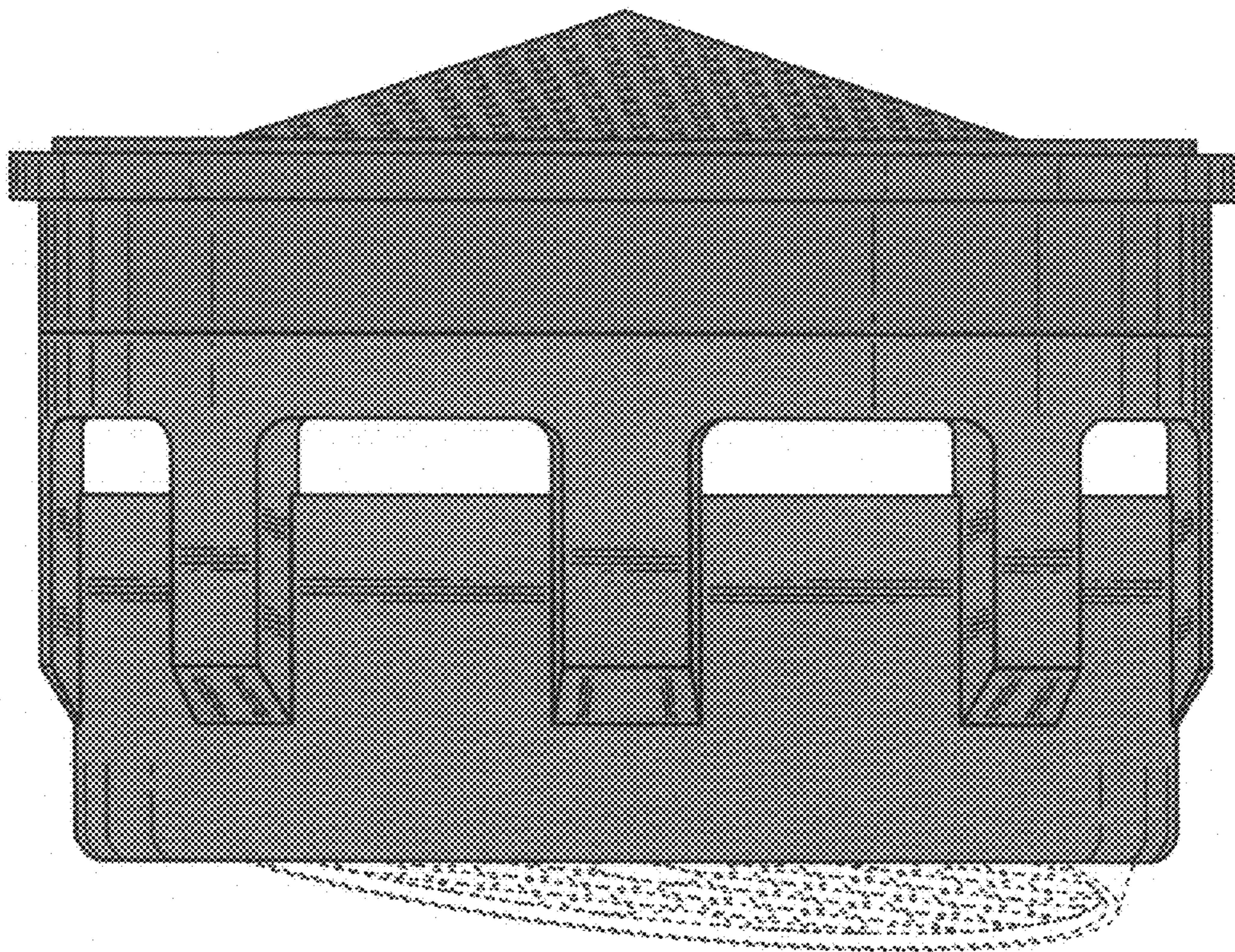


FIG. 2

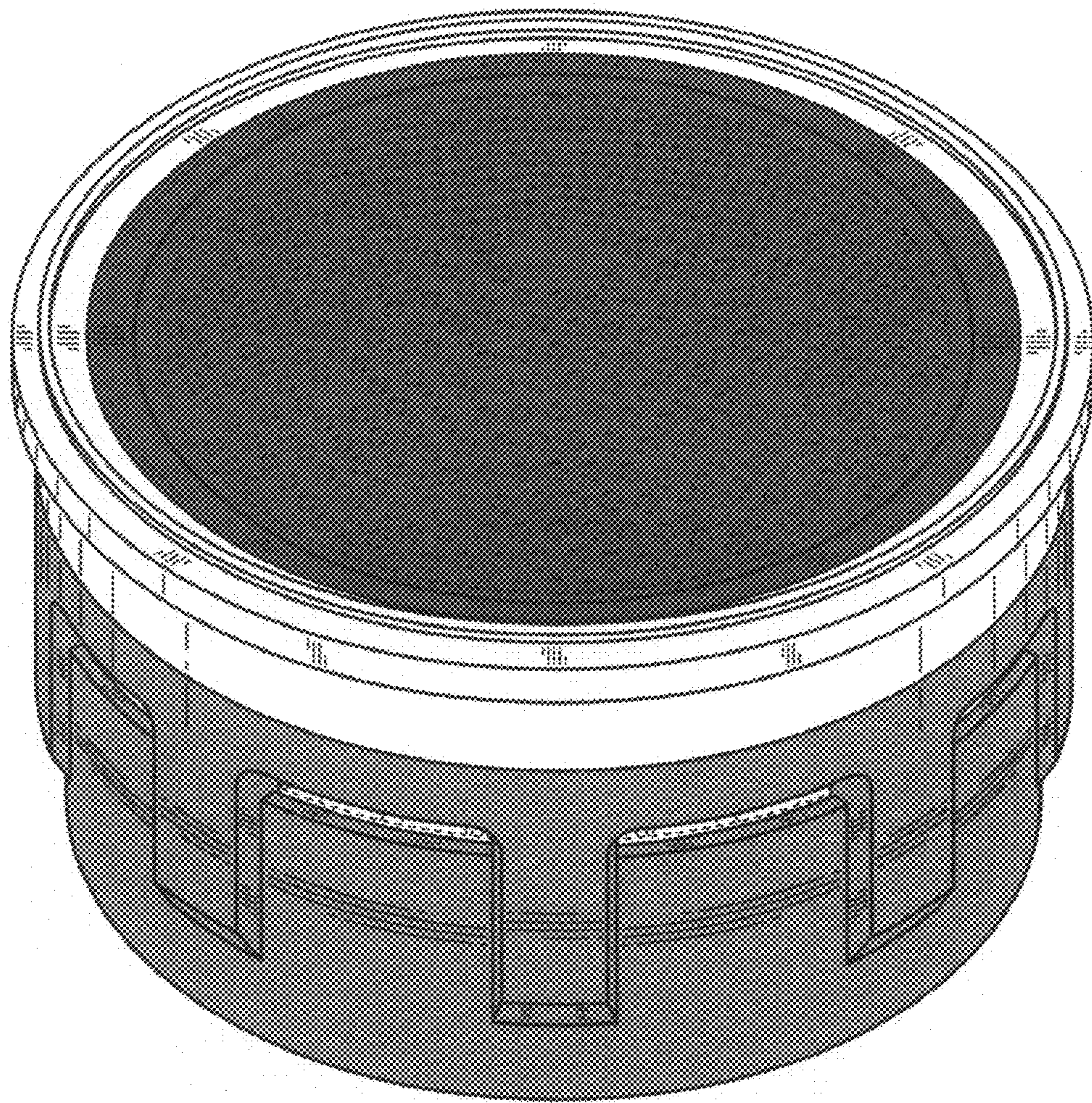


FIG. 3

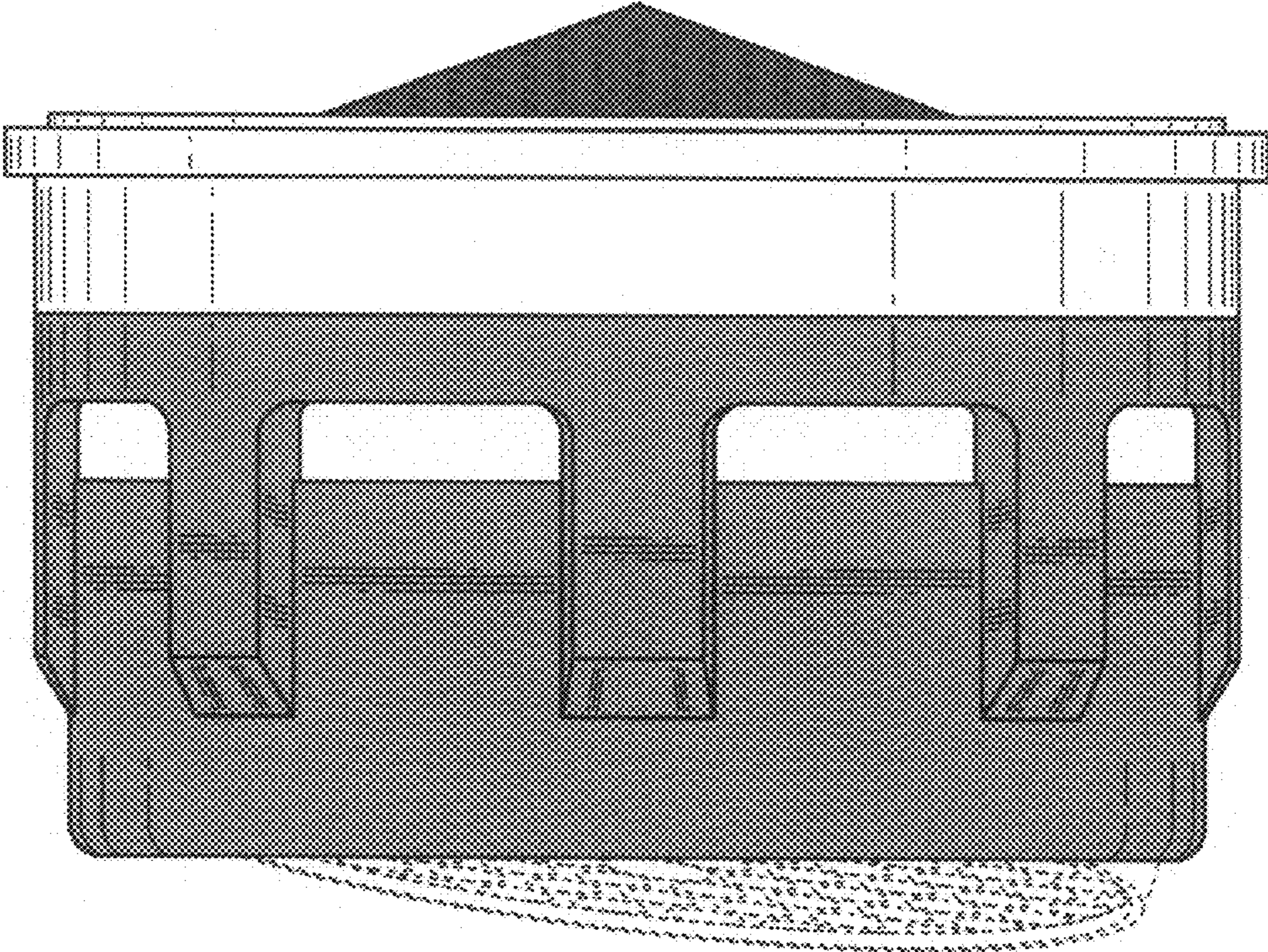


FIG. 4