



US00D641070S

(12) **United States Design Patent**
Fukano et al.

(10) **Patent No.:** **US D641,070 S**
(45) **Date of Patent:** **** Jul. 5, 2011**

(54) **FLUID CONTROL VALVE**

(75) Inventors: **Yoshihiro Fukano**, Tsukubamirai (JP);
Takamitsu Suzuki, Tsukubamirai (JP)

(73) Assignee: **SMC Corporation**, Chiyoda-ku, Tokyo
(JP)

(**) Term: **14 Years**

(21) Appl. No.: **29/386,609**

(22) Filed: **Mar. 3, 2011**

(51) **LOC (9) Cl.** **23-01**

(52) **U.S. Cl.** **D23/233**

(58) **Field of Classification Search** D23/233-237,
D23/244-249; 137/377, 498, 545, 547, 549;
251/62, 63, 63.5, 129.01, 129.16, 129.17,
251/129.18, 309, 368

See application file for complete search history.

(56) **References Cited**

U.S. PATENT DOCUMENTS

2,313,890 A * 3/1943 Ray 137/66
D287,044 S * 12/1986 Hughes D23/248
D539,386 S * 3/2007 Hayashi et al. D23/233
D558,859 S * 1/2008 Kato et al. D23/233

D562,436 S * 2/2008 Kato et al. D23/233
D603,015 S * 10/2009 Matsumura D23/233
D603,016 S * 10/2009 Matsumura D23/233

* cited by examiner

Primary Examiner — Cathron C. Brooks

Assistant Examiner — Maurice Stevens

(74) *Attorney, Agent, or Firm* — Yokoi & Co., U.S.A., Inc.;
Toshiyuki Yokoi

(57) **CLAIM**

The ornamental design for a fluid control valve, as shown and described.

DESCRIPTION

FIG. 1 shows a front view of a fluid control valve showing my new design;

FIG. 2 shows a rear view thereof;

FIG. 3 shows a right side view thereof;

FIG. 4 shows a left side view thereof;

FIG. 5 shows a top view thereof;

FIG. 6 shows a bottom view thereof; and,

FIG. 7 shows a top, front and left side perspective view thereof.

The broken lines showing unclaimed portions of the fluid control valve forms no part of the claimed design.

1 Claim, 6 Drawing Sheets

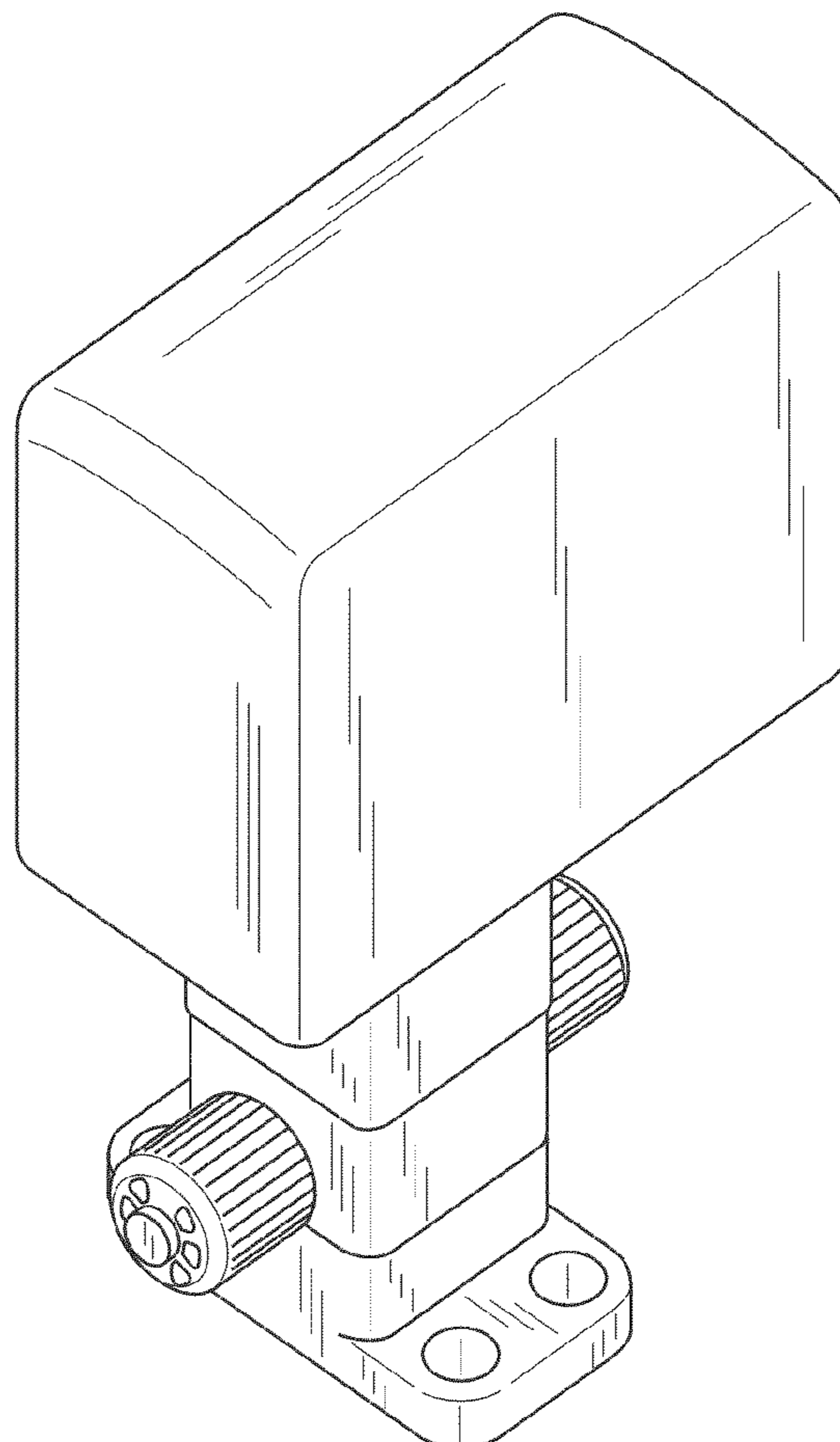


FIG. 1

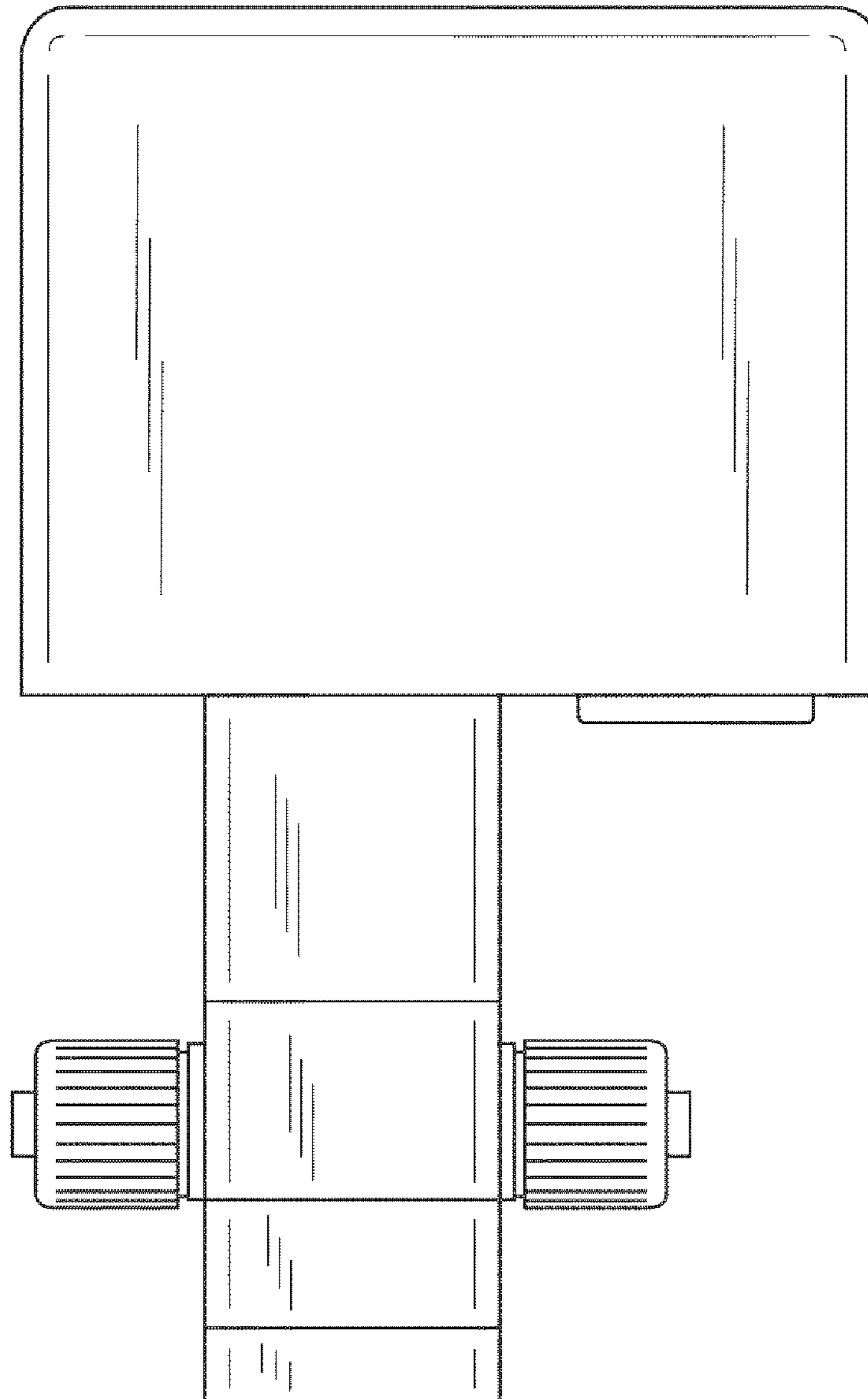


FIG. 2

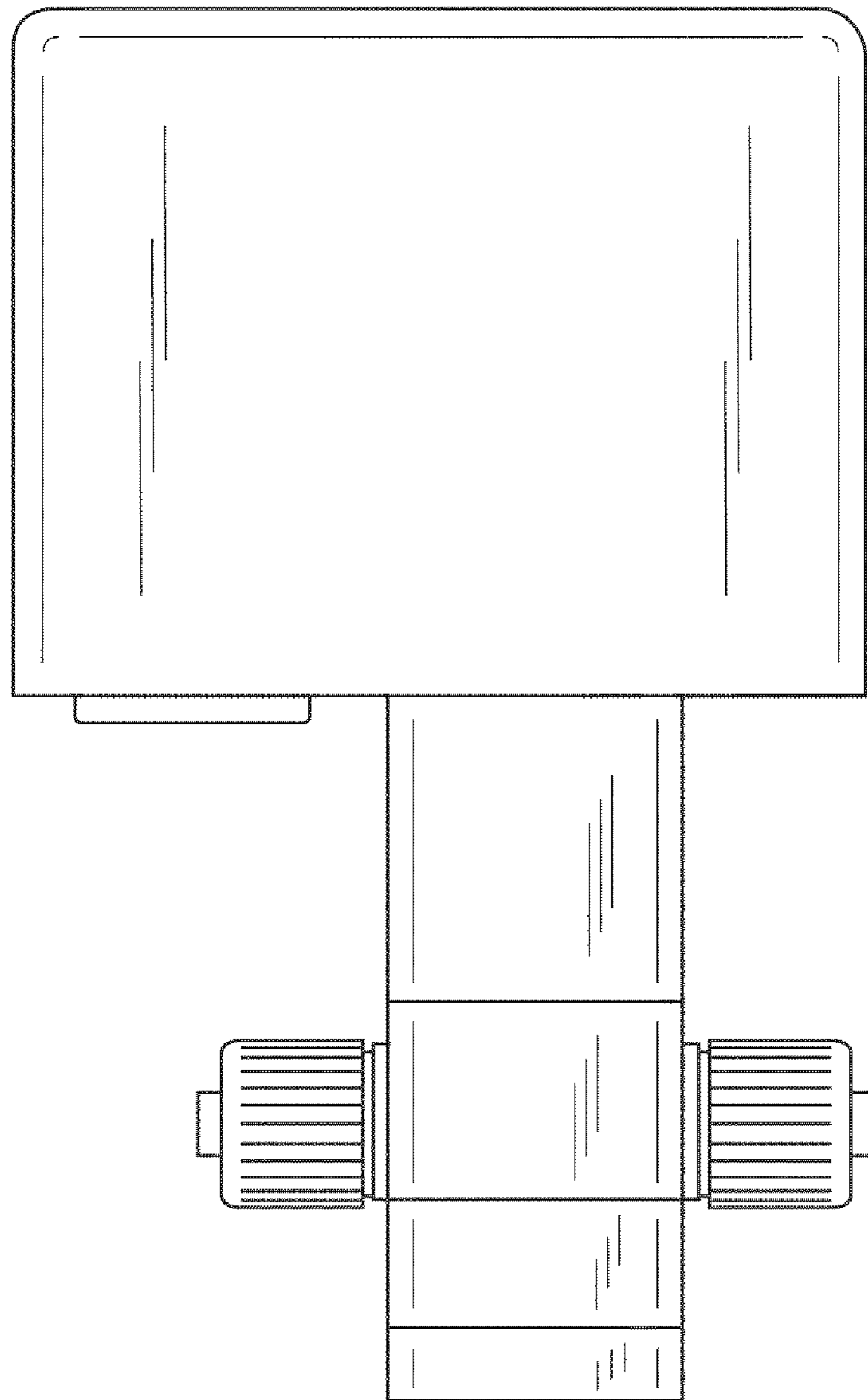


FIG. 3

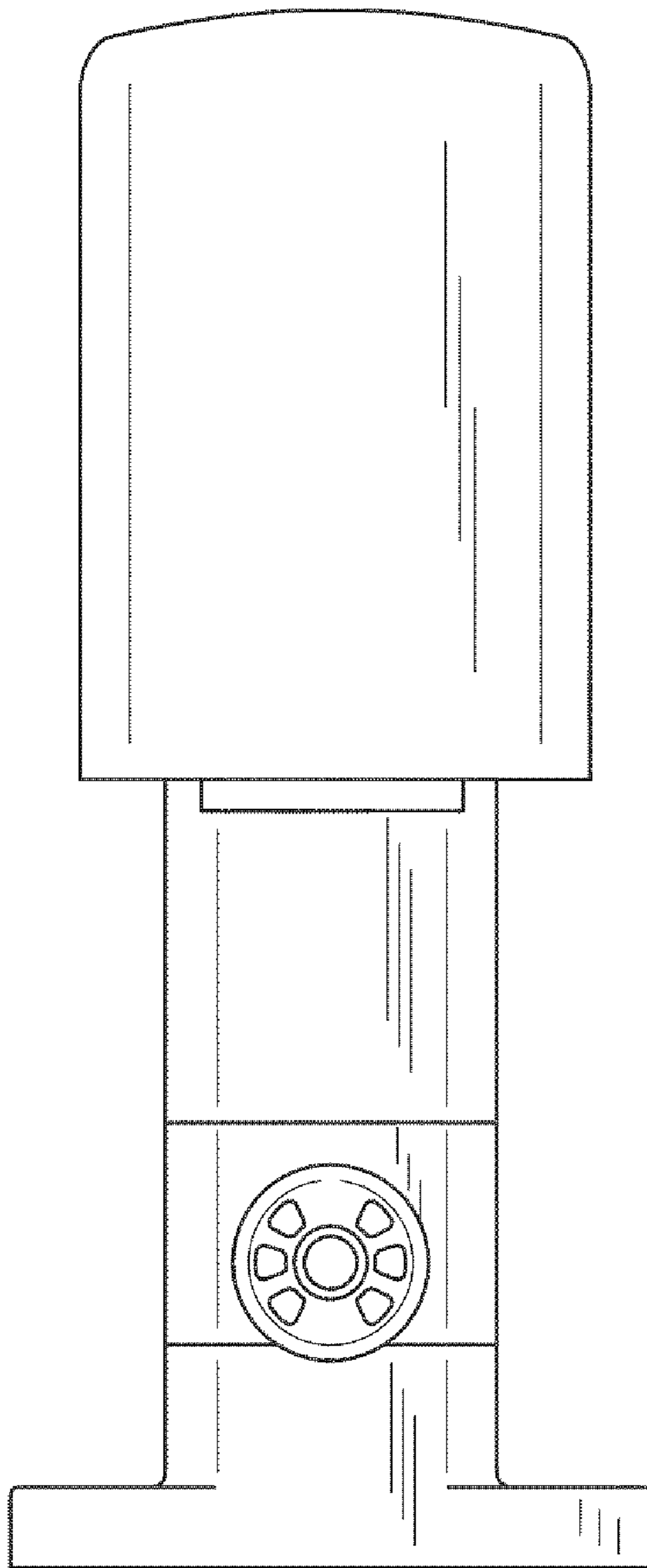


FIG. 4

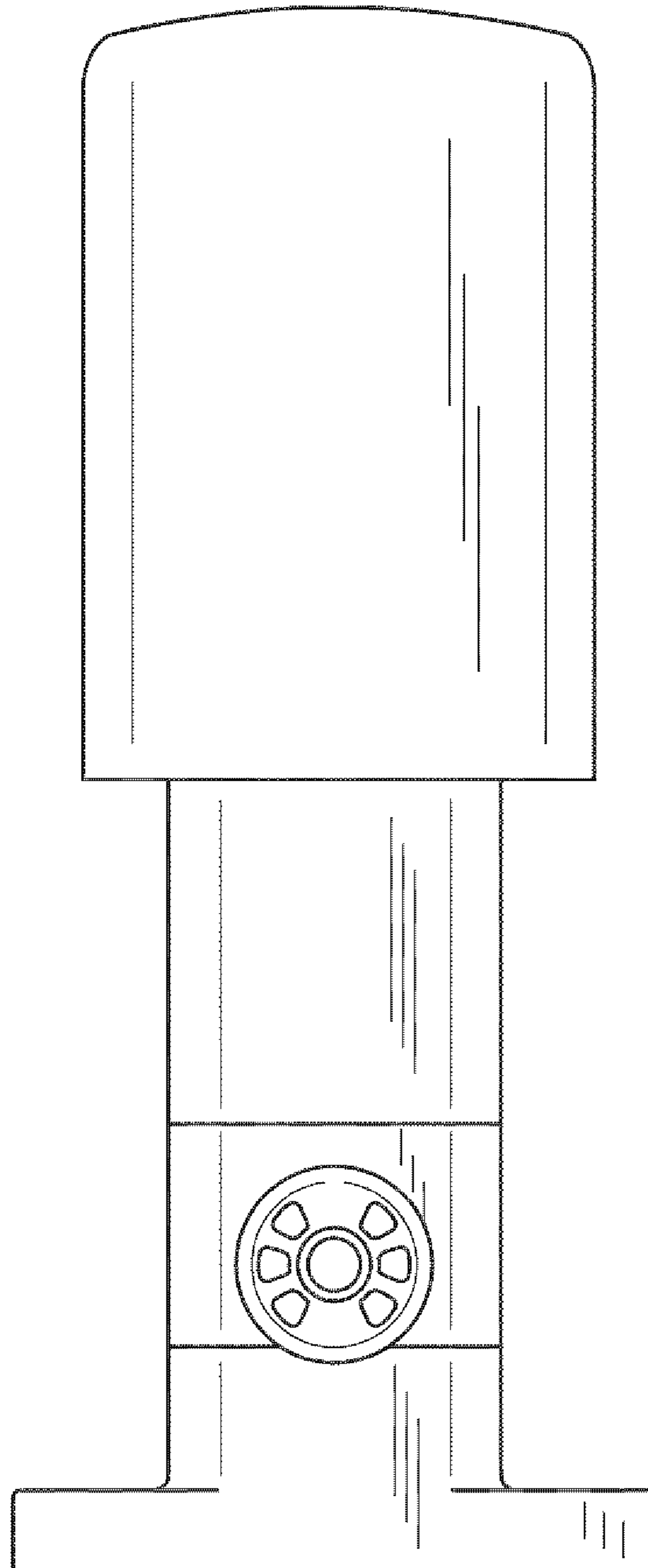


FIG. 5

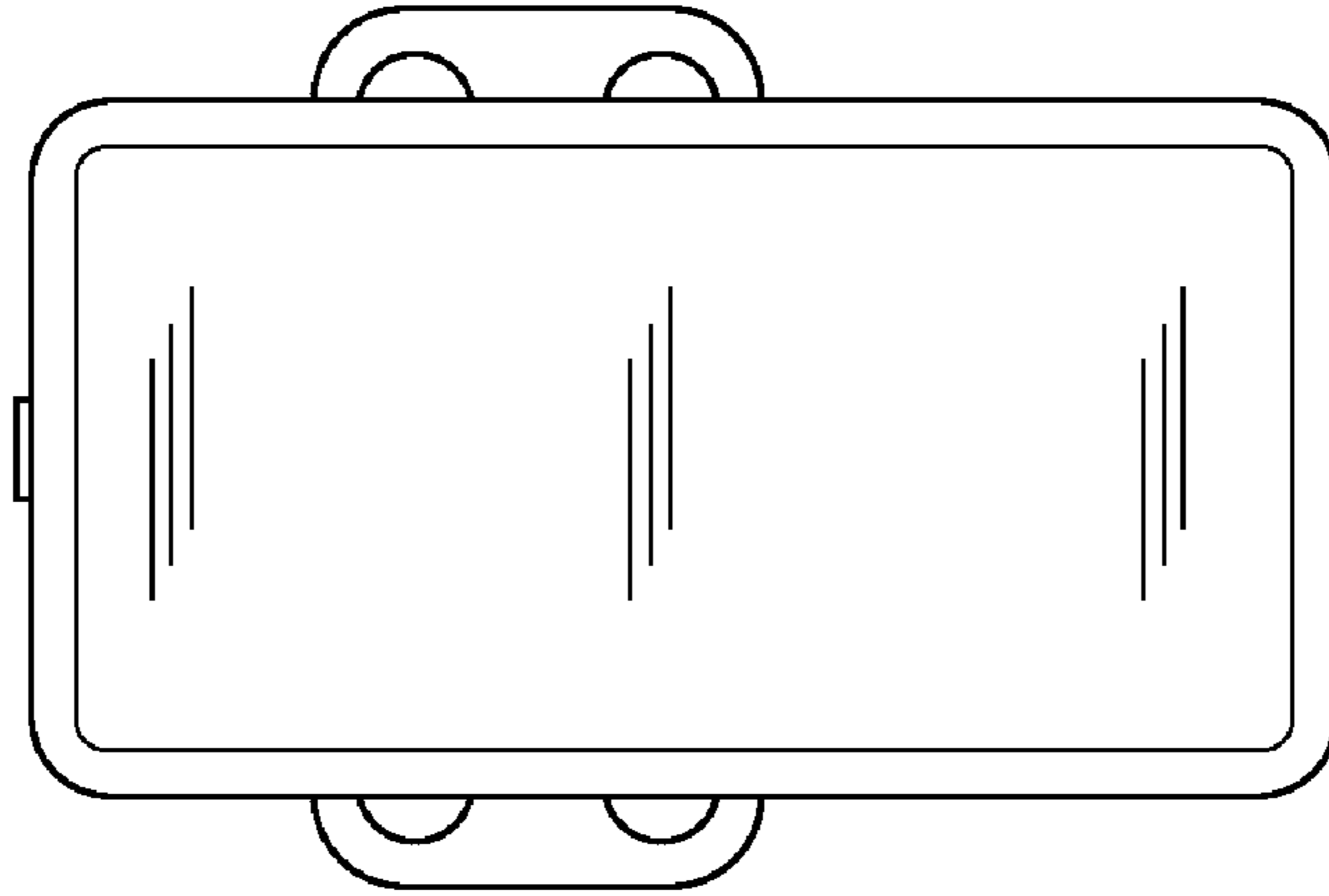


FIG. 6

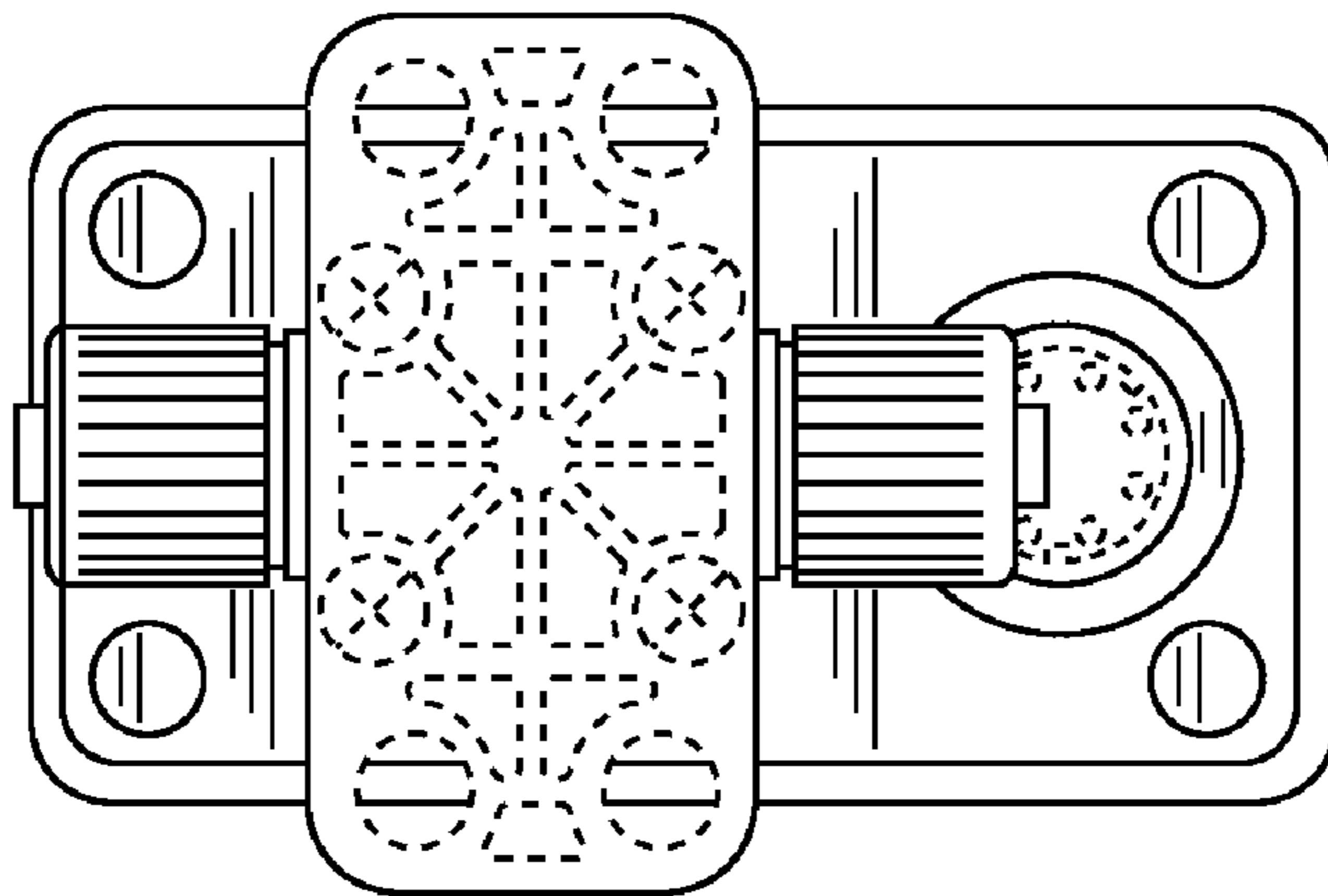


FIG. 7

