



US00D641067S

(12) **United States Design Patent**
Wang

(10) **Patent No.:** **US D641,067 S**

(45) **Date of Patent:** **** Jul. 5, 2011**

(54) **PNEUMATIC GUN**

(76) Inventor: **Hsing-Tzu Wang**, Taichung (TW)

(*) Notice: This patent is subject to a terminal disclaimer.

(**) Term: **14 Years**

(21) Appl. No.: **29/369,429**

(22) Filed: **Sep. 8, 2010**

(51) **LOC (9) Cl.** **23-01**

(52) **U.S. Cl.** **D23/226**

(58) **Field of Classification Search** D23/213,
D23/223, 226; 239/525, 526, 690, 690.1

See application file for complete search history.

(56) **References Cited**

U.S. PATENT DOCUMENTS

D409,719 S *	5/1999	Kaneko	D23/226
D523,111 S *	6/2006	Huang	D23/226
D548,816 S *	8/2007	Schmon et al.	D23/226
D551,321 S *	9/2007	Huang	D23/226
D563,505 S *	3/2008	Schmon et al.	D23/226
D570,448 S *	6/2008	Wang	D23/226

D574,928 S *	8/2008	Huang	D23/226
D583,013 S *	12/2008	Wang	D23/226
D604,394 S *	11/2009	Wang	D23/226
D607,972 S *	1/2010	Wang	D23/226
D614,731 S *	4/2010	Wang	D23/226

* cited by examiner

Primary Examiner — Robin Webster

(74) *Attorney, Agent, or Firm* — Harry K. Ahn; Abelman Frayne & Schwab

(57) **CLAIM**

The ornamental design for pneumatic gun, as shown and described.

DESCRIPTION

FIG. 1 is a perspective view of pneumatic gun showing my new design;

FIG. 2 is a front elevational view thereof;

FIG. 3 is a rear elevational view thereof;

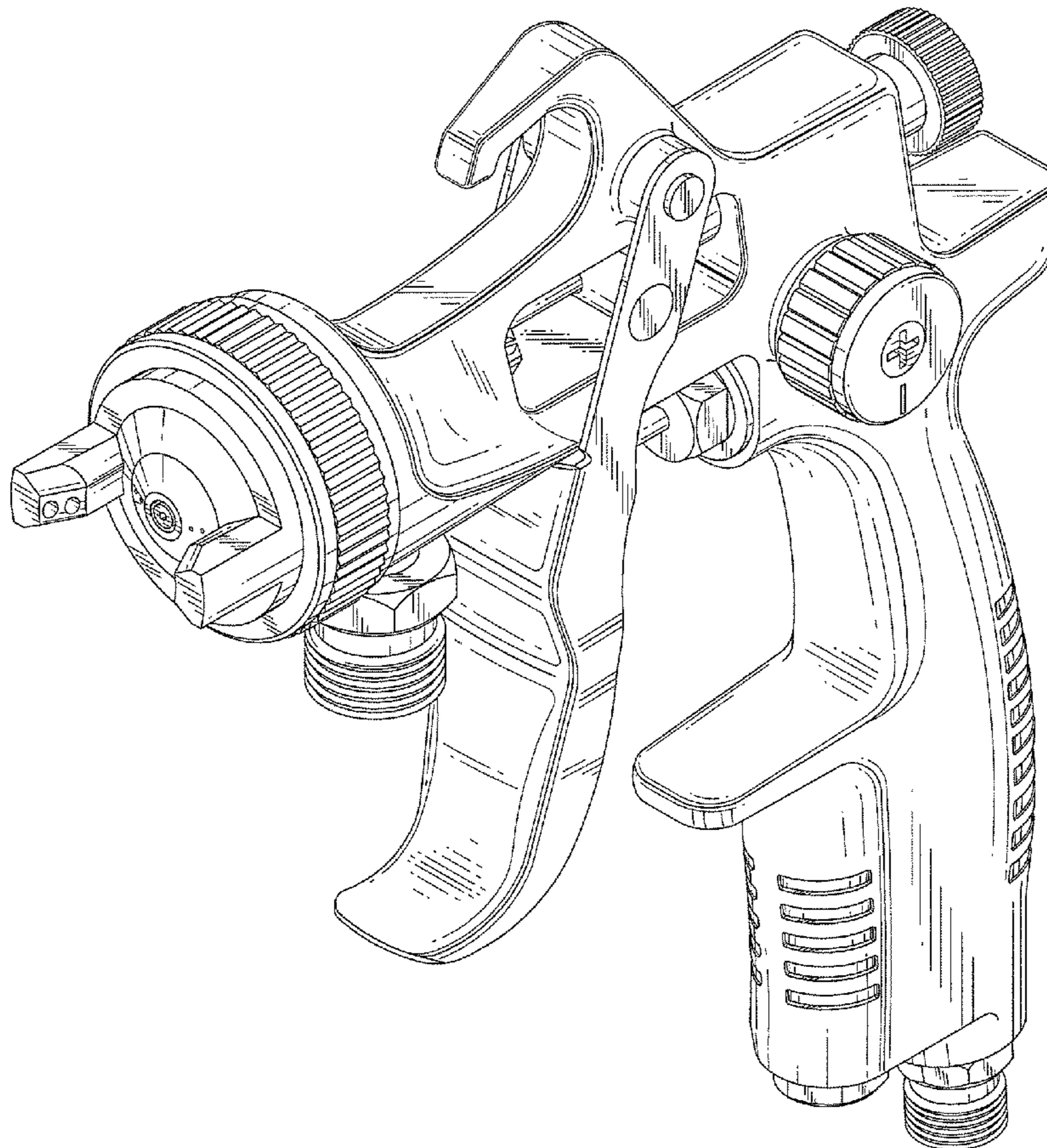
FIG. 4 is a left side elevational view thereof;

FIG. 5 is a right side elevational view thereof;

FIG. 6 is a top plan view thereof; and,

FIG. 7 is a bottom plan view thereof.

1 Claim, 7 Drawing Sheets



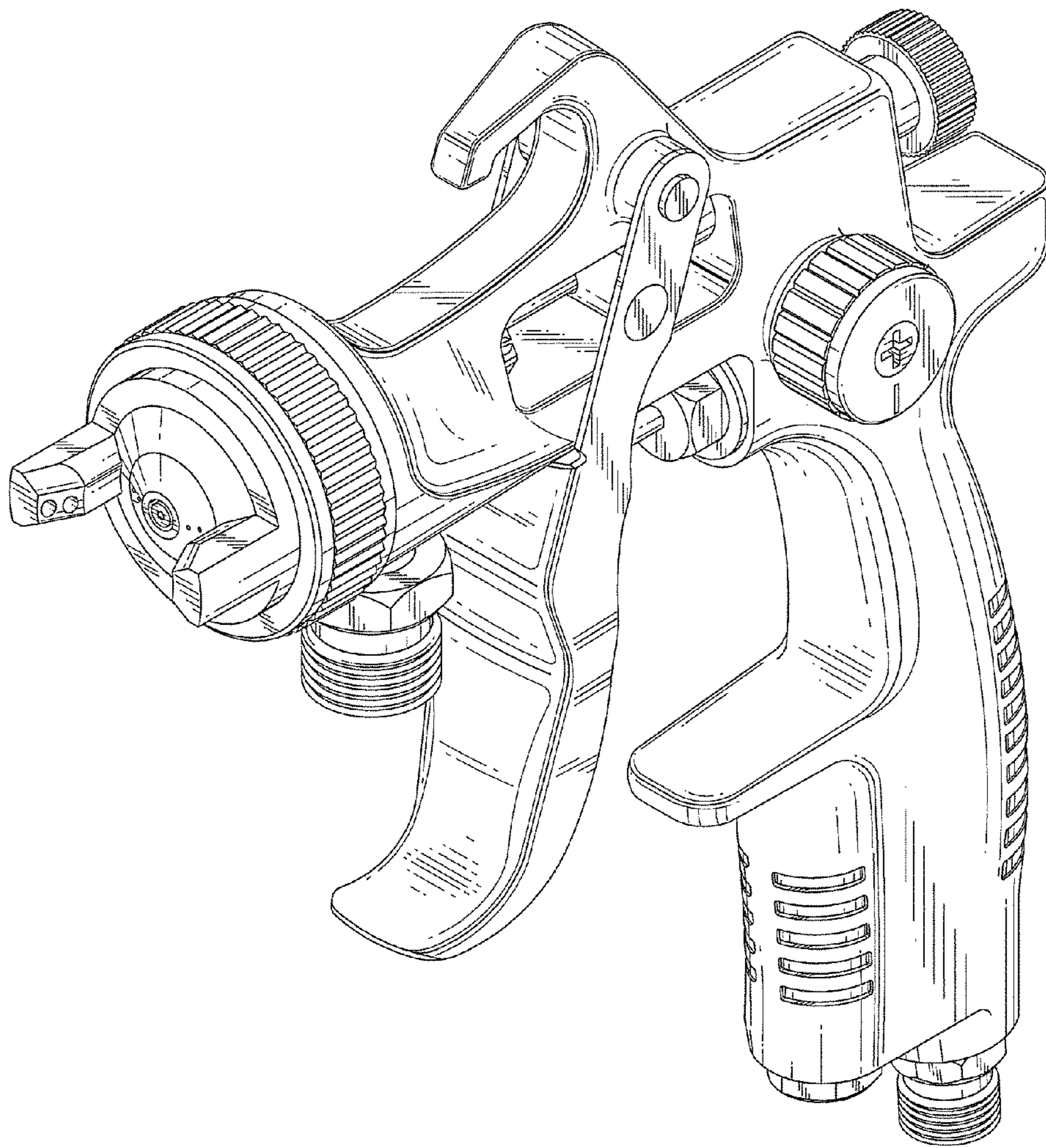


FIG. 1

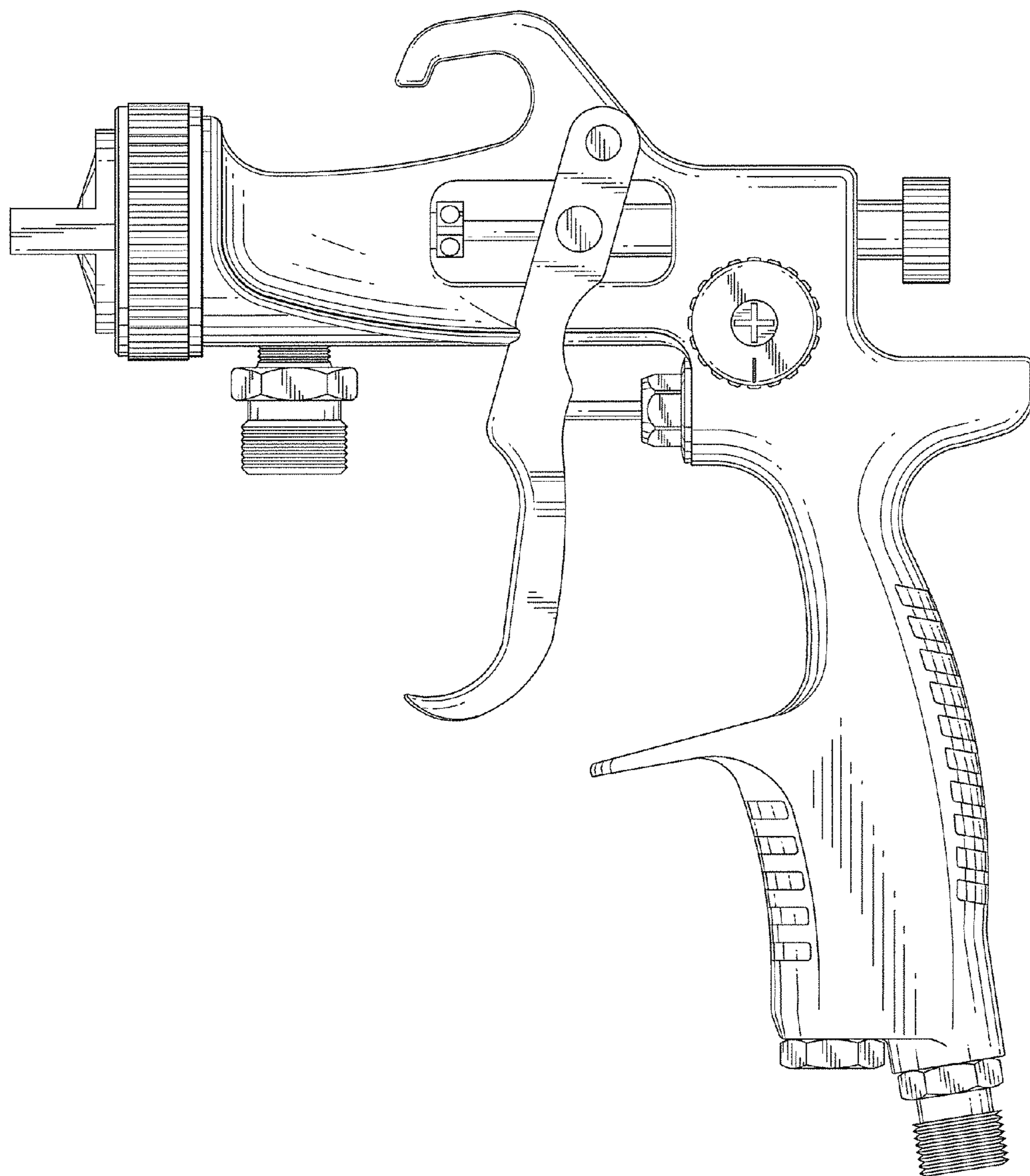


FIG. 2

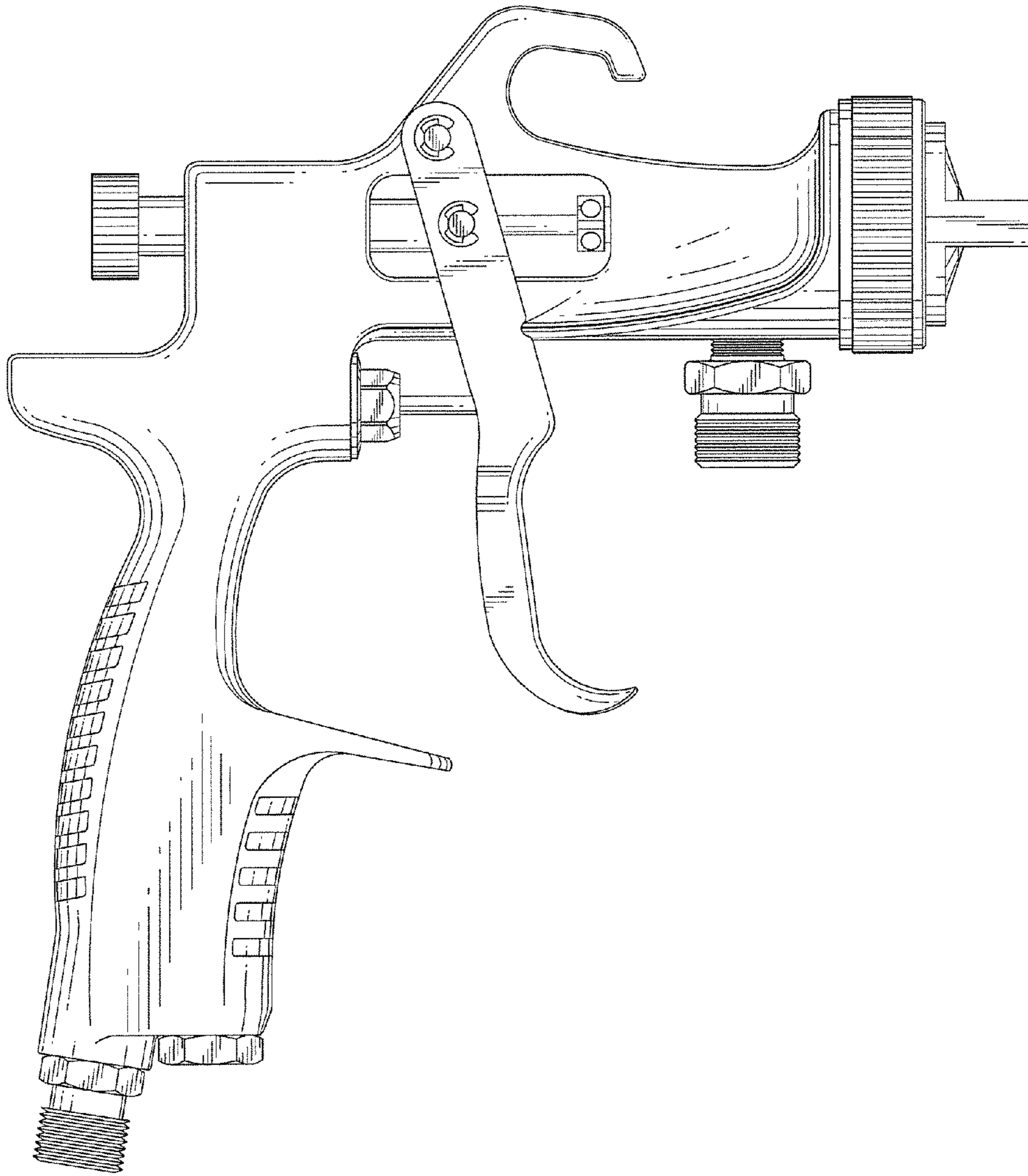


FIG. 3

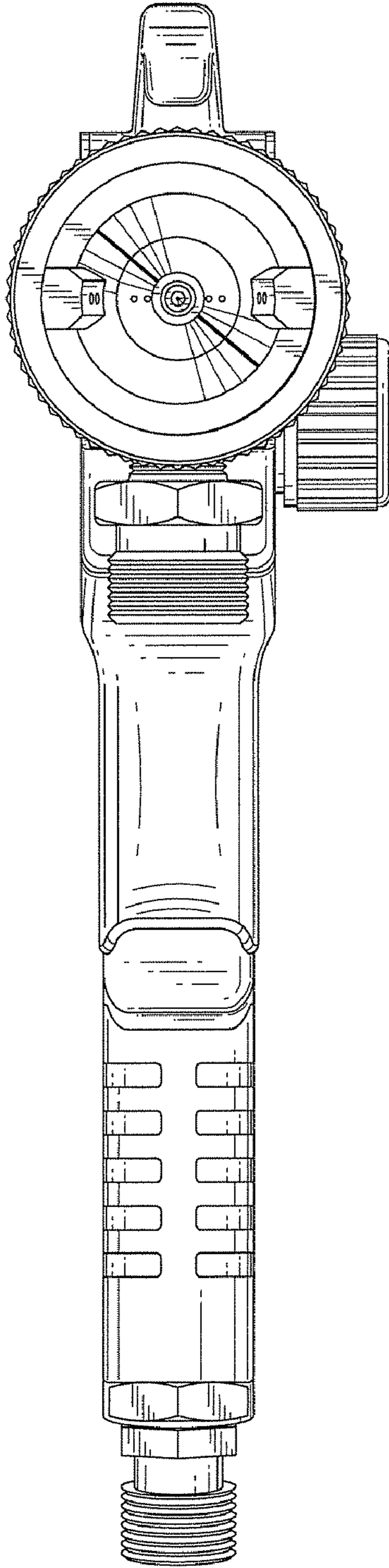


FIG. 4

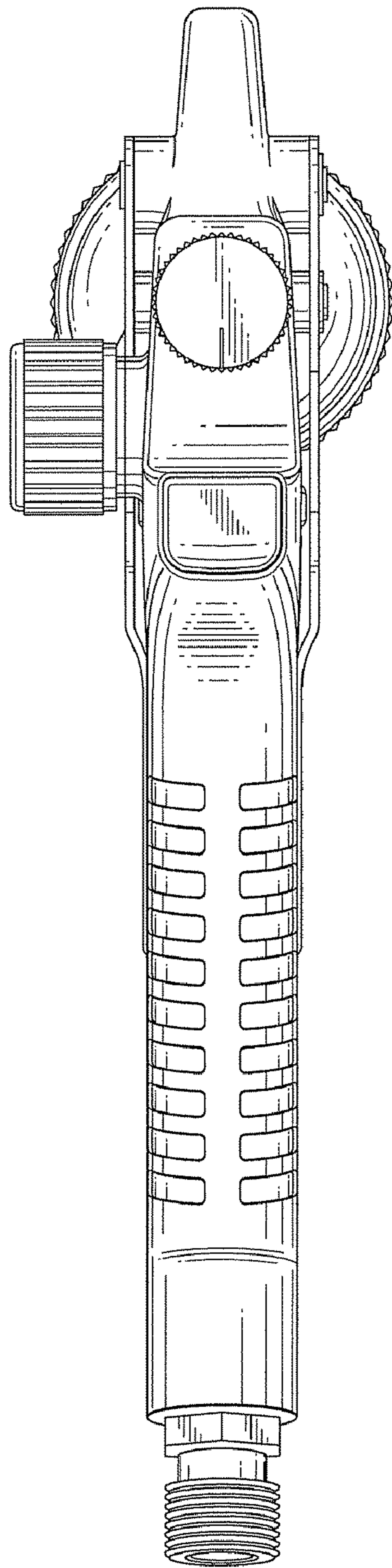


FIG. 5

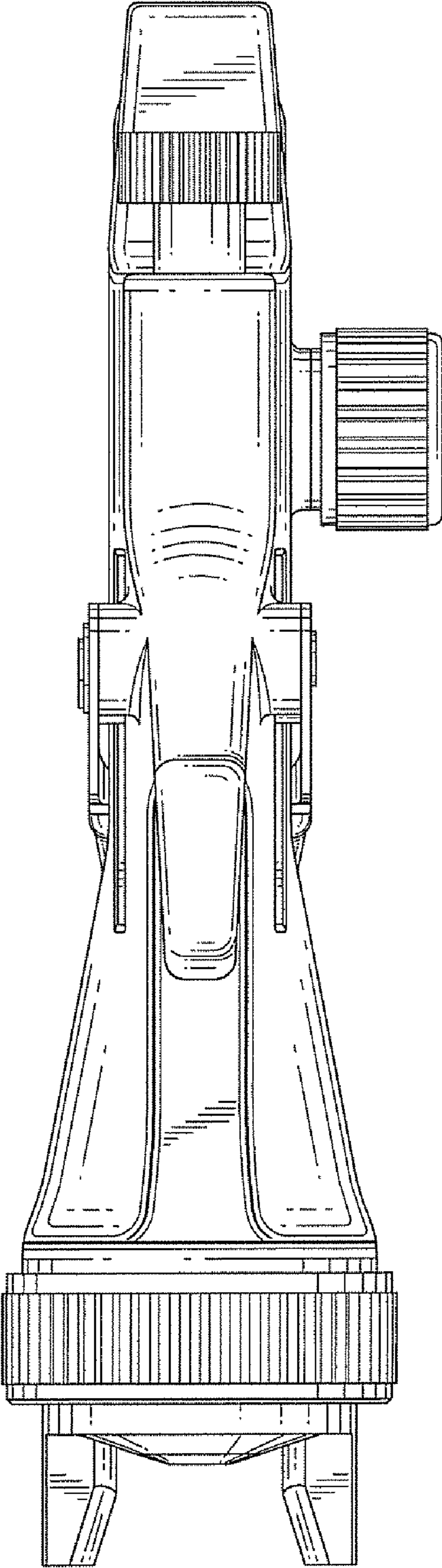


FIG. 6

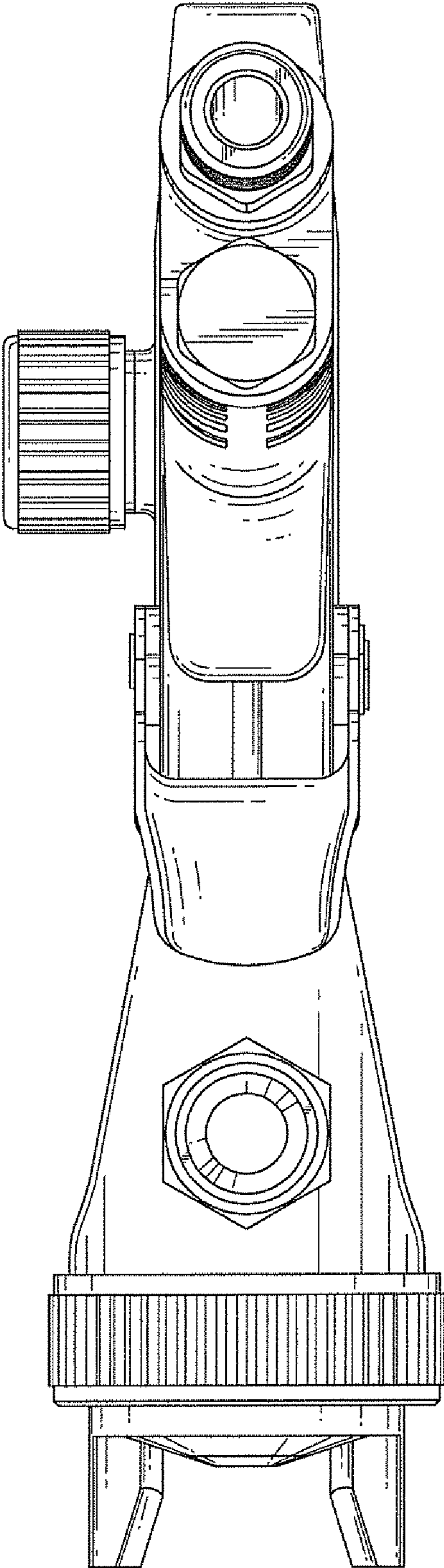


FIG. 7