



US00D641066S

(12) **United States Design Patent**  
**Choi**

(10) **Patent No.:** **US D641,066 S**

(45) **Date of Patent:** **\*\* Jul. 5, 2011**

(54) **WATER PURIFIER FOR A SINK**

(75) Inventor: **Hun Jung Choi**, Seoul (KR)

(73) Assignee: **Woogjin Coway Co., Ltd.**,  
Choongcheongnam-Do (KR)

(\*\*) Term: **14 Years**

(21) Appl. No.: **29/382,837**

(22) Filed: **Jan. 7, 2011**

(30) **Foreign Application Priority Data**

Jul. 8, 2010 (KR) ..... 30-2010-0029971

(51) **LOC (9) Cl.** ..... **23-01**

(52) **U.S. Cl.** ..... **D23/209**

(58) **Field of Classification Search** ..... D23/207,  
D23/209; 210/282, 497.01, 498, 464; 137/801  
See application file for complete search history.

(56) **References Cited**

**U.S. PATENT DOCUMENTS**

D221,850 S \* 9/1971 Anderson ..... D23/209  
D290,638 S \* 6/1987 Bishop ..... D23/207  
D407,462 S \* 3/1999 Bishop et al. .... D23/207

D482,101 S \* 11/2003 Rampen et al. .... D23/209  
D582,002 S \* 12/2008 Suthmann ..... D23/209  
D610,649 S \* 2/2010 Kulikov et al. .... D23/209  
D610,650 S 2/2010 Kulikov et al.

\* cited by examiner

*Primary Examiner* — Robin Webster

(74) *Attorney, Agent, or Firm* — McDermott Will & Emery  
LLP

(57) **CLAIM**

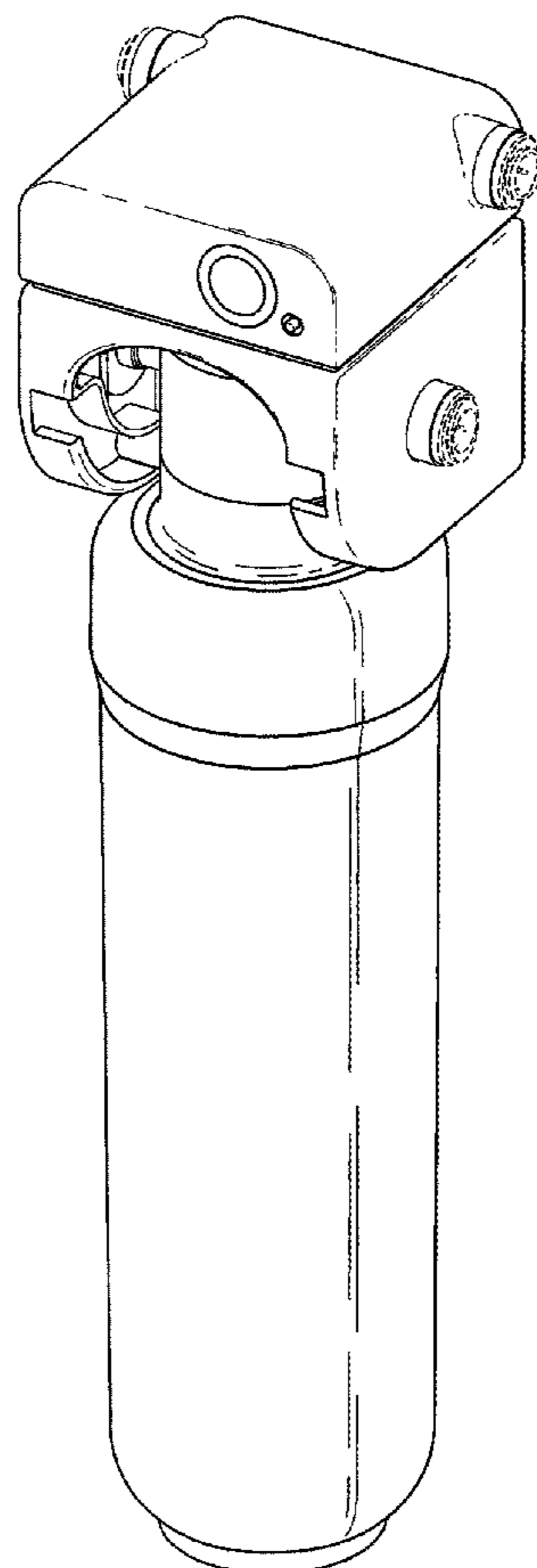
I claim the ornamental design for a water purifier for a sink, as shown and described.

**DESCRIPTION**

FIG. 1 is a perspective view of a water purifier for a sink;  
FIG. 2 is a front view thereof;  
FIG. 3 is a rear view thereof;  
FIG. 4 is a left side view thereof;  
FIG. 5 is a right side view thereof;  
FIG. 6 is a top plan view thereof; and,  
FIG. 7 is a bottom view thereof.

The broken line showing of the water purifier for a sink in FIGS. 1-7 is for the purpose of illustration and forms no part of the claimed design.

**1 Claim, 4 Drawing Sheets**



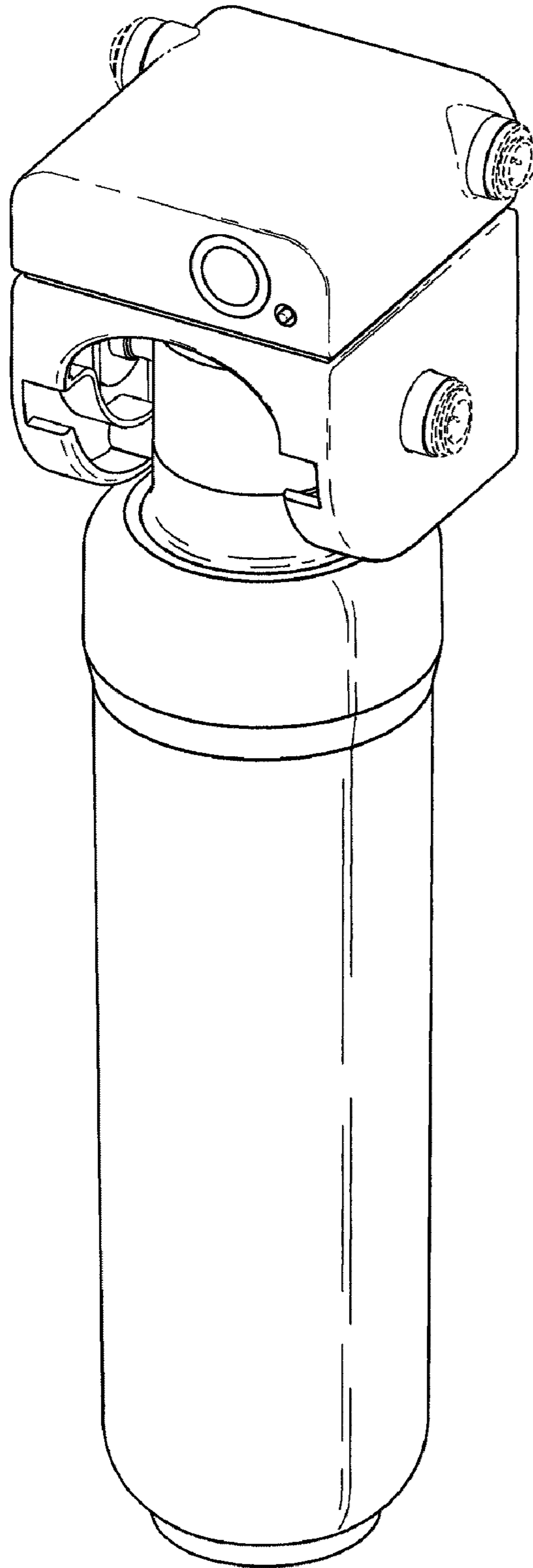


FIG. 1

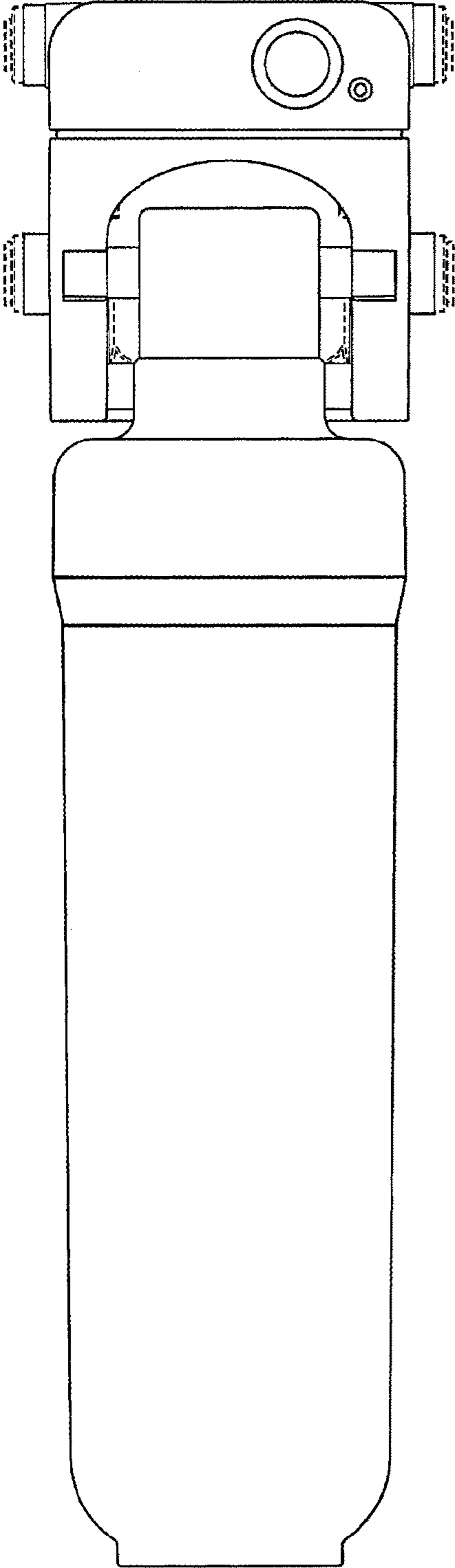


FIG. 2

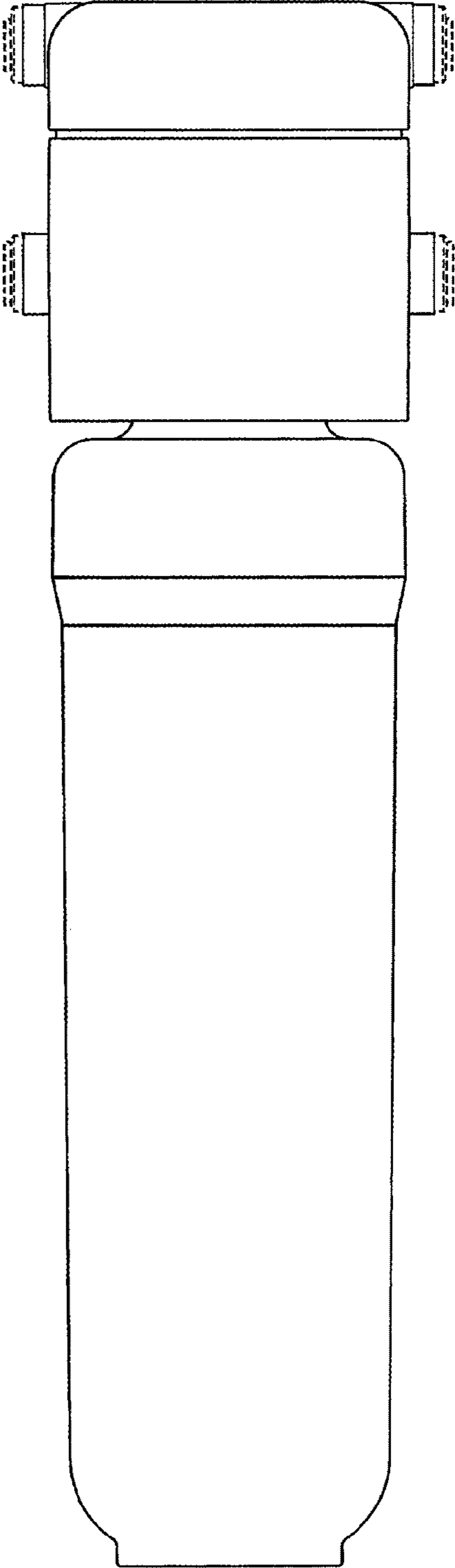


FIG. 3

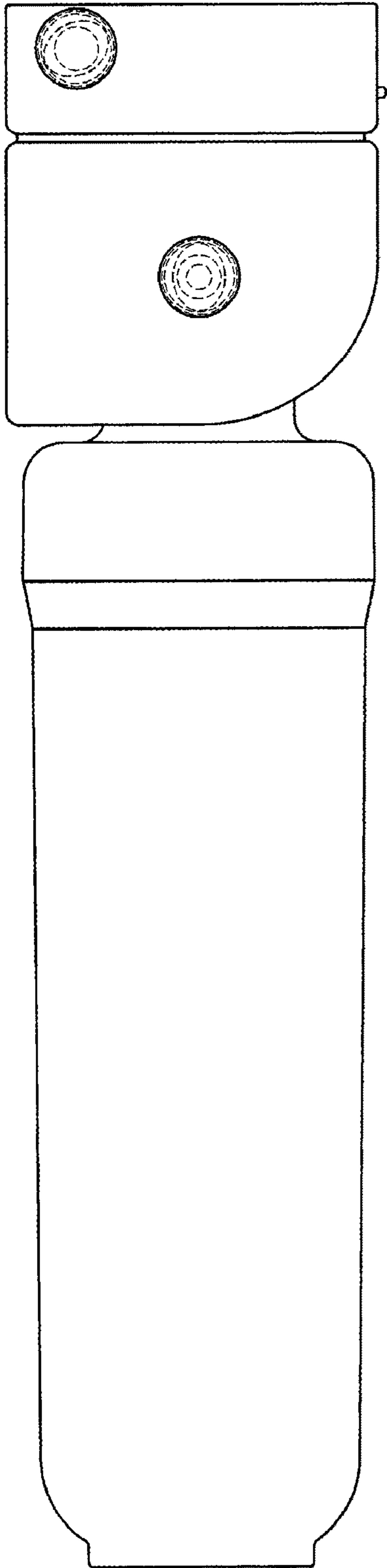


FIG. 4

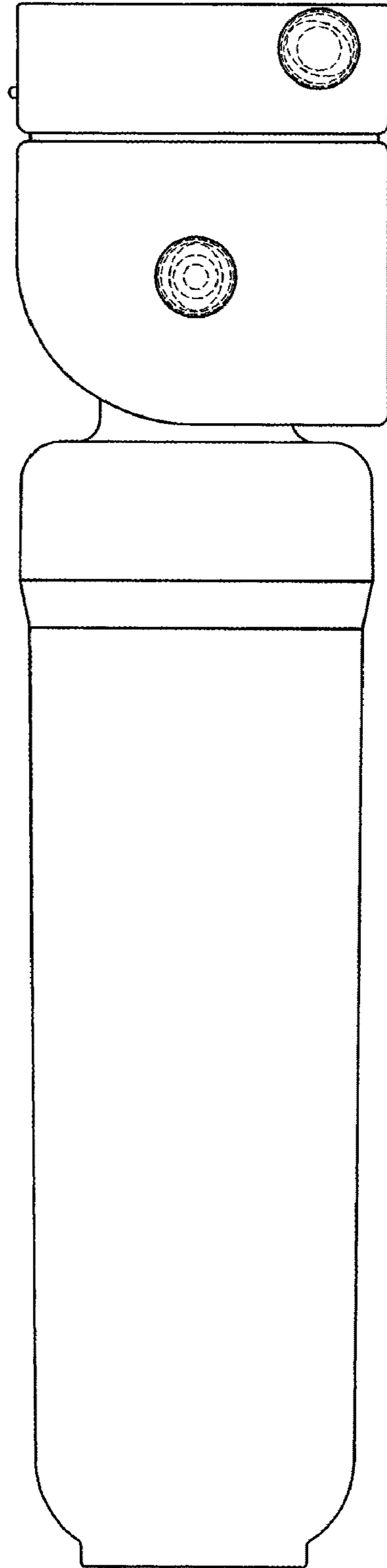


FIG. 5

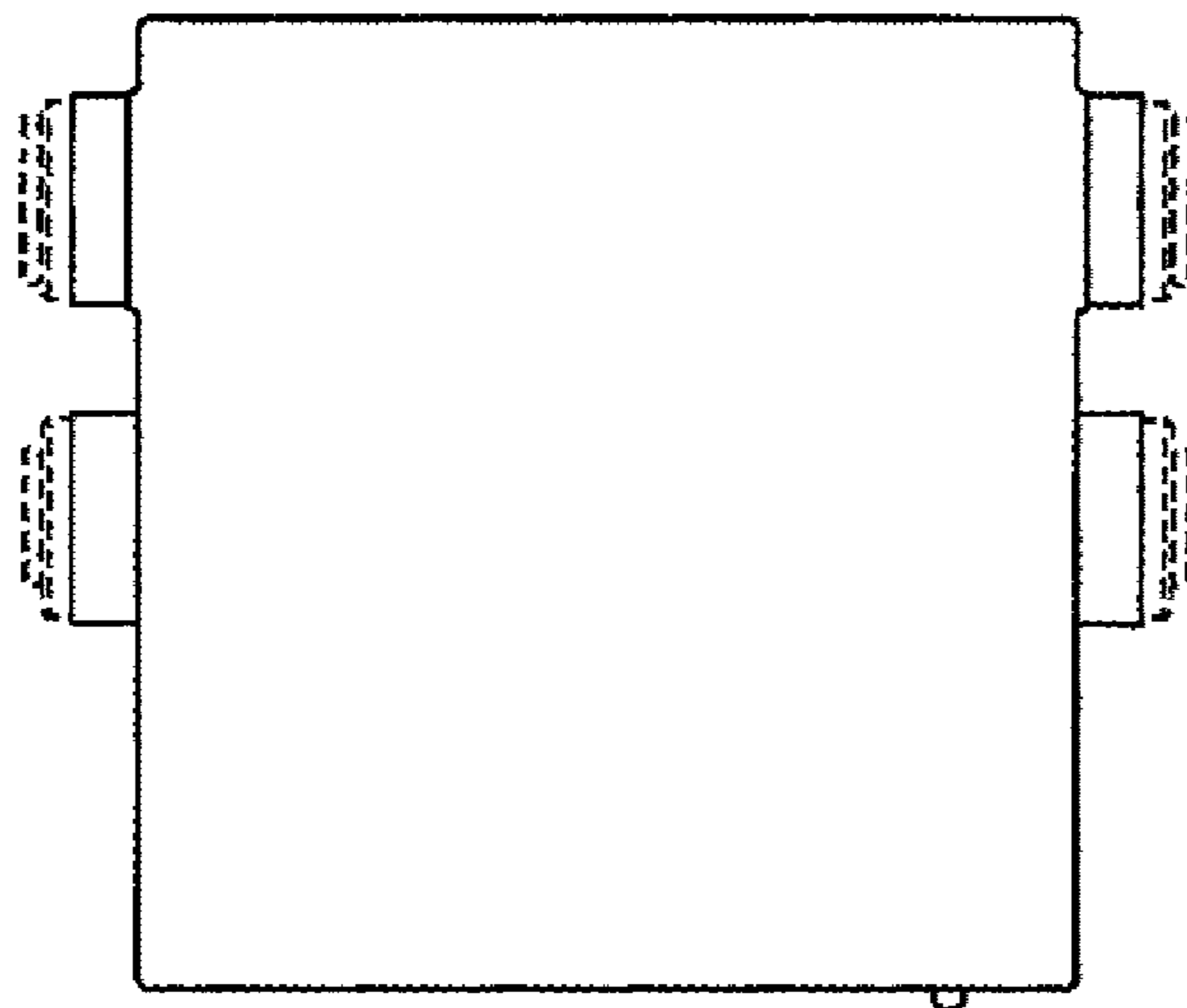


FIG. 6

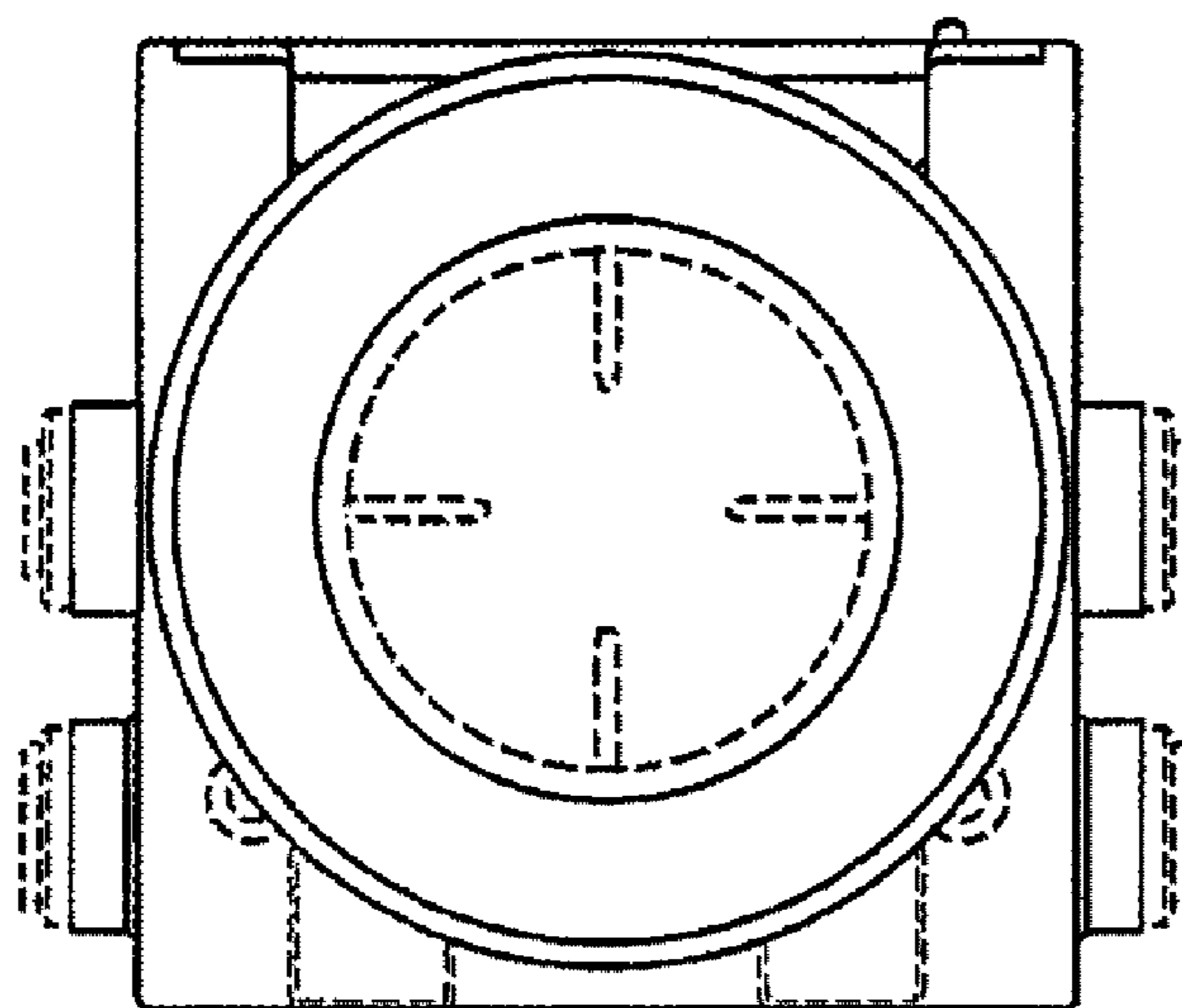


FIG. 7