



US00D641065S

(12) **United States Design Patent**
Choi

(10) **Patent No.:** **US D641,065 S**

(45) **Date of Patent:** **** Jul. 5, 2011**

(54) **WATER COOLER FOR A WATER PURIFIER
IN A SINK**

D614,727 S * 4/2010 Therkelsen et al. D23/207
D633,982 S * 3/2011 Palmer et al. D23/209
D634,399 S * 3/2011 Palmer et al. D23/209

(75) Inventor: **Hun Jung Choi**, Seoul (KR)

FOREIGN PATENT DOCUMENTS

(73) Assignee: **Woongjin Coway Co., Ltd.**,
Choongcheongnam-do (KR)

EM 001701459-0001 5/2010
EM 001237788-0001 10/2010

(**) Term: **14 Years**

* cited by examiner

(21) Appl. No.: **29/381,850**

Primary Examiner — Robin Webster

(22) Filed: **Dec. 23, 2010**

(74) *Attorney, Agent, or Firm* — McDermott Will & Emery
LLP

(30) **Foreign Application Priority Data**

(57) **CLAIM**

Jun. 25, 2010 (KR) 30-2010-0027977

I claim the ornamental design for a water cooler for a water purifier in a sink, as shown and described.

(51) **LOC (9) Cl.** **23-01**

DESCRIPTION

(52) **U.S. Cl.** **D23/207**

(58) **Field of Classification Search** D23/207,
D23/209; 210/239, 460; 62/157
See application file for complete search history.

FIG. 1 is a perspective view of a water cooler for a water purifier in a sink

FIG. 2 is a front view thereof

FIG. 3 is a left side view thereof; and,

FIG. 4 is a top plan view thereof.

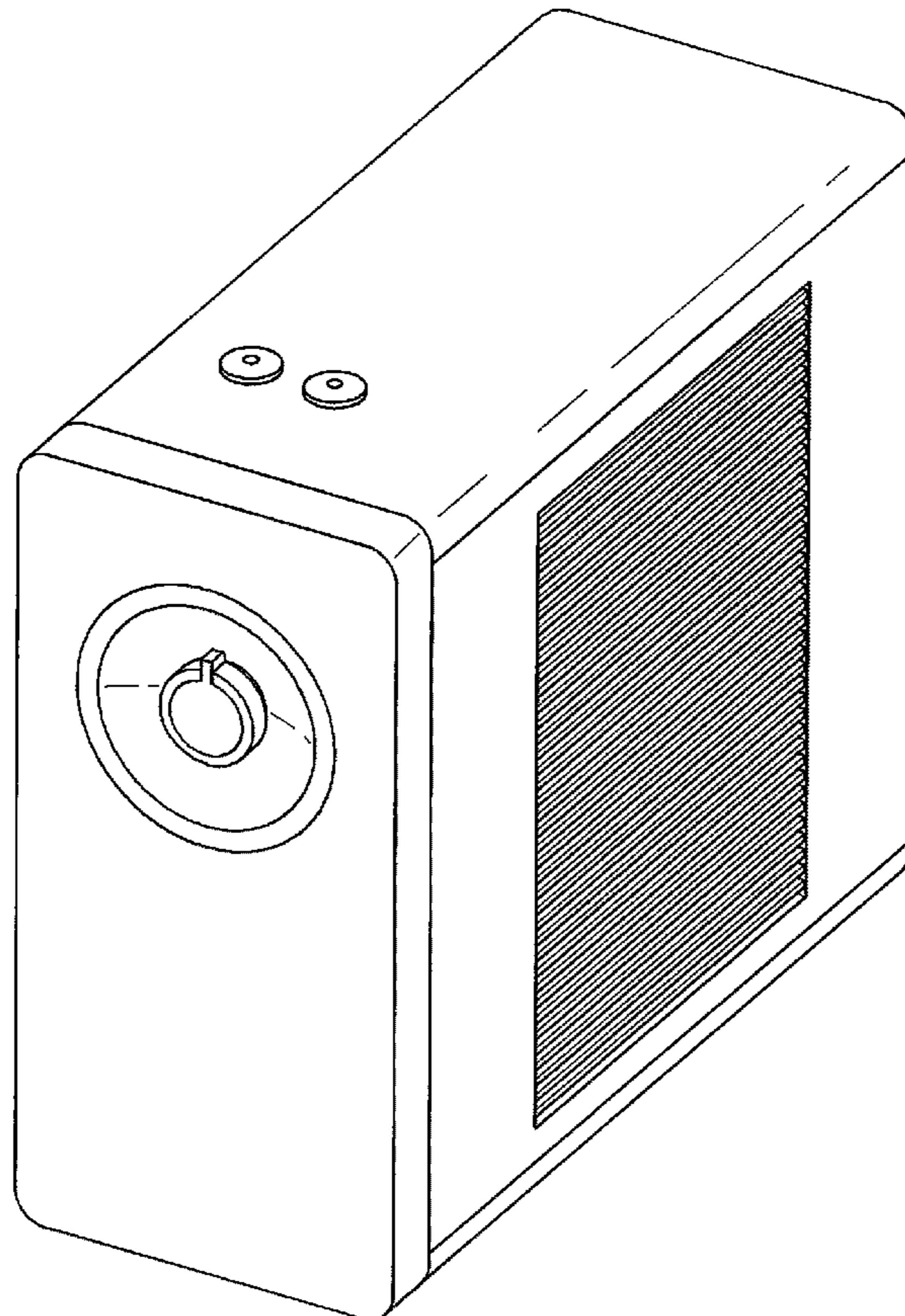
The broken line showing of the water cooler for a water purifier in a sink in FIGS. 2 and 3 is for the purpose of illustration and forms no part of the claimed design.

(56) **References Cited**

U.S. PATENT DOCUMENTS

D422,679 S * 4/2000 Burrows D23/209
D477,048 S * 7/2003 Yang D23/207

1 Claim, 4 Drawing Sheets



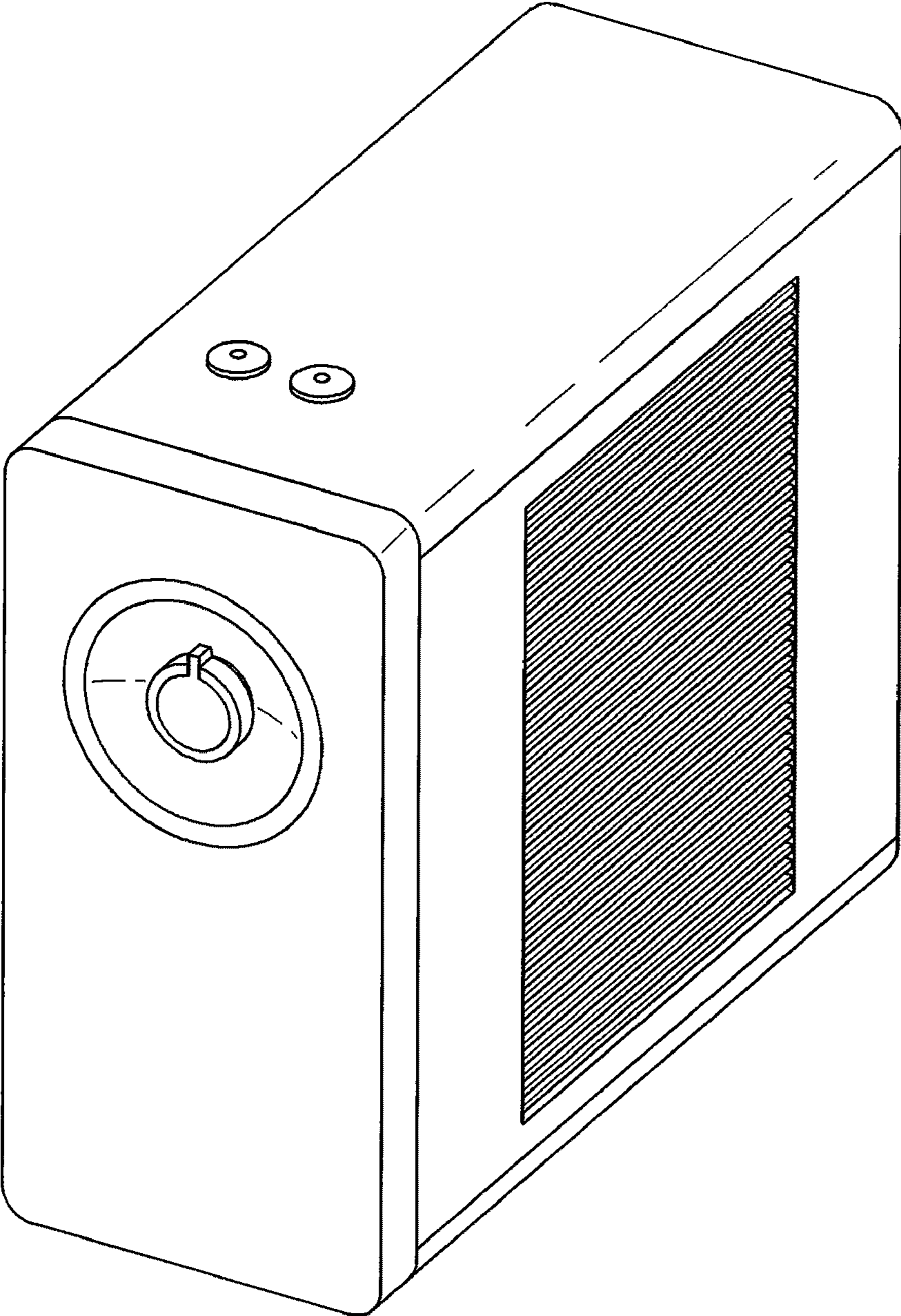


FIG. 1

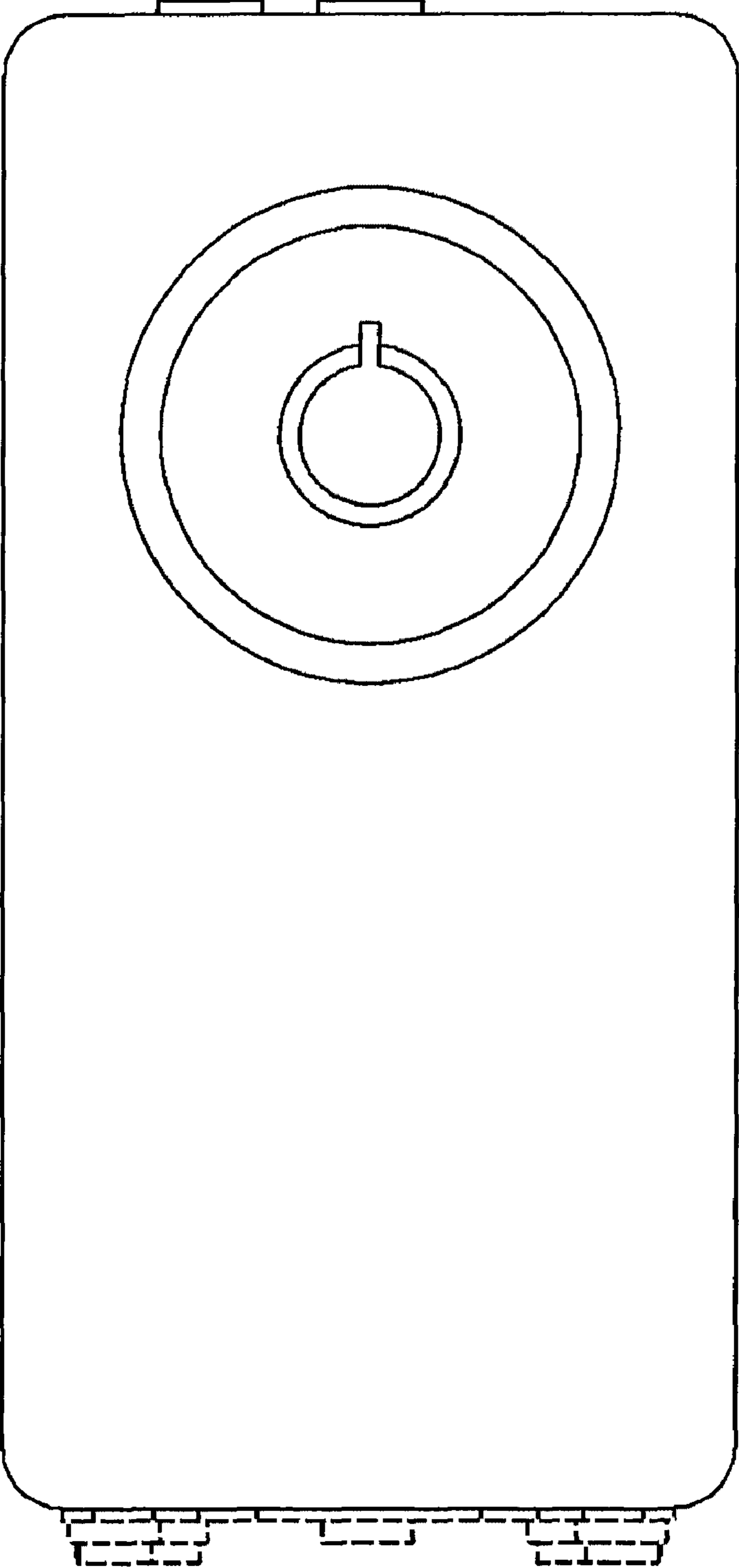


FIG. 2

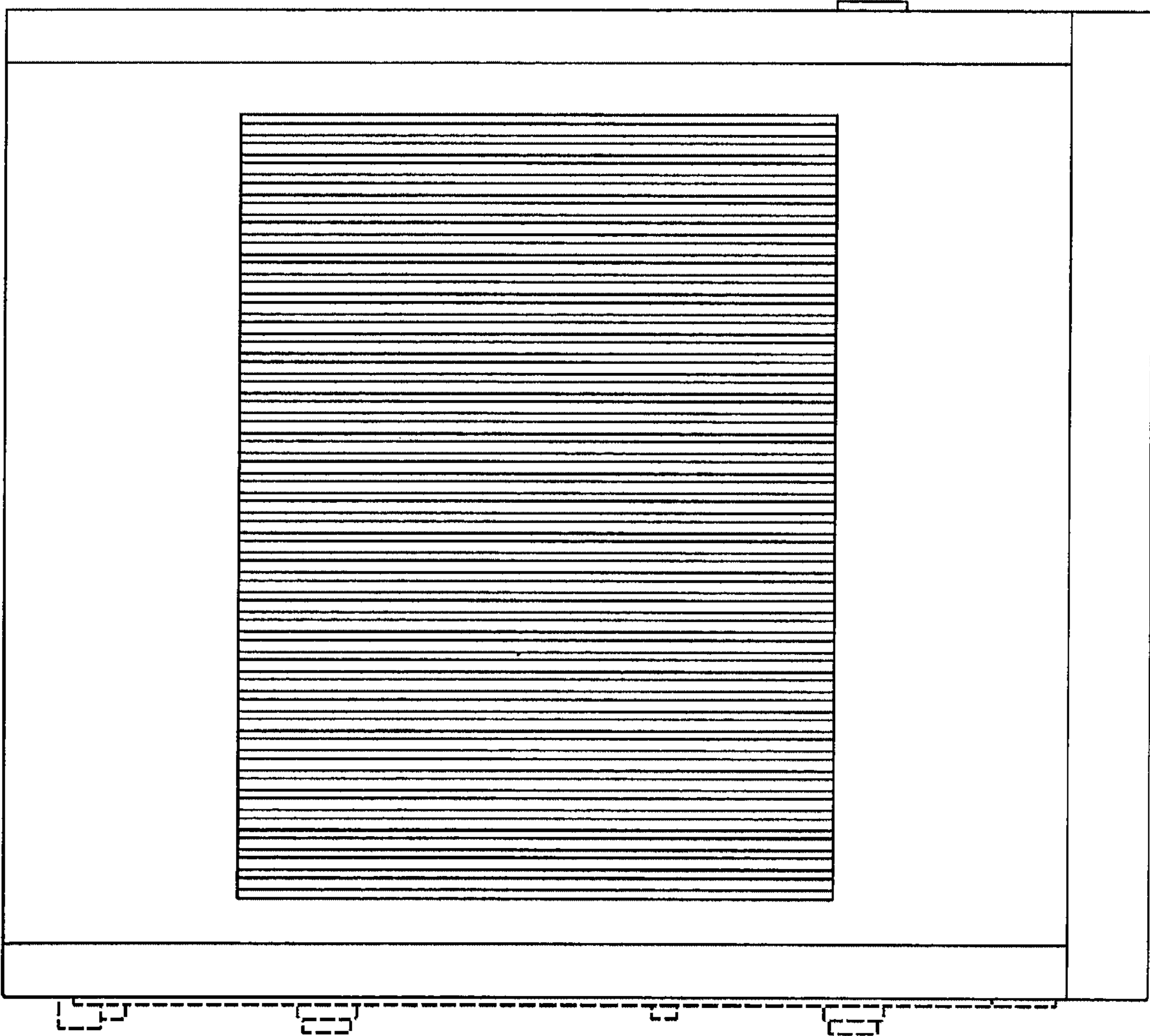


FIG. 3

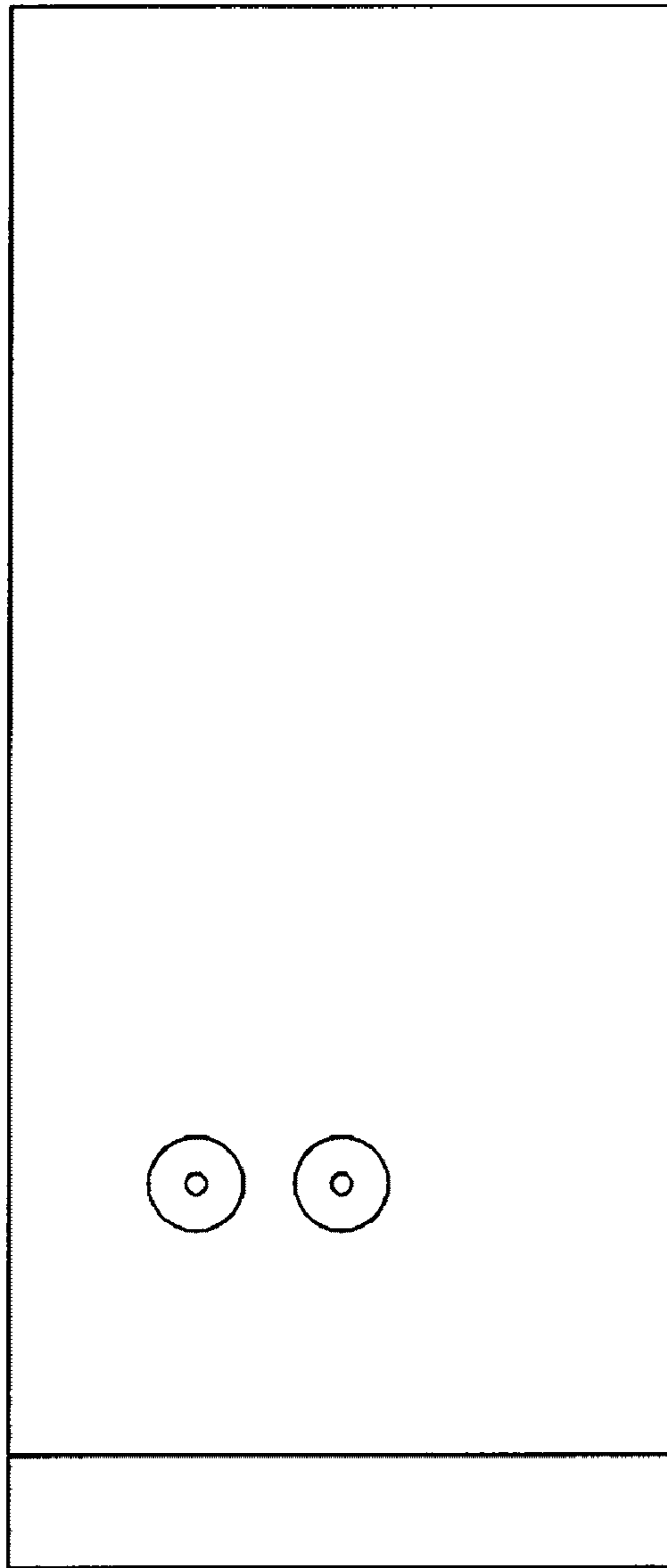


FIG. 4