

US00D641064S

(12) **United States Design Patent**
Cogswell, Jr. et al.

(10) **Patent No.:** **US D641,064 S**
(45) **Date of Patent:** **** Jul. 5, 2011**

(54) **PROPANE TANK TRANSPORT STABILIZER**

(76) Inventors: **Earl S. Cogswell, Jr.**, Norwell, MA
(US); **Donna J. Cogswell**, Norwell, MA
(US)

(**) Term: **14 Years**

(21) Appl. No.: **29/349,723**

(22) Filed: **Apr. 27, 2010**

5,813,643 A *	9/1998	Zybert	248/310
5,836,554 A	11/1998	Lesage		
6,302,291 B1	10/2001	McCleerey		
6,454,123 B1	9/2002	Ritson		
D474,404 S	5/2003	Tropeano		
D500,117 S	12/2004	Hartmann		
6,863,198 B1	3/2005	Darby		
D523,518 S	6/2006	Moldenhauer		
D525,126 S	7/2006	Rhoades		
7,316,435 B2 *	1/2008	Leighton	294/152
D564,619 S *	3/2008	Cogswell et al.	D23/206
2004/0016855 A1	1/2004	Berry et al.		

* cited by examiner

Related U.S. Application Data

(63) Continuation-in-part of application No. 29/307,144,
filed on Apr. 2, 2008, now abandoned.

(51) **LOC (9) Cl.** **23-01**

(52) **U.S. Cl.** **D23/206**

(58) **Field of Classification Search** D23/206;
248/346.01, 346.05, 310; 220/628-632;
D9/455

See application file for complete search history.

Primary Examiner — Robin V Webster

(74) *Attorney, Agent, or Firm* — John P. McGonagle

(57) **CLAIM**

The ornamental design for a propane tank transport stabilizer,
as shown and described.

DESCRIPTION

FIG. 1 is a perspective view of a propane tank transport stabilizer showing our new design, wherein a partial view of a propane tank is shown in broken lines for illustrative purposes only and forms no part of the claimed design;

FIG. 2 is a front view thereof;

FIG. 3 is a side view, the opposite side being a mirror image thereof;

FIG. 4 is a rear view thereof;

FIG. 5 is a top view thereof; and

FIG. 6 is a bottom view thereof; and,

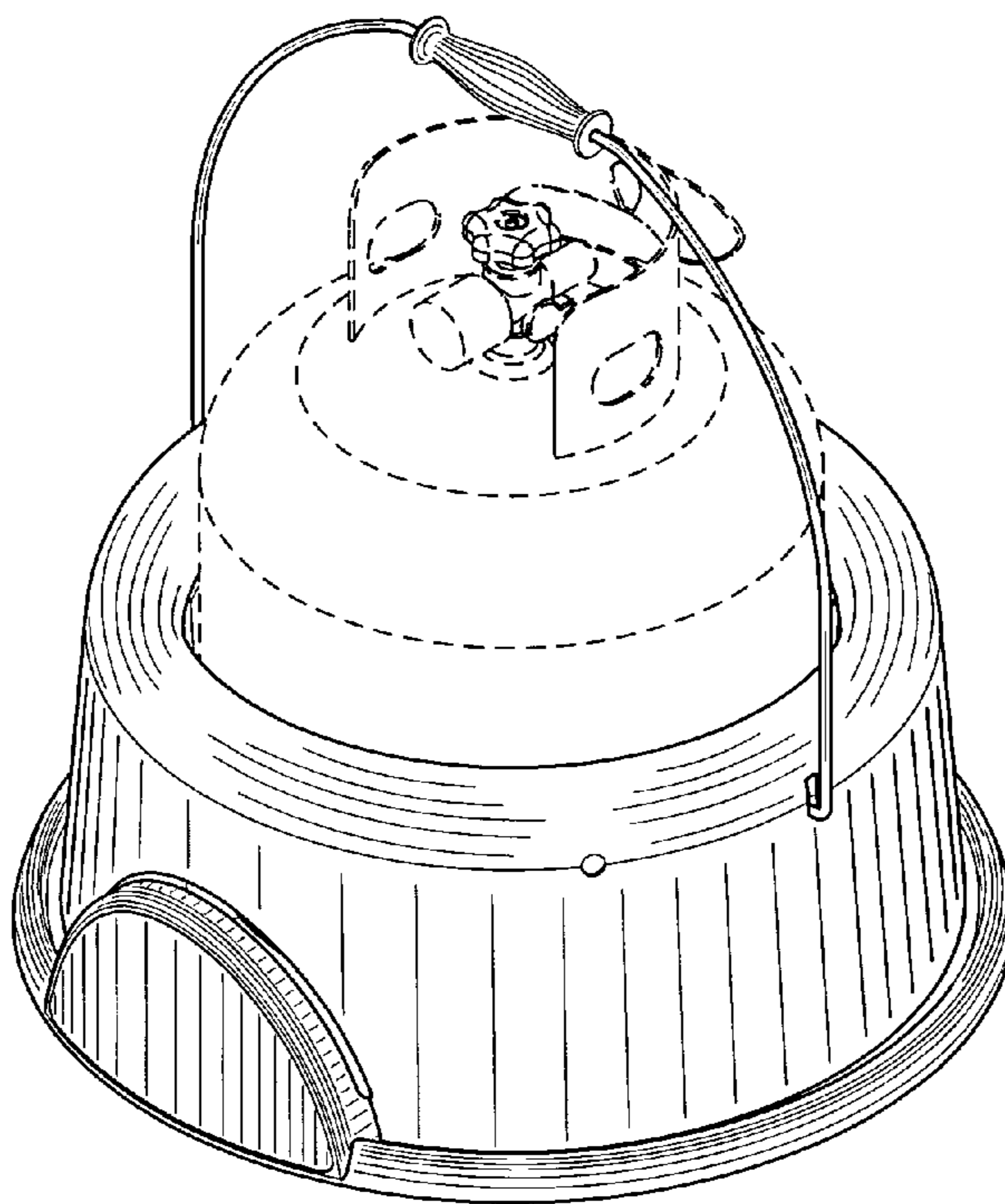
FIG. 7 is a top perspective view with a portion cut away to illustrate the open interior.

(56) **References Cited**

U.S. PATENT DOCUMENTS

4,905,945 A	3/1990	Peterson		
4,907,712 A	3/1990	Stempin		
4,932,621 A	6/1990	Kowk		
D318,428 S	7/1991	Kowk		
5,054,733 A *	10/1991	Shields	248/313
5,143,247 A	9/1992	Gavie		
D331,538 S	12/1992	Fabre		
D331,792 S *	12/1992	Wilcox	D23/206
D340,761 S	10/1993	Long		
D385,615 S	10/1997	St. Louis		
5,799,849 A	9/1998	Beer et al.		

1 Claim, 4 Drawing Sheets



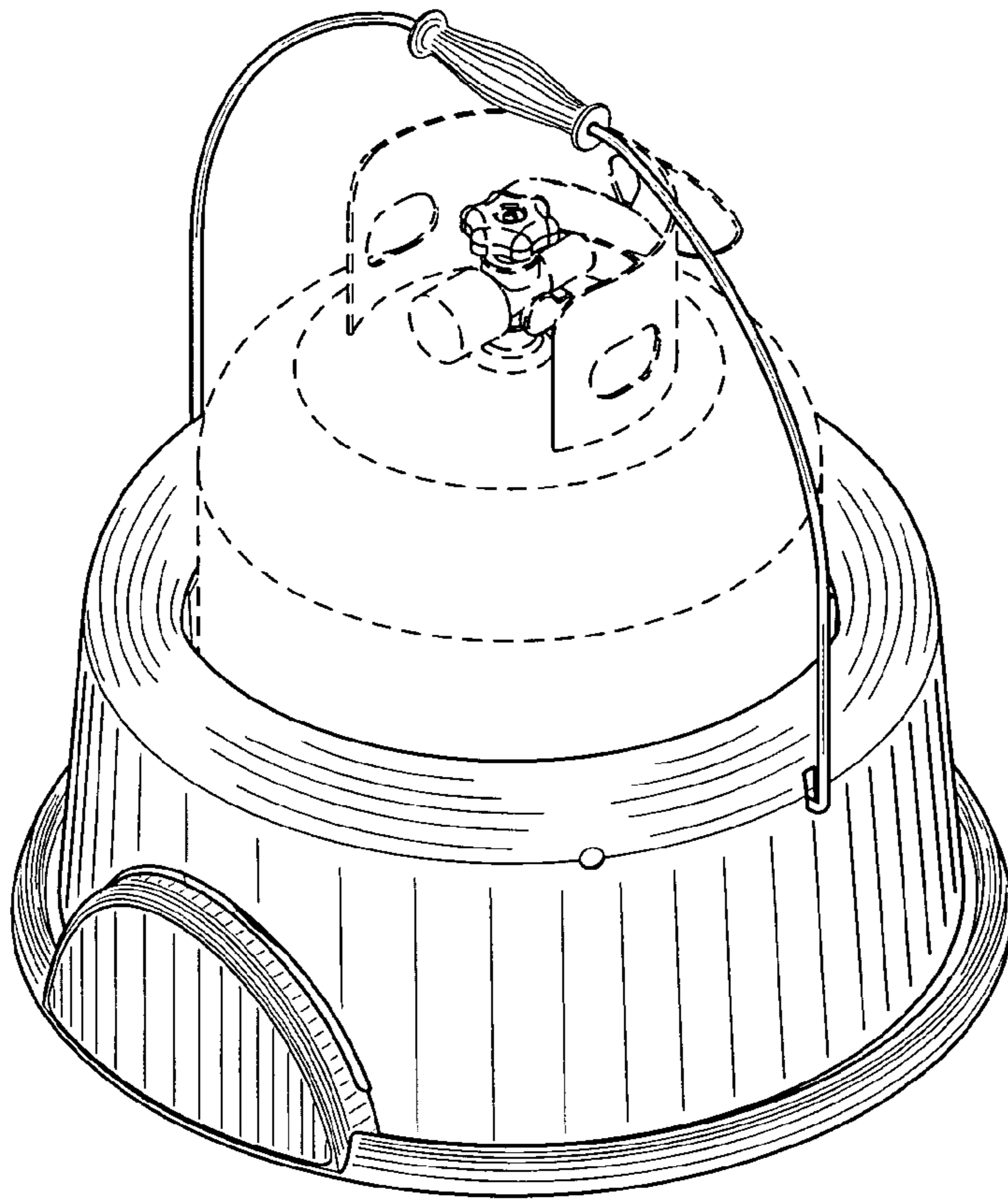


FIG. 1

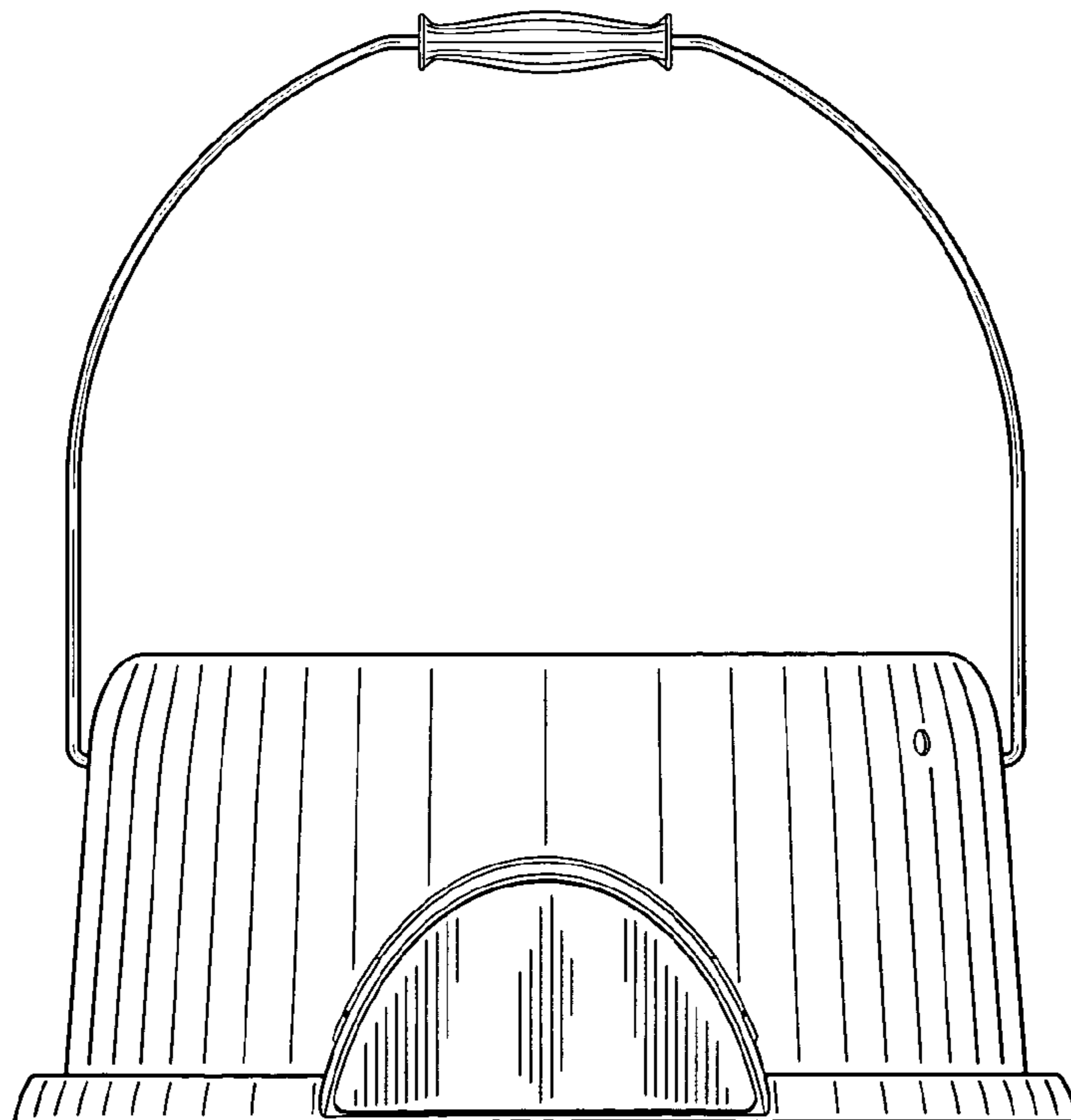


FIG. 2

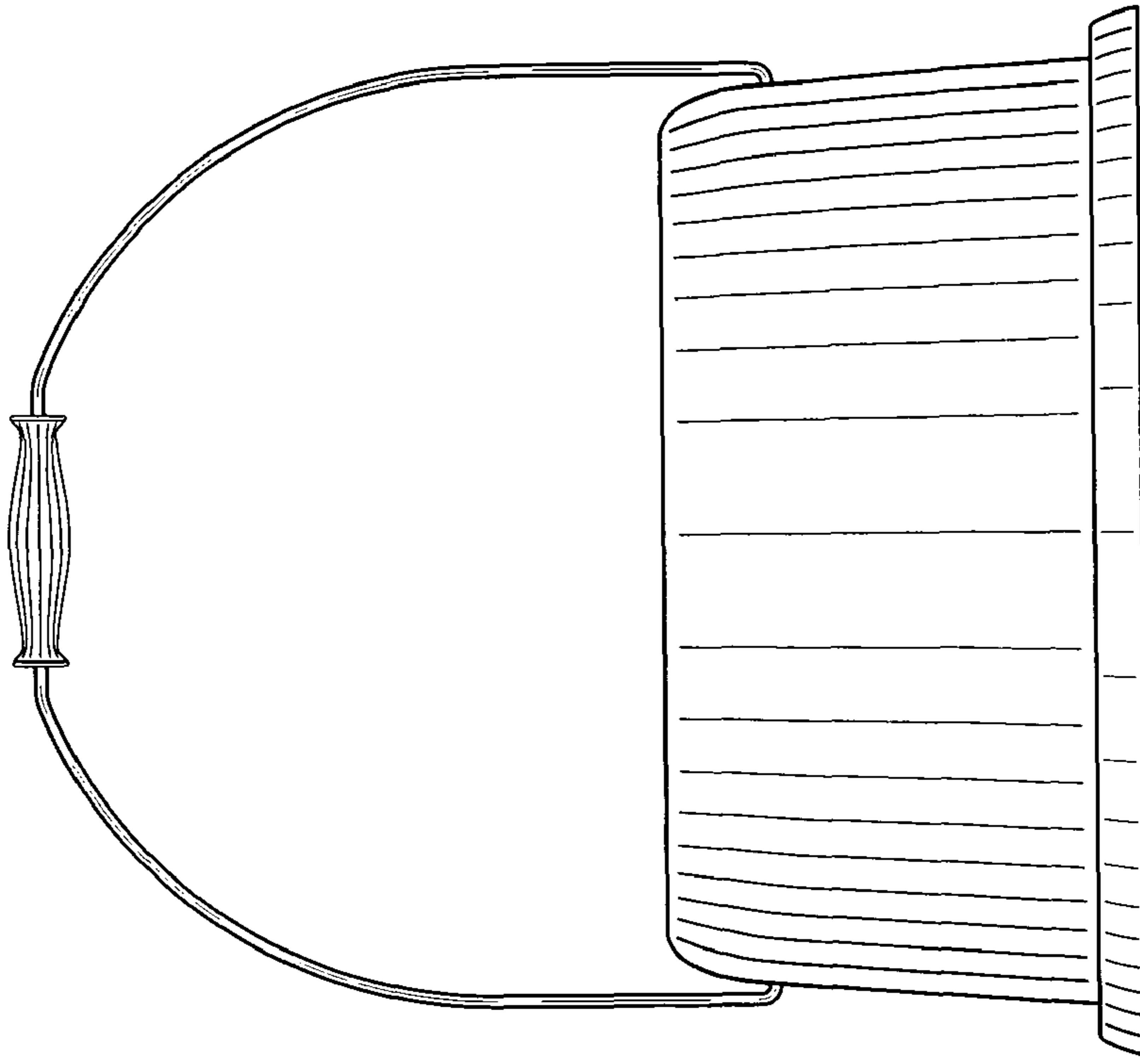


FIG. 4

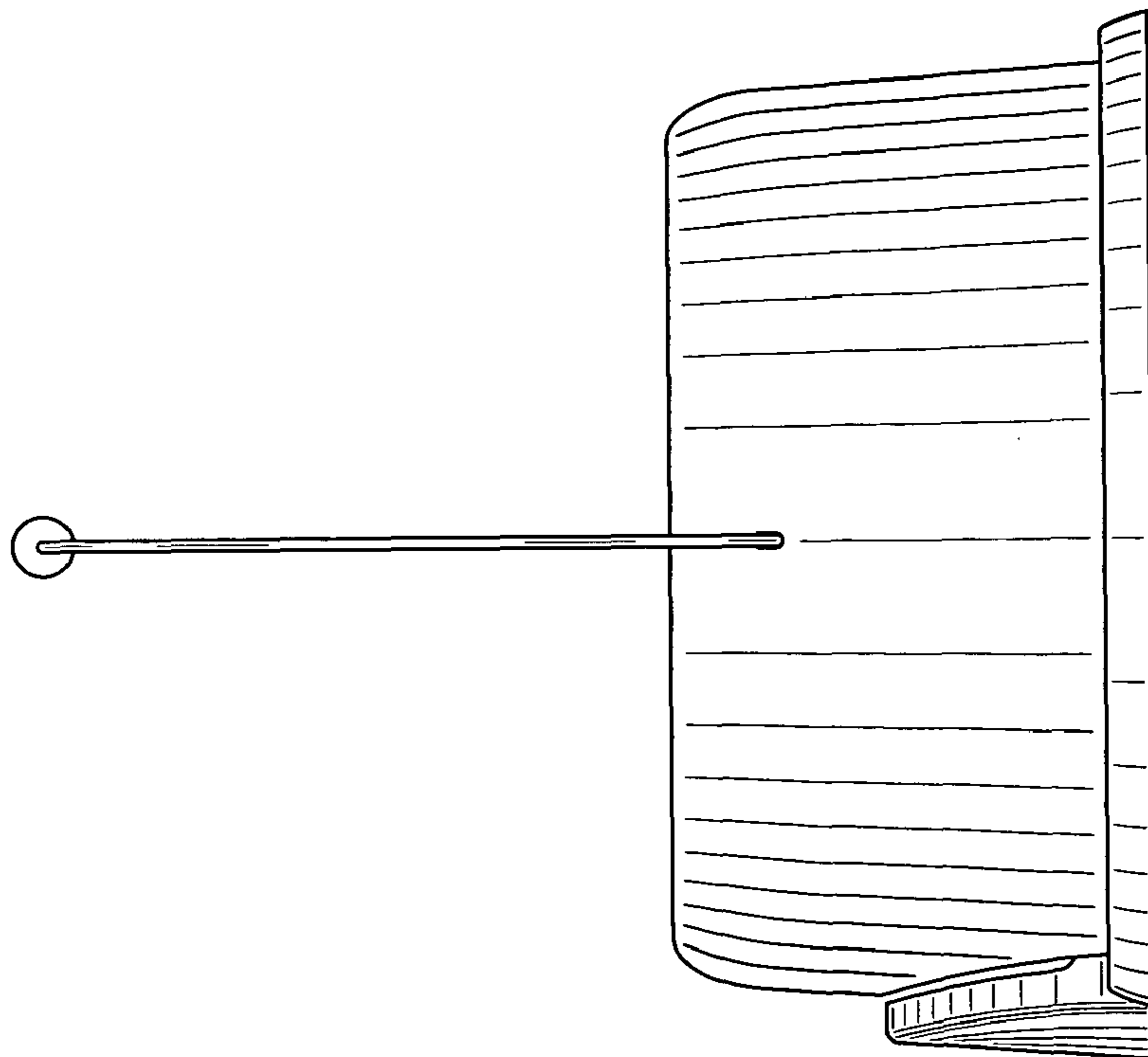


FIG. 3

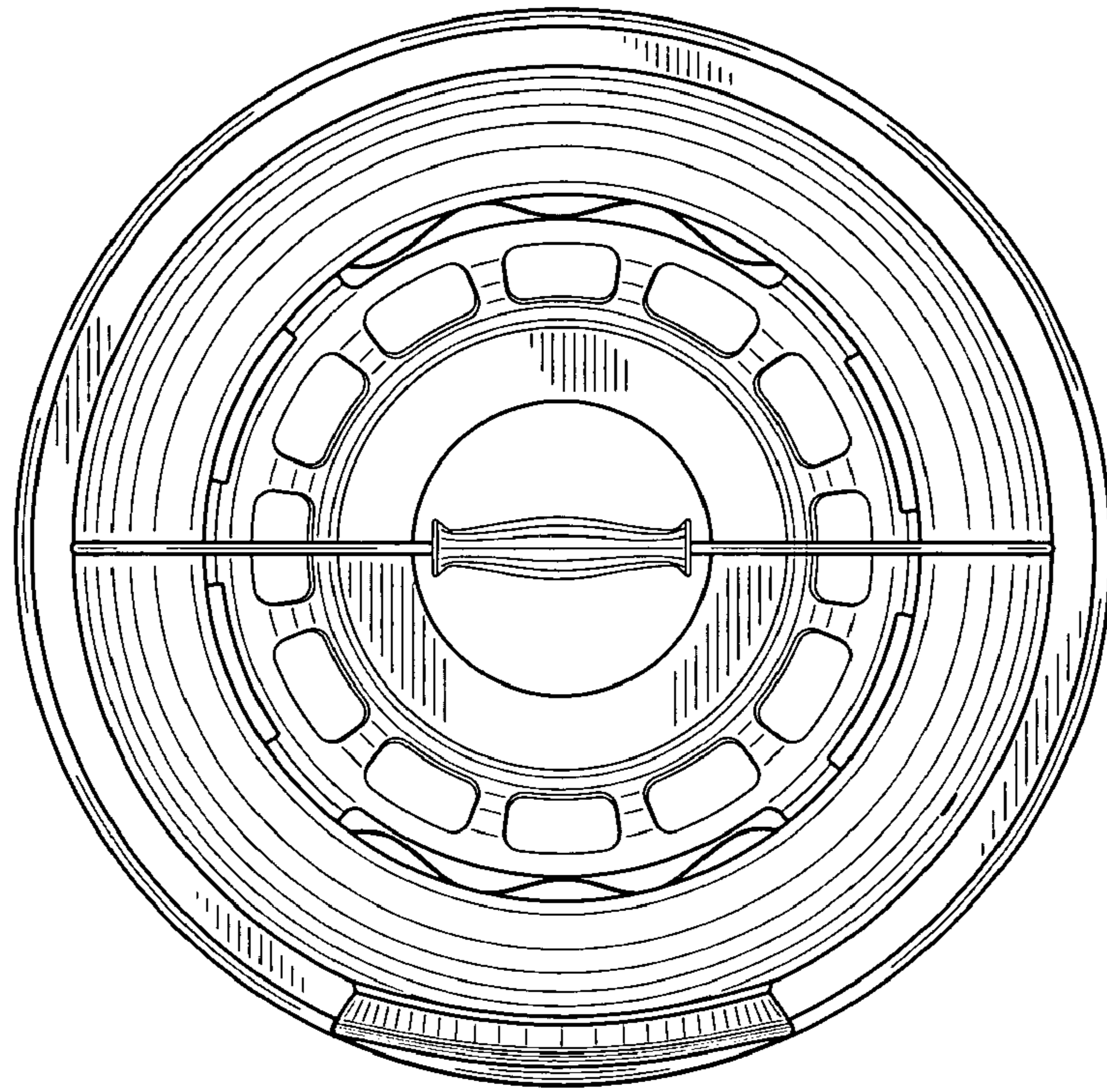


FIG. 5

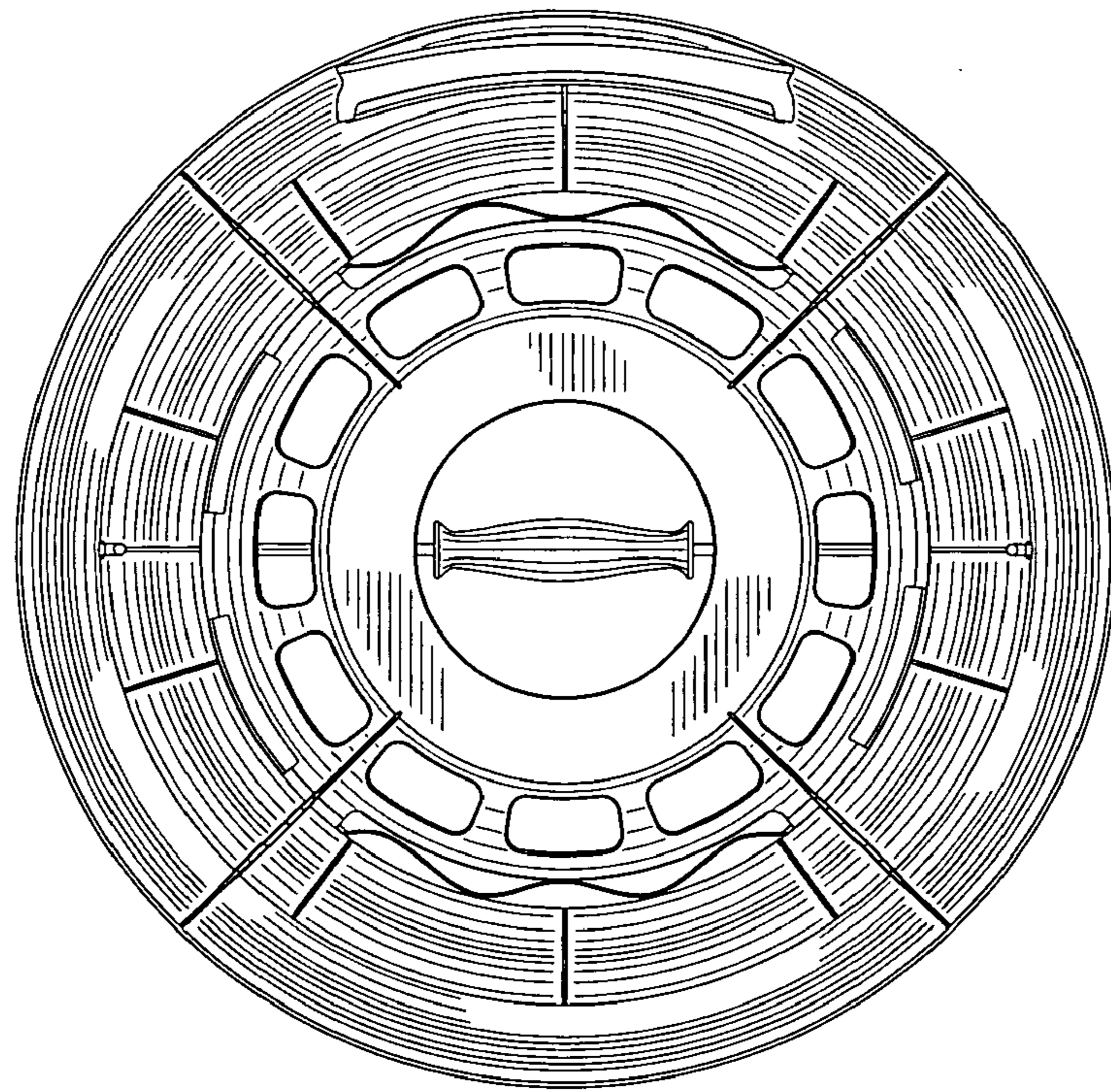


FIG. 6

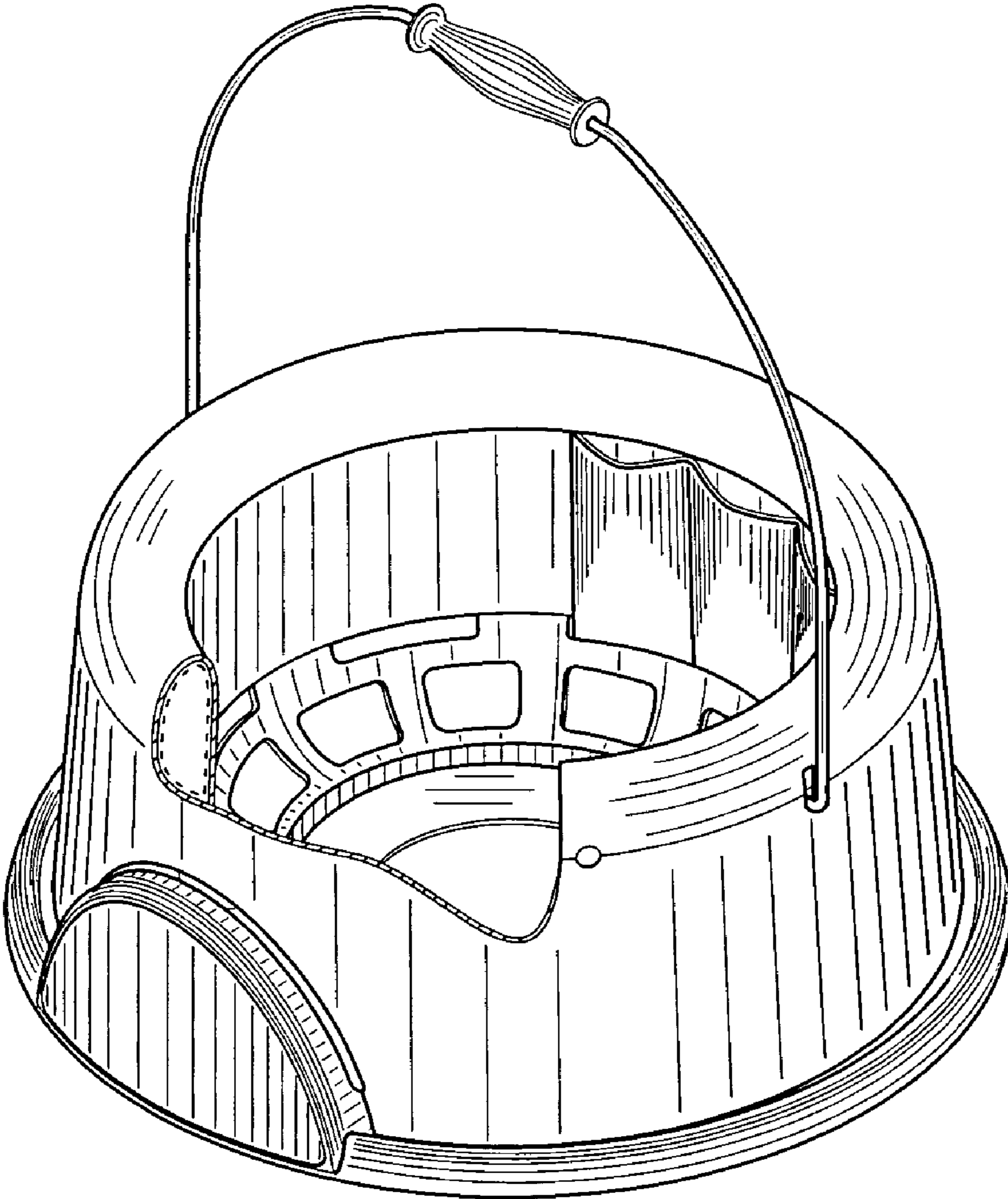


FIG. 7