



US00D641061S

(12) **United States Design Patent**
Finau

(10) **Patent No.:** **US D641,061 S**

(45) **Date of Patent:** **** Jul. 5, 2011**

(54) **GOLF PUTTING TRAINING DEVICE**

(76) Inventor: **Motusaga Finau**, Kaneohe, HI (US)

(**) Term: **14 Years**

5,595,543 A *	1/1997	Wolk	473/162
D380,518 S *	7/1997	Barton et al.	D21/791
5,769,732 A *	6/1998	O'Neal	473/258
D418,891 S *	1/2000	Sirak	D21/791
D470,906 S *	2/2003	Shaw	D21/791
D600,299 S *	9/2009	Hanley	D21/791

* cited by examiner

(21) Appl. No.: **29/367,434**

(22) Filed: **Aug. 7, 2010**

(51) **LOC (9) Cl.** **21-02**

(52) **U.S. Cl.** **D21/791**

(58) **Field of Classification Search** D21/789,
D21/791; 473/153, 265, 161, 163, 267, 150,
473/220, 260, 268, 162, 184, 236, 258, 273
See application file for complete search history.

(56) **References Cited**

U.S. PATENT DOCUMENTS

D245,035 S *	7/1977	Gordon	D21/790
4,129,301 A *	12/1978	Kenney	D21/791
5,209,484 A *	5/1993	Randall	473/265
5,301,947 A *	4/1994	Kim	473/153
5,362,057 A *	11/1994	Arima	473/265
5,527,041 A *	6/1996	Terry et al.	473/150

Primary Examiner — Mitchell Siegel

(57) **CLAIM**

The ornamental design for a golf putting training device, as shown and described.

DESCRIPTION

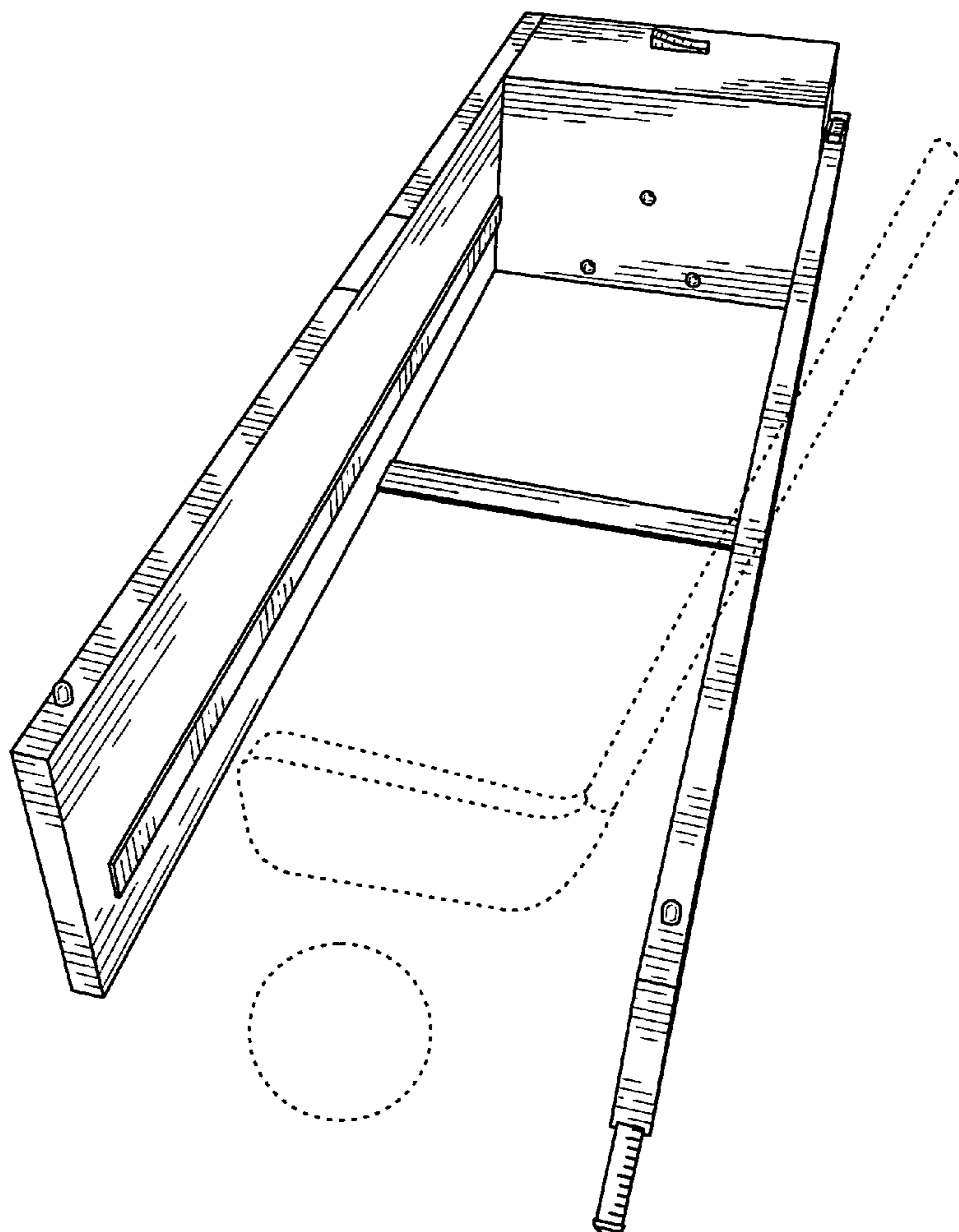
FIG. 1 is a top perspective view thereof, the broken line disclosure representing a golf putter and a golf ball being for illustrative purposes only forming no part of the claimed design; and

FIG. 2 is a rear elevation view thereof; and

FIG. 3 is a top elevation view thereof; and,

FIG. 4 is a bottom elevation view thereof.

1 Claim, 2 Drawing Sheets



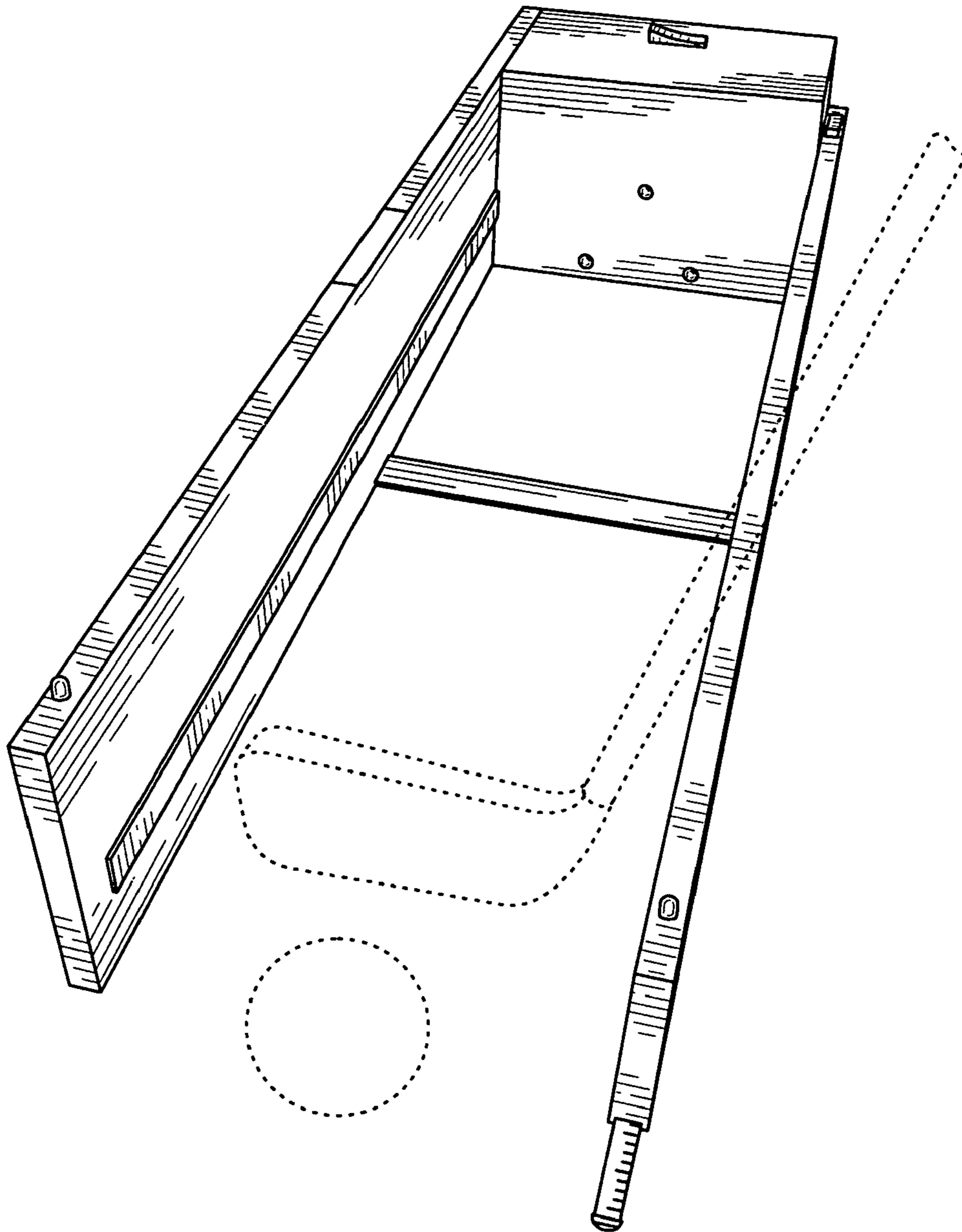


FIG. 1

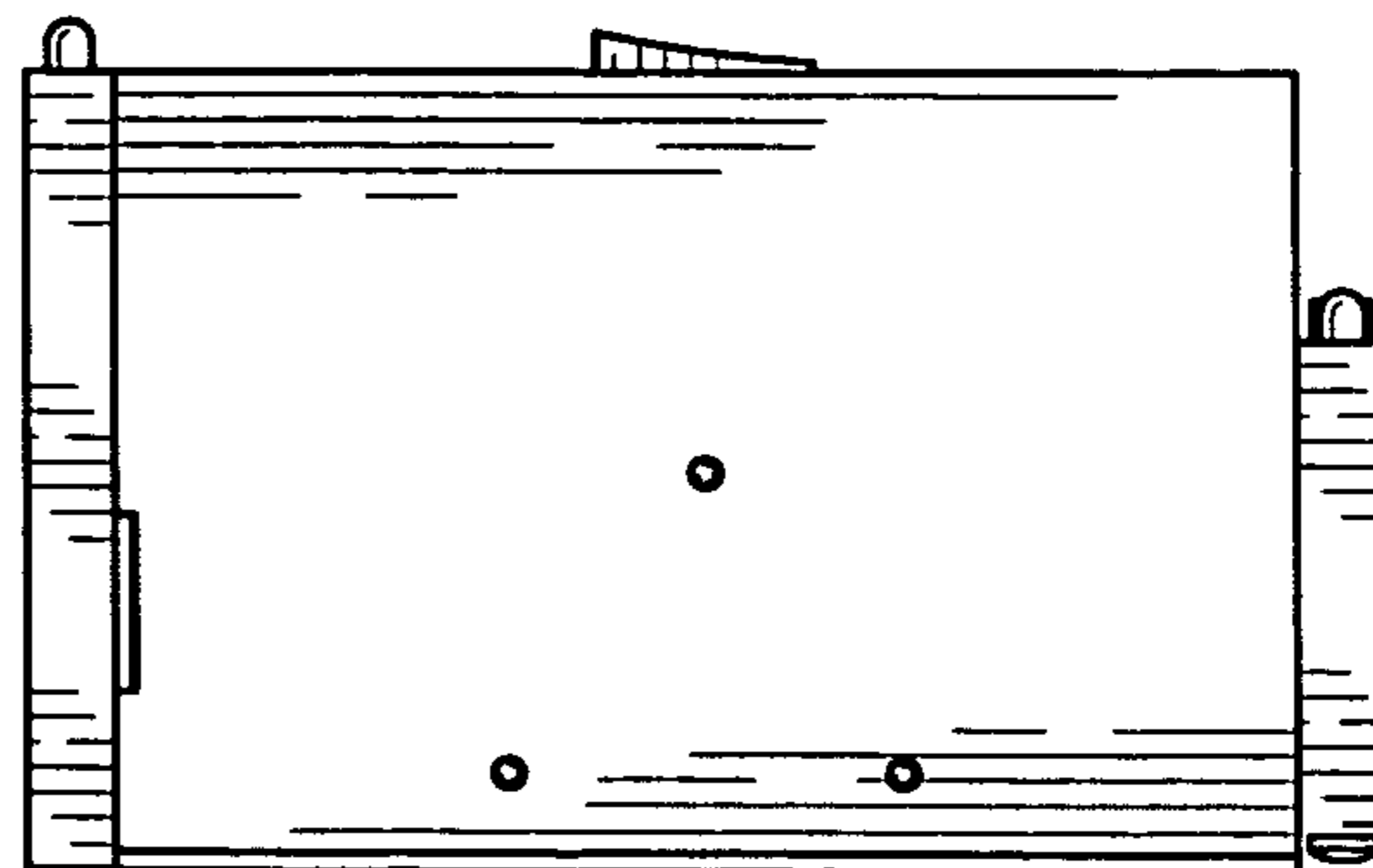


FIG. 2

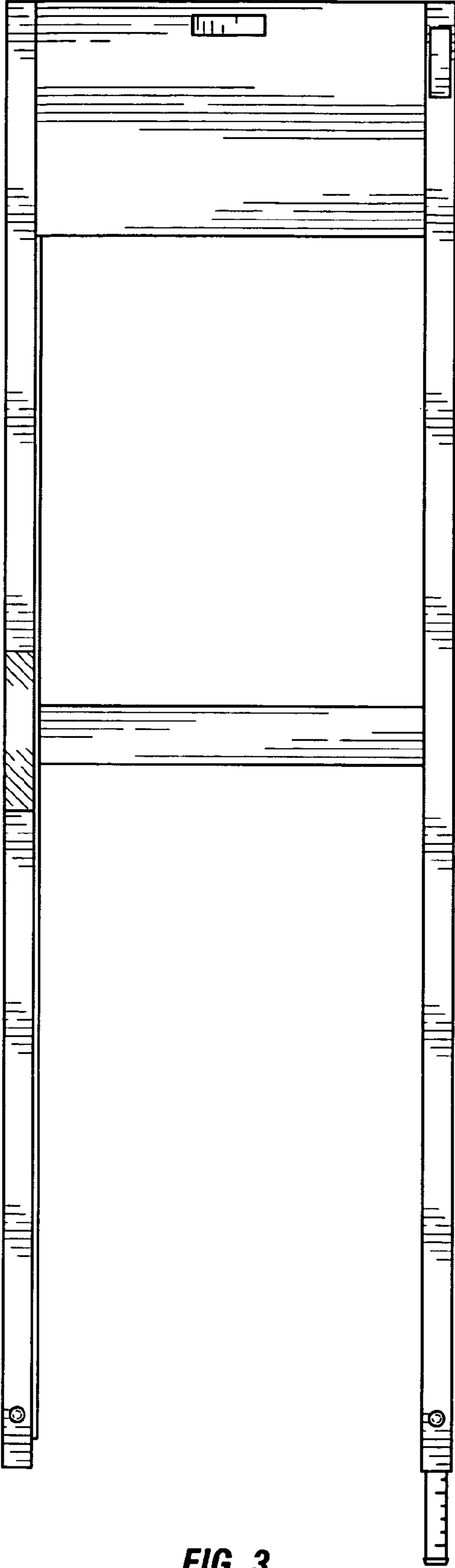


FIG. 3

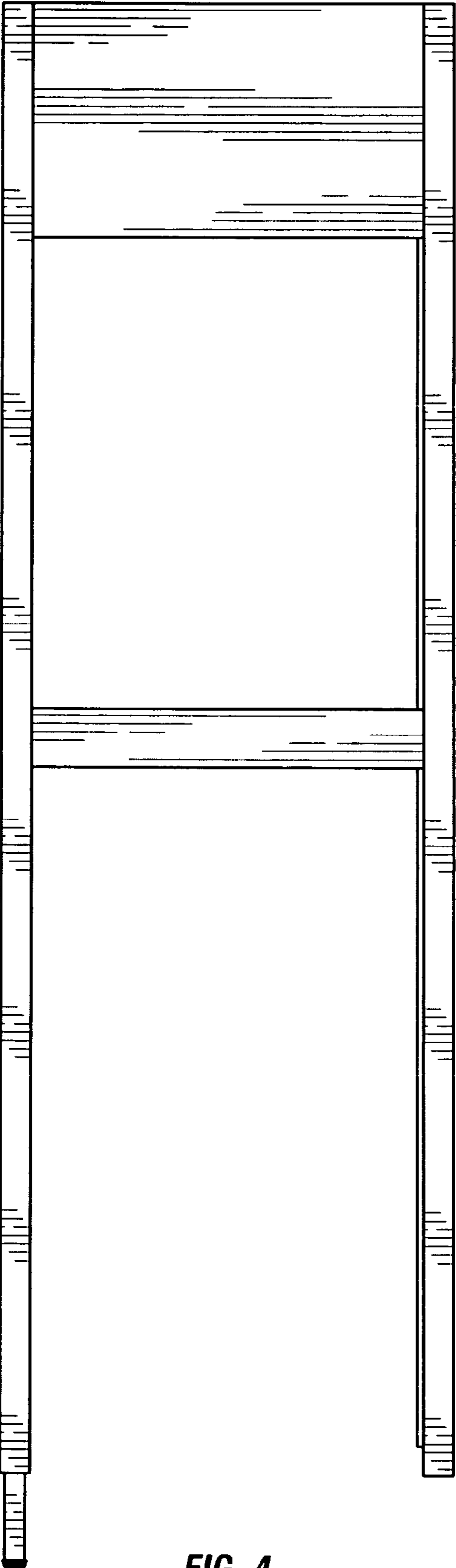


FIG. 4