



US00D641056S

(12) **United States Design Patent**
Shapiro et al.

(10) **Patent No.:** **US D641,056 S**
(45) **Date of Patent:** **** *Jul. 5, 2011**

(54) **CHASSIS FOR A TOY MOTOR**
(75) Inventors: **Ami Shapiro**, Granada Hills, CA (US);
Kristi Bluhm, Los Angeles, CA (US)
(73) Assignee: **MGA Entertainment, Inc.**, Van Nuys,
CA (US)
(**) Term: **14 Years**
(21) Appl. No.: **29/363,057**
(22) Filed: **Jun. 3, 2010**
(51) **LOC (9) Cl.** **21-01**
(52) **U.S. Cl.** **D21/562**
(58) **Field of Classification Search** D21/533,
D21/548, 560, 562, 578, 580, 584, 585, 592,
D21/615, 622, 650, 656; 180/8.1, 8.5, 8.6;
446/71, 93-95, 102, 293, 294, 330, 351,
446/353, 356
See application file for complete search history.

D427,256 S * 6/2000 Teigiser D21/650
6,238,264 B1 * 5/2001 Kazami et al. 446/356
D456,467 S * 4/2002 Corbett D21/650
D458,320 S * 6/2002 Domingues D21/585
6,481,513 B2 * 11/2002 Buehler et al. 180/8.6
6,488,560 B2 * 12/2002 Nishikawa 446/356
6,648,720 B1 * 11/2003 Domingues 446/356
6,652,352 B1 * 11/2003 MacArthur et al. 446/356
6,866,557 B2 * 3/2005 Randall 446/356
D517,131 S * 3/2006 Carruth D21/592
D555,213 S * 11/2007 Bowen et al. D21/578
D576,217 S * 9/2008 Pasko D21/533
2001/0054518 A1 * 12/2001 Buehler et al. 180/8.1

OTHER PUBLICATIONS

Three pages of a Copyright Registration called HEXBUG NANO,
published and authored by Innovation First, Inc. in the United States,
Published on Jul. 17, 2009.

* cited by examiner

Primary Examiner — Cynthia M Chin
(74) *Attorney, Agent, or Firm* — Greenberg Traurig, LLP

(56) **References Cited**

U.S. PATENT DOCUMENTS

D241,761 S * 10/1976 Daenen D21/562
D266,777 S * 11/1982 Lucas et al. D21/533
4,614,504 A * 9/1986 Yamasaki 446/356
4,629,440 A * 12/1986 McKittrick et al. 446/356
D289,070 S * 3/1987 Forbes et al. D21/650
4,662,465 A * 5/1987 Stewart 180/8.1
4,666,419 A * 5/1987 Droller et al. 446/330
D291,711 S * 9/1987 Dixon D21/650
4,867,730 A * 9/1989 Lee 446/353
5,423,708 A * 6/1995 Allen 446/356
5,685,383 A * 11/1997 Ferrante 180/8.6
D400,618 S * 11/1998 Wain D21/656
5,993,286 A 11/1999 Tacquard et al.
6,068,073 A * 5/2000 Roston et al. 180/8.5

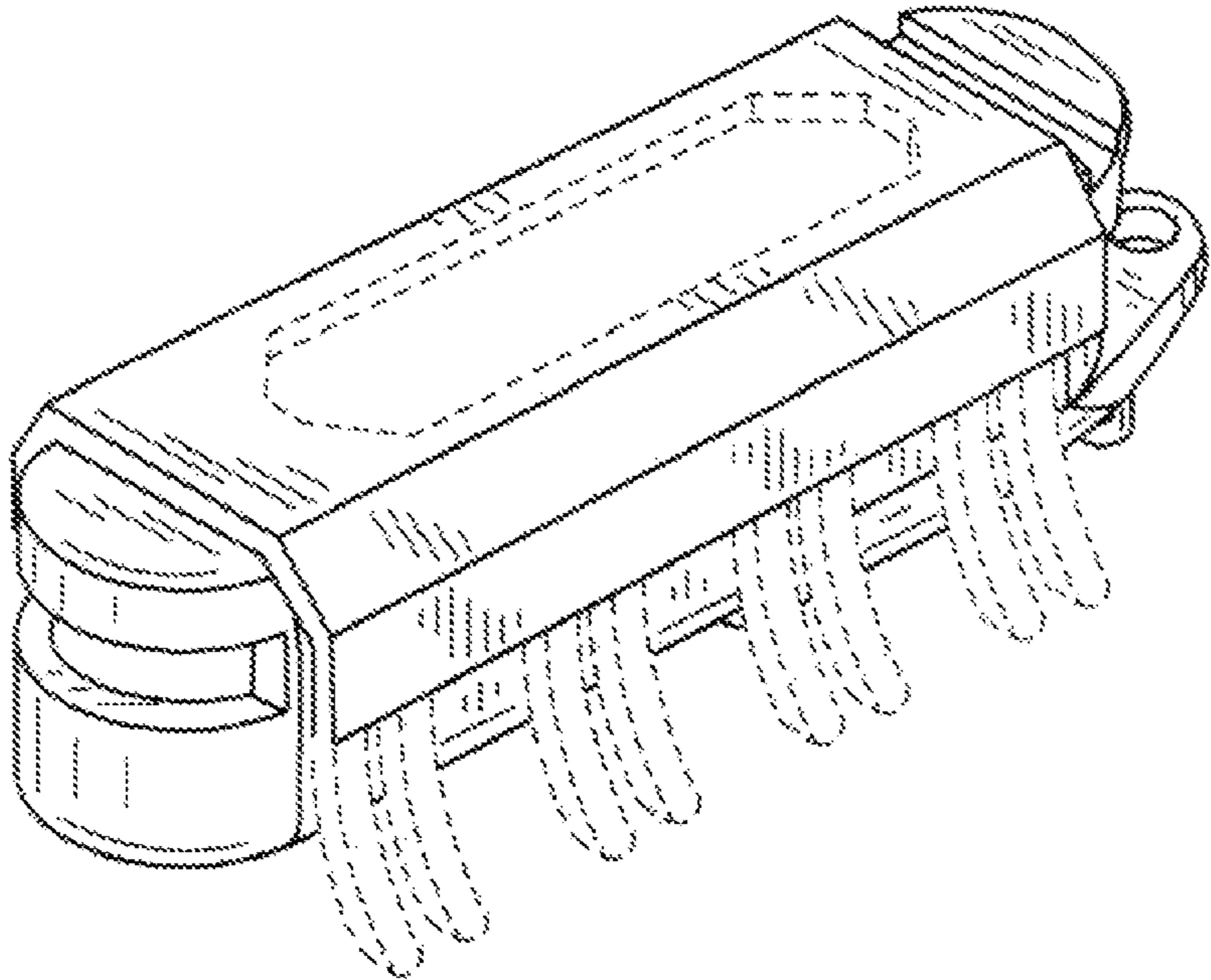
(57) **CLAIM**

What is claimed is the ornamental design for a chassis for a
toy motor, as shown and described.

DESCRIPTION

FIG. 1 is a perspective view of a chassis for a toy motor;
FIG. 2 is a top view of the chassis;
FIG. 3 is a side view of the chassis;
FIG. 4 is a front view of the chassis;
FIG. 5 is a rear view of the chassis; and,
FIG. 6 is a bottom view of the chassis.
The dotted lines are provided for illustrative purposes only
and form no part of the design claimed.

1 Claim, 3 Drawing Sheets



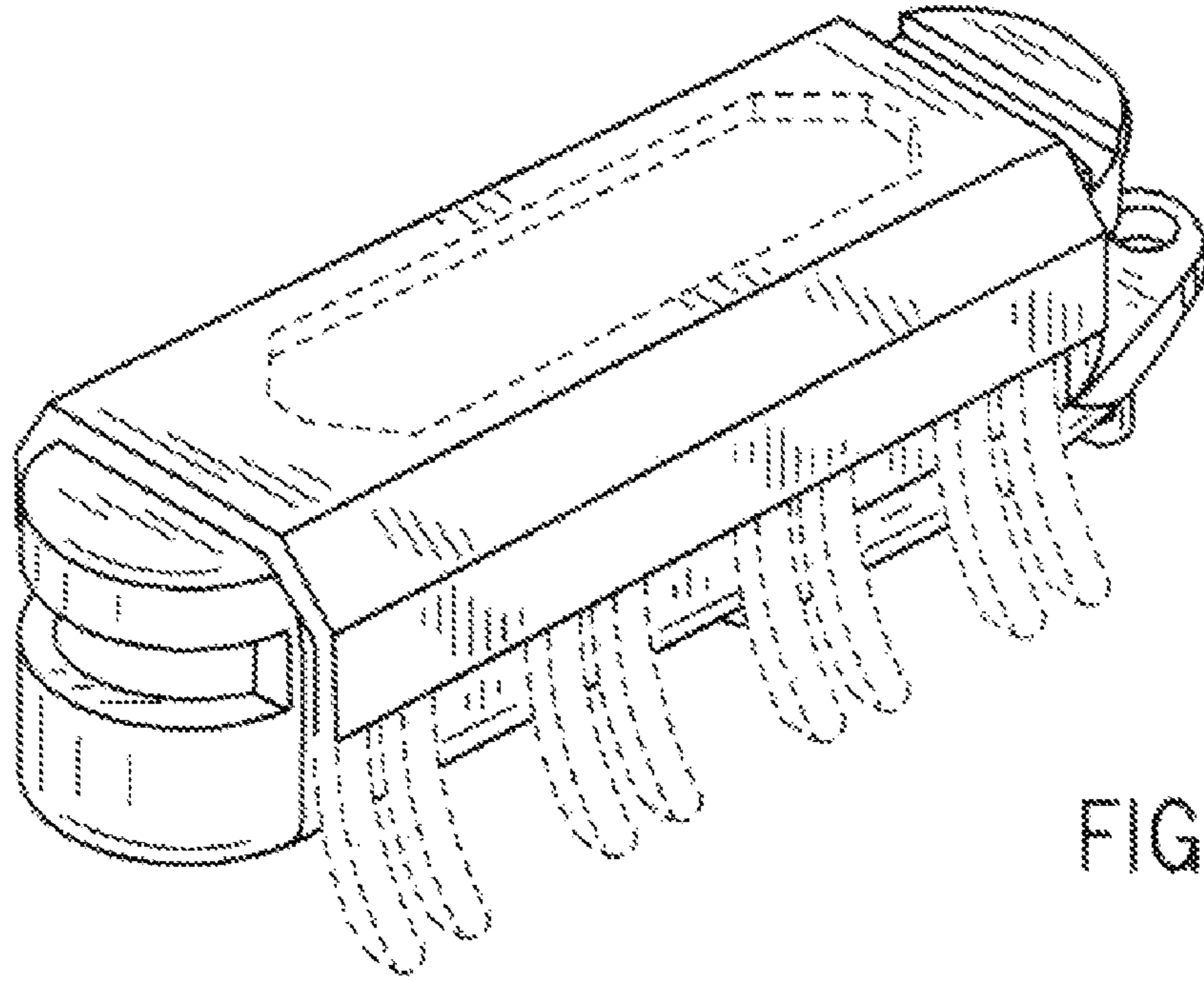


FIG. 1

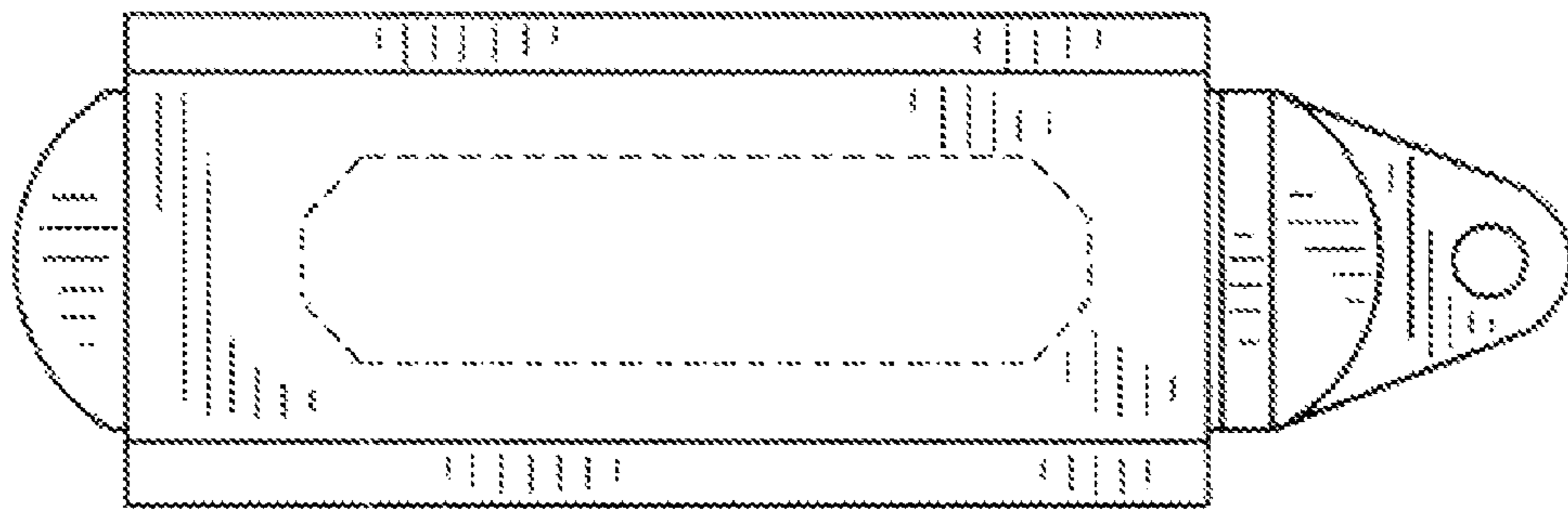


FIG. 2

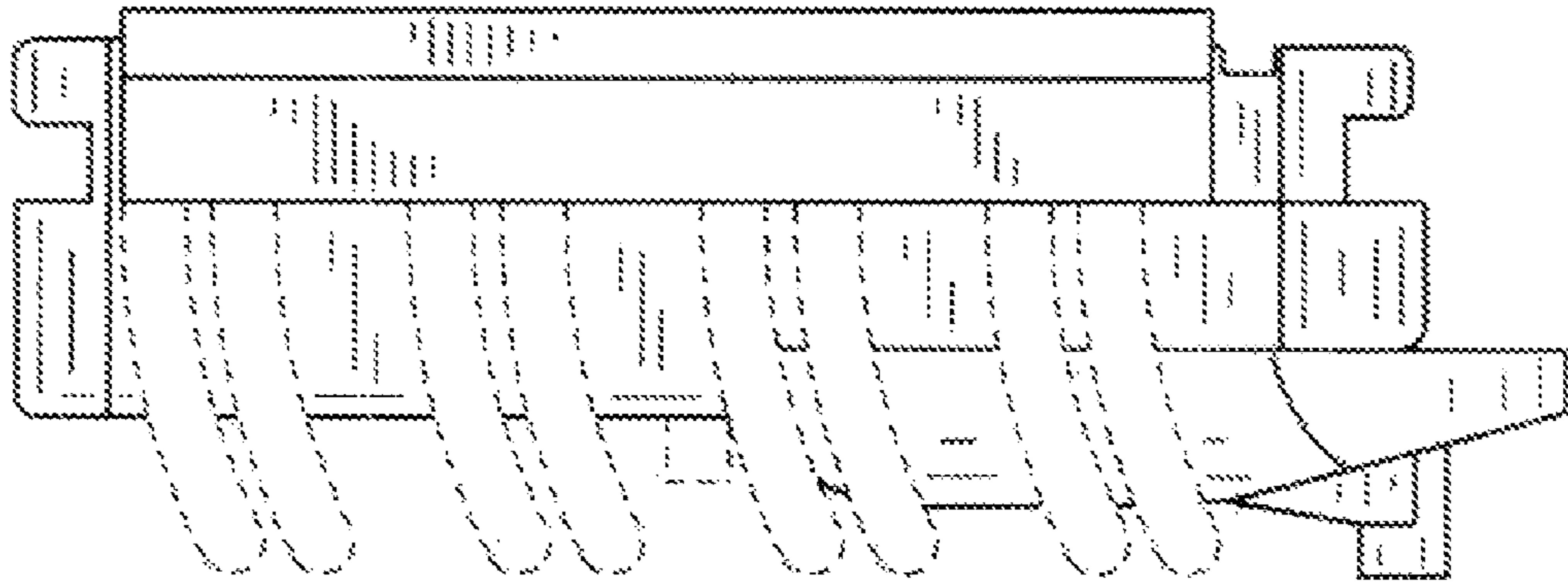


FIG. 3

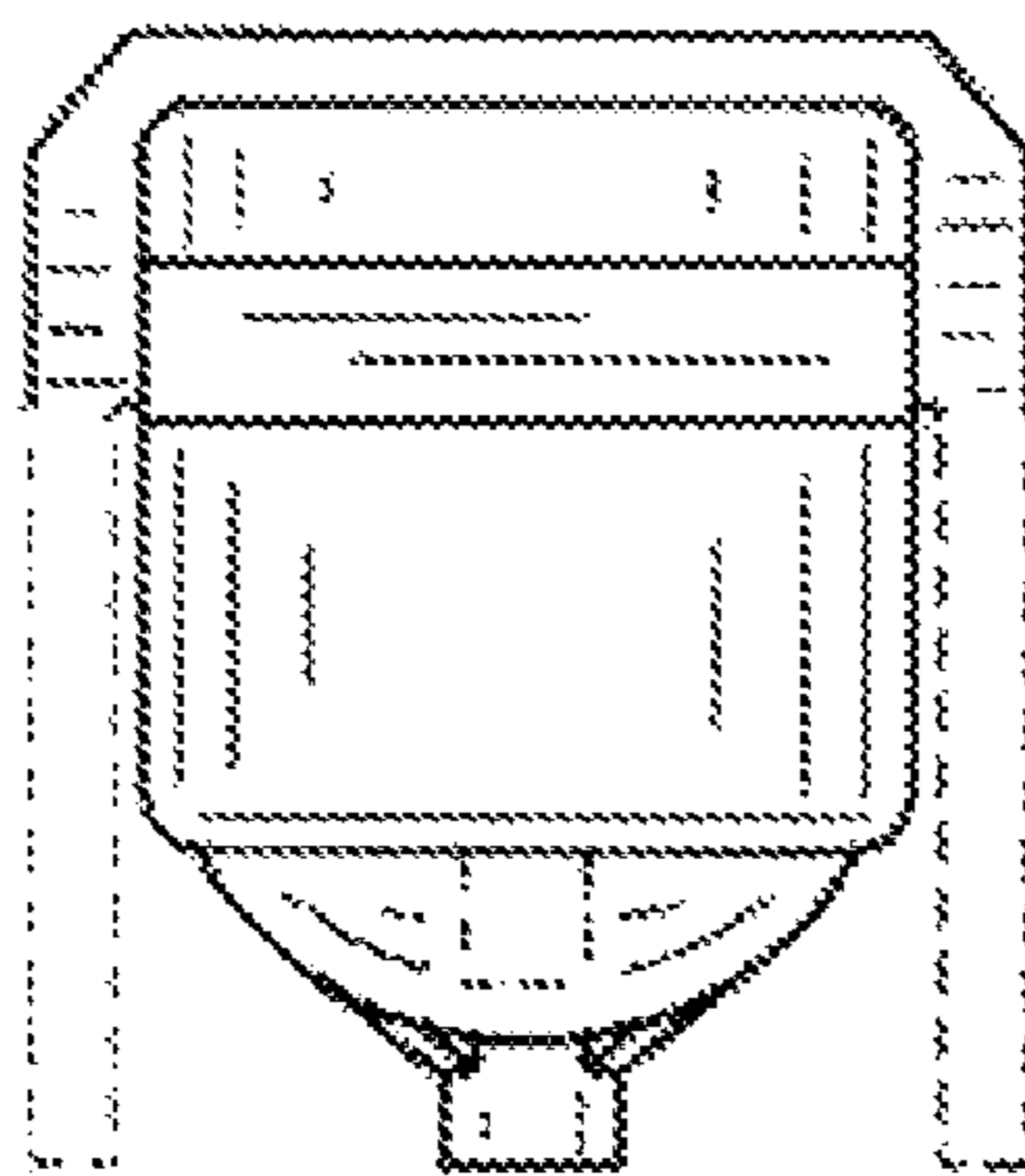


FIG. 4

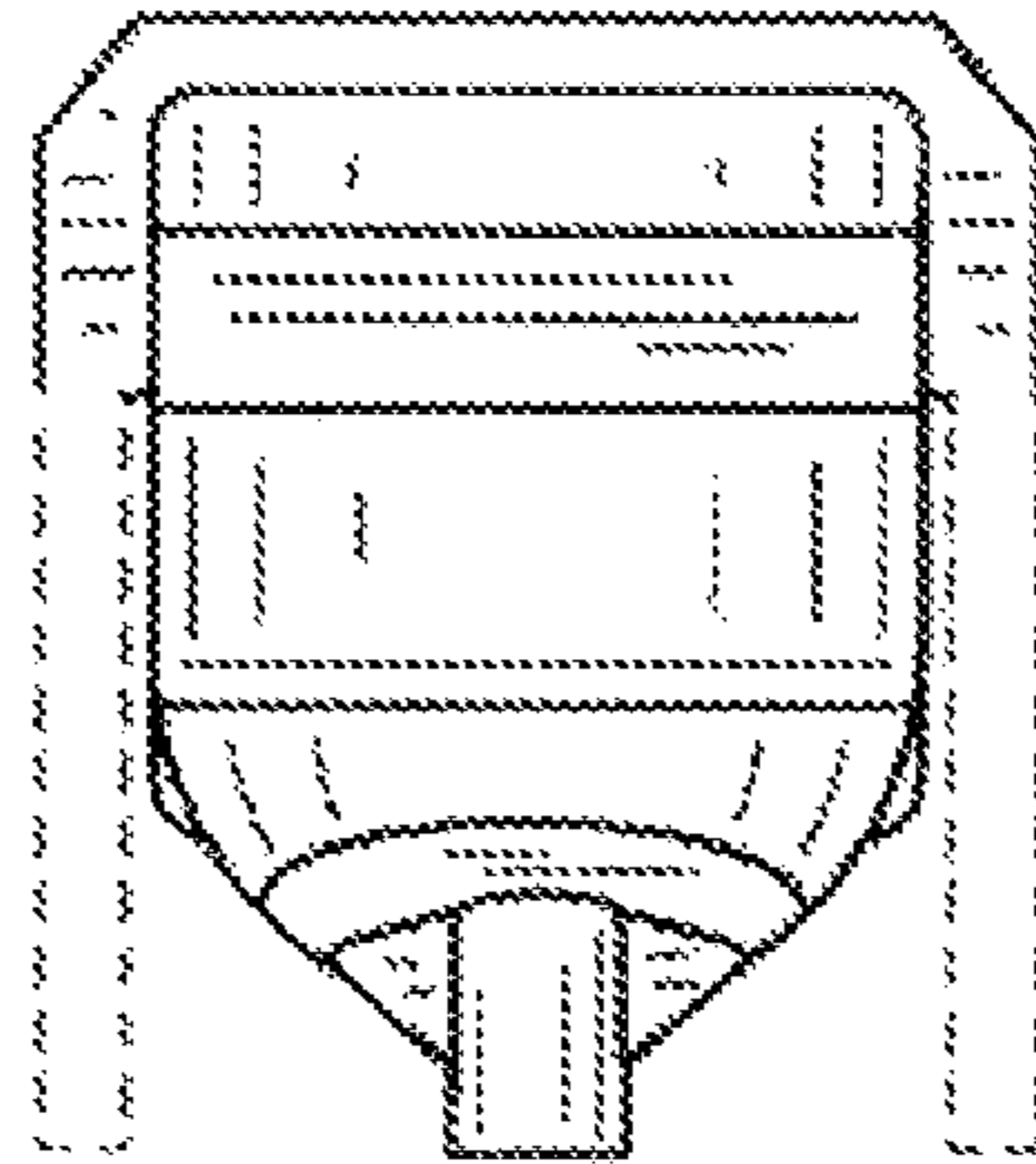


FIG. 5

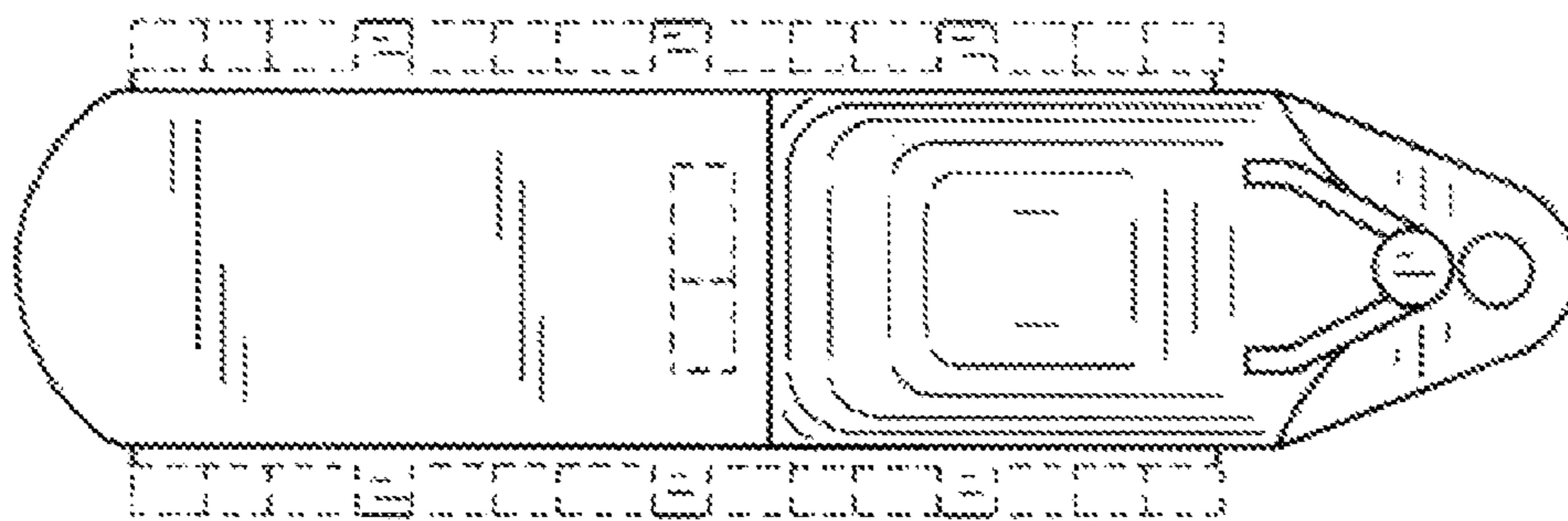


FIG. 6