



US00D641053S

(12) **United States Design Patent**
Sidenius

(10) **Patent No.:** **US D641,053 S**

(45) **Date of Patent:** **** Jul. 5, 2011**

(54) **ELEMENT OF A CONSTRUCTION SET**

(75) **Inventor:** **Hans Henrik Sidenius**, Egtved (DK)

(73) **Assignee:** **Lego A/S**, Billund (DK)

(**) **Term:** **14 Years**

(21) **Appl. No.:** **29/366,744**

(22) **Filed:** **Jul. 29, 2010**

(30) **Foreign Application Priority Data**

Feb. 2, 2010 (EM) 001664368

(51) **LOC (9) Cl.** **21-01**

(52) **U.S. Cl.** **D21/494; D21/497**

(58) **Field of Classification Search** D21/484,
D21/485, 486, 489, 490, 491, 492, 493, 494,
D21/495, 497, 499, 500-504; 446/69, 85,
446/102-128; 434/208, 259, 403; 273/153,
273/156, 160; 428/174

See application file for complete search history.

(56) **References Cited**

U.S. PATENT DOCUMENTS

D290,476 S * 6/1987 Ryaa et al. D21/497
D311,940 S * 11/1990 Anderson D21/497
D314,991 S * 2/1991 Ryaa D21/485

D332,643 S * 1/1993 Knudsen D21/484
D335,156 S * 4/1993 Knudsen et al. D21/504
D335,157 S * 4/1993 Rahbek D21/497
D345,591 S * 3/1994 Krentz D21/497
D371,581 S * 7/1996 Jarnros D21/494
D411,594 S * 6/1999 Harms D21/564
D601,642 S * 10/2009 Talavera D21/504

* cited by examiner

Primary Examiner — Cynthia M Chin

(74) *Attorney, Agent, or Firm* — Day Pitney LLP

(57) **CLAIM**

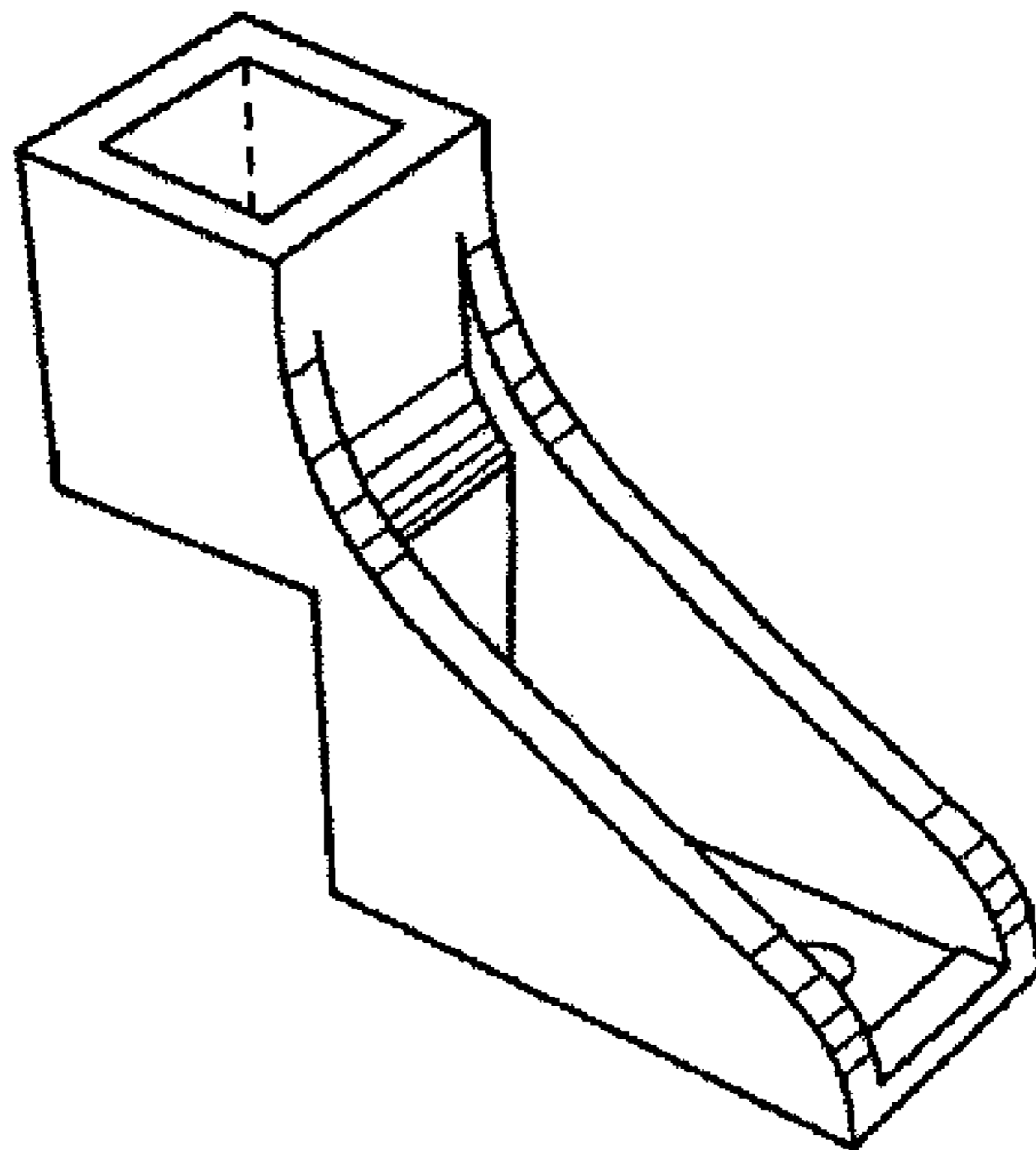
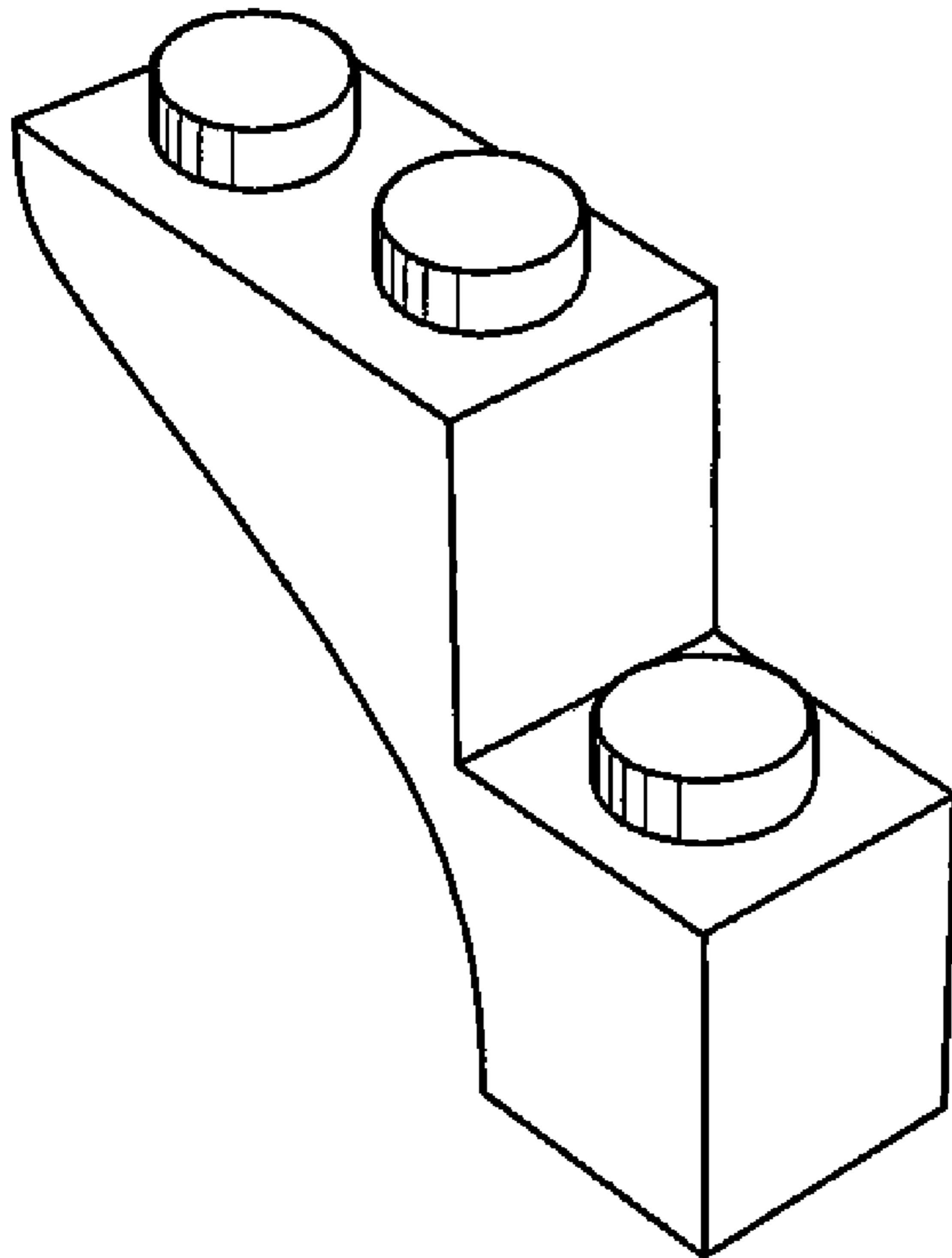
The ornamental design for an element of a construction set, as shown and described.

DESCRIPTION

FIG. 1 is a top perspective view of my ornamental design for an element of a construction set;
FIG. 2 is a bottom perspective view thereof;
FIG. 3 is a top plan view thereof;
FIG. 4 is a bottom plan view thereof;
FIG. 5 is a right side view thereof;
FIG. 6 is a left side view thereof;
FIG. 7 is a front view thereof; and,
FIG. 8 is a rear view thereof.

The broken lines represent portions of the article that form no part of the claim.

1 Claim, 8 Drawing Sheets



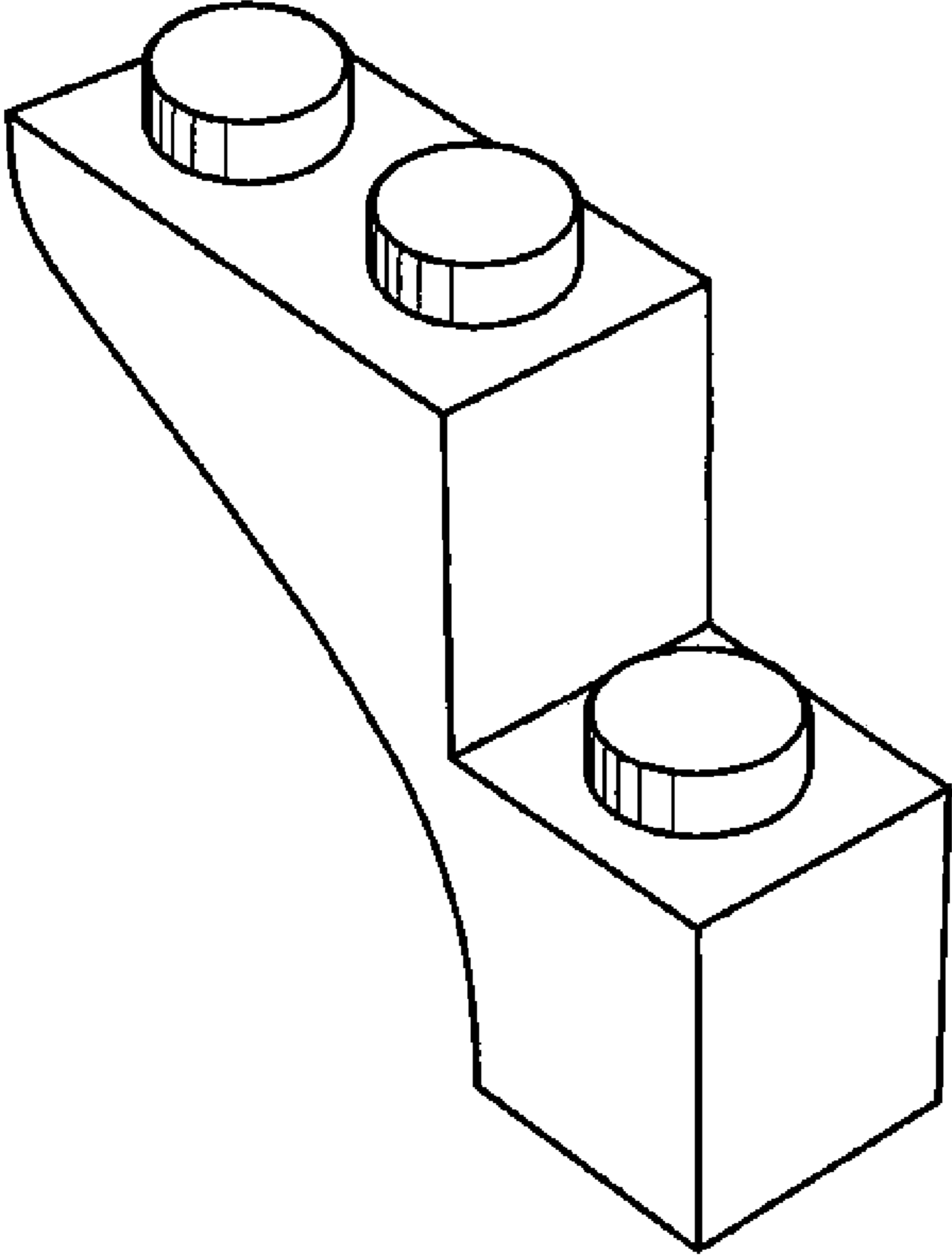


Fig. 1

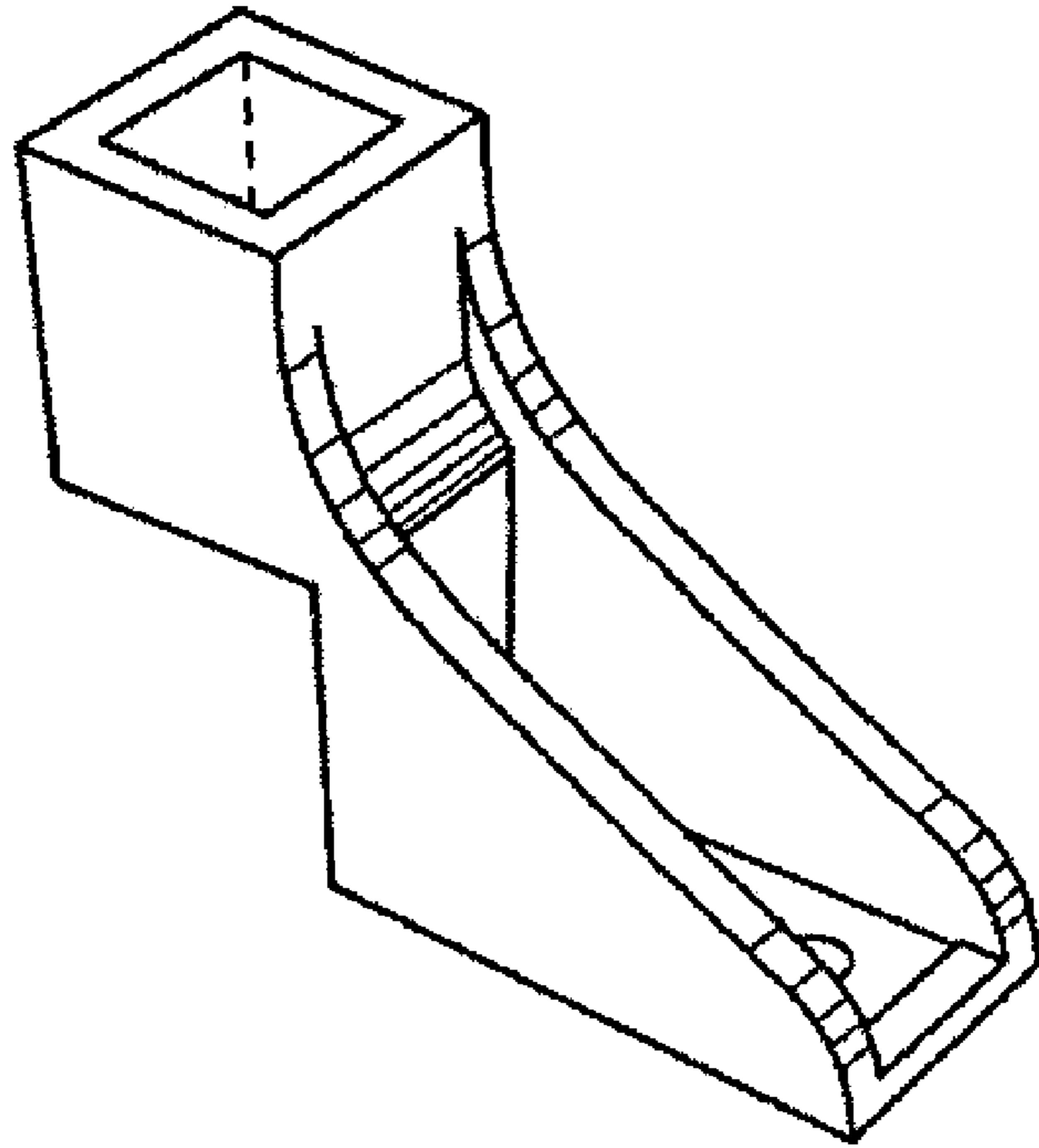


Fig. 2

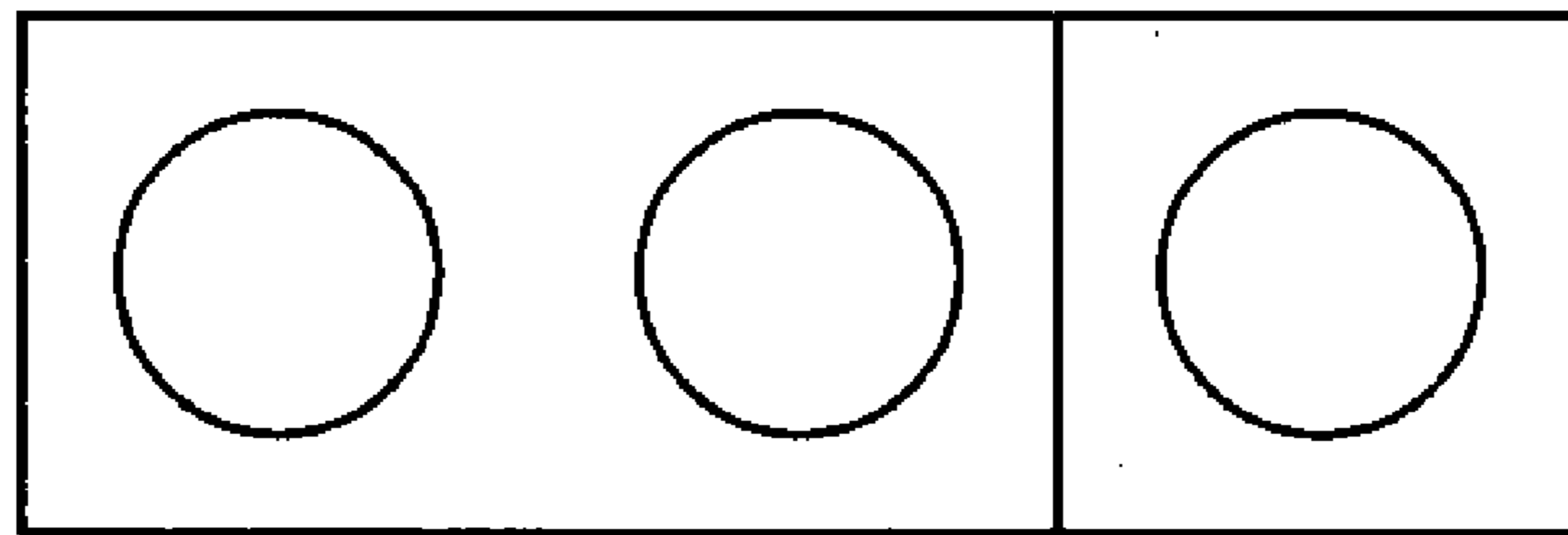


Fig. 3

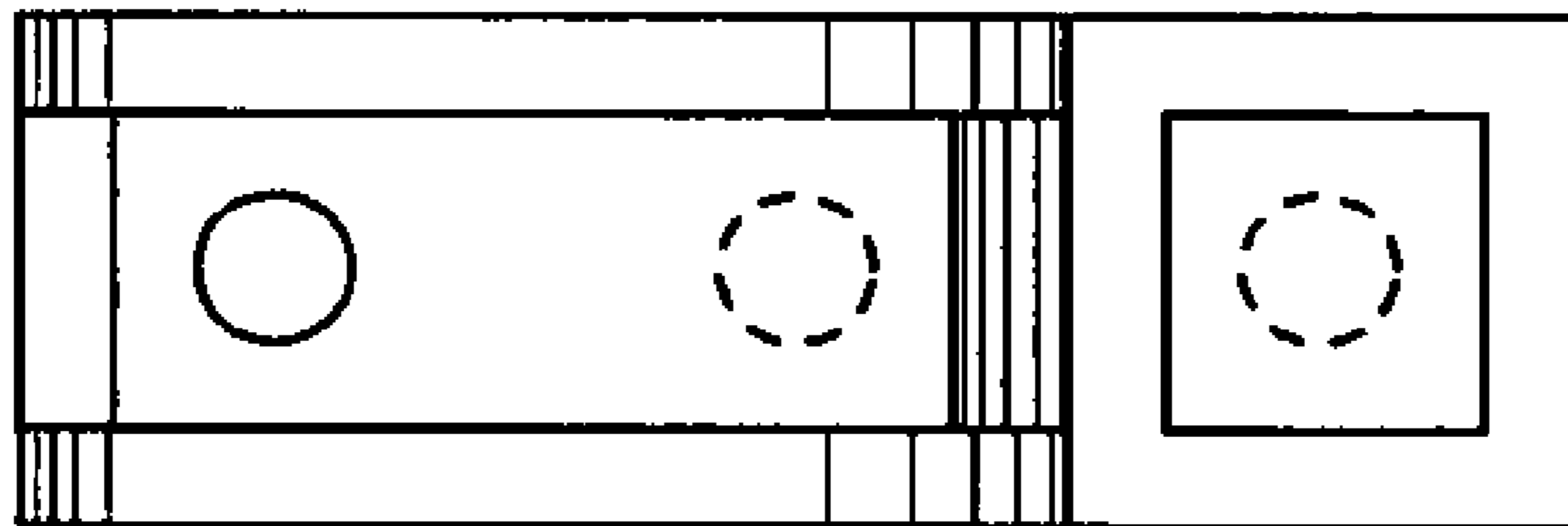


Fig. 4

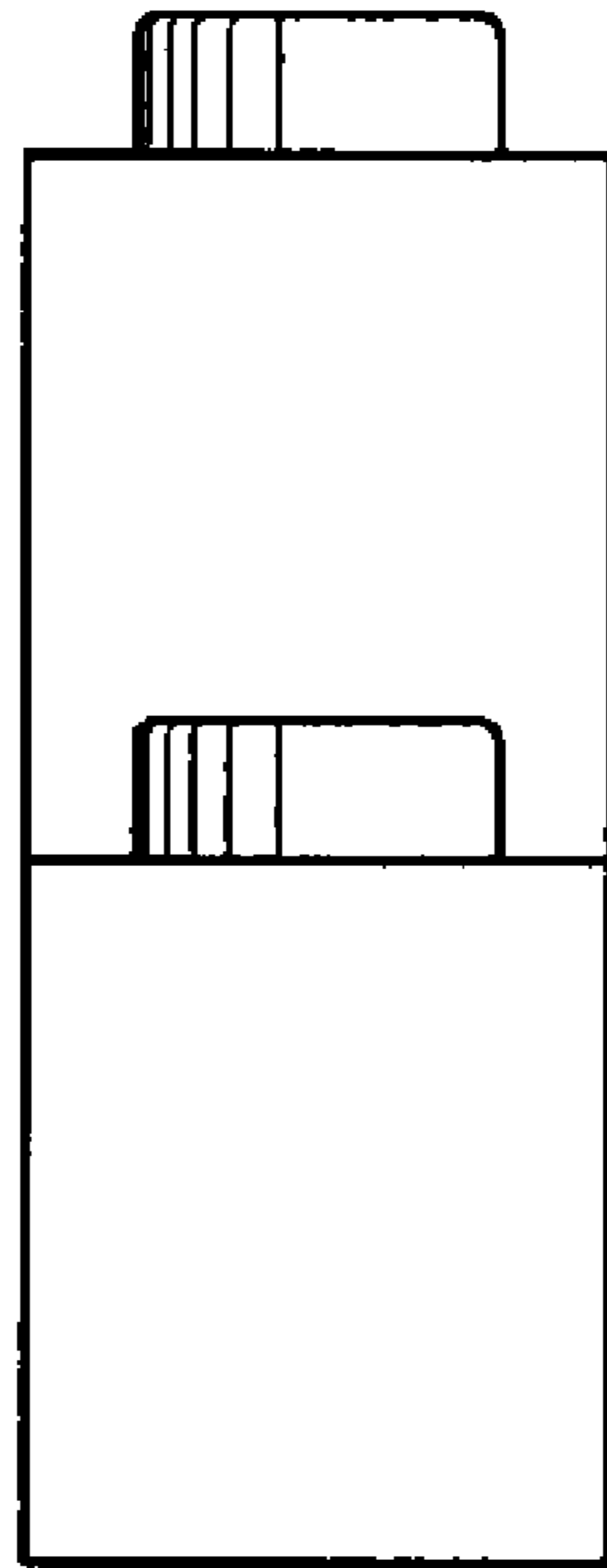


Fig. 5

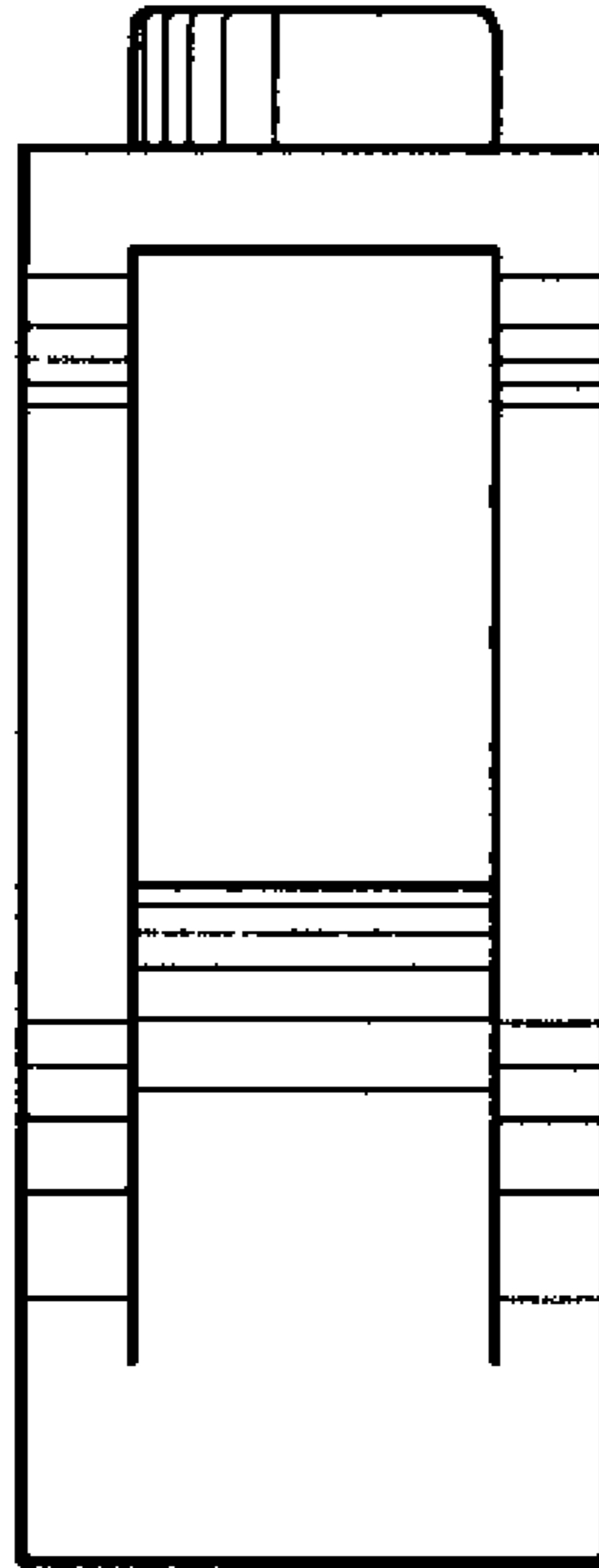


Fig. 6

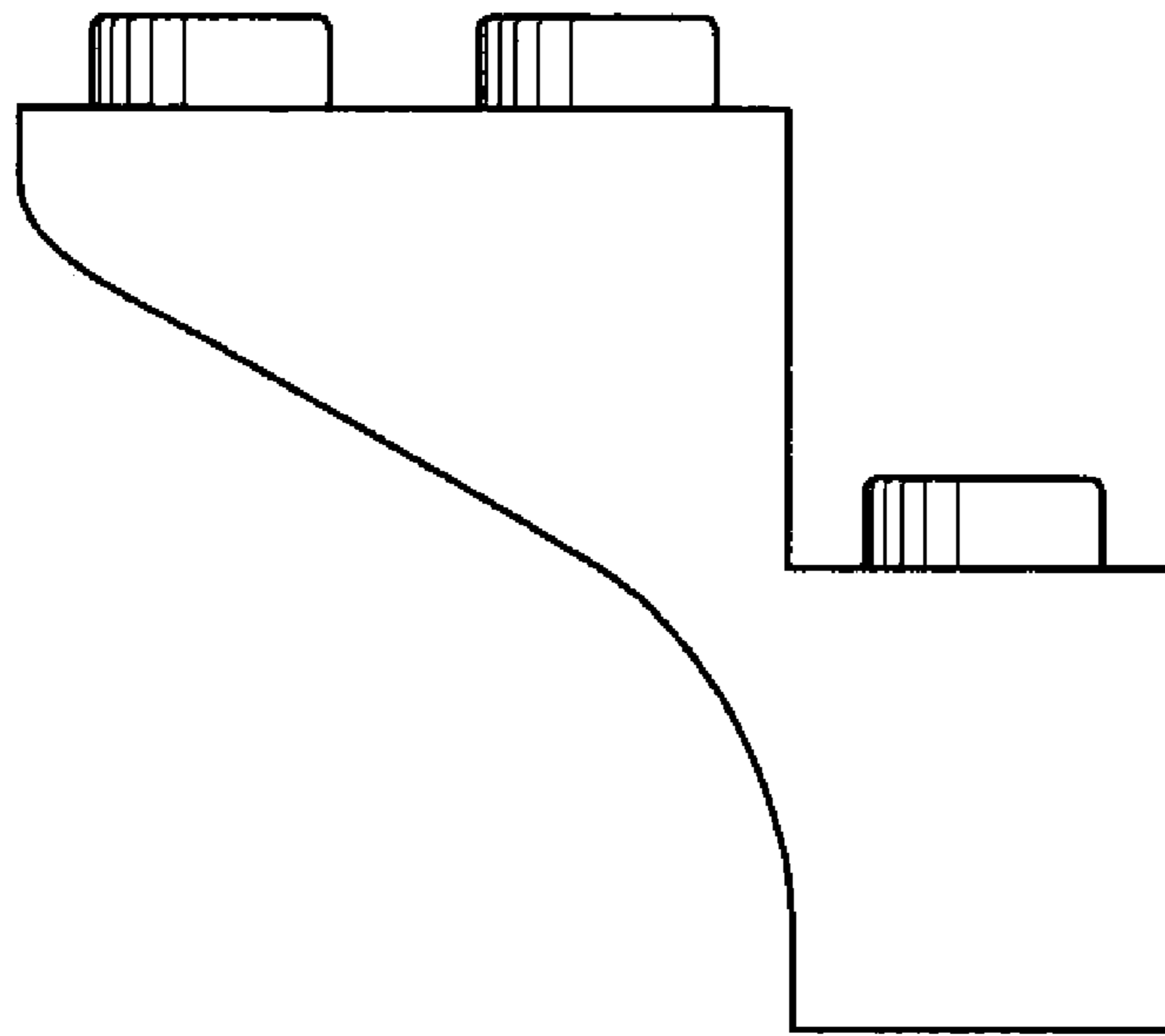


Fig. 7

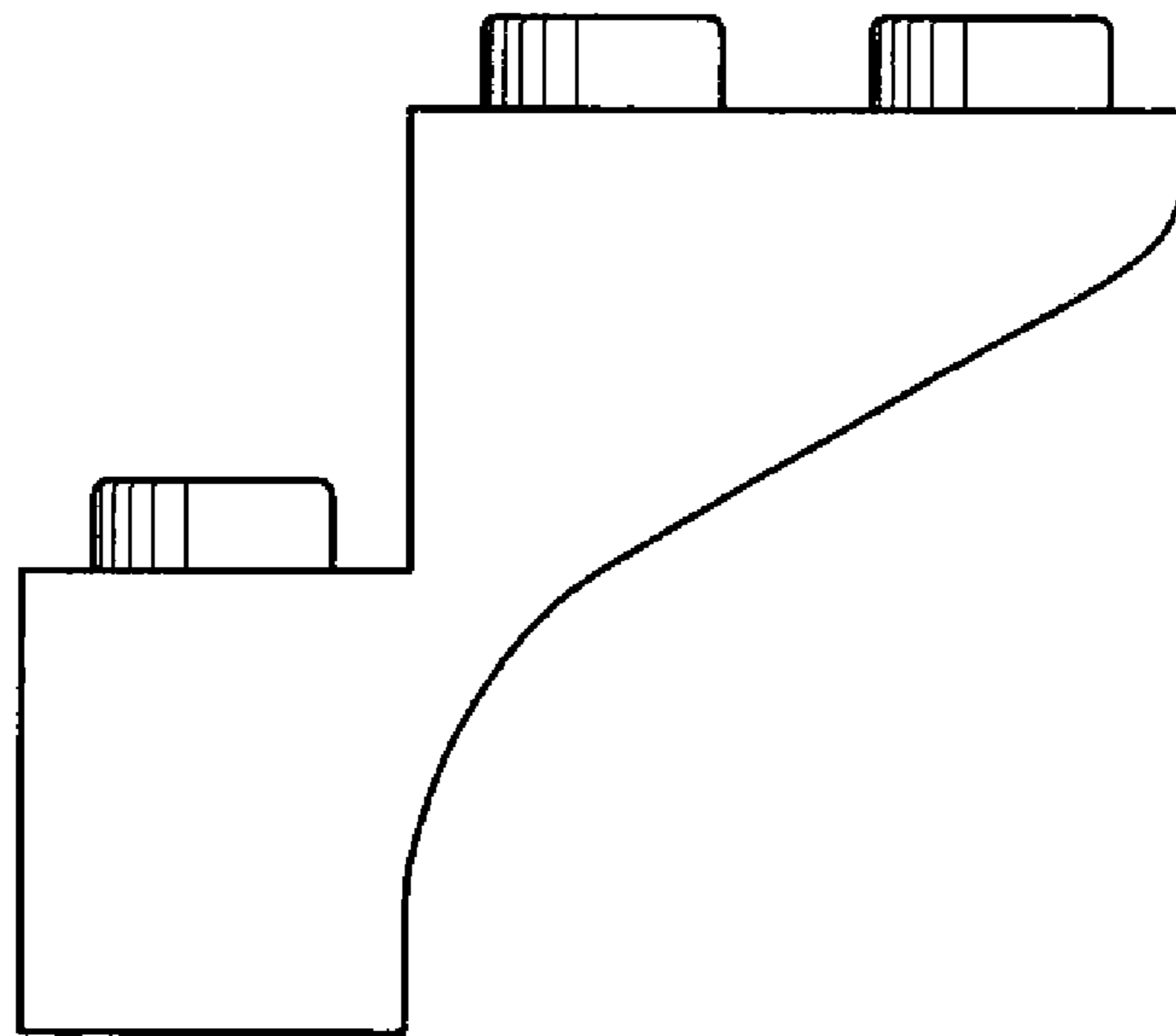


Fig. 8