



US00D641052S

(12) **United States Design Patent**  
**Christensen**

(10) **Patent No.:** **US D641,052 S**  
(45) **Date of Patent:** **\*\* Jul. 5, 2011**

(54) **TOY CONSTRUCTION SET ELEMENT**

(75) **Inventor:** **Anders Gaasedal Christensen, Vejle**  
(DK)

(73) **Assignee:** **Lego A/S, Billund (DK)**

(\*\*) **Term:** **14 Years**

(21) **Appl. No.:** **29/366,706**

(22) **Filed:** **Jul. 29, 2010**

(30) **Foreign Application Priority Data**

Feb. 2, 2010 (EM) ..... 001664368

(51) **LOC (9) Cl.** ..... **21-01**

(52) **U.S. Cl.** ..... **D21/484; D21/497**

(58) **Field of Classification Search** ..... D21/484,  
D21/485, 486, 489, 490, 491, 492, 493, 494,  
D21/495, 497, 499, 500-504; 446/69, 85,  
446/102-128; 434/208, 259, 403; 273/153,  
273/156, 160; 428/174

See application file for complete search history.

(56) **References Cited**

U.S. PATENT DOCUMENTS

D322,296 S *	12/1991	Klitsner .....	D21/484
5,816,882 A *	10/1998	Guegan et al. ....	446/123
D406,611 S *	3/1999	Holm .....	D21/503
D410,973 S *	6/1999	Jensen .....	D21/486
D412,947 S *	8/1999	Raundahl .....	D21/503
D617,397 S *	6/2010	Thorogood .....	D21/502

\* cited by examiner

*Primary Examiner* — Cynthia M Chin

(74) *Attorney, Agent, or Firm* — Day Pitney LLP

(57) **CLAIM**

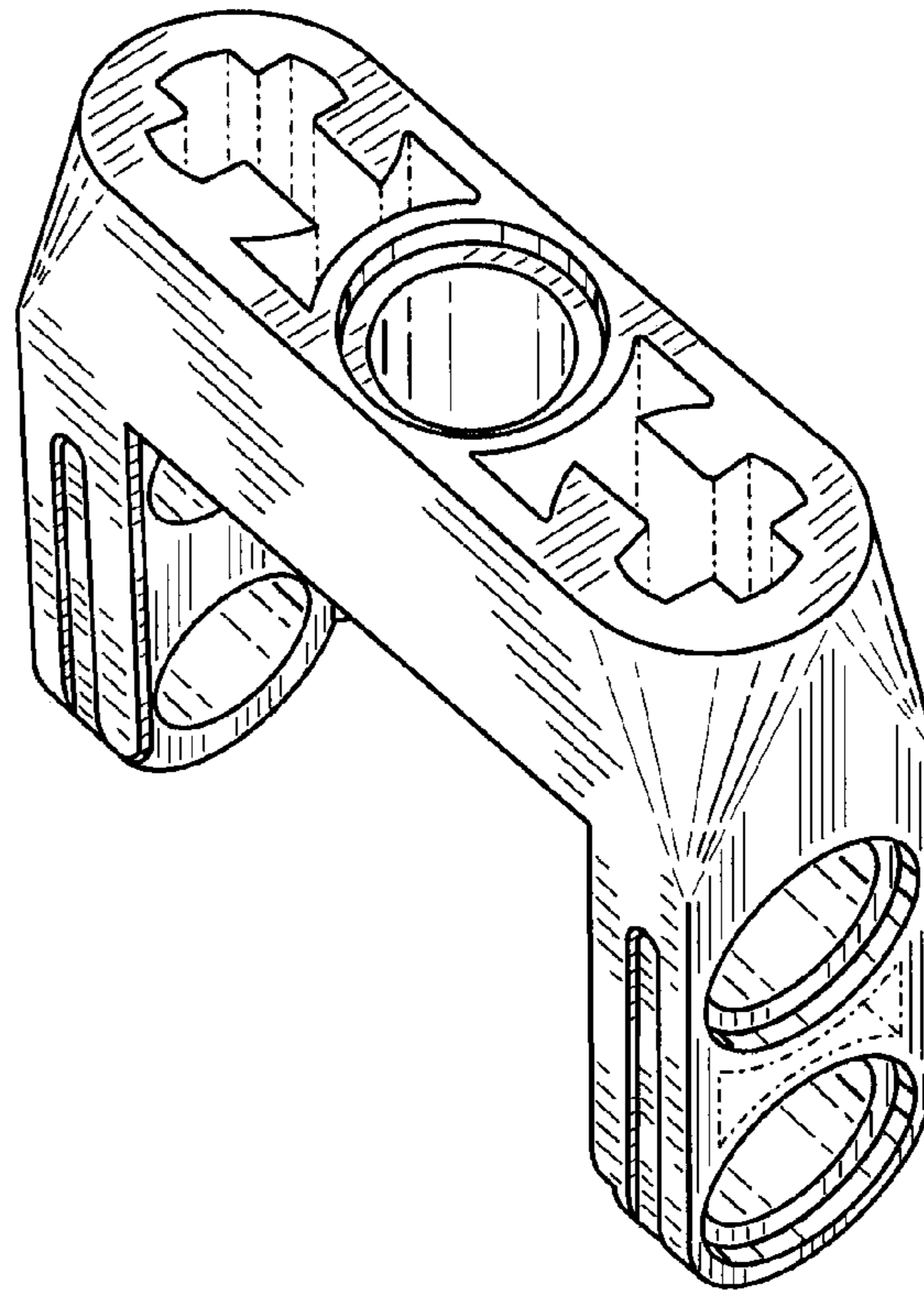
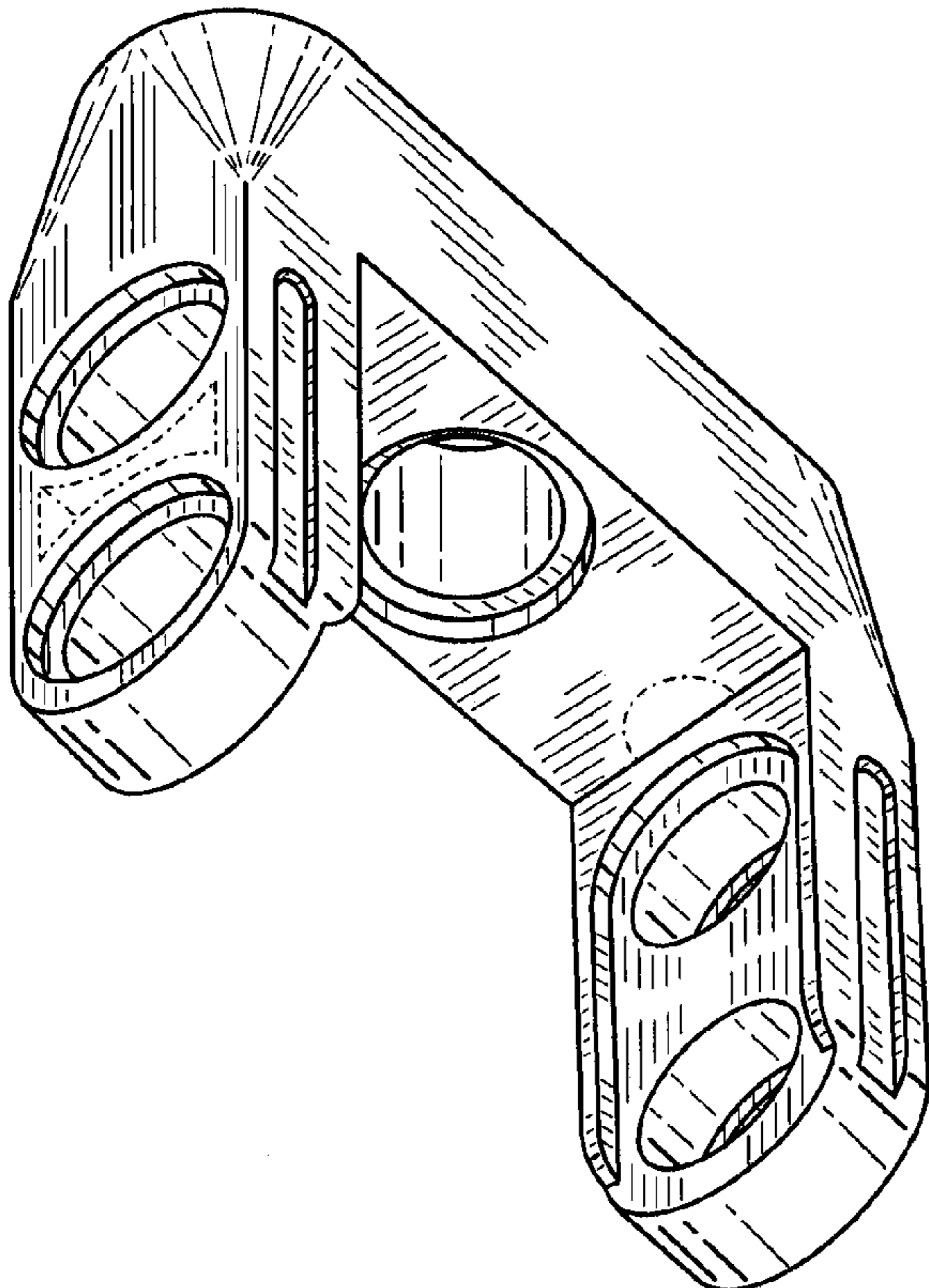
The ornamental design for a toy construction set element, as shown and described.

**DESCRIPTION**

FIG. 1 is a bottom perspective view of my ornamental design for a toy construction set element; FIG. 2 is a top perspective view thereof; FIG. 3 is a top plan view thereof; FIG. 4 is a bottom plan view thereof; FIG. 5 is a right side view thereof; FIG. 6 is a left side view thereof; FIG. 7 is a front view thereof; and, FIG. 8 is a rear view thereof.

The broken lines represent portions of the article that form no part of the claim.

**1 Claim, 8 Drawing Sheets**



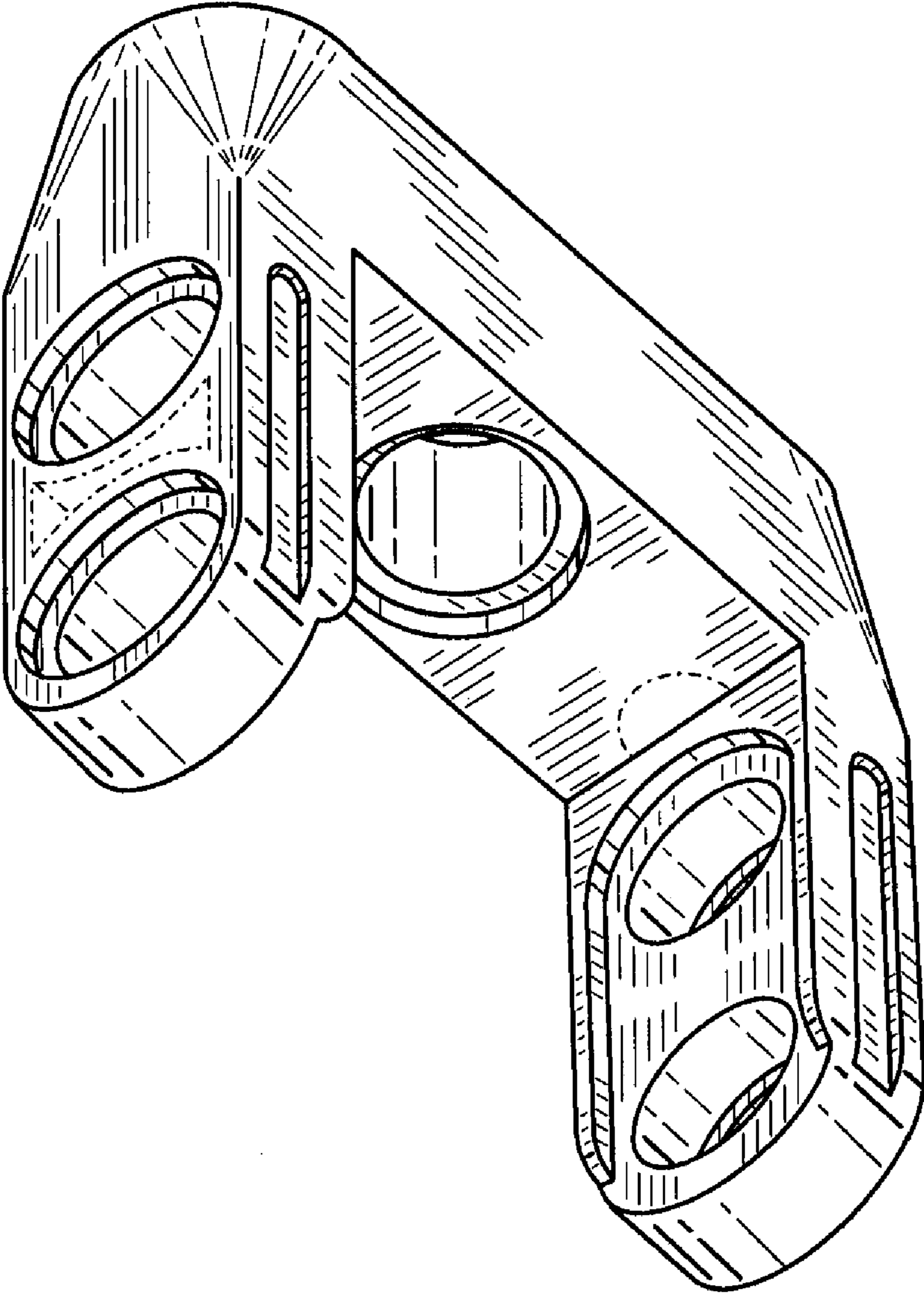


FIG. 1

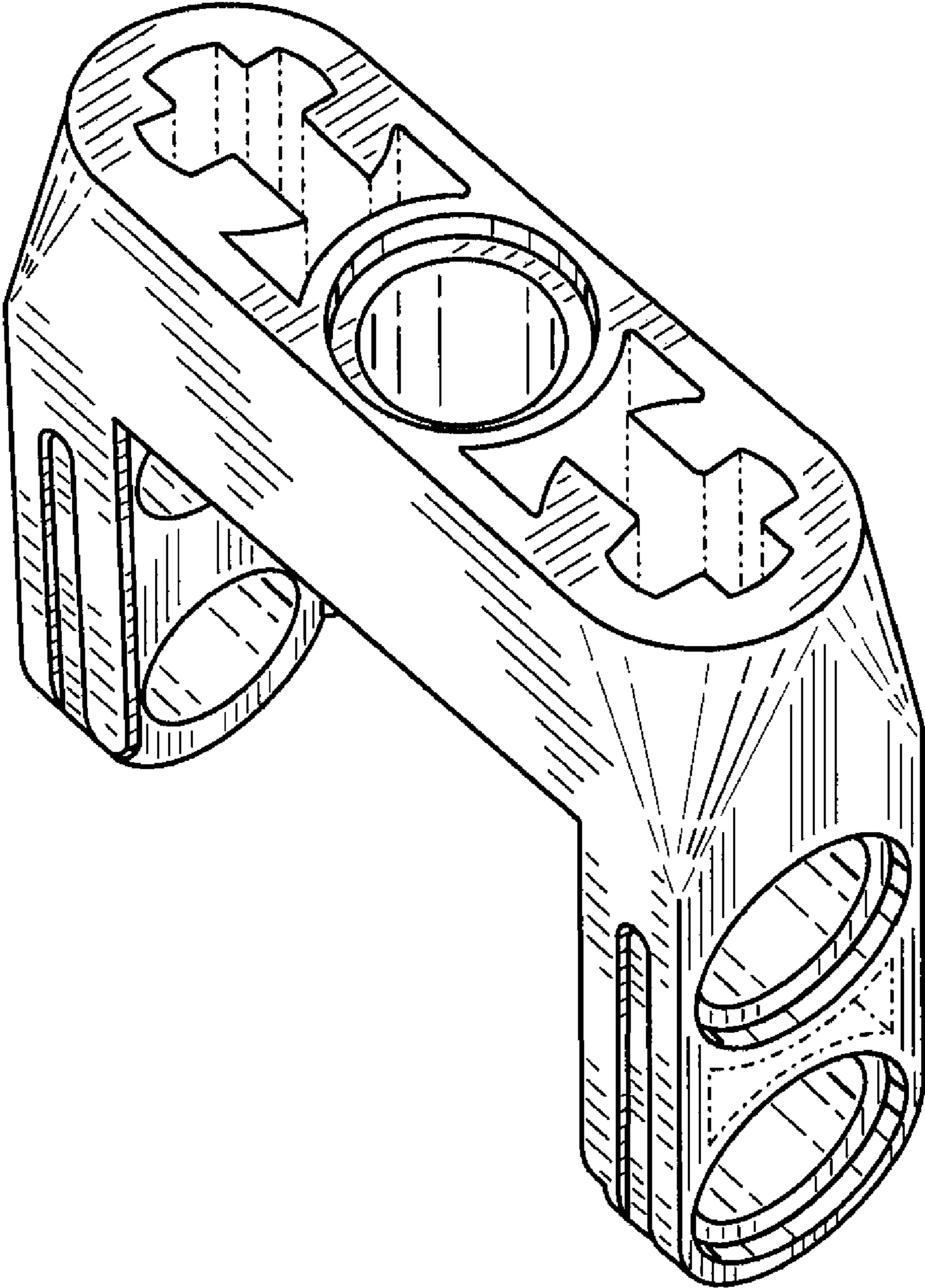


FIG. 2

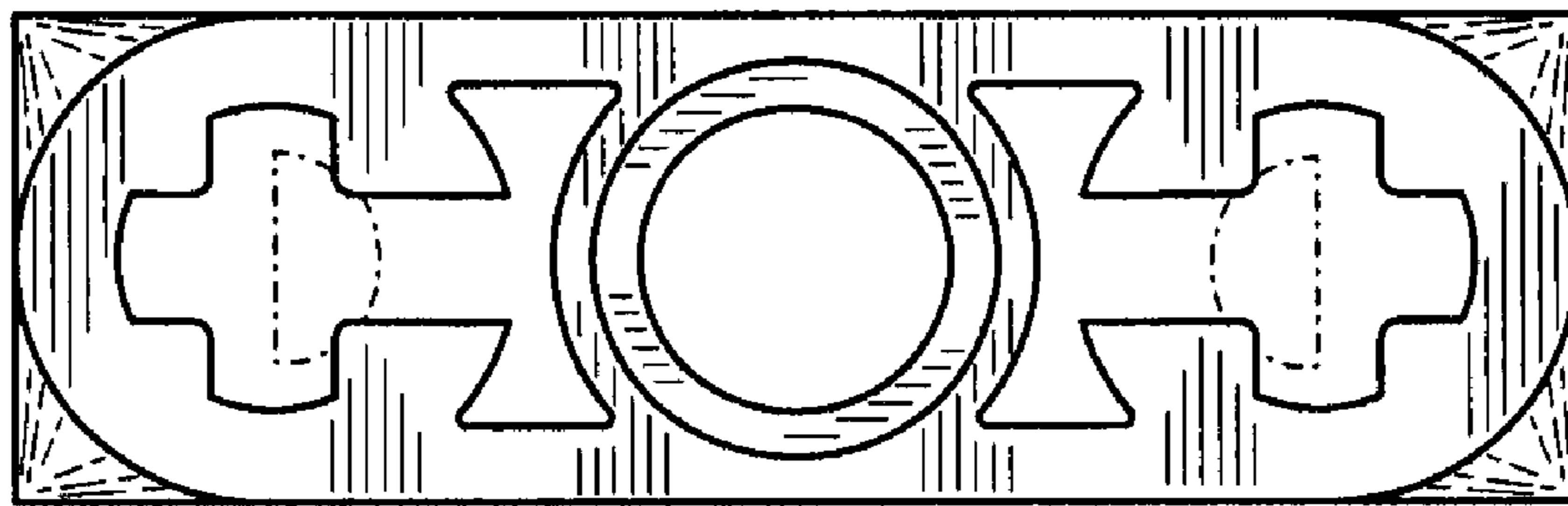


FIG. 3

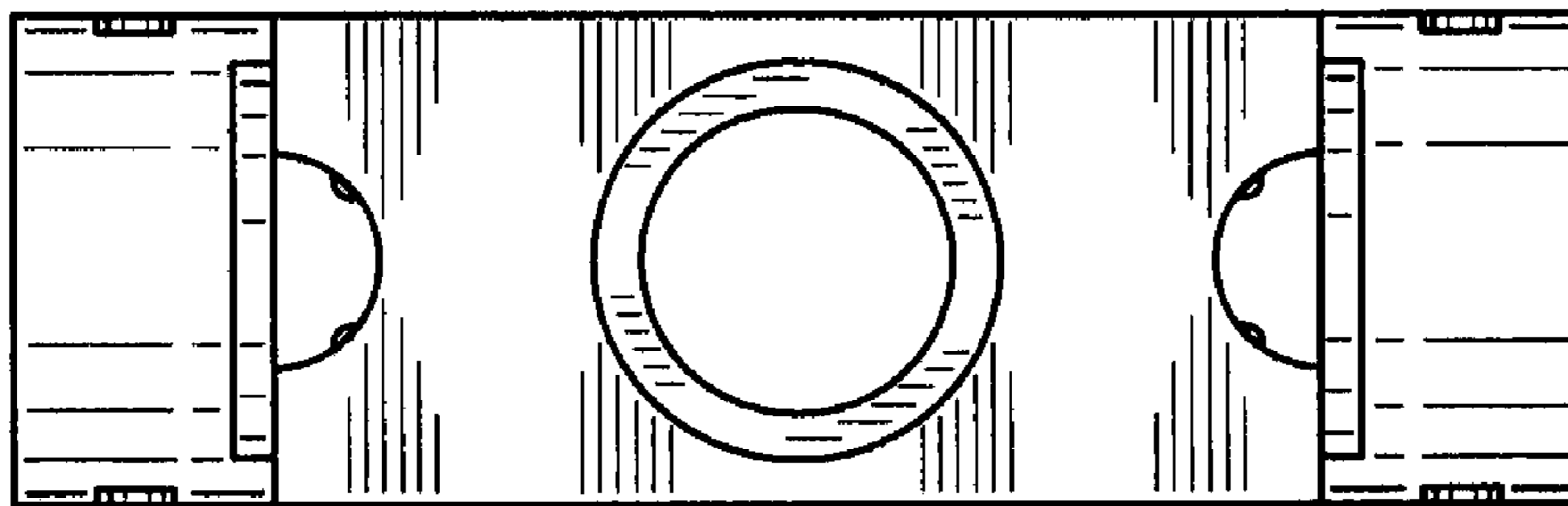


FIG. 4

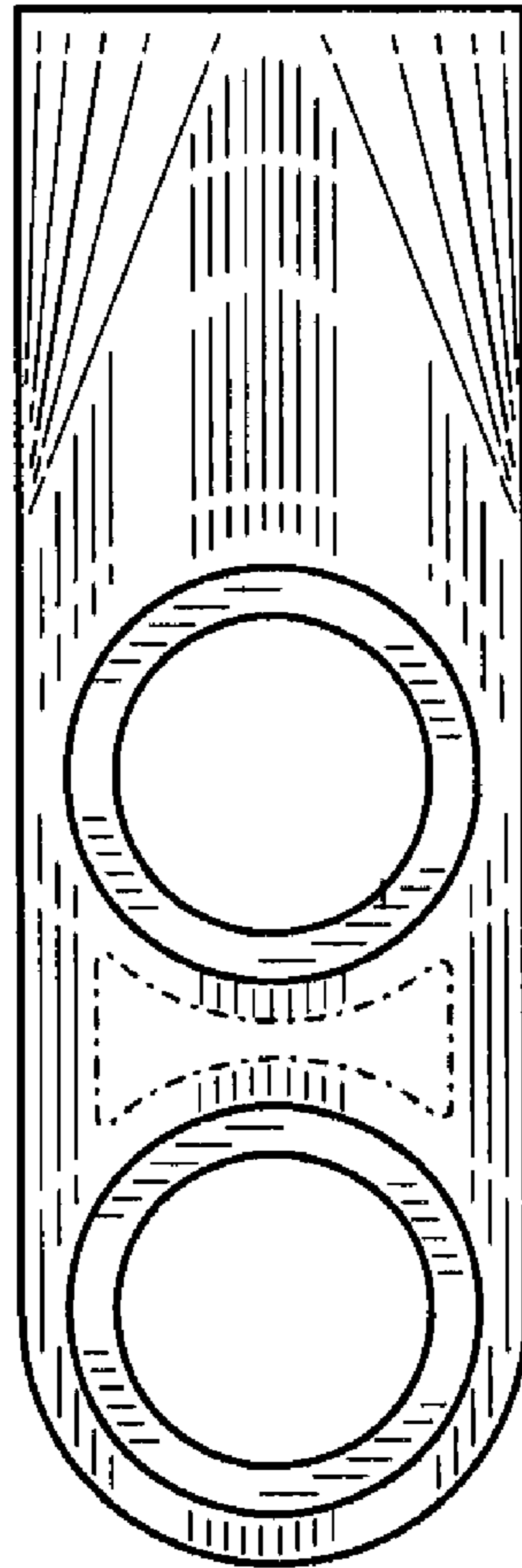


FIG. 5

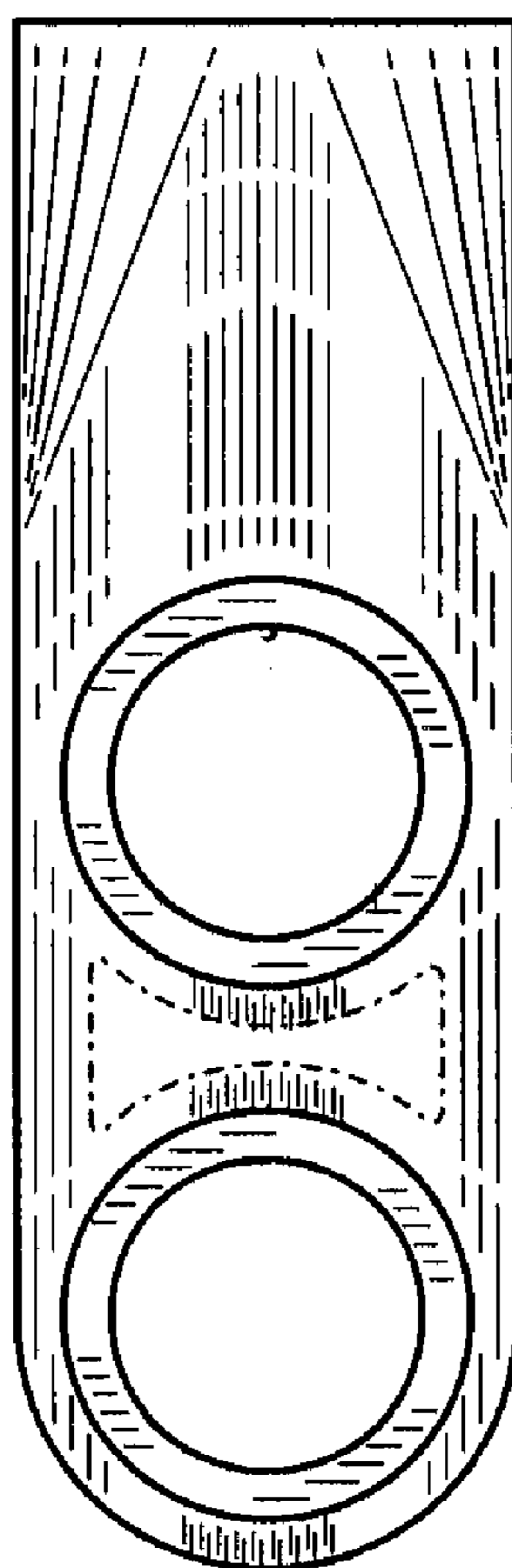


FIG. 6

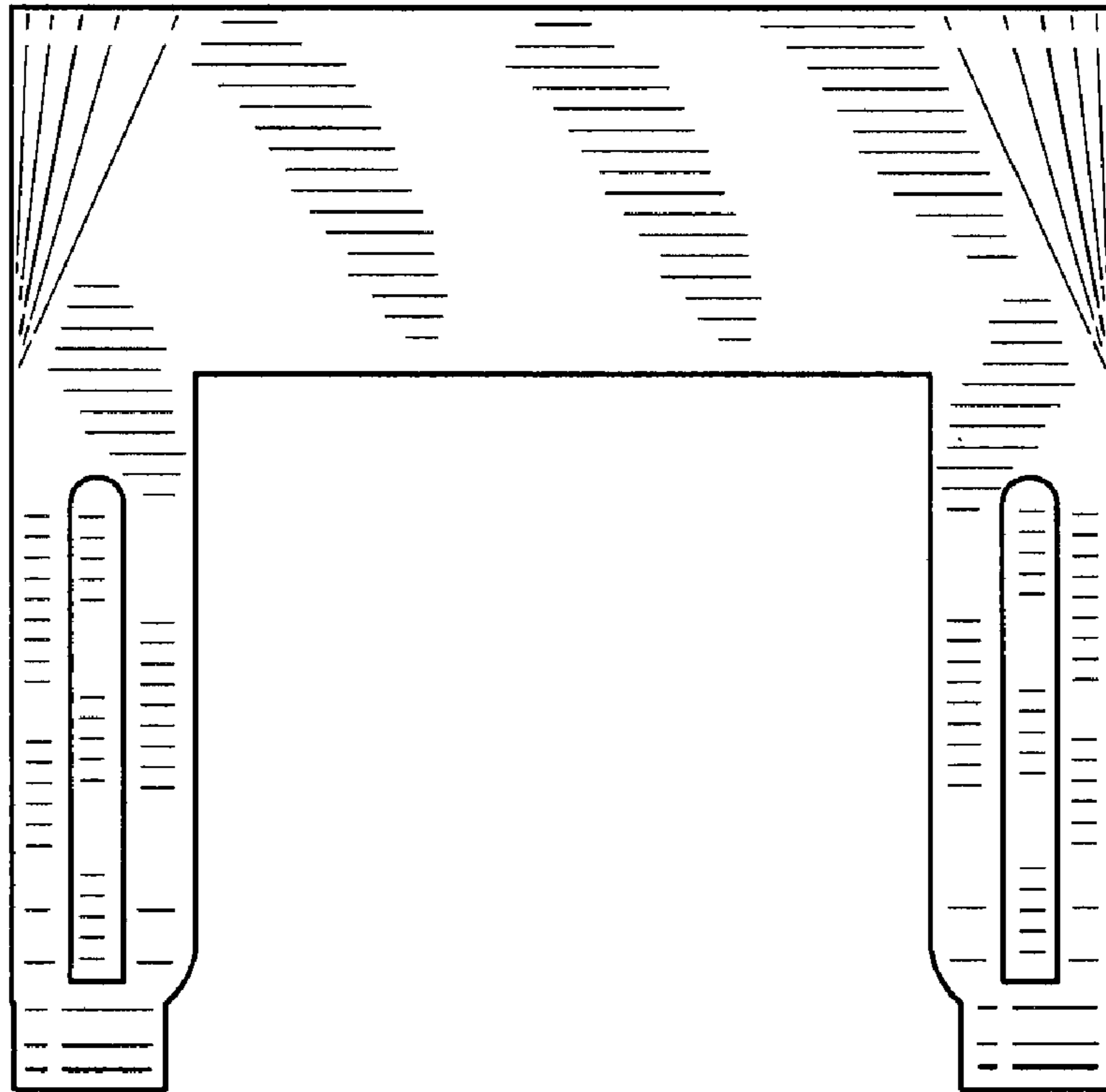


FIG. 7



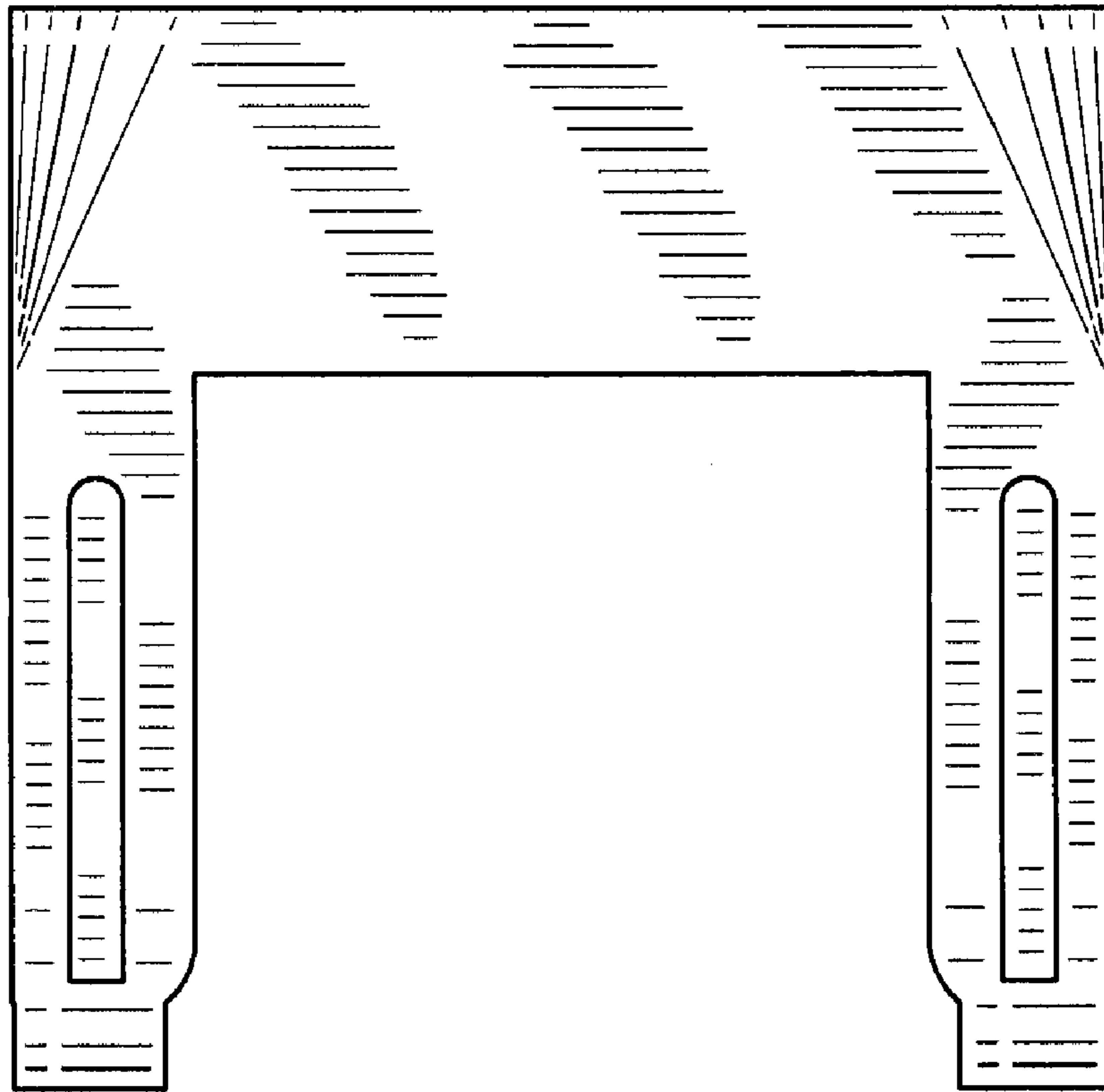


FIG. 8