



US00D641050S

(12) **United States Design Patent**
Matsui et al.

(10) **Patent No.:** **US D641,050 S**
(45) **Date of Patent:** **** Jul. 5, 2011**

(54) **INFORMATION STORING CARTRIDGE FOR ELECTRONIC COMPUTER**

(75) Inventors: **Takayoshi Matsui**, Kyoto (JP); **Hideaki Kamata**, Kyoto (JP)

(73) Assignee: **Nintendo Co., Ltd.**, Kyoto (JP)

(**) Term: **14 Years**

(21) Appl. No.: **29/380,748**

(22) Filed: **Dec. 10, 2010**

(30) **Foreign Application Priority Data**

Jun. 11, 2010 (JP) 2010-014465

(51) **LOC (9) Cl.** **21-01**

(52) **U.S. Cl.** **D21/332**

(58) **Field of Classification Search** D21/332,
D21/324; D14/400, 401, 432-435; 273/148 B;
463/1, 29-47

See application file for complete search history.

(56) **References Cited**

U.S. PATENT DOCUMENTS

D319,823 S * 9/1991 Kojo D14/438
5,653,638 A * 8/1997 Nagata 463/44
5,809,520 A * 9/1998 Edwards et al. 711/115

5,926,438 A * 7/1999 Saito 367/111
6,109,939 A * 8/2000 Kondo et al. 439/140
6,333,854 B1 * 12/2001 Sasaoka et al. 361/737
D468,743 S * 1/2003 Kawanobe et al. D14/435
D478,358 S * 8/2003 Ashida D21/332
6,634,561 B1 * 10/2003 Wallace 235/492
D536,382 S * 2/2007 Sugino et al. D21/332
D539,355 S * 3/2007 Fujita D21/332
D550,775 S * 9/2007 Fujita D21/332
D611,143 S * 3/2010 Williams et al. D24/143

* cited by examiner

Primary Examiner — Prabhakar Deshmukh

(74) *Attorney, Agent, or Firm* — Nixon & Vanderhye, P.C.

(57) **CLAIM**

The ornamental design for an information storing cartridge for electronic computer, as shown and described.

DESCRIPTION

FIG. 1 is front, right and bottom perspective view of an information storing cartridge for electronic computer showing our new design;

FIG. 2 is rear, left and top perspective view thereof;

FIG. 3 is a front view thereof;

FIG. 4 is a rear view thereof;

FIG. 5 is a top plan view thereof;

FIG. 6 is a bottom plan view thereof;

FIG. 7 is a left side view thereof; and,

FIG. 8 is a right side view thereof.

1 Claim, 3 Drawing Sheets

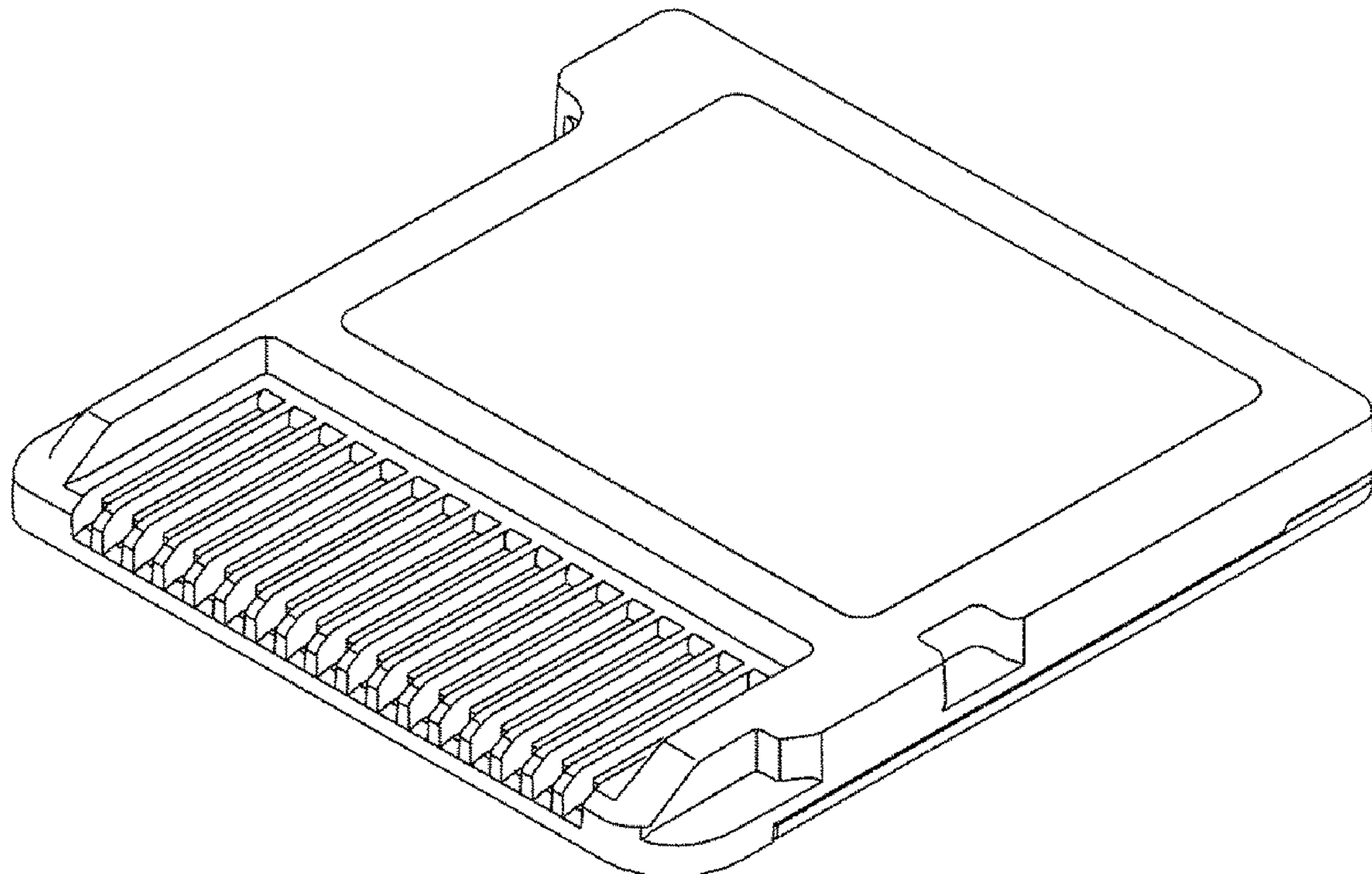


FIG. 1

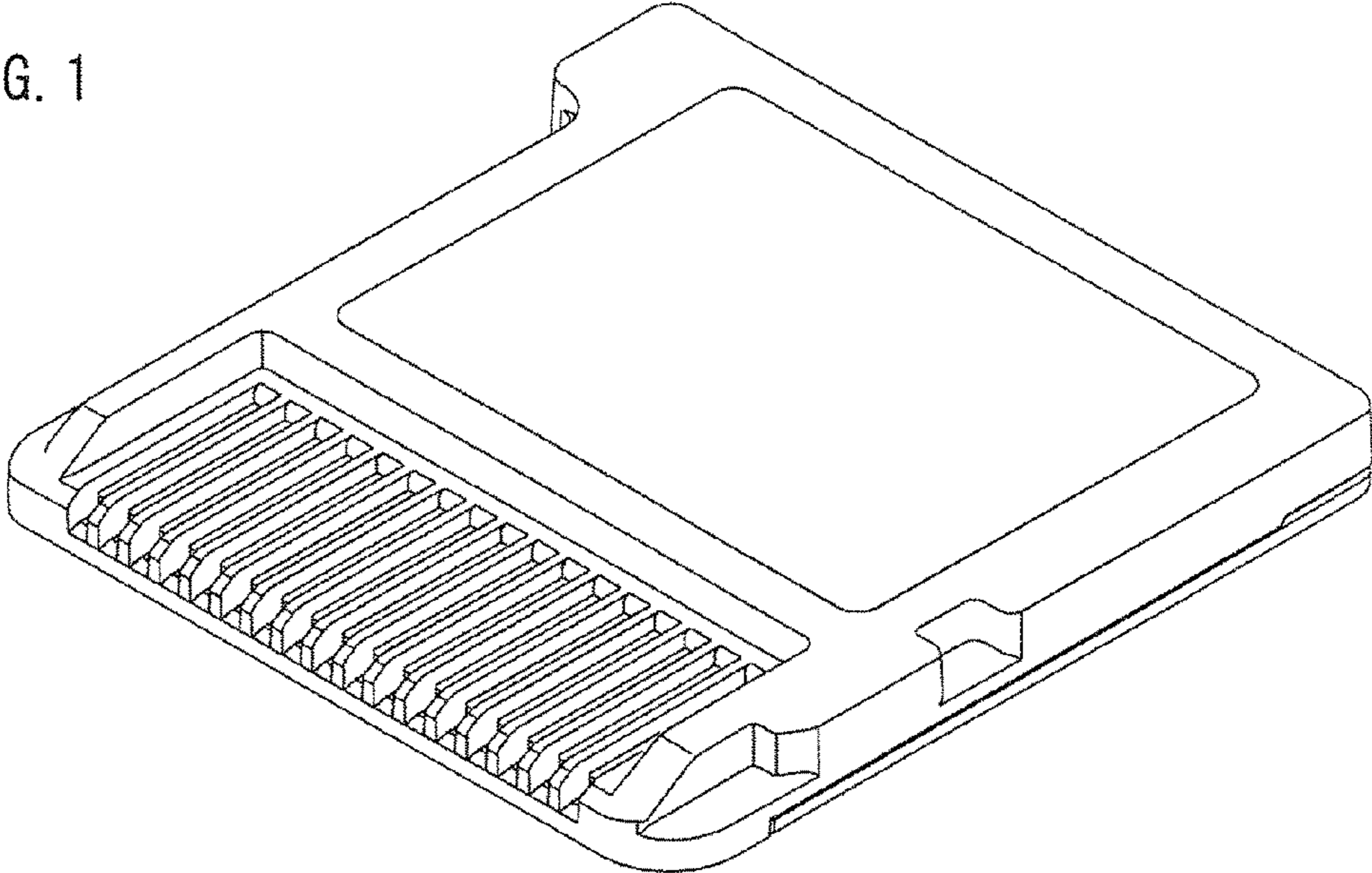


FIG. 2

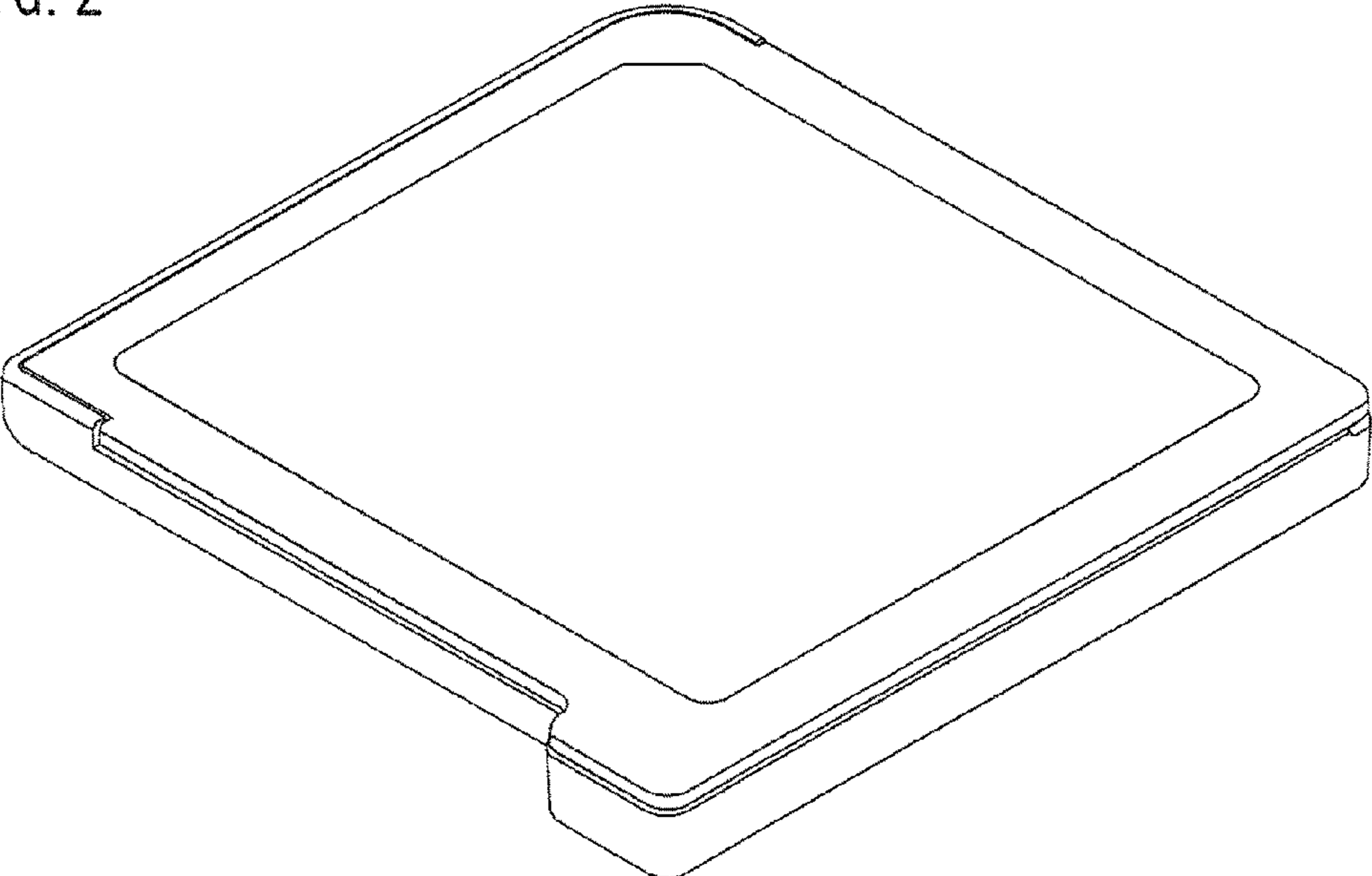


FIG. 3

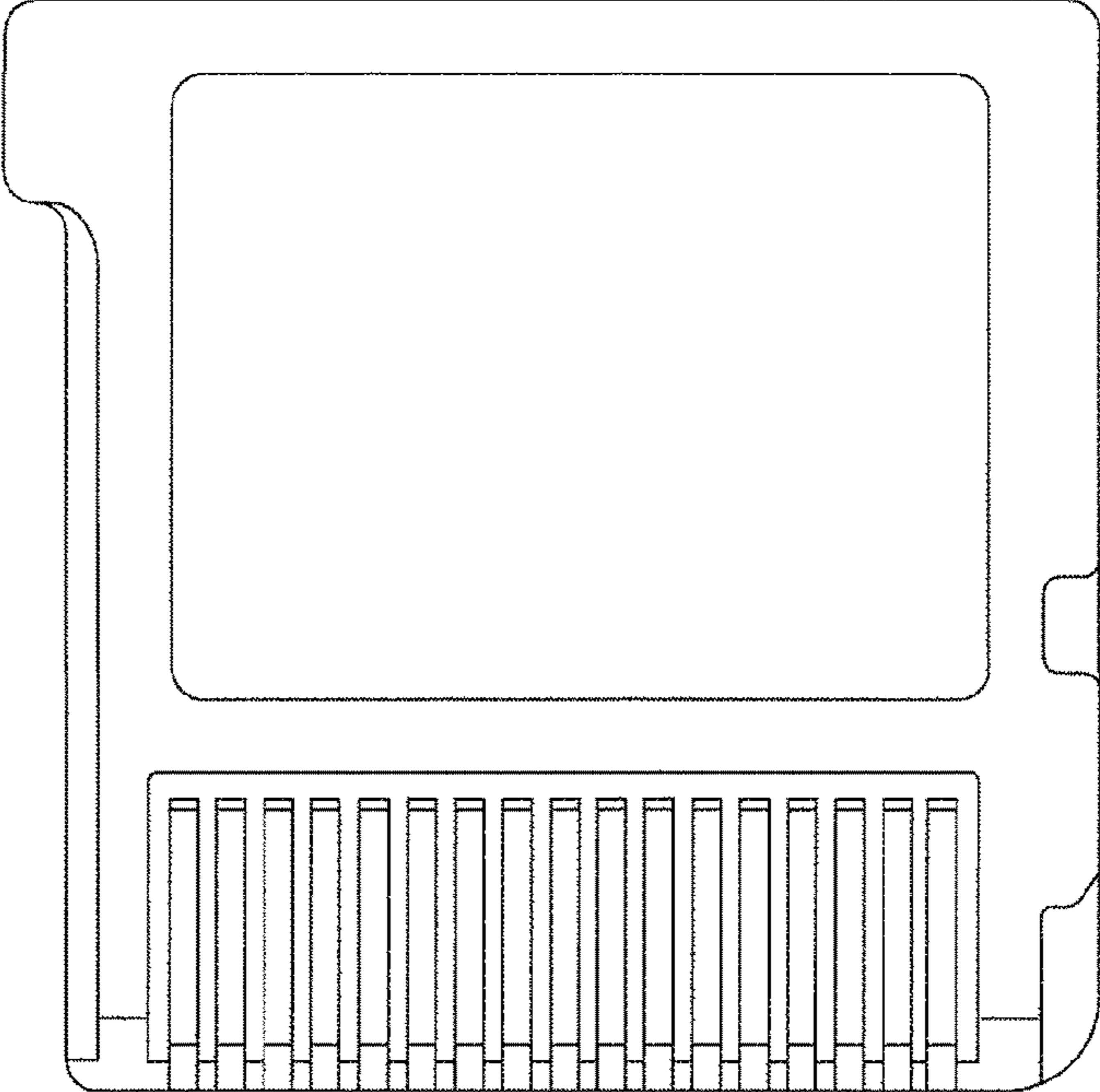


FIG. 4

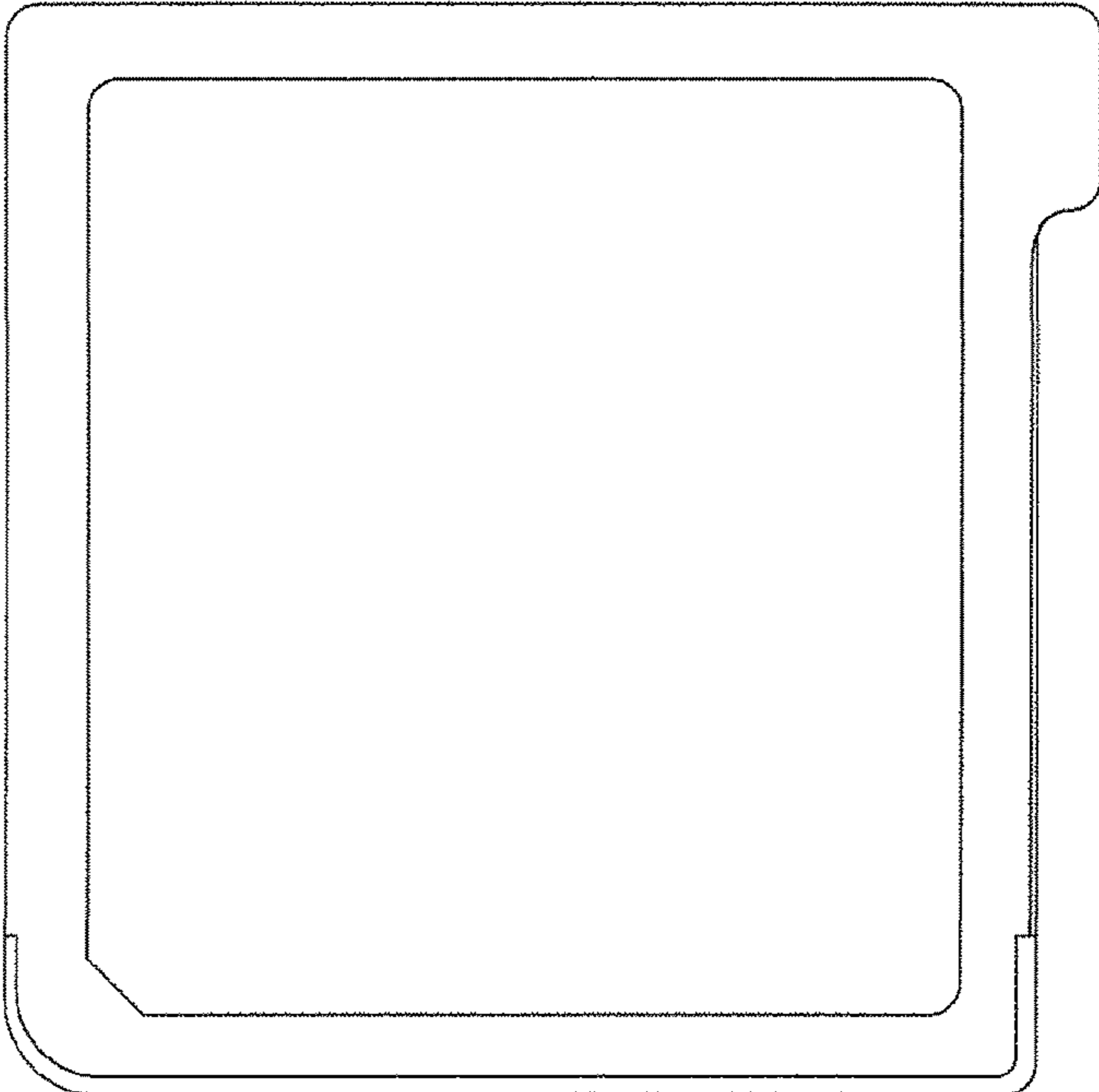


FIG. 5

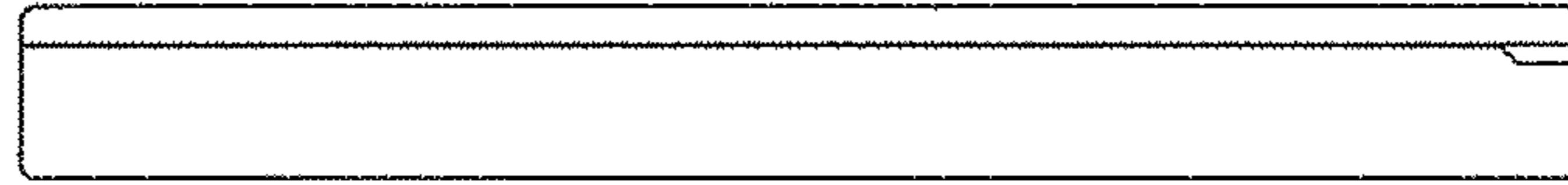


FIG. 6

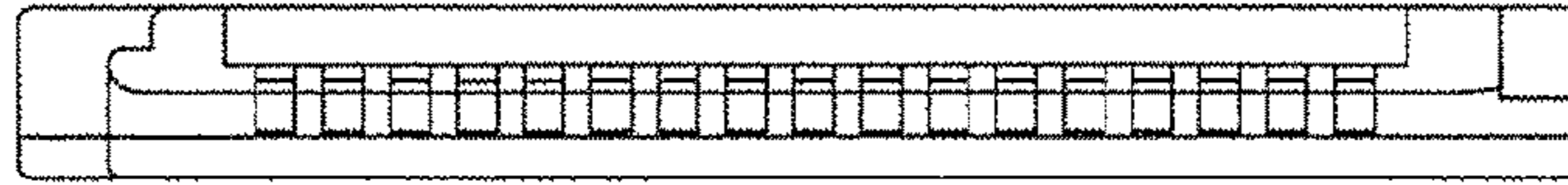


FIG. 7

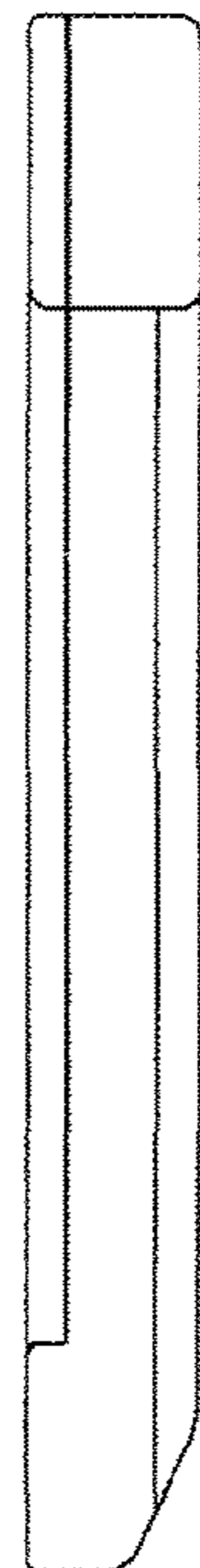


FIG. 8

