



US00D641049S

(12) **United States Design Patent**  
**Ehara et al.**

(10) **Patent No.:** **US D641,049 S**

(45) **Date of Patent:** **\*\* Jul. 5, 2011**

(54) **PORTABLE ELECTRONIC COMPUTER**

(75) Inventors: **Yui Ehara**, Kyoto (JP); **Junichiro Miyatake**, Kyoto (JP); **Hiroki Goto**, Kyoto (JP); **Kochi Kawai**, Kyoto (JP); **Satoshi Ishibashi**, Kyoto (JP)

(73) Assignee: **Nintendo Co., Ltd.**, Kyoto (JP)

(\*\*) Term: **14 Years**

(21) Appl. No.: **29/380,743**

(22) Filed: **Dec. 10, 2010**

(51) **LOC (9) Cl.** ..... **21-01**

(52) **U.S. Cl.** ..... **D21/330; D21/333**

(58) **Field of Classification Search** ..... D21/324, D21/329, 330, 333; D14/496, 125; 273/148 B; 463/1, 2, 29-36, 45, 47; 345/156, 173, 867, 345/903; 361/679, 681, 672, 500

See application file for complete search history.

(56) **References Cited**

**U.S. PATENT DOCUMENTS**

D275,971 S	10/1984	Yokoi	
4,542,903 A	9/1985	Yokoi et al.	
D318,884 S	8/1991	Kojo	
D319,823 S	9/1991	Kojo	
D325,225 S	4/1992	Adhida	
5,168,423 A *	12/1992	Ohgami et al.	361/679.07
D333,493 S	2/1993	Sato	
D347,450 S	5/1994	Nagata et al.	
D378,686 S	4/1997	Proctor et al.	
D383,798 S	9/1997	Yokoi et al.	
D402,708 S *	12/1998	Tai	D21/330
5,873,554 A *	2/1999	Nobuchi	248/278.1
D416,291 S	11/1999	Sugino	
D452,280 S *	12/2001	Ota et al.	D21/329
D453,536 S	2/2002	Ota et al.	
6,400,351 B1	6/2002	Ishizawa et al.	
6,498,721 B1 *	12/2002	Kim	361/679.06
D474,510 S	5/2003	Fayram et al.	
6,587,333 B2 *	7/2003	Tseng et al.	361/679.05

D484,918 S	1/2004	Okada et al.	
D484,958 S *	1/2004	Loberger et al.	D23/308
D494,190 S	8/2004	Hong et al.	
6,771,494 B2 *	8/2004	Shimano	361/679.06
6,850,407 B2	2/2005	Tanimoto et al.	
6,958,902 B2	10/2005	Tseng et al.	
D523,238 S	6/2006	Miyamoto et al.	
D524,870 S	7/2006	Sugino et al.	
D532,051 S	11/2006	Sugino et al.	
D536,382 S	2/2007	Sugino et al.	
D554,194 S	10/2007	Ehara et al.	

(Continued)

**OTHER PUBLICATIONS**

U.S. Appl. No. 29/380,772, filed Dec. 10, 2010; pending.

(Continued)

*Primary Examiner* — Prabhakar Deshmukh

(74) *Attorney, Agent, or Firm* — Nixon & Vanderhye, P.C.

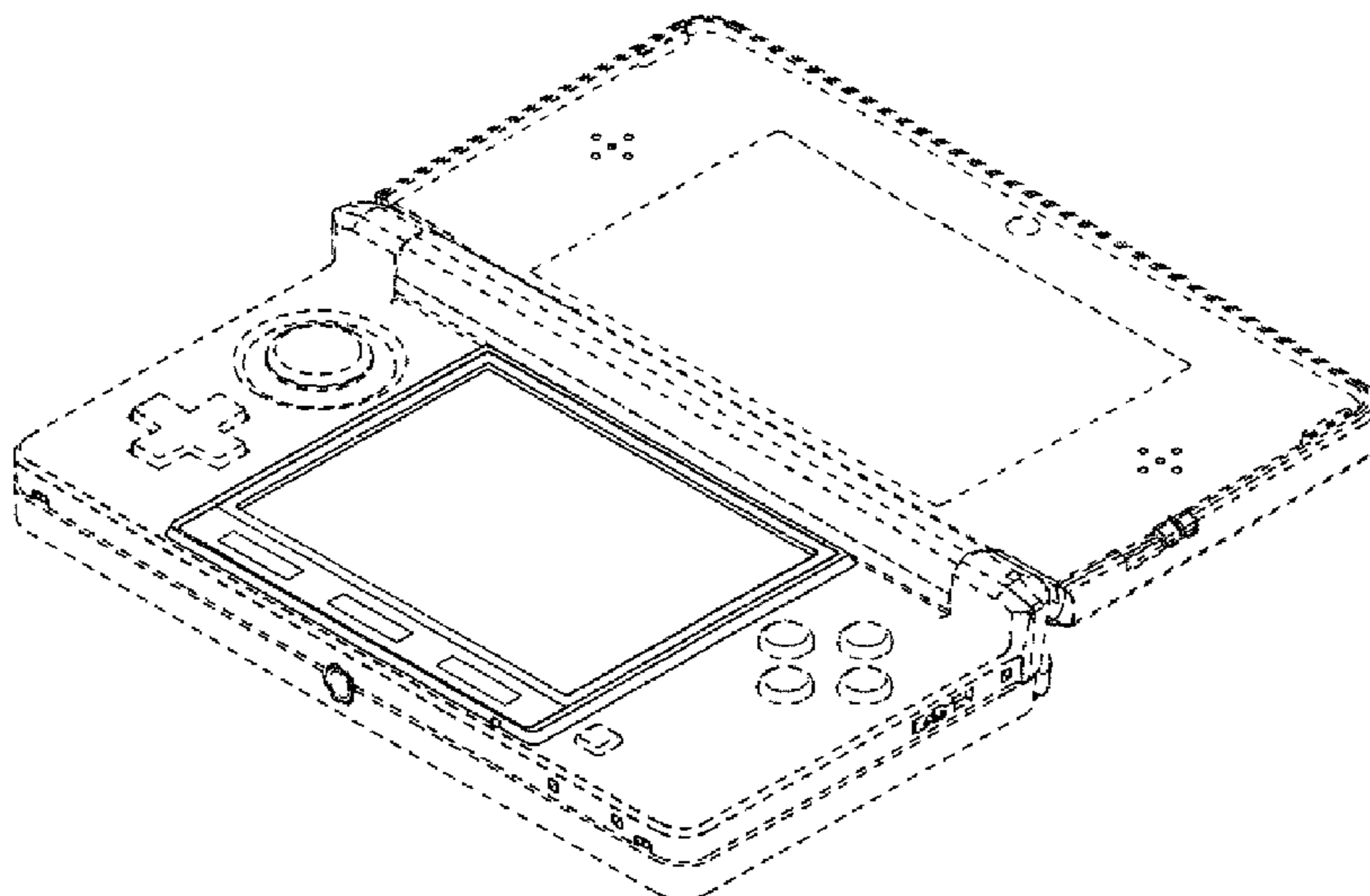
(57) **CLAIM**

The ornamental design for a portable electronic computer, as shown and described.

**DESCRIPTION**

FIG. 1 is front, bottom and right perspective view of a portable electronic computer showing our new design, a lid with display being opened;  
FIG. 2 is rear, top and left perspective view thereof;  
FIG. 3 is a front view thereof;  
FIG. 4 is a rear view thereof;  
FIG. 5 is a top plan view thereof;  
FIG. 6 is a bottom plan view thereof;  
FIG. 7 is a left side view thereof; and,  
FIG. 8 is a right side view thereof.  
The broken lines are for illustrative purpose only and form no part of the claimed design.

**1 Claim, 3 Drawing Sheets**



# US D641,049 S

Page 2

---

## U.S. PATENT DOCUMENTS

D554,195 S 10/2007 Kawanobe et al.  
D555,667 S \* 11/2007 Hussaini et al. .... D14/496  
D556,759 S 12/2007 Kawanobe et al.  
D568,884 S 5/2008 Kawanobe et al.  
D603,363 S \* 11/2009 Choi et al. .... D14/138 AB  
D607,946 S 1/2010 Ehara et al.

## OTHER PUBLICATIONS

U.S. Appl. No. 29/380,800, filed Dec. 10, 2010 (pending).

U.S. Appl. No. 29/384,964, filed Feb. 7, 2011 (pending).

\* cited by examiner

FIG. 1

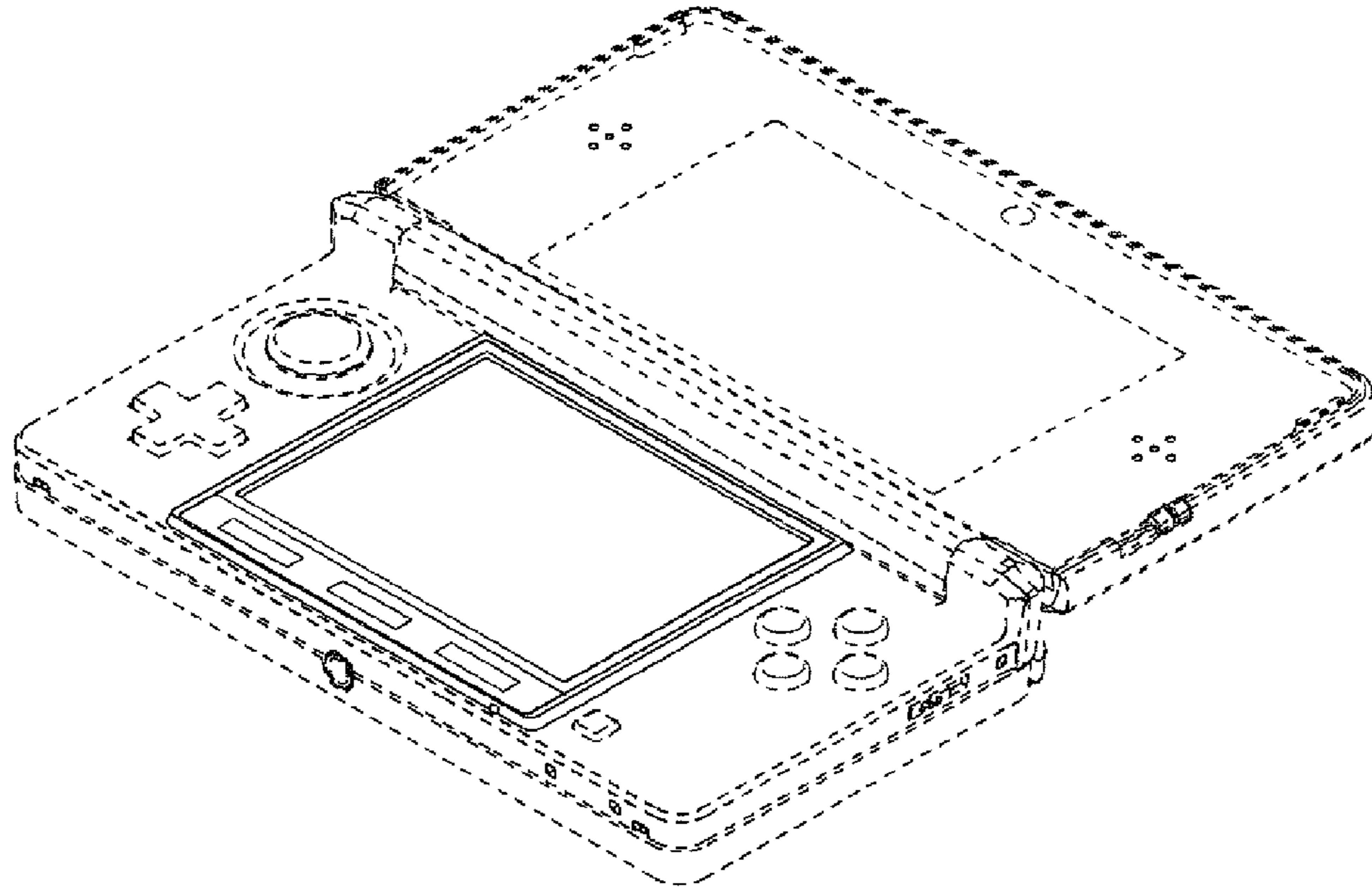


FIG. 2

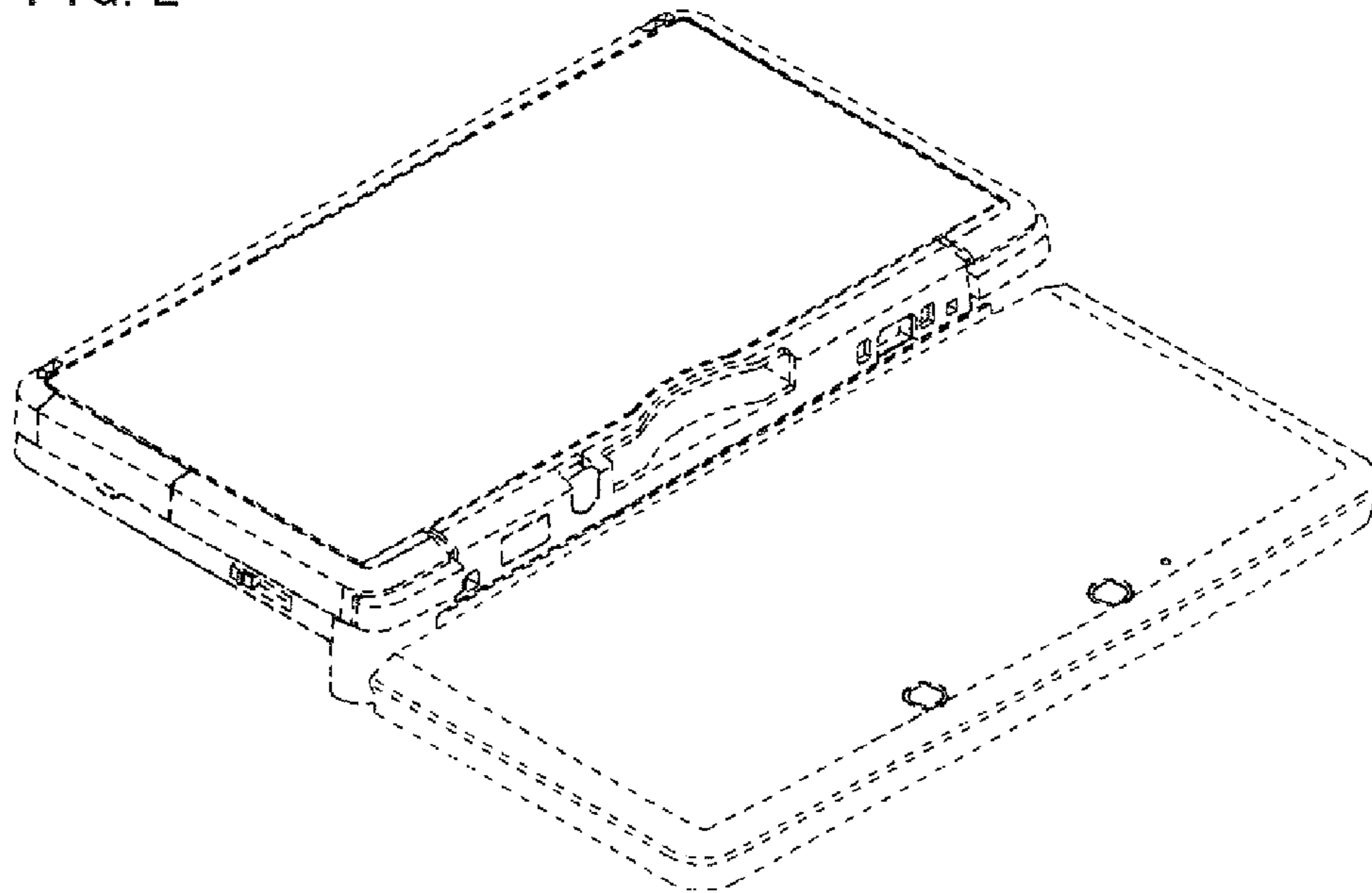


FIG. 3

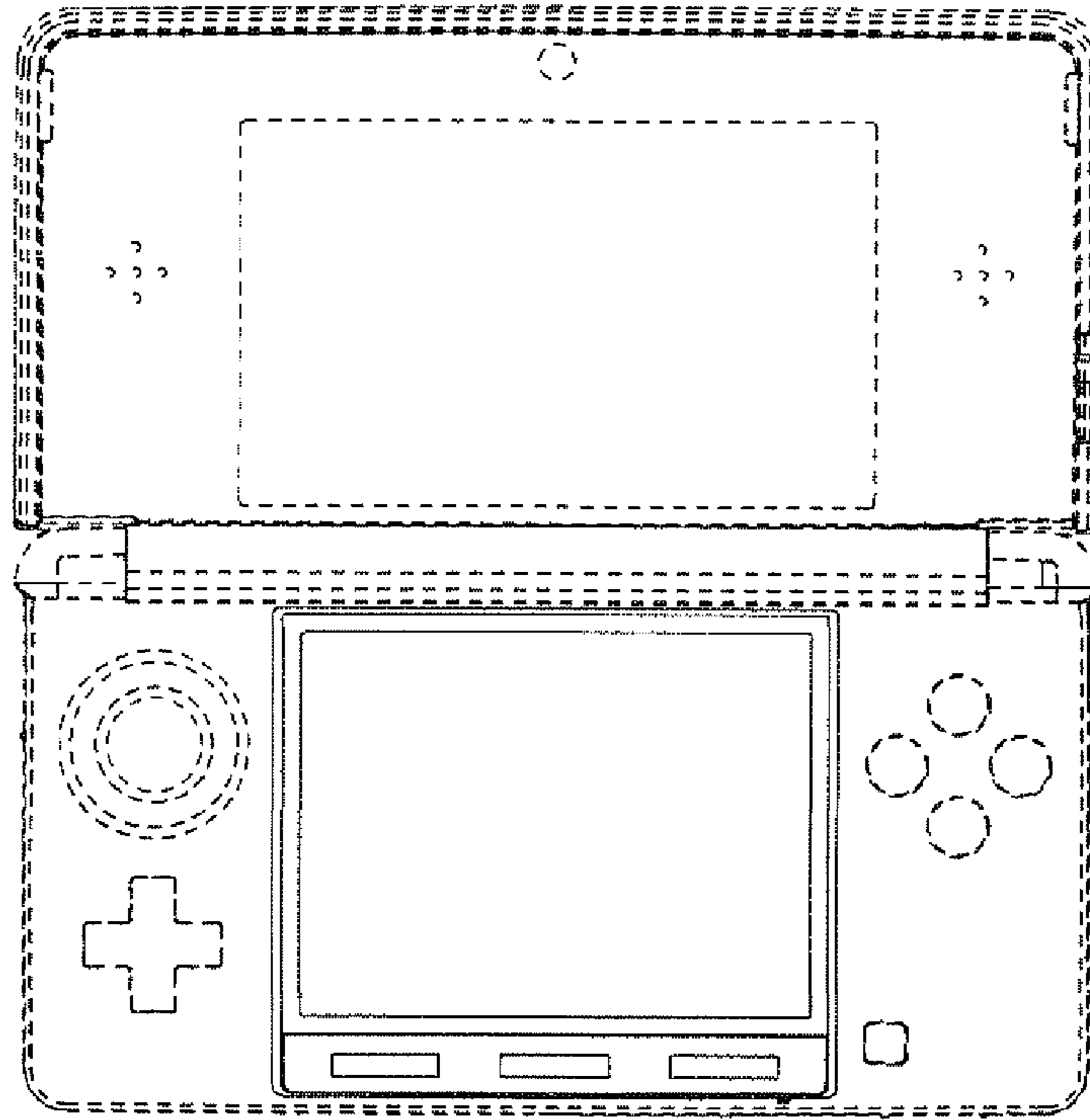


FIG. 4

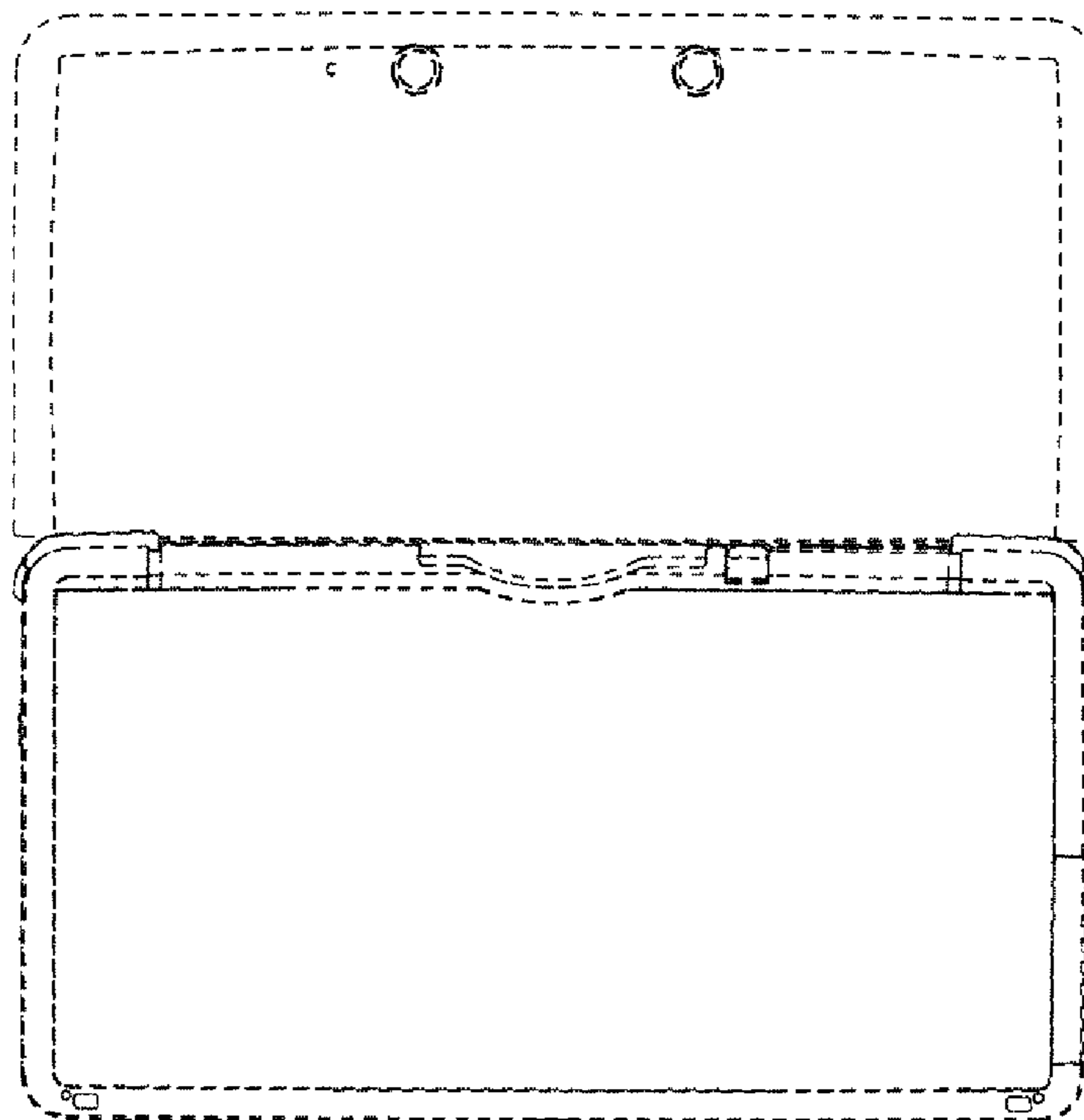


FIG. 5

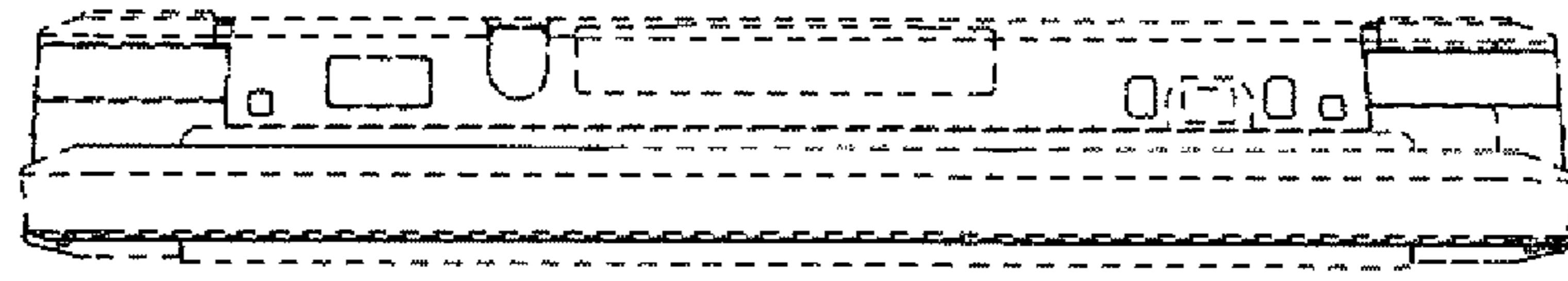


FIG. 6

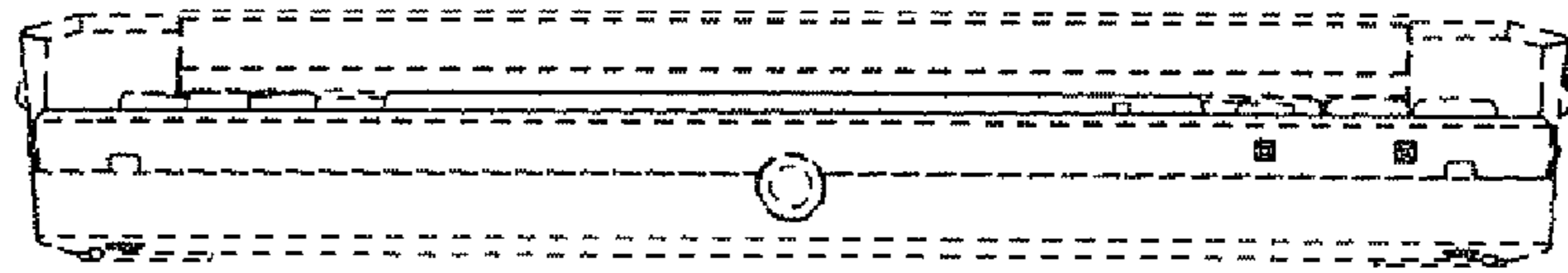


FIG. 7

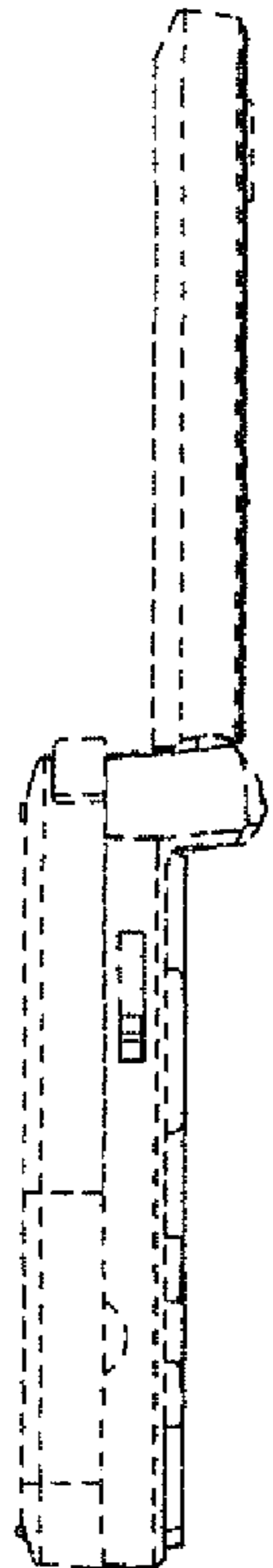


FIG. 8

