



US00D641048S

(12) **United States Design Patent**
Nunokawa et al.

(10) **Patent No.:** **US D641,048 S**

(45) **Date of Patent:** **** Jul. 5, 2011**

(54) **SIMULATED DRIVING GAME DEVICE**

(75) Inventors: **Hiroki Nunokawa**, Tokyo (JP); **Mari Fujisawa**, Tokyo (JP); **Naohiro Takazawa**, Tokyo (JP); **Yuki Hanafusa**, Tokyo (JP); **Yuji Sugimori**, Tokyo (JP)

(73) Assignee: **Kabushiki Kaisha Sega**, Tokyo (JP)

(**) Term: **14 Years**

(21) Appl. No.: **29/354,154**

(22) Filed: **Jan. 20, 2010**

(30) **Foreign Application Priority Data**

Jul. 24, 2009 (JP) 2009-016899

(51) **LOC (9) Cl.** **21-01**

(52) **U.S. Cl.** **D21/327**

(58) **Field of Classification Search** D21/324,
D21/328, 333, 307, 308, 369; 273/148 B,
273/407, 408, 317, 348, 237, 287, 138.2,
273/459, 460; 463/1, 2, 46-57; 206/315.3,
206/315.11

See application file for complete search history.

(56) **References Cited**

U.S. PATENT DOCUMENTS

D188,376 S * 7/1960 Hotkins D21/326
D243,626 S * 3/1977 Cheng D21/326
5,299,810 A * 4/1994 Pierce et al. 463/2
D396,898 S * 8/1998 Tsuda D21/326
D407,759 S * 4/1999 Isetani et al. D21/326
D410,255 S * 5/1999 Otomi et al. D21/325
6,410,835 B2 * 6/2002 Suzuki et al. 84/464 R

D471,594 S * 3/2003 Nojo D21/326
6,612,929 B2 * 9/2003 Fujimoto et al. 463/32
6,739,974 B2 * 5/2004 Kanno et al. 463/36
D507,022 S * 7/2005 Tsujino et al. D21/325
D545,912 S * 7/2007 Nunokawa D21/326
D561,840 S * 2/2008 Osuka et al. D21/325

* cited by examiner

Primary Examiner — Prabhakar Deshmukh

(74) *Attorney, Agent, or Firm* — Dickstein Shapiro LLP

(57) **CLAIM**

The ornamental design for the simulated driving game device, as shown and described.

DESCRIPTION

FIG. 1 is a front, top and right side perspective view of my new design for a simulated driving game device;
FIG. 2 is a front elevational view of the simulated driving game device of FIG. 1;
FIG. 3 is a rear elevational view of the simulated driving game device of FIG. 1;
FIG. 4 is a top plan view of the simulated driving game device of FIG. 1;
FIG. 5 is a bottom plan view of the simulated driving game device of FIG. 1;
FIG. 6 is a right side elevational view of the simulated driving game device of FIG. 1;
FIG. 7 is a left side elevational view of the simulated driving game device of FIG. 1; and,
FIG. 8 is a sectional view of the simulated driving game device of FIG. 1 taken along the line 8—8 in FIG. 4 in which internal structure is omitted.
The broken lines shown in FIGS. 1, 2, 3 and 8 are for illustrative purposes only and form no part of the claimed design.

1 Claim, 8 Drawing Sheets

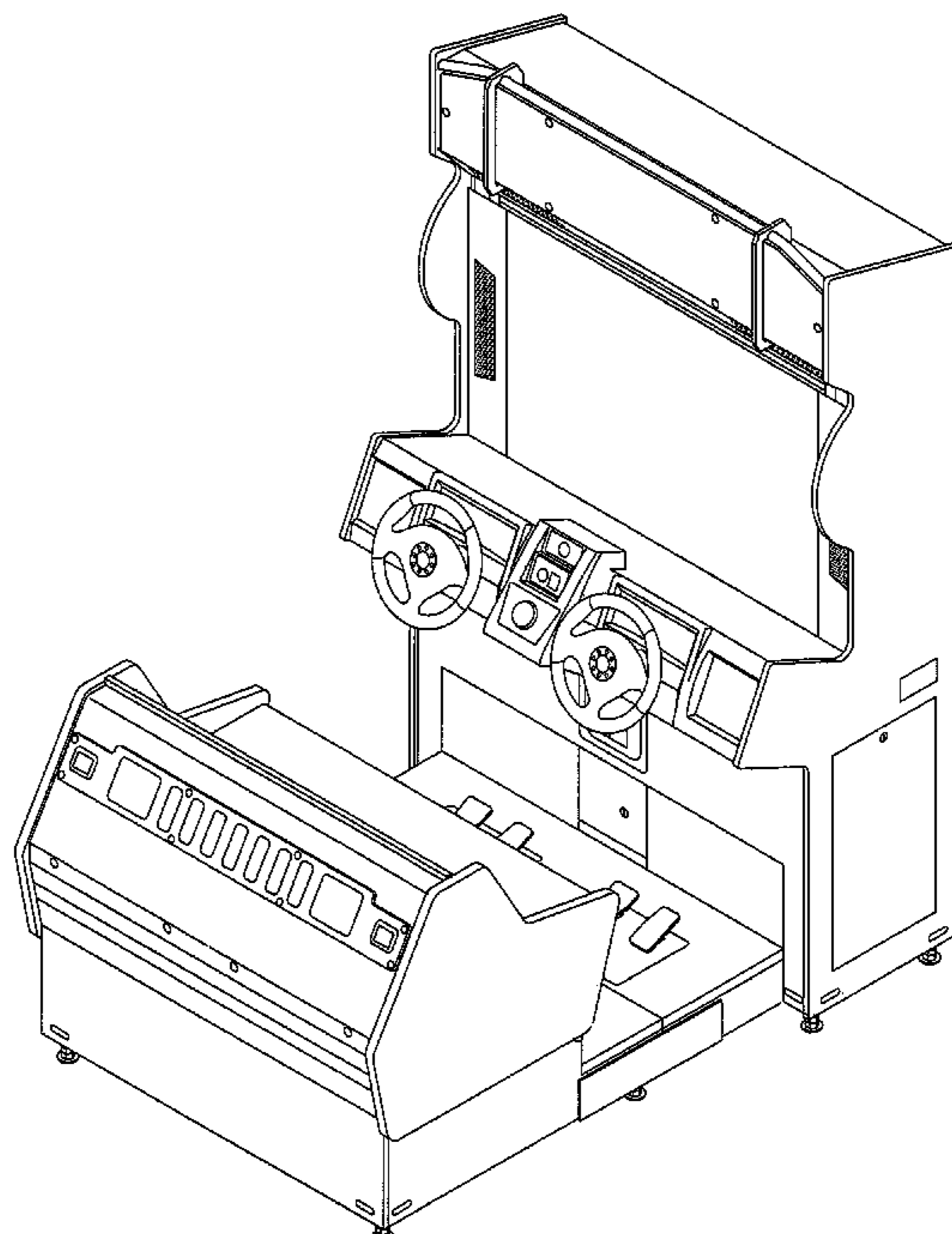


FIG. 1

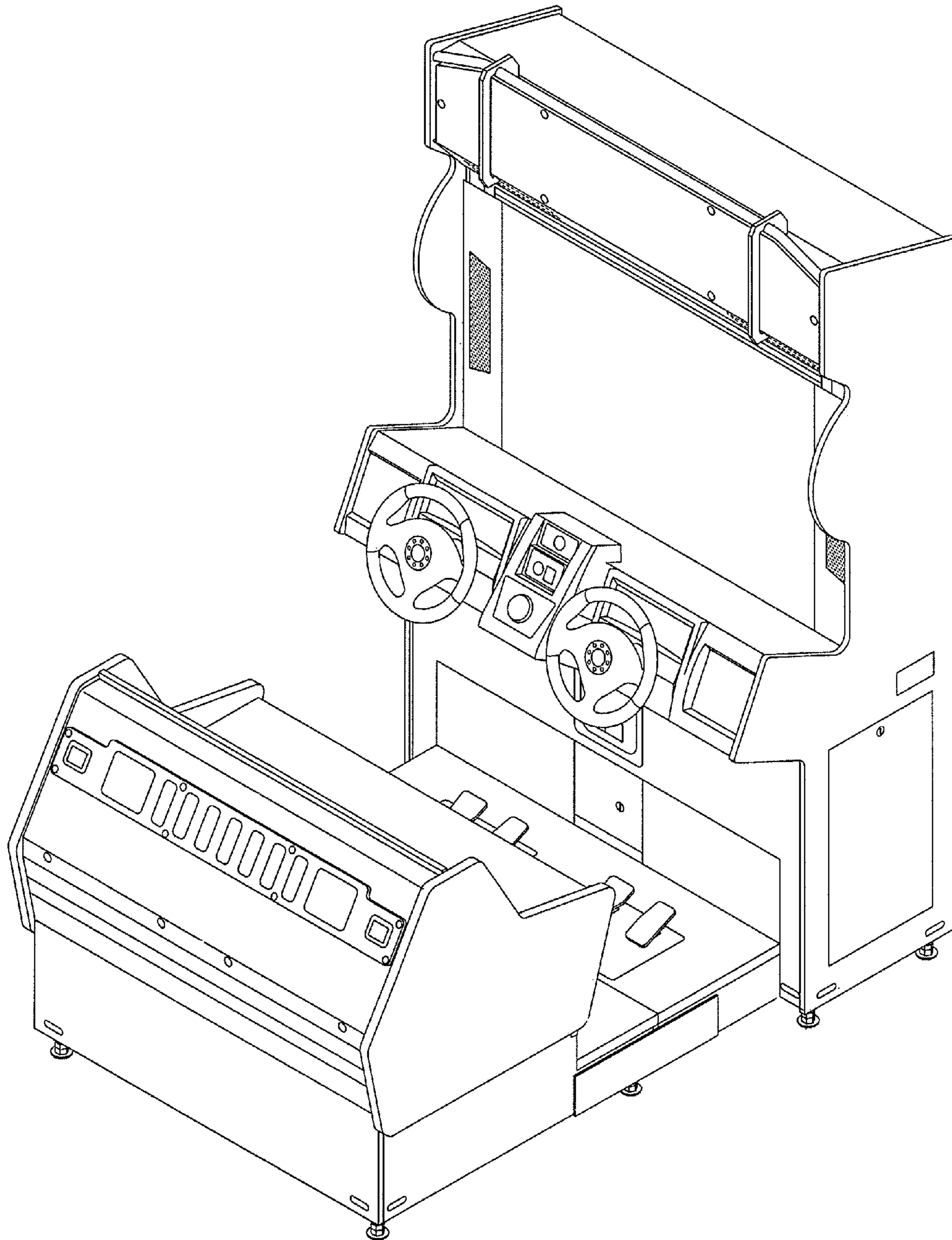


FIG.2

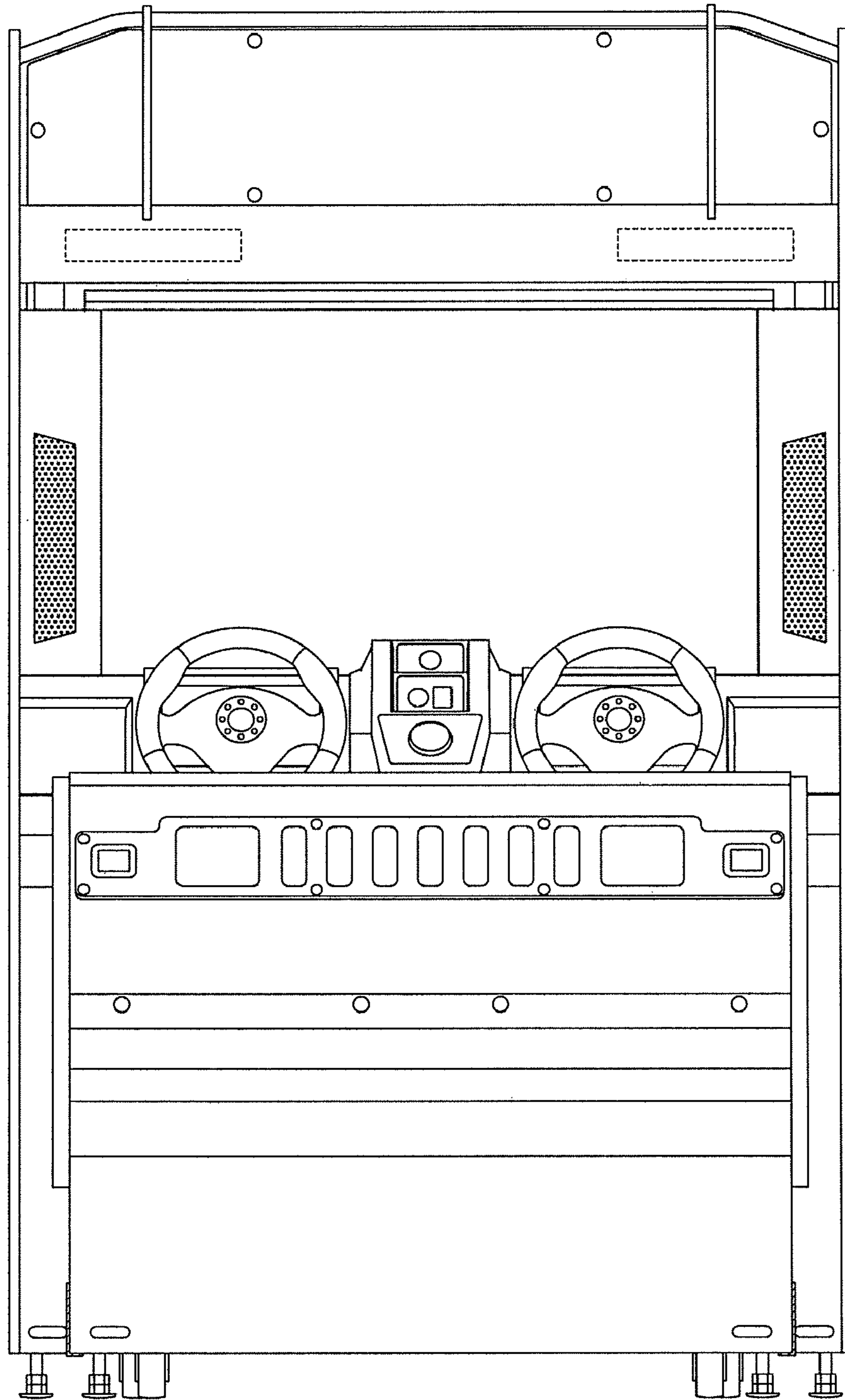


FIG.3

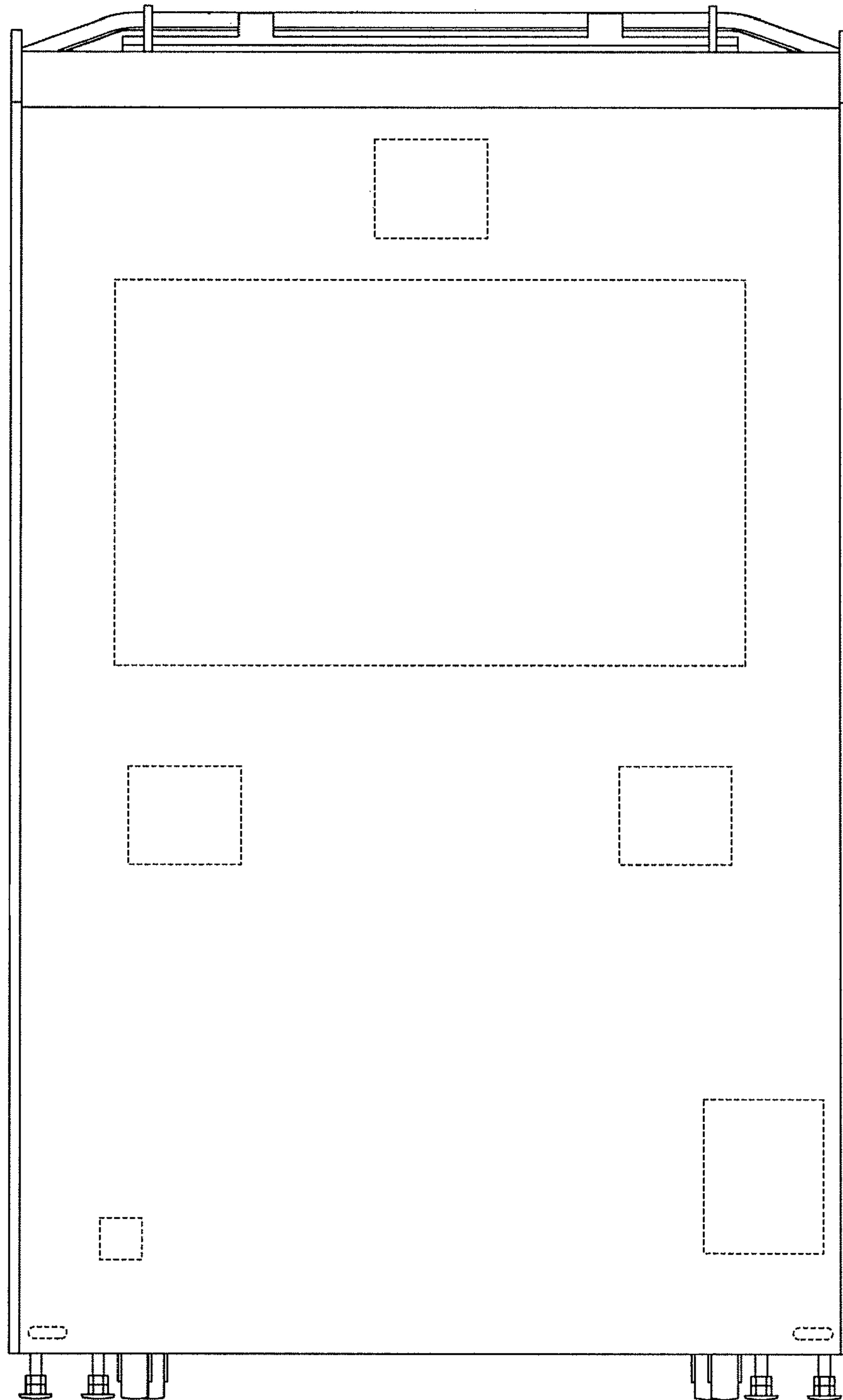


FIG.4

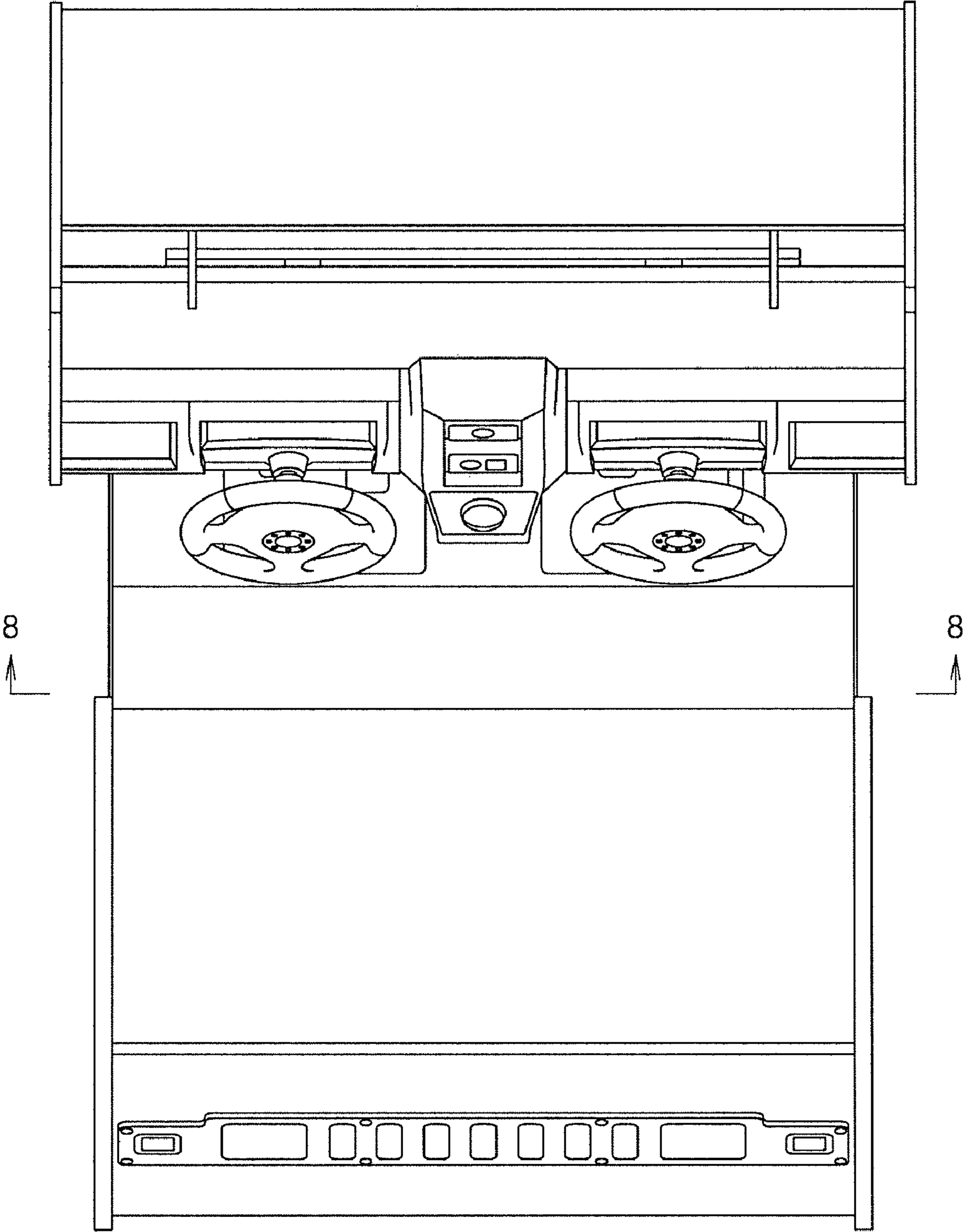


FIG.5

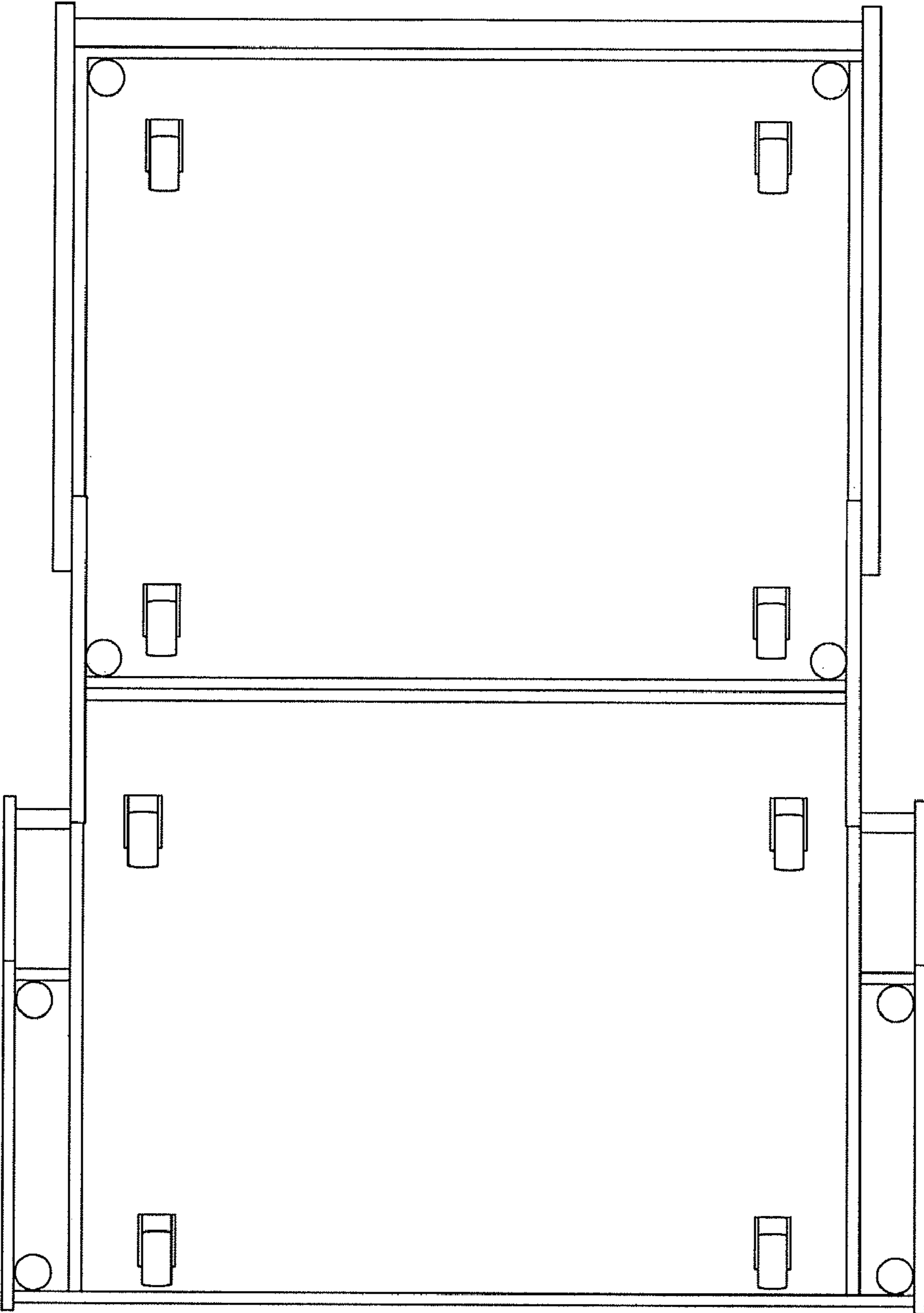


FIG.6

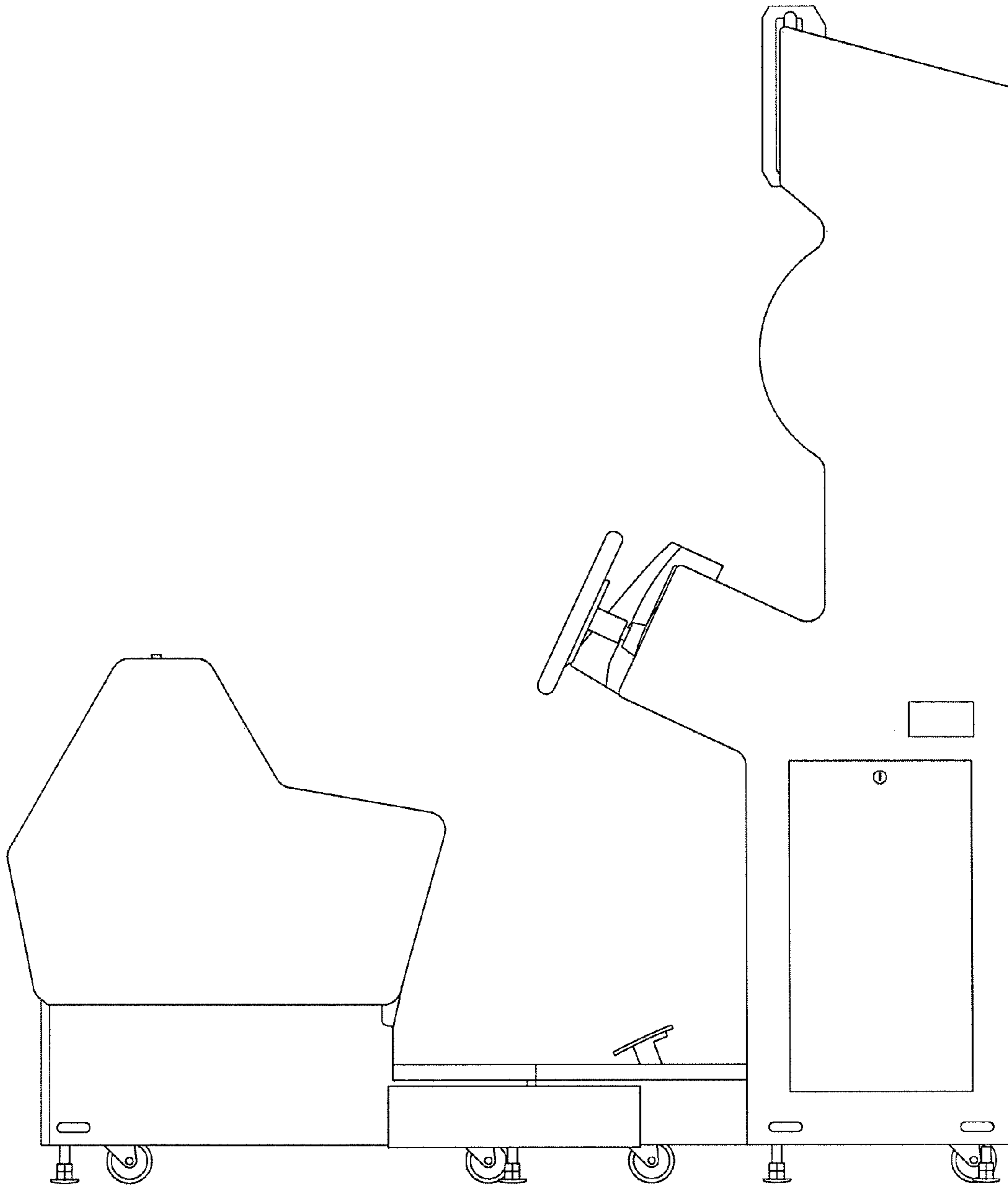


FIG.7

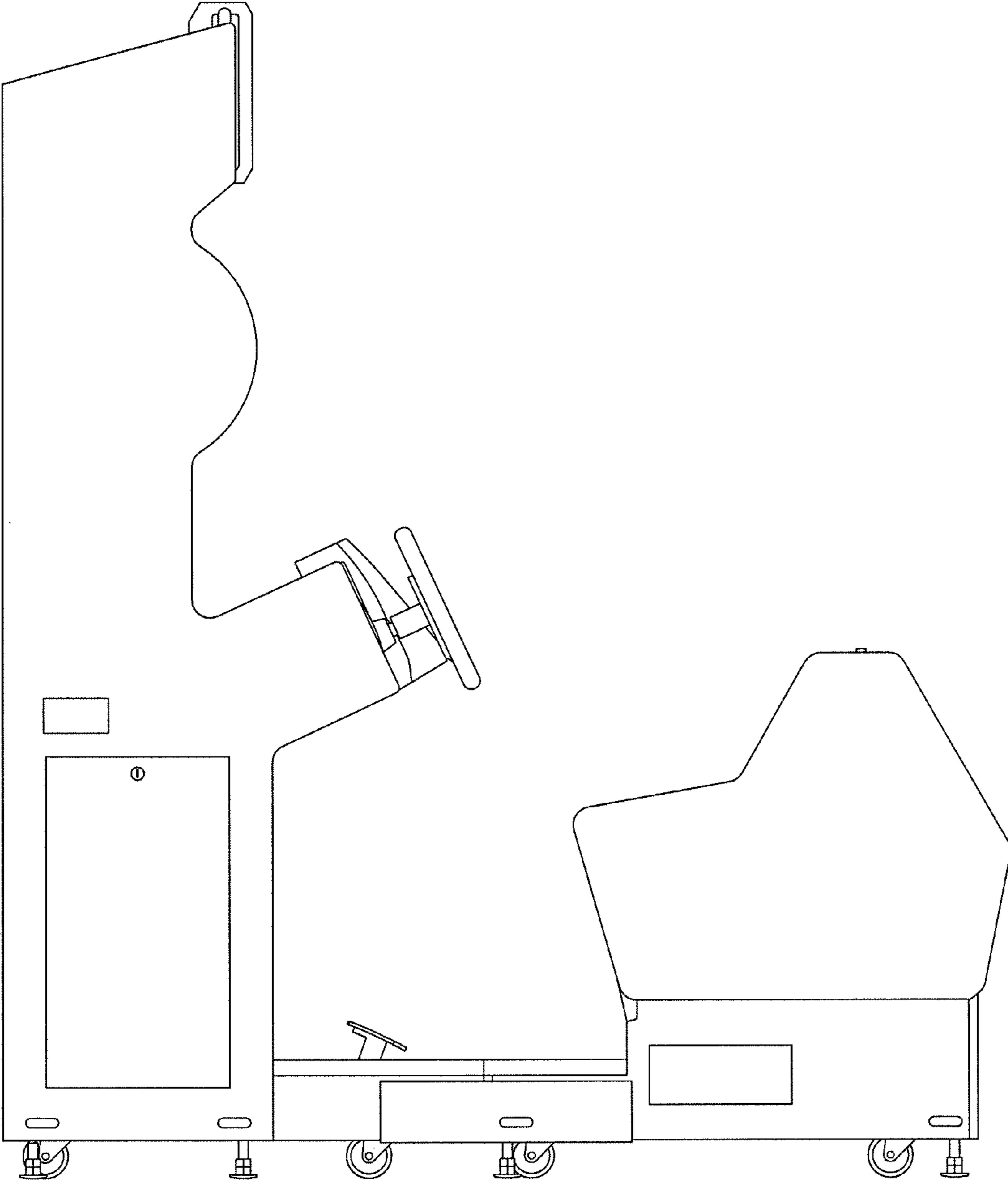


FIG.8

