



US00D641047S

(12) **United States Design Patent**  
**Tahara et al.**

(10) **Patent No.:** **US D641,047 S**  
(45) **Date of Patent:** **\*\* Jul. 5, 2011**

(54) **GAME MACHINE**

(75) Inventors: **Yukie Tahara**, Tokyo (JP); **Koichi Tomita**, Tokyo (JP)

(73) Assignee: **Konami Digital Entertainment Co., Ltd.**, Tokyo (JP)

(\*\*) Term: **14 Years**

(21) Appl. No.: **29/349,716**

(22) Filed: **Apr. 26, 2010**

(51) **LOC (9) Cl.** ..... **21-01**

(52) **U.S. Cl.** ..... **D21/325; D21/369**

(58) **Field of Classification Search** ..... **D21/325, D21/329, 333, 369-371, 385; 273/148 B, 273/138.1; 463/1, 16-21, 25, 42, 46, 47**  
See application file for complete search history.

(56) **References Cited**

**U.S. PATENT DOCUMENTS**

D238,379	S	*	1/1976	Miller	.....	D21/327
5,456,468	A	*	10/1995	Stringfellow et al.	.....	463/46
D373,809	S	*	9/1996	Hirato	.....	D21/327
D384,705	S	*	10/1997	Muraki et al.	.....	D21/326
D388,835	S	*	1/1998	Yamaguchi	.....	D21/327
5,813,914	A	*	9/1998	McKay et al.	.....	463/46
5,851,147	A	*	12/1998	Stupak et al.	.....	463/13

6,201,532	B1	*	3/2001	Tode et al.	.....	345/156
D460,915	S		7/2002	Lynch		
6,461,239	B1	*	10/2002	Sagawa et al.	.....	463/7
D473,269	S		4/2003	Tsuda		
D549,785	S		8/2007	Luciano, Jr. et al.		

**FOREIGN PATENT DOCUMENTS**

JP	D1264513	3/2006
JP	D1294537	2/2007
JP	D1316888	12/2007
JP	D1348685	1/2009

\* cited by examiner

*Primary Examiner* — Prabhakar Deshmukh

(74) *Attorney, Agent, or Firm* — Jordan and Hamburg LLP

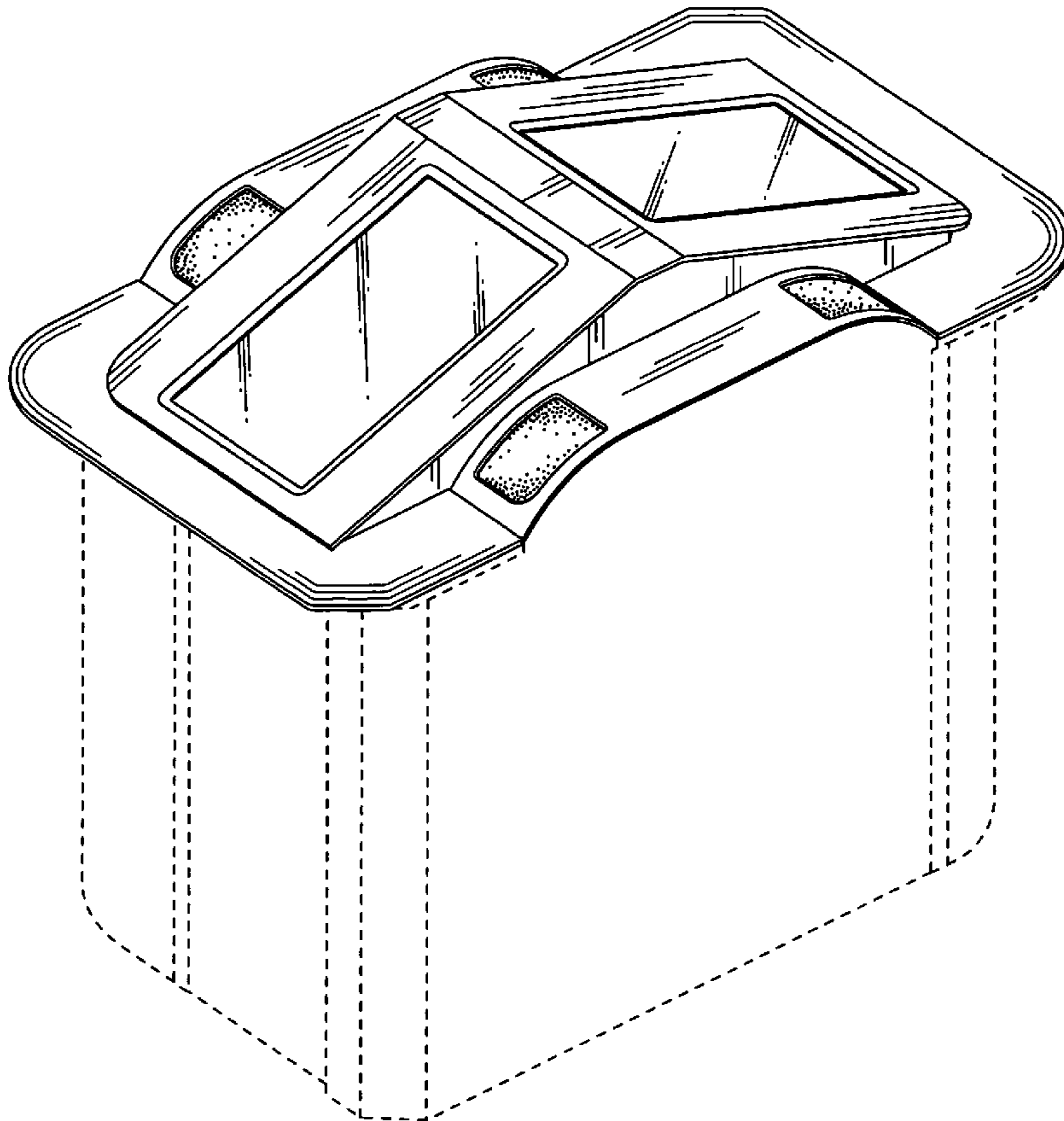
(57) **CLAIM**

The ornamental design for a game machine, as shown and described.

**DESCRIPTION**

FIG. 1 is a first perspective view of a game machine; FIG. 2 is a second perspective view thereof; FIG. 3 is a front view thereof, the opposite side being an identical image of the side shown herein; FIG. 4 is a left side view thereof, the opposite side being an identical image of the side shown herein; and, FIG. 5 is a top view thereof.  
The portion shown by broken lines is for illustrative purposes only and forms no part of the claimed design.

**1 Claim, 5 Drawing Sheets**



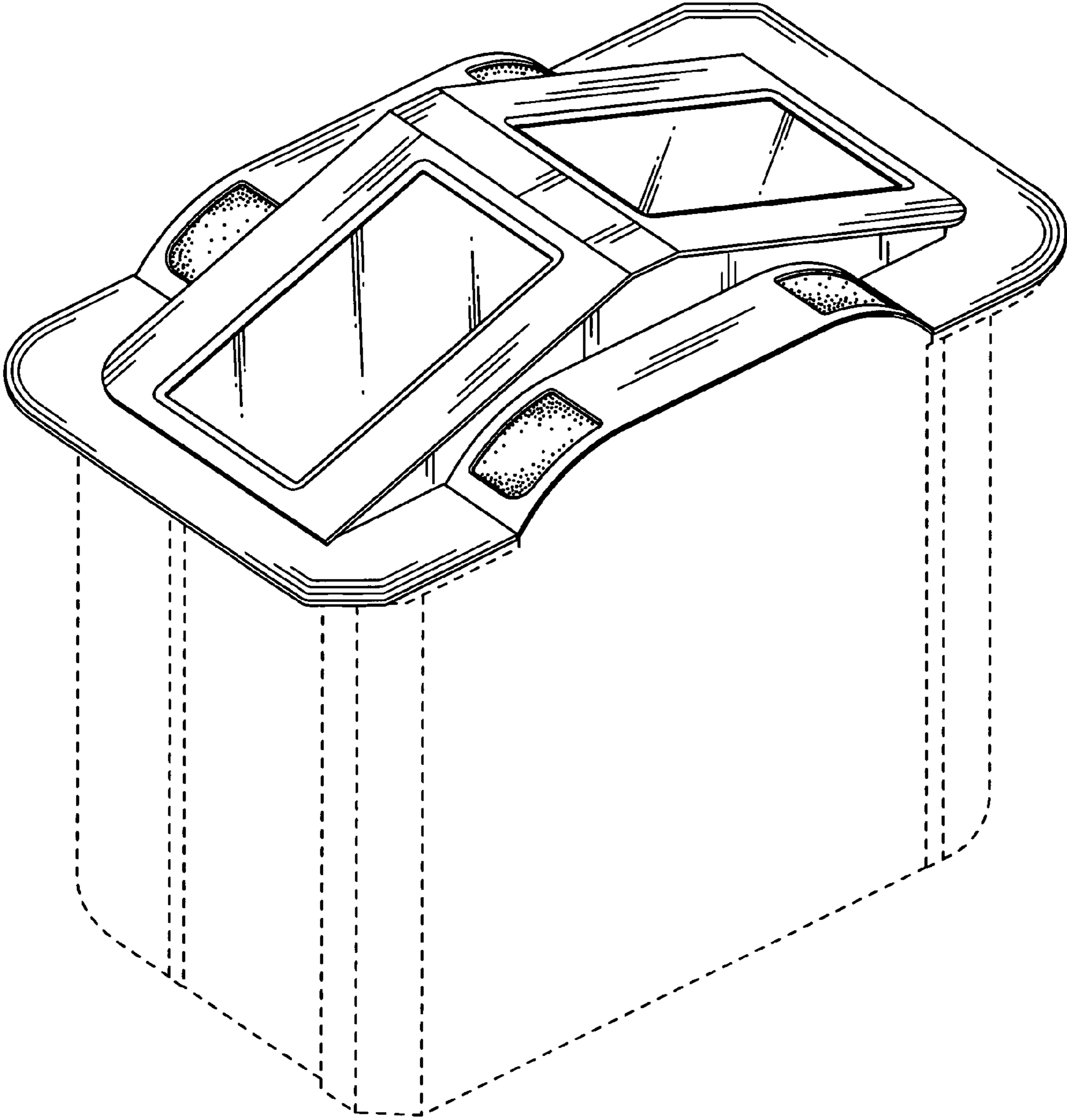


FIG. 1

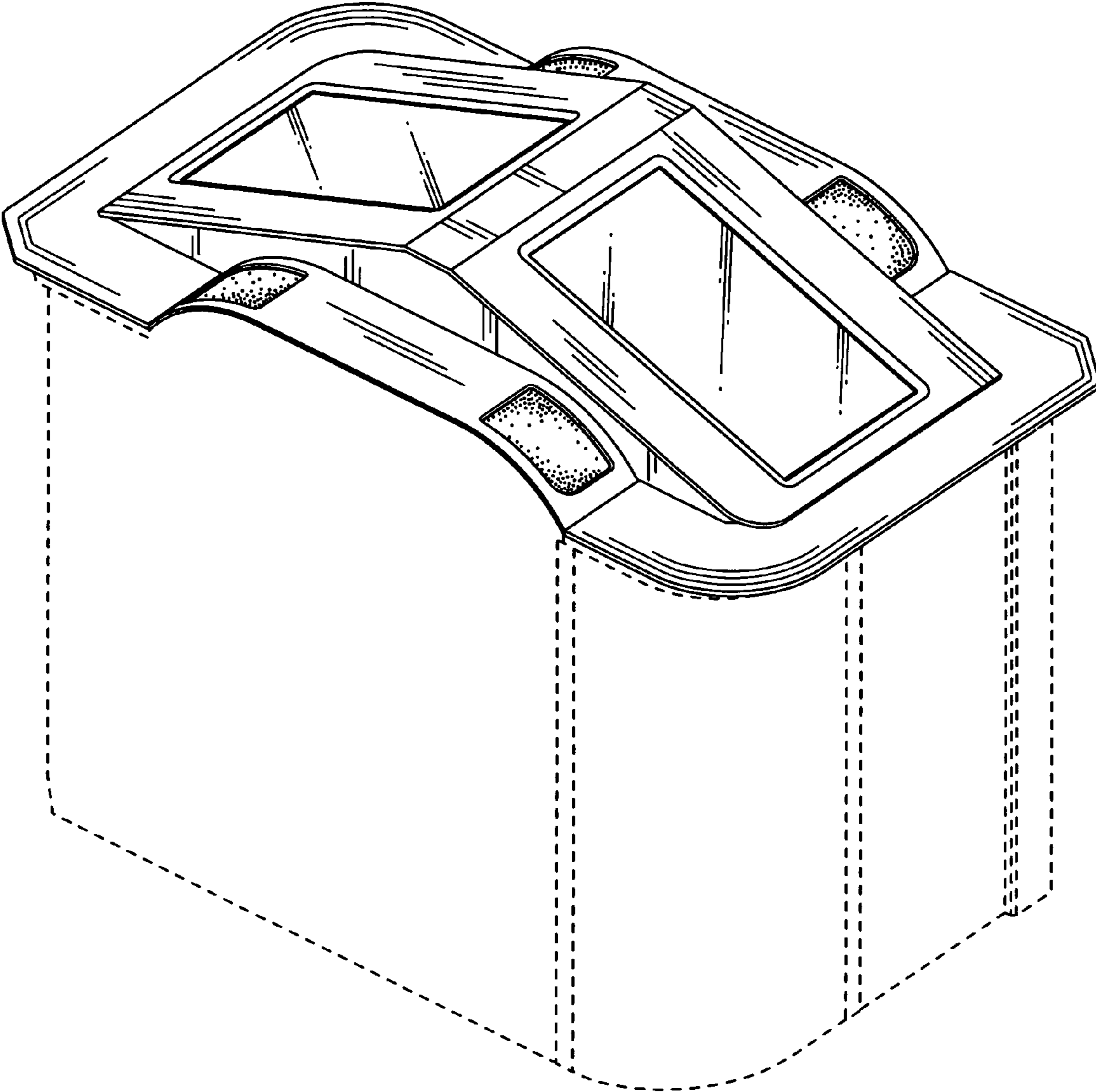


FIG.2

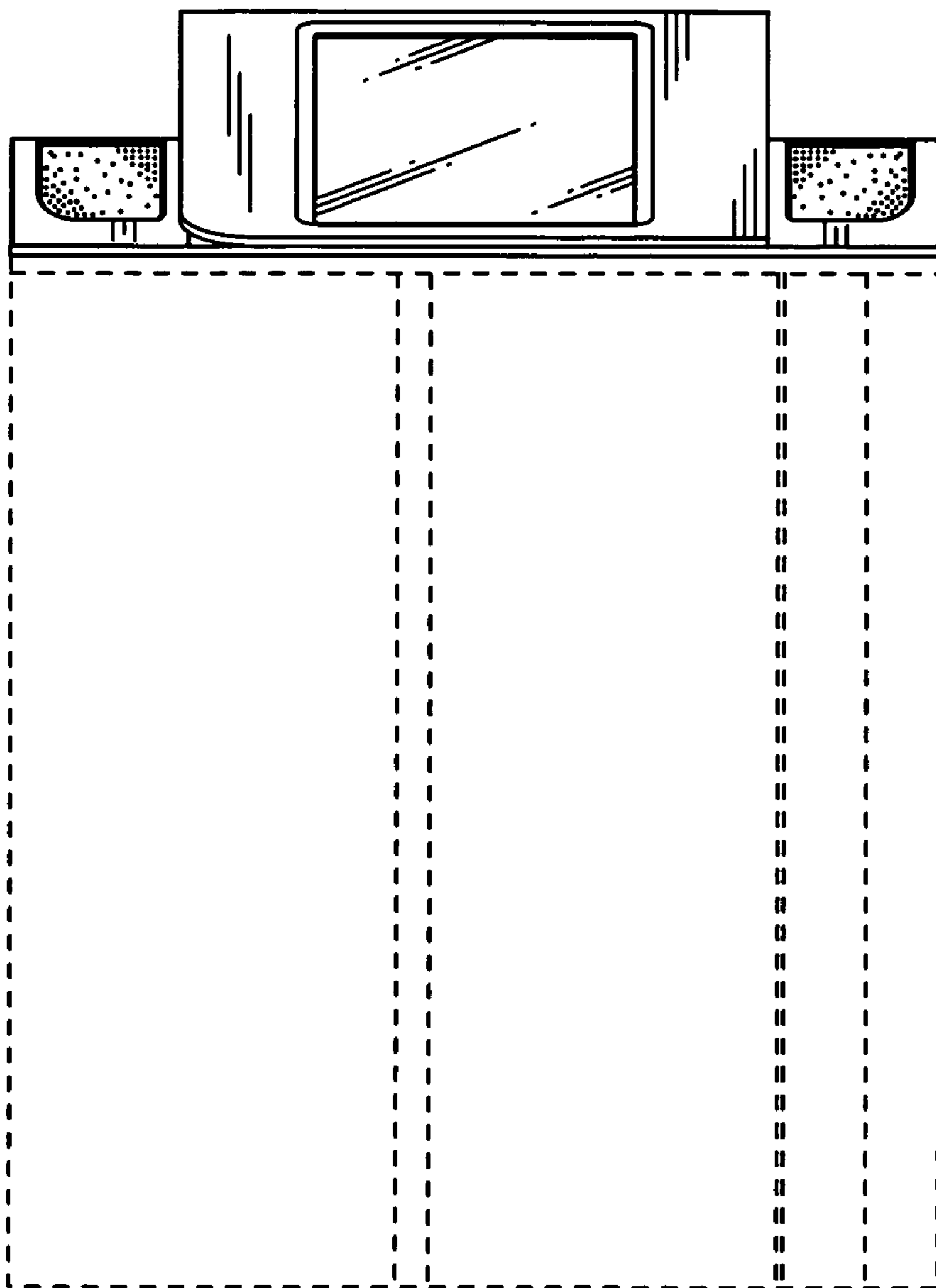


FIG.3

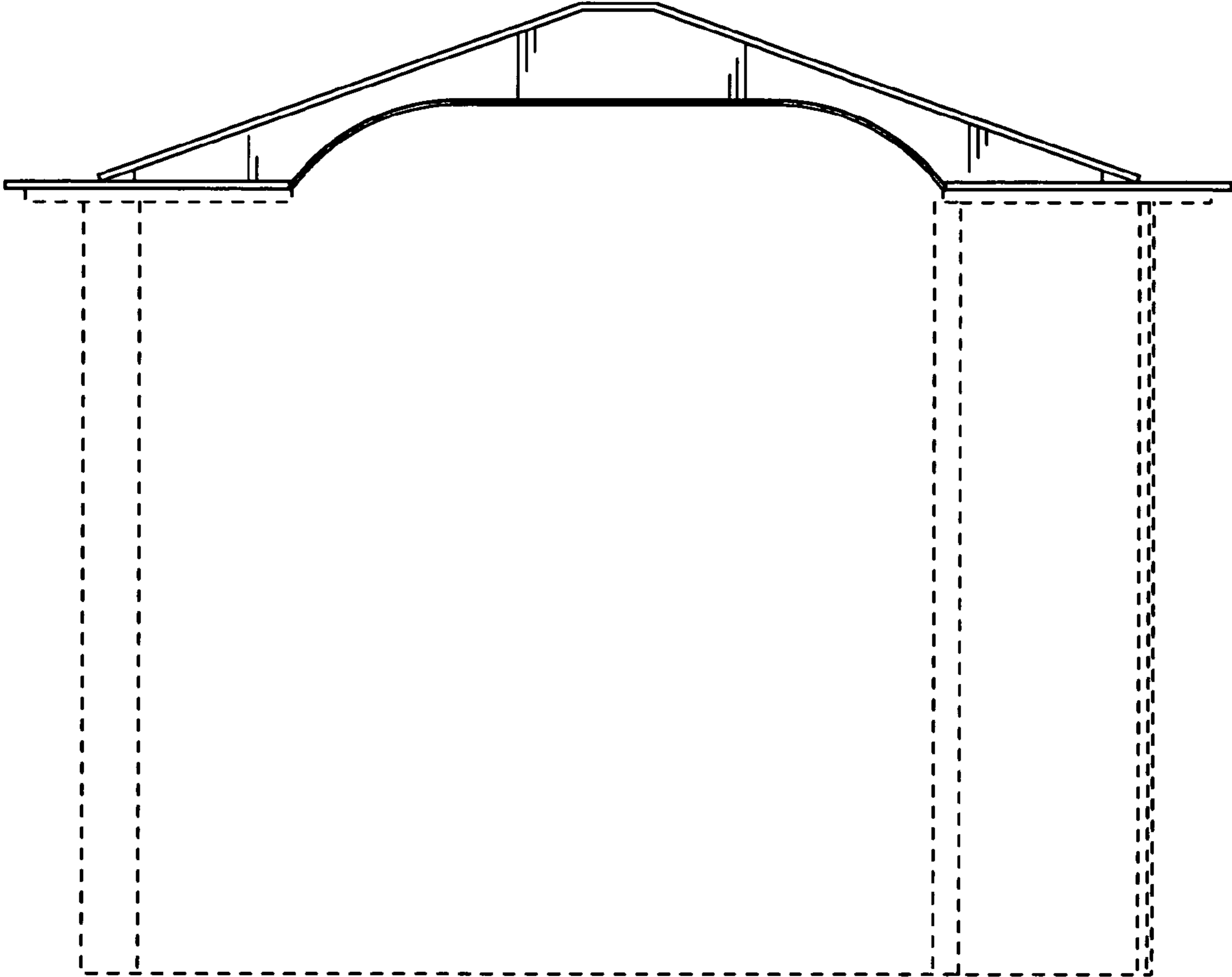


FIG.4

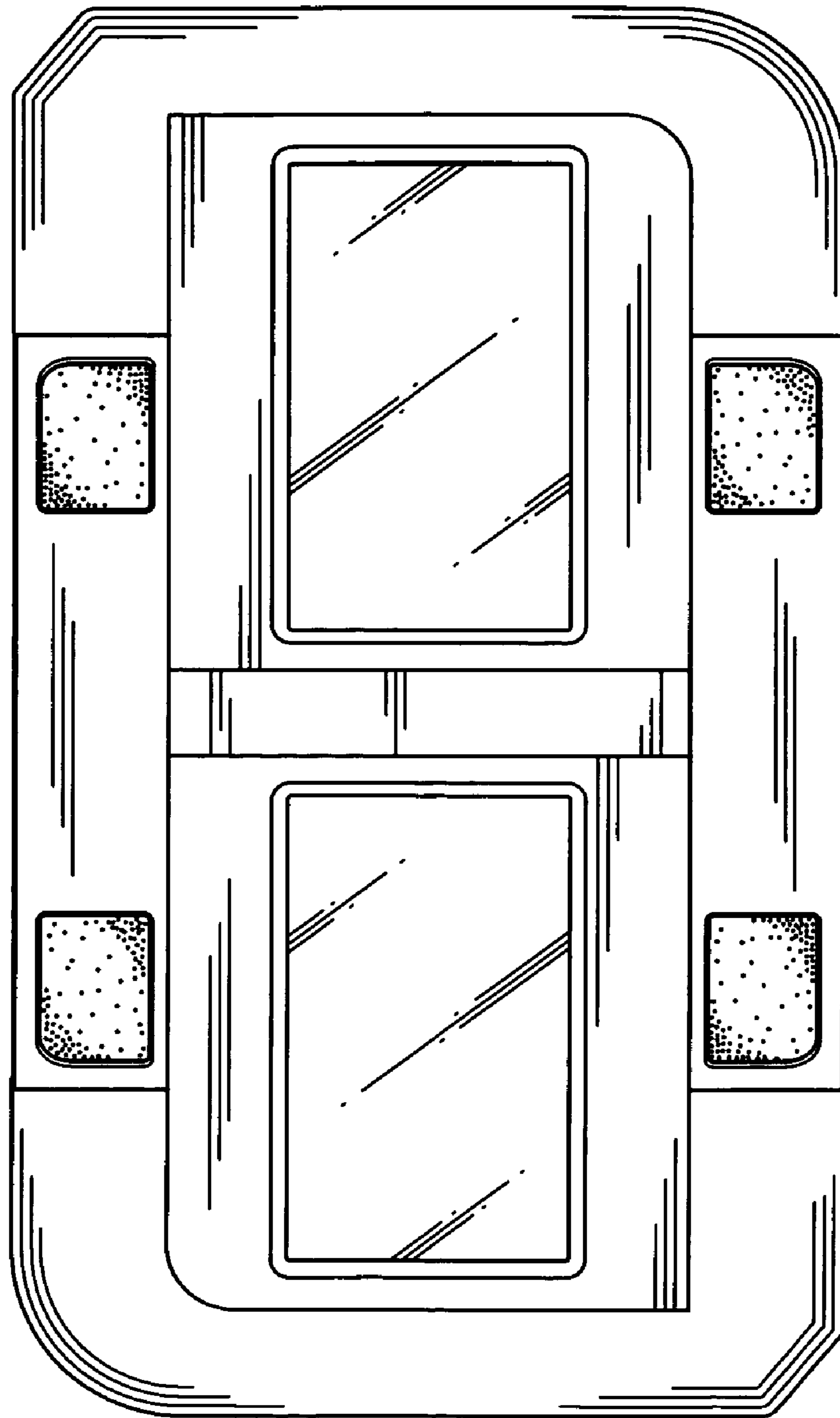


FIG.5