



US00D641046S

(12) **United States Design Patent**
Swanson

(10) **Patent No.:** **US D641,046 S**

(45) **Date of Patent:** **** Jul. 5, 2011**

(54) **SURFACE LABEL**

(75) **Inventor:** **Ian Swanson**, Singapore (SG)

(73) **Assignee:** **The Procter & Gamble Company**,
Cincinnati, OH (US)

(**) **Term:** **14 Years**

(21) **Appl. No.:** **29/360,993**

(22) **Filed:** **May 4, 2010**

Related U.S. Application Data

(62) Division of application No. 29/314,796, filed on Apr. 30, 2009, now Pat. No. Des. 617,650.

(51) **LOC (9) Cl.** **19-08**

(52) **U.S. Cl.** **D20/23; D20/27; D9/667**

(58) **Field of Classification Search** D20/11,
D20/19, 22-23, 27, 40; D9/500-501, 516-517,
D9/667; 40/299.01, 306, 310-311; 283/56,
283/81

See application file for complete search history.

(56) **References Cited**

U.S. PATENT DOCUMENTS

3,078,017	A	2/1963	Karlheinz et al.	
3,093,255	A	6/1963	Ammondson et al.	
3,260,412	A	7/1966	Larkin	
D224,646	S	8/1972	Voliquartz	
D226,260	S	2/1973	Hanamura	
D230,570	S	3/1974	Hall	
D237,942	S	12/1975	Welker, III	
D248,732	S	8/1978	Vollmer	
D262,094	S	12/1981	Tiboldo	
4,402,556	A	9/1983	Schwind	
D281,055	S	10/1985	Dombroski	
D311,423	S *	10/1990	DeSantis	D20/22
D312,405	S	11/1990	Kenyon	
D312,768	S	12/1990	Eastman	
D324,806	S	3/1992	Van Arman	
D374,615	S	10/1996	Kani	
D378,492	S	3/1997	Salle	

D412,107	S	7/1999	Bosshardt	
D435,647	S	12/2000	Shah	
D454,780	S	3/2002	Leboeuf et al.	
D474,961	S	5/2003	Haruta	
6,604,979	B1	8/2003	Liu	
D482,794	S	11/2003	Whitley	
D491,066	S	6/2004	LeGoff	
D541,158	S	4/2007	Hermann	
D550,571	S *	9/2007	Diaz	D9/719
D552,485	S	10/2007	Grabiner	
D553,254	S	10/2007	Colin	
D559,703	S	1/2008	Egawa	
D561,046	S	2/2008	Kerman	
D569,727	S	5/2008	Moretti	
D570,708	S	6/2008	Kerman	
D576,047	S	9/2008	Reihle	
D577,289	S	9/2008	Moretti	
D581,271	S	11/2008	Laupie	
D613,183	S	4/2010	Overgaard	
D617,650	S *	6/2010	Swanson	D9/667
D621,283	S	8/2010	Overgaard	

* cited by examiner

Primary Examiner — Ian Simmons

Assistant Examiner — Dana L Sipos

(74) *Attorney, Agent, or Firm* — Linda M. Sivik

(57) **CLAIM**

The ornamental design for a surface label, as shown and described.

DESCRIPTION

FIG. 1 is a top, front perspective view of a surface label, showing our new design;

FIG. 2 is a front elevation view thereof;

FIG. 3 is a rear elevation view thereof;

FIG. 4 is a left side elevation view thereof;

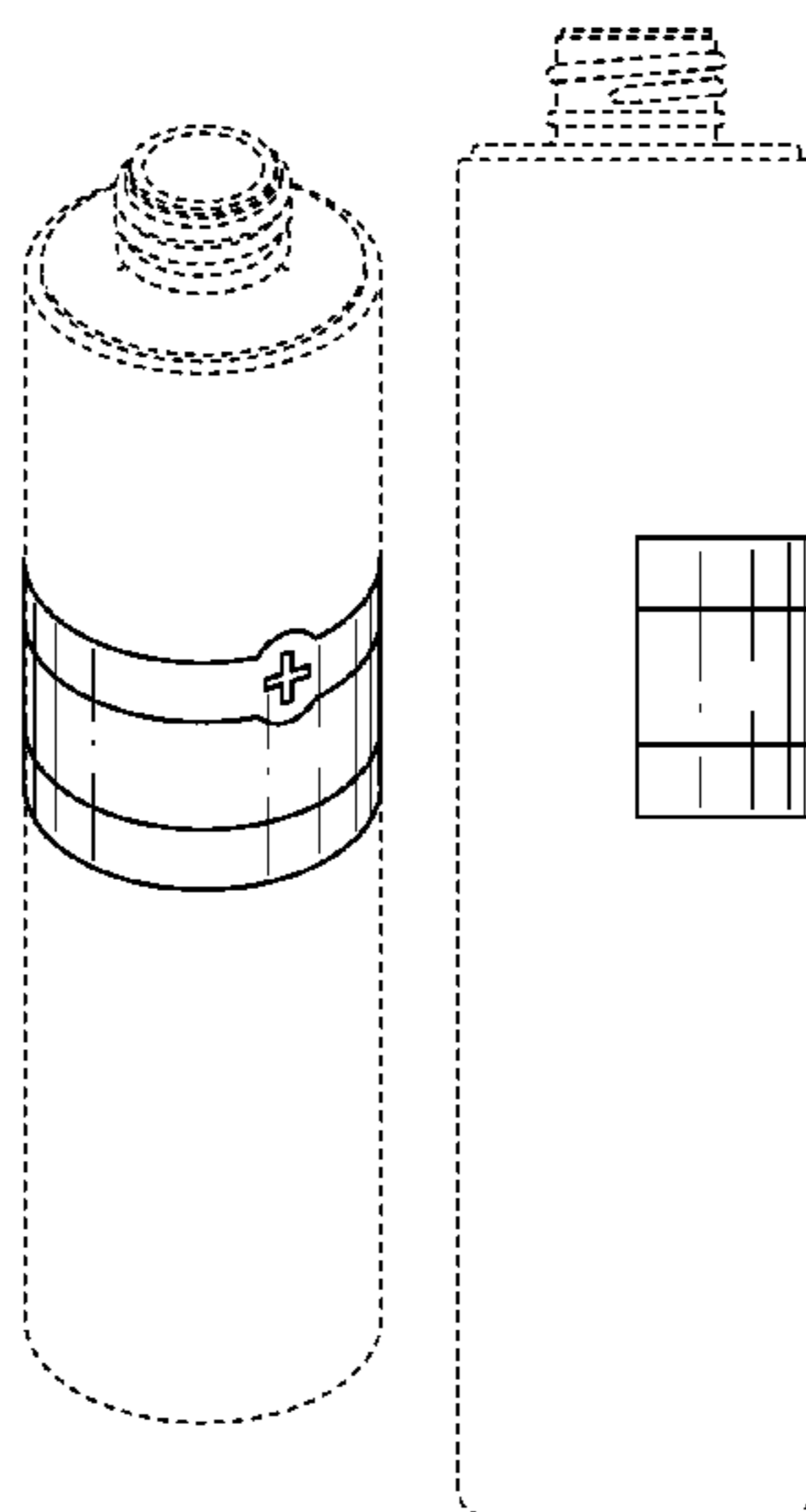
FIG. 5 is a right side elevation view thereof;

FIG. 6 is a top plan view thereof; and,

FIG. 7 is a bottom view thereof.

The broken lines shown in the drawings are for illustrative purposes only and form no part of the claimed design.

1 Claim, 4 Drawing Sheets



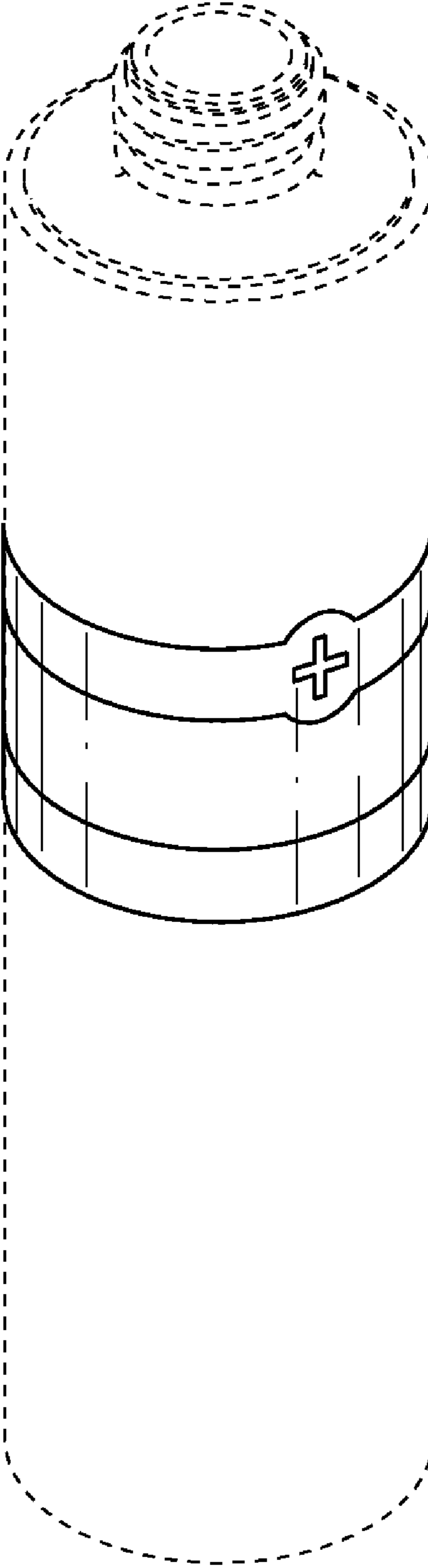


Fig. 1

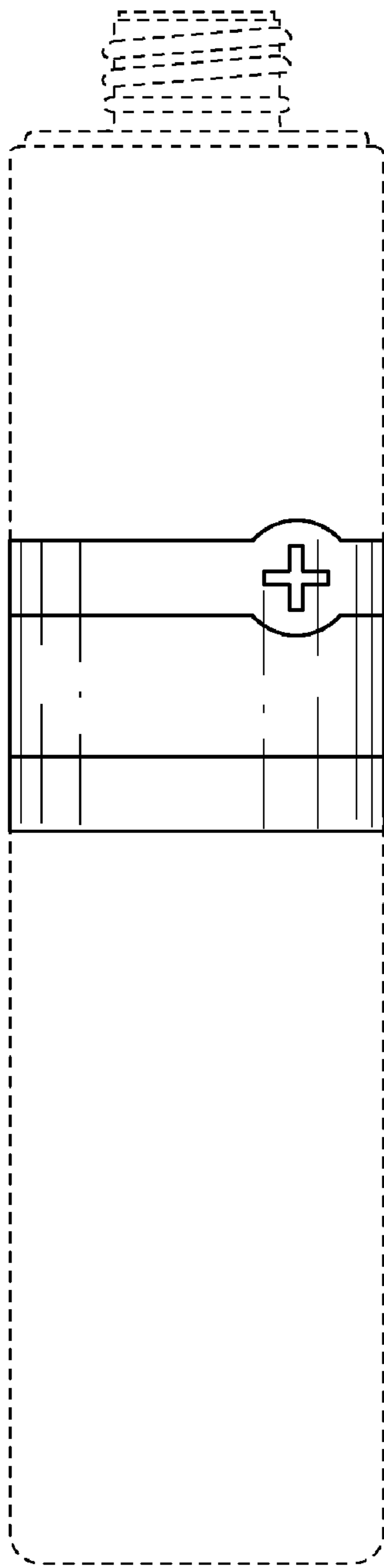


Fig. 2

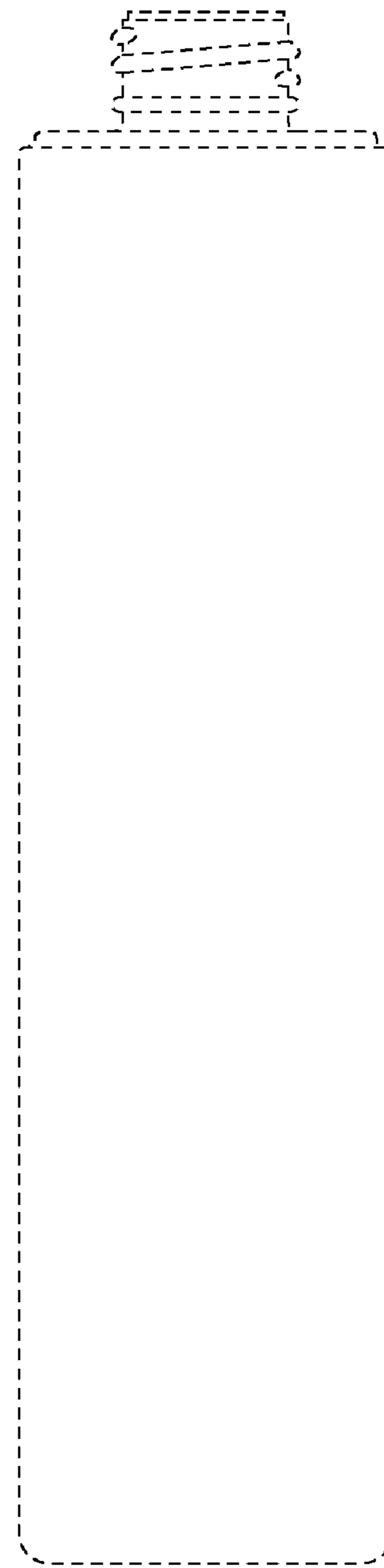


Fig. 3

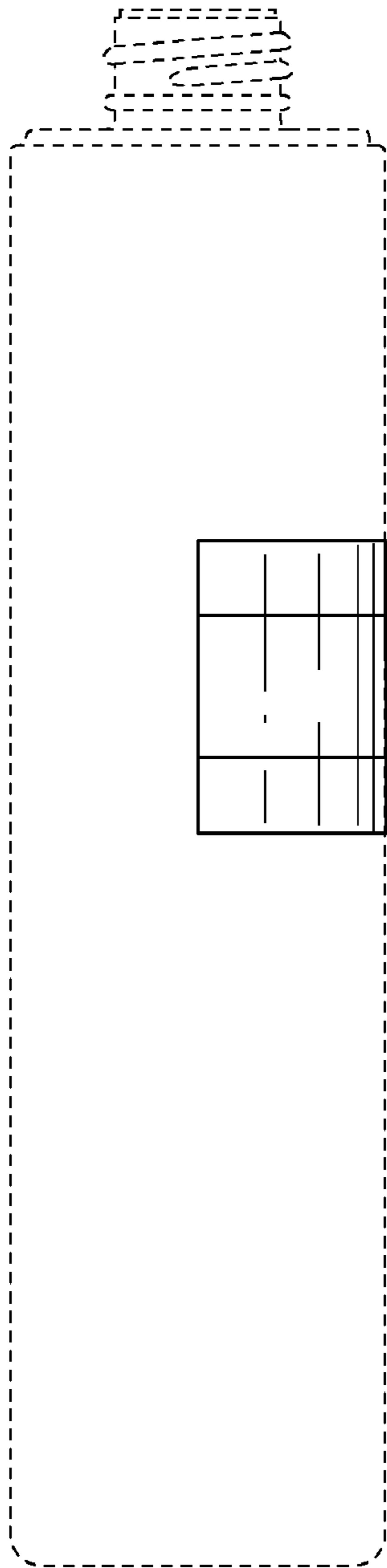


Fig. 4

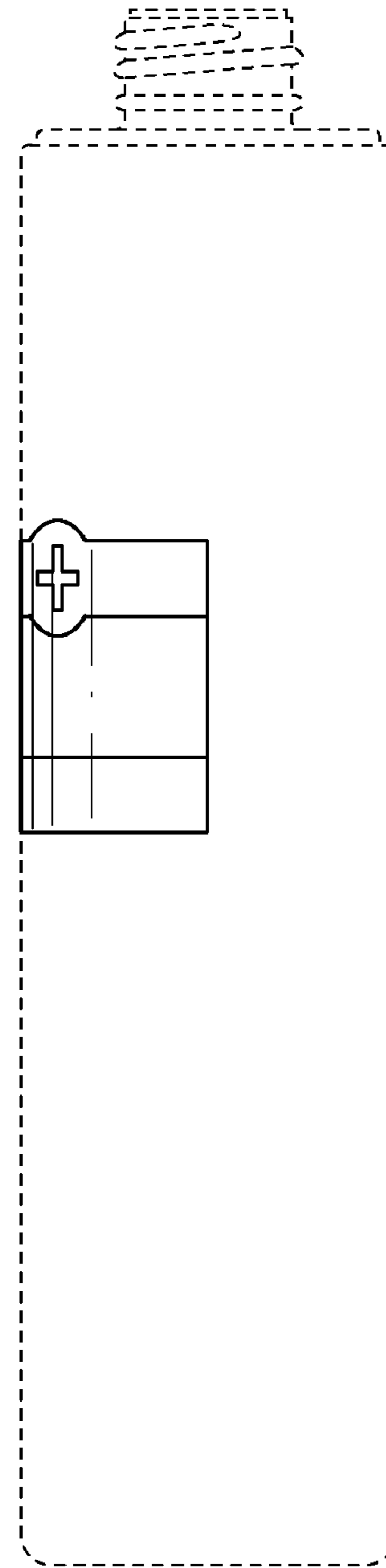


Fig. 5

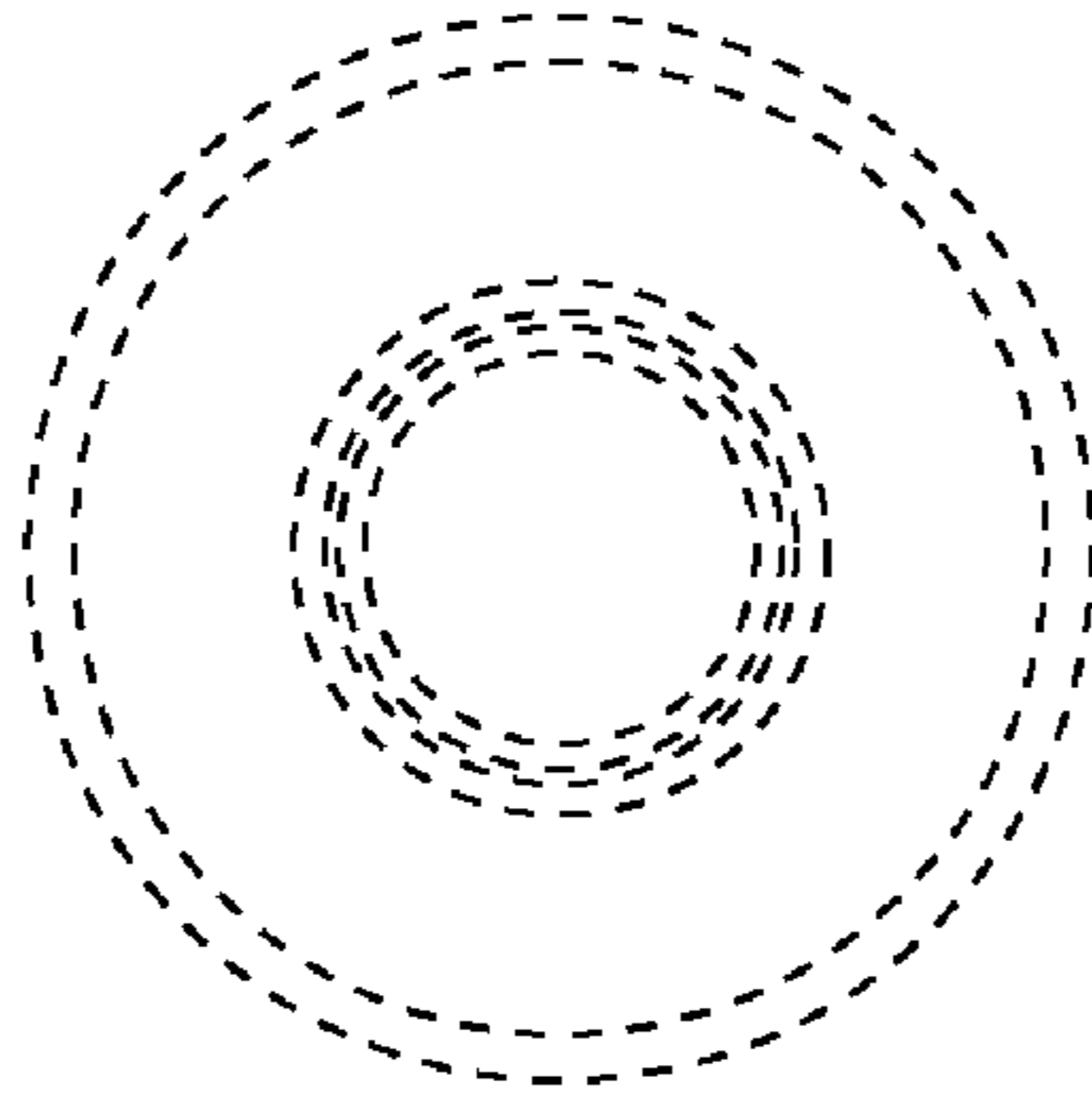


Fig. 6

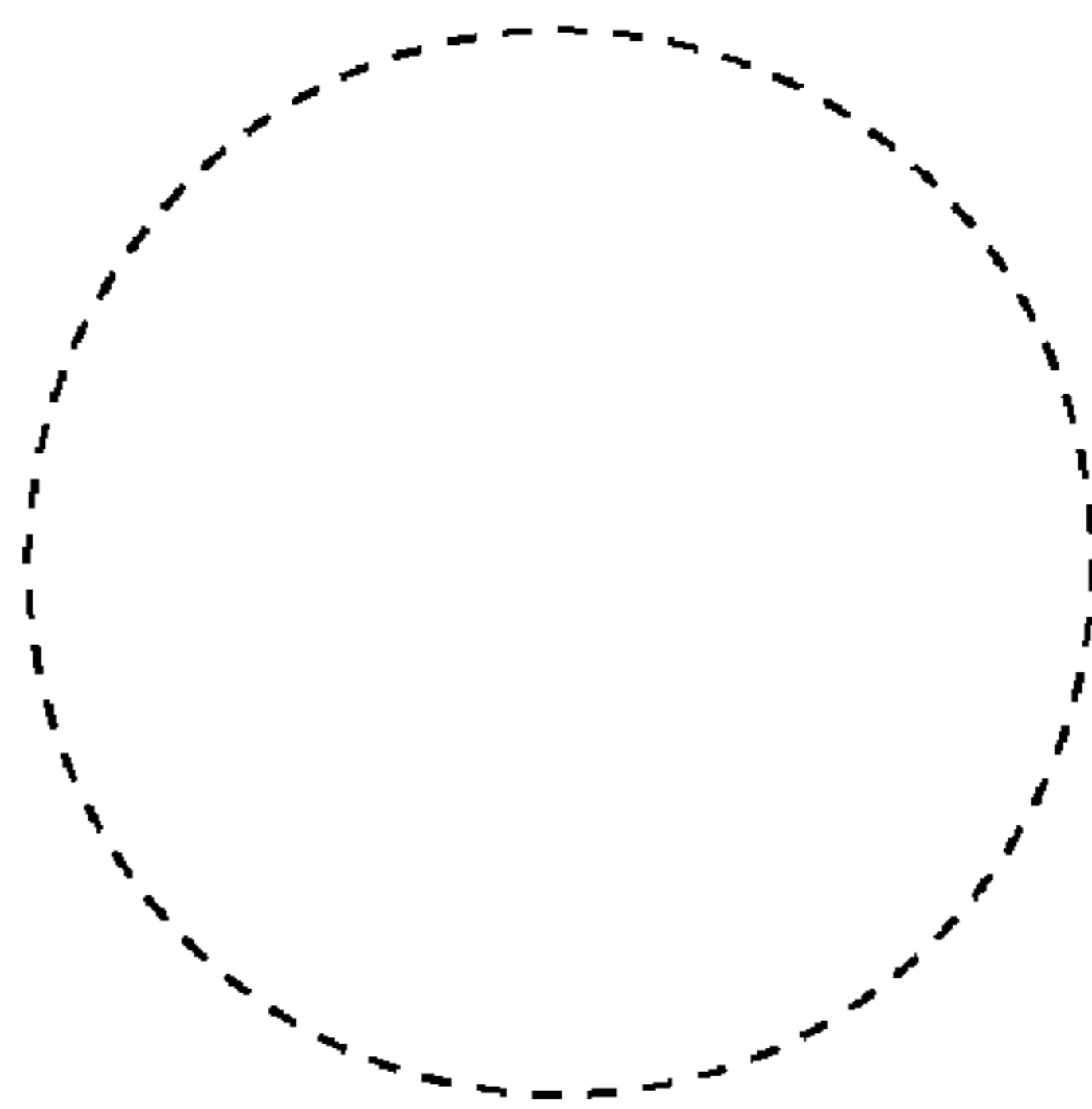


Fig. 7