



US00D641045S

(12) **United States Design Patent**  
**Jour**

(10) **Patent No.:** **US D641,045 S**

(45) **Date of Patent:** **\*\* Jul. 5, 2011**

(54) **NOTEPAPER DISPENSER**

(76) **Inventor:** **David C. T. Jour**, Taipei (TW)

(\*\*) **Term:** **14 Years**

(21) **Appl. No.:** **29/375,067**

(22) **Filed:** **Sep. 16, 2010**

(51) **LOC (9) Cl.** ..... **19-02**

(52) **U.S. Cl.** ..... **D19/86**

(58) **Field of Classification Search** ..... D6/515,  
D6/518, 519; D9/734; D19/65, 75, 78, 86-92;  
206/39.5, 215, 233, 494, 555; 221/45, 46,  
221/48, 52, 56, 59, 61, 63

See application file for complete search history.

D564,583 S \* 3/2008 Windorski ..... D19/36  
D564,584 S \* 3/2008 Windorski et al. .... D19/36  
D564,812 S \* 3/2008 Tomic et al. .... D6/518  
D570,142 S \* 6/2008 Lin ..... D6/515  
7,547,155 B2 \* 6/2009 Windorski ..... 401/195  
D612,886 S \* 3/2010 Newbould et al. .... D19/36  
D624,967 S \* 10/2010 Jour ..... D19/86

\* cited by examiner

*Primary Examiner* — Elizabeth Albert

(74) *Attorney, Agent, or Firm* — Alexander Chen, Esq.

(57) **CLAIM**

The ornamental design for a notepaper dispenser, as shown and described.

**DESCRIPTION**

FIG. 1 is a front view of a notepaper dispenser showing my new design;

FIG. 2 is a rear view thereof;

FIG. 3 is a left side view thereof;

FIG. 4 is a right side view thereof;

FIG. 5 is a top plan view thereof;

FIG. 6 is a bottom plan view thereof; and,

FIG. 7 is a perspective view thereof.

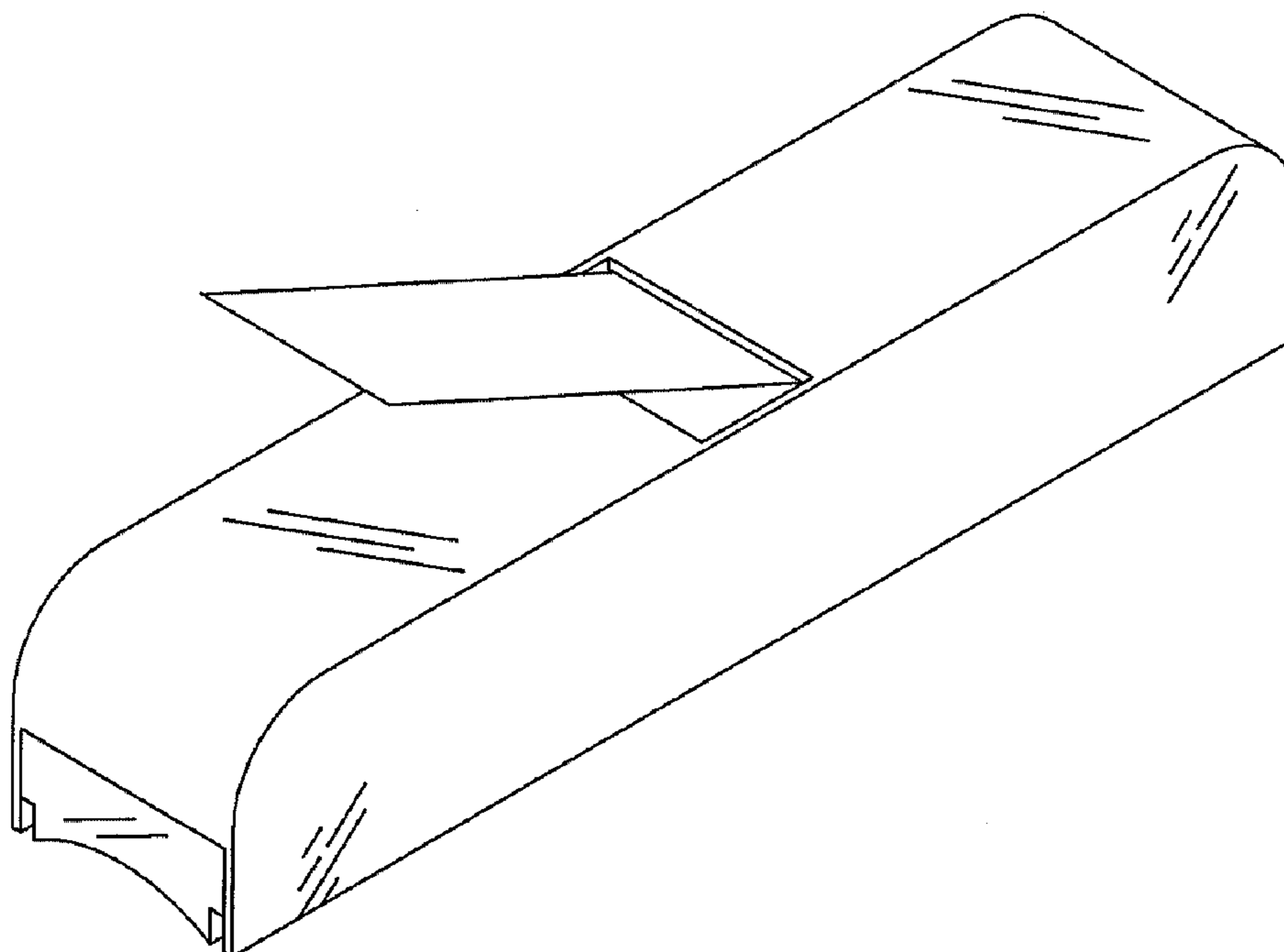
The broken lines showing features and surfaces on the bottom in FIG. 6 are included for the purpose of showing portions that form no part of the claimed design.

**1 Claim, 4 Drawing Sheets**

(56) **References Cited**

**U.S. PATENT DOCUMENTS**

D120,743 S \* 5/1940 Petzold ..... D19/89  
2,464,426 A \* 3/1949 Williams ..... 221/58  
D198,936 S \* 8/1964 Leotta ..... D6/518  
4,770,320 A \* 9/1988 Miles et al. .... 221/33  
D306,462 S \* 3/1990 Miles et al. .... D19/86  
D331,075 S \* 11/1992 Dotterman et al. .... D19/86  
D379,569 S \* 6/1997 Strickland et al. .... D6/518  
D419,601 S \* 1/2000 Windorski ..... D19/86  
D428,926 S \* 8/2000 Windorski ..... D19/86  
D482,915 S \* 12/2003 Yang et al. .... D6/515  
6,915,923 B1 \* 7/2005 Magid ..... 221/56  
D564,023 S \* 3/2008 Windorski ..... D19/36  
D564,582 S \* 3/2008 Windorski ..... D19/36



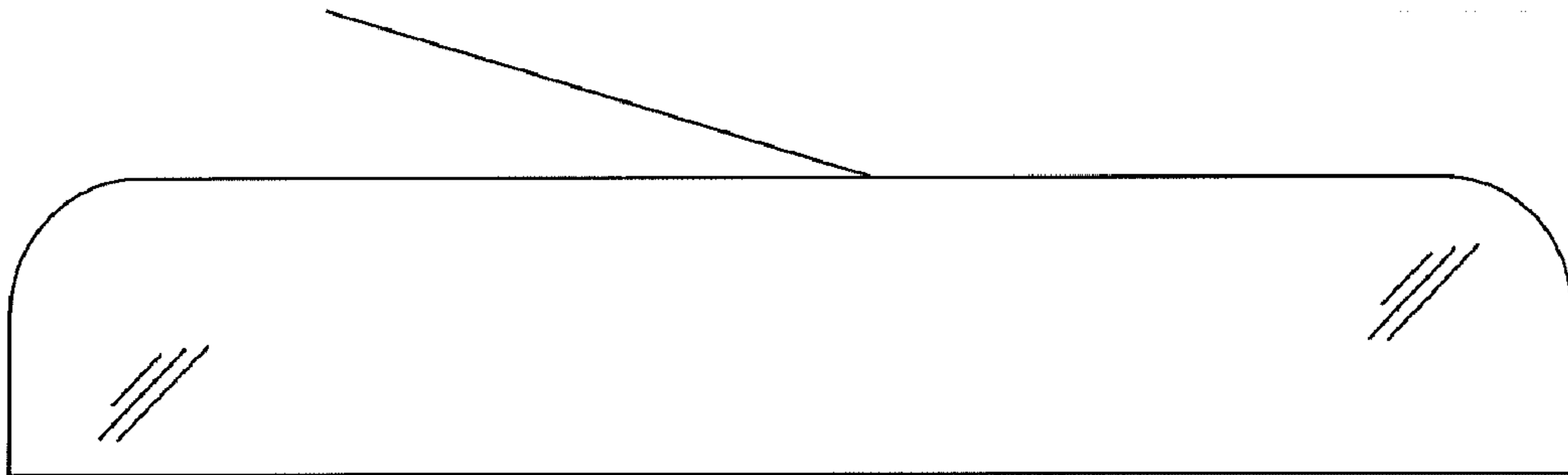


Fig. 1

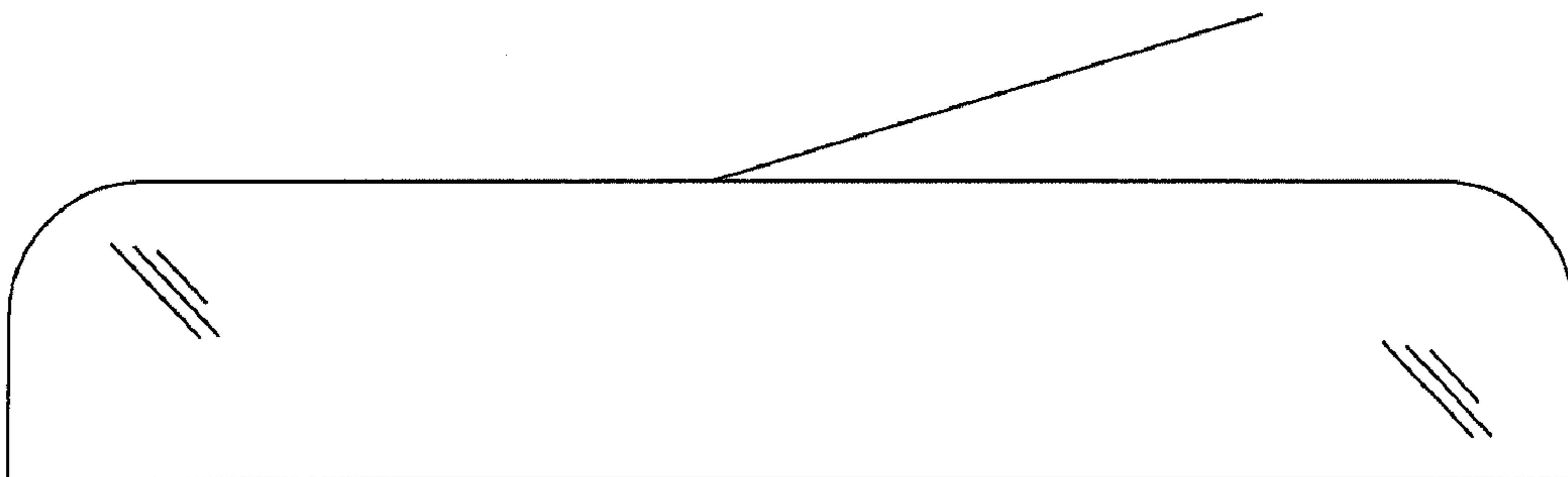


Fig. 2

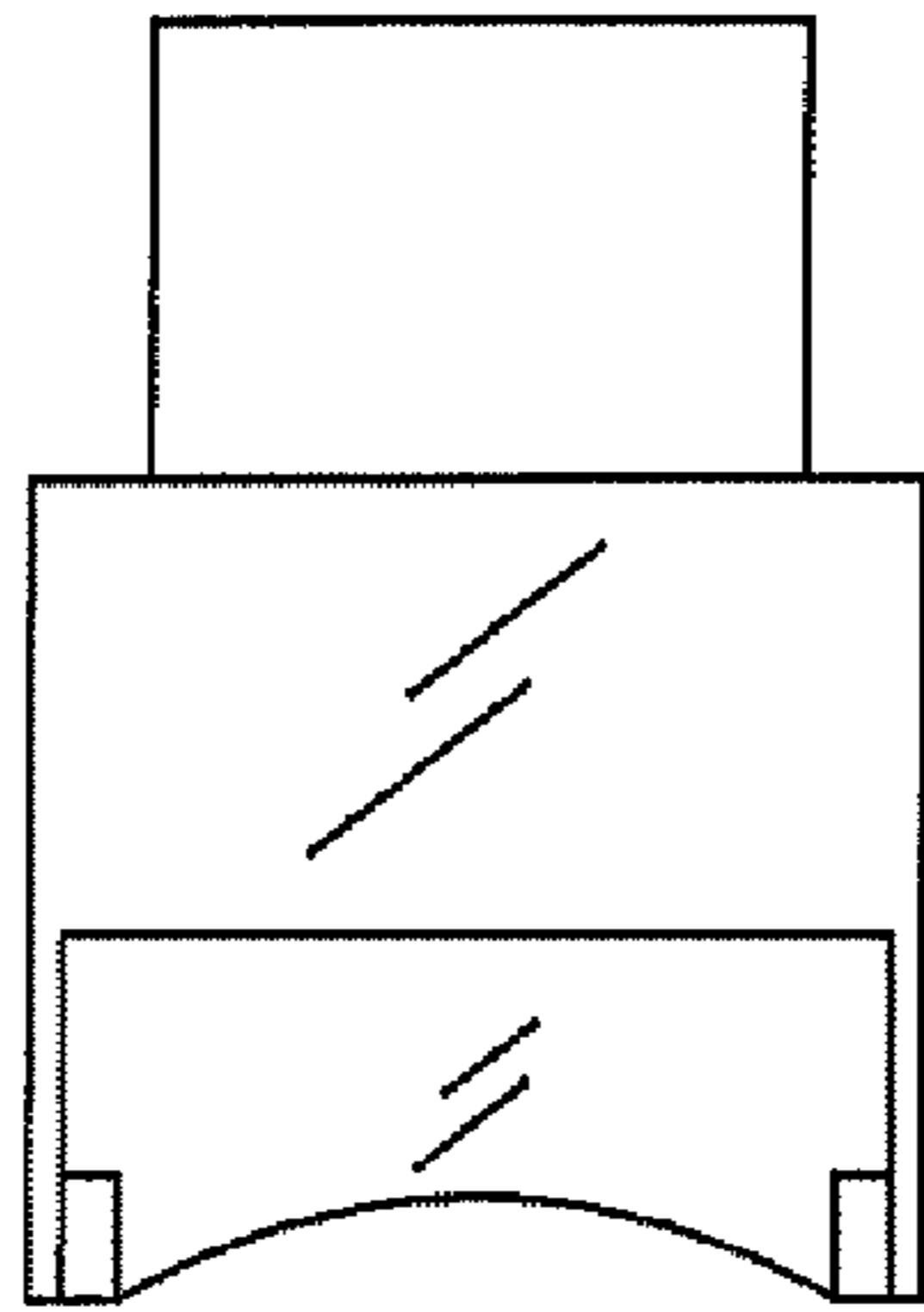


Fig. 3

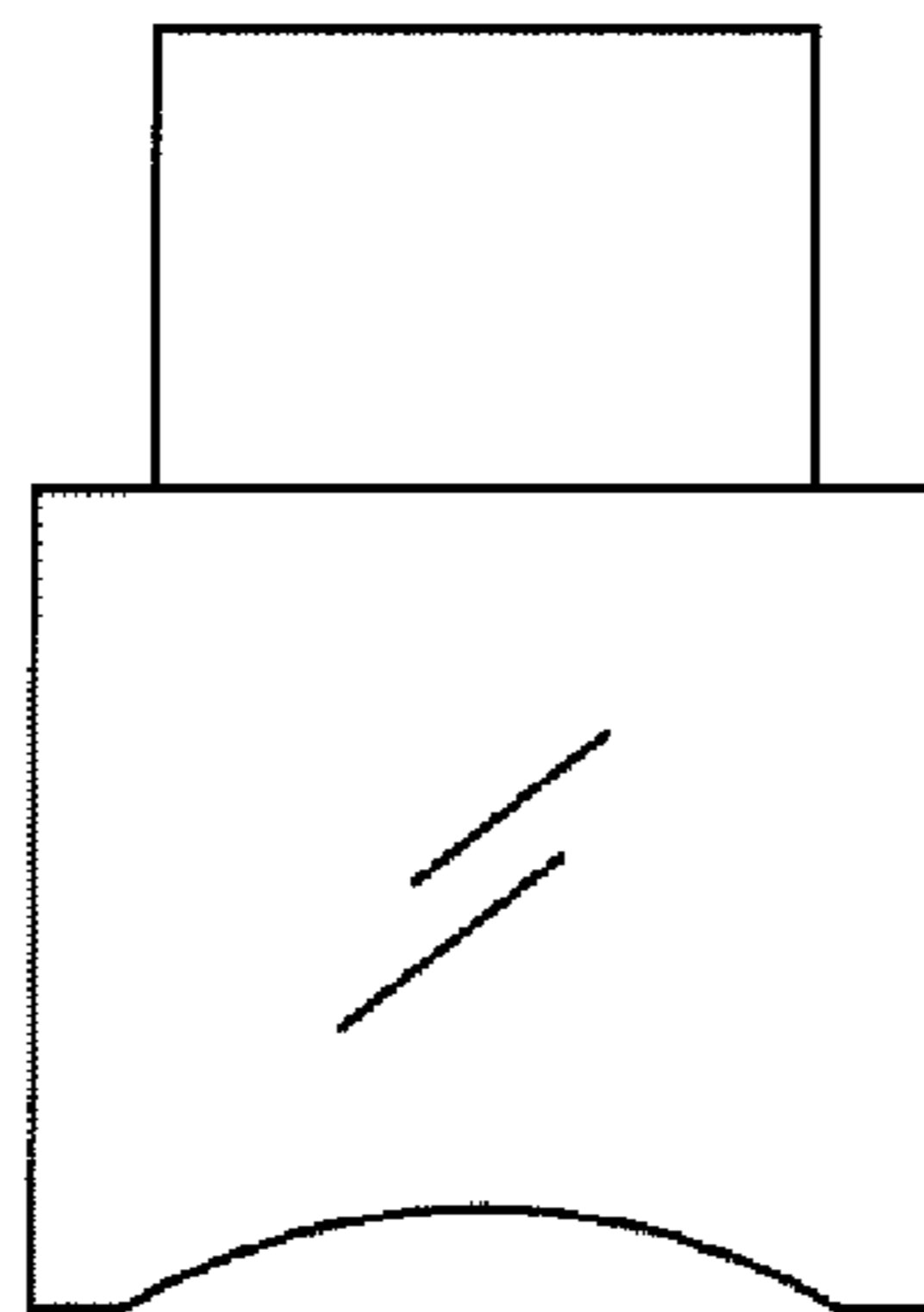


Fig. 4

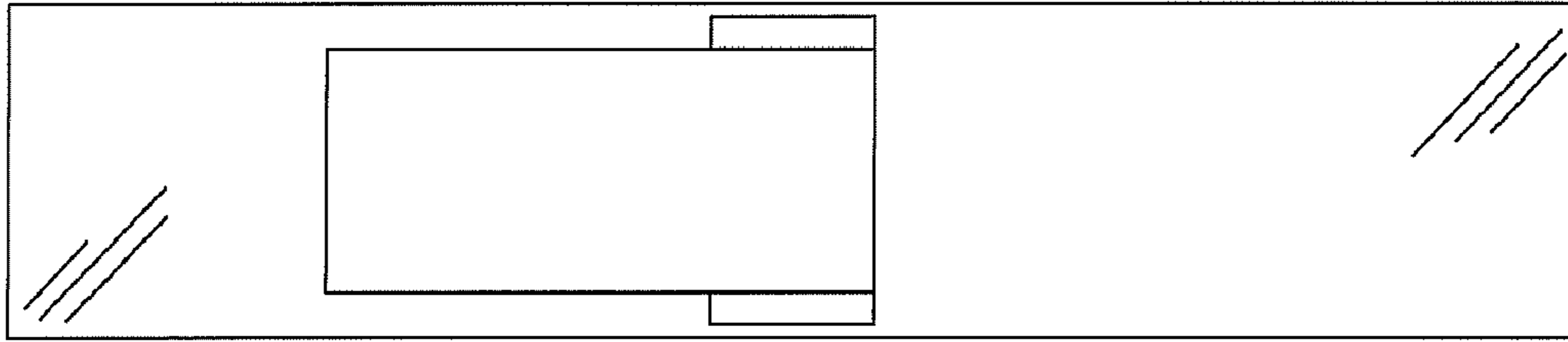


Fig. 5

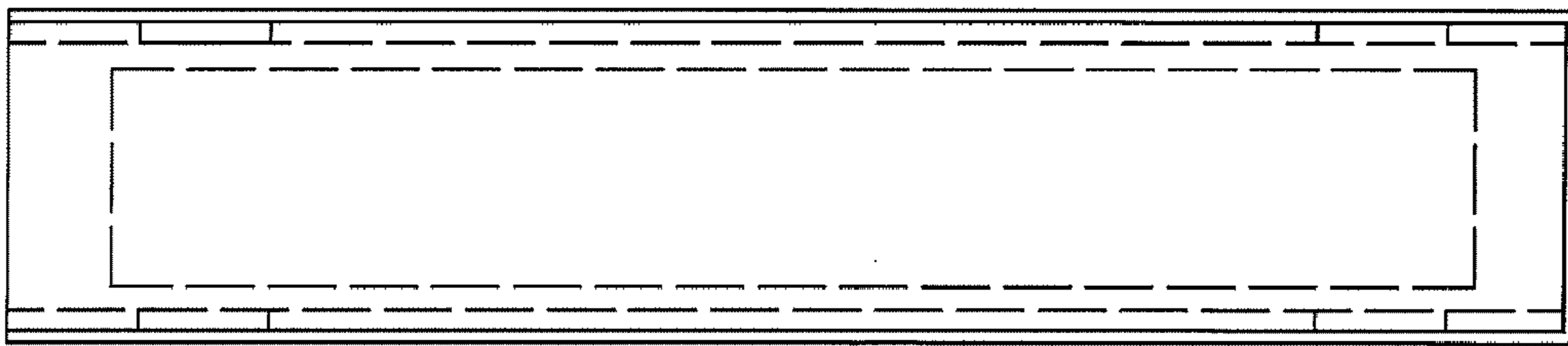


Fig. 6

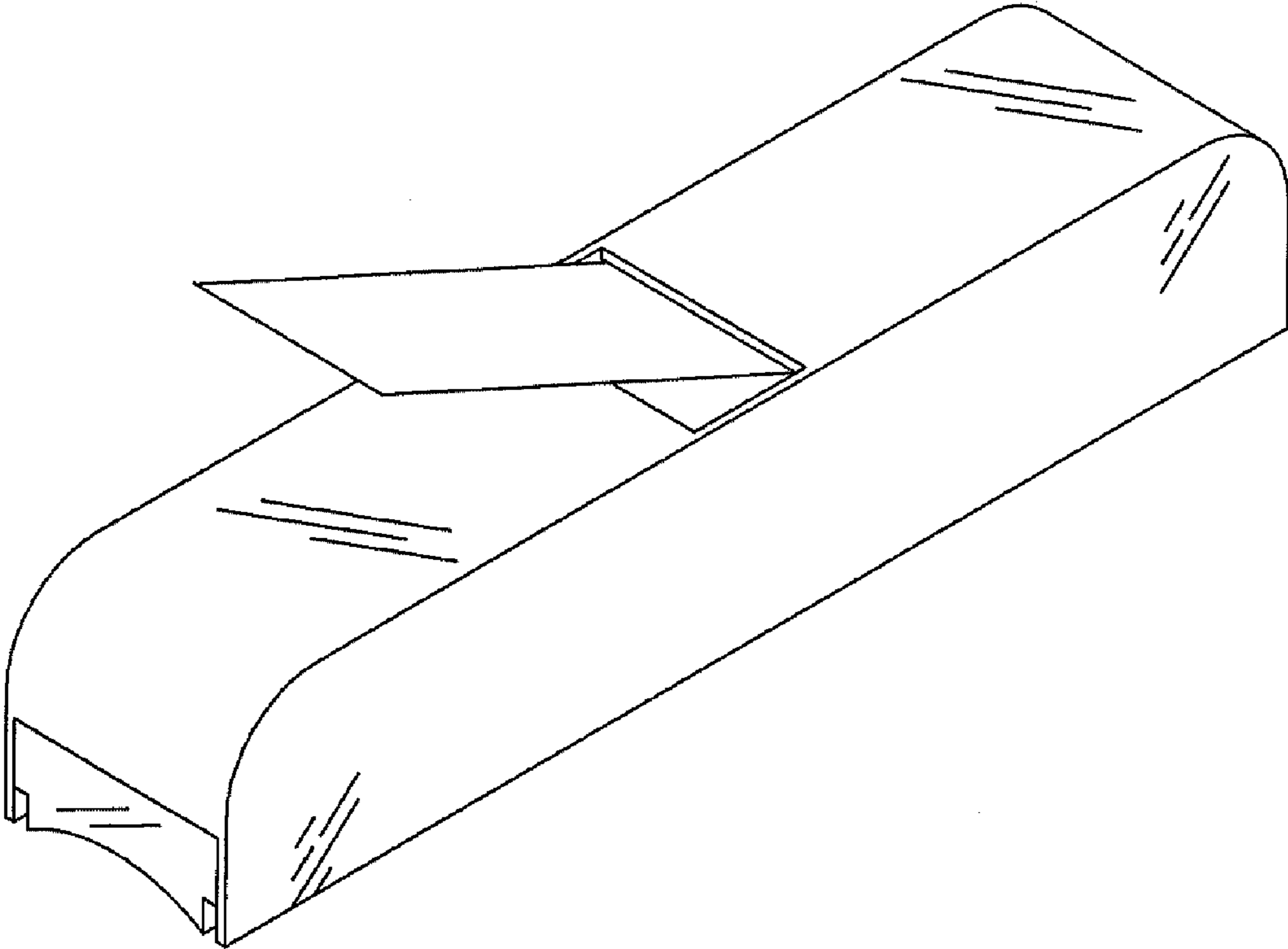


Fig. 7