



US00D641044S

(12) **United States Design Patent**
Rubio et al.

(10) **Patent No.:** **US D641,044 S**

(45) **Date of Patent:** **** Jul. 5, 2011**

(54) **ERASER AND MARKER HOLDER**

(76) Inventors: **Miguel Angel Silva Rubio**, Ciudad Satelite (MX); **Mauricio Enrique Ferrusca Ceja**, Gustavo A. Madero (MX)

(**) Term: **14 Years**

(21) Appl. No.: **29/339,394**

(22) Filed: **Jun. 30, 2009**

(51) **LOC (9) Cl.** **19-06**

(52) **U.S. Cl.** **D19/85**

(58) **Field of Classification Search** D6/466, D6/467, 468, 469, 552, 553, 571; D8/71, D8/373; D19/53, 54, 77-85; 15/424, 435; 206/214; 211/60.1, 69.1-69.9, 87.01, 89.01, 211/90.01, 90.04; 434/417

See application file for complete search history.

(56) **References Cited**

U.S. PATENT DOCUMENTS

1,889,146	A *	11/1932	Kalenoff	220/23.8
D121,421	S *	7/1940	Mayer	D6/467
3,107,467	A *	10/1963	Gates	53/254
4,182,455	A *	1/1980	Zurawin	211/85.18
D279,245	S *	6/1985	Wohlman	D6/467
4,875,591	A *	10/1989	Mikesell	211/69.1

5,346,078	A *	9/1994	Ernetoft	211/90.01
D408,656	S *	4/1999	Au	D6/468
D476,831	S *	7/2003	Fulmer	D6/467
D498,376	S *	11/2004	Christopher et al.	D6/511
D498,620	S *	11/2004	Christopher et al.	D6/511
D502,626	S *	3/2005	Georgiadis et al.	D6/629

OTHER PUBLICATIONS

Nobo Whiteboard User Kit Drywipe Eraser 6 Markers Assorted 2 Drywipers and Noboclene 100ml Ref 35931523, Product Ref: 18163X, EAN: 5028252139793, 3 pages, 2010, www.office365.co.uk.*

* cited by examiner

Primary Examiner — Elizabeth Albert

(57) **CLAIM**

The ornamental design for an eraser and marker holder, as shown and described.

DESCRIPTION

FIG. 1 shows a top view of the eraser and marker holder. FIG. 2 shows a bottom view of the eraser and marker holder. FIG. 3 shows a front view of the eraser and marker holder. FIG. 4 shows a back view of the eraser and marker holder. FIG. 5 shows a left side view of the eraser and marker holder. FIG. 6 shows a right side view of the eraser and marker holder; and, FIG. 7 shows a perspective view of the eraser and marker holder.

1 Claim, 6 Drawing Sheets

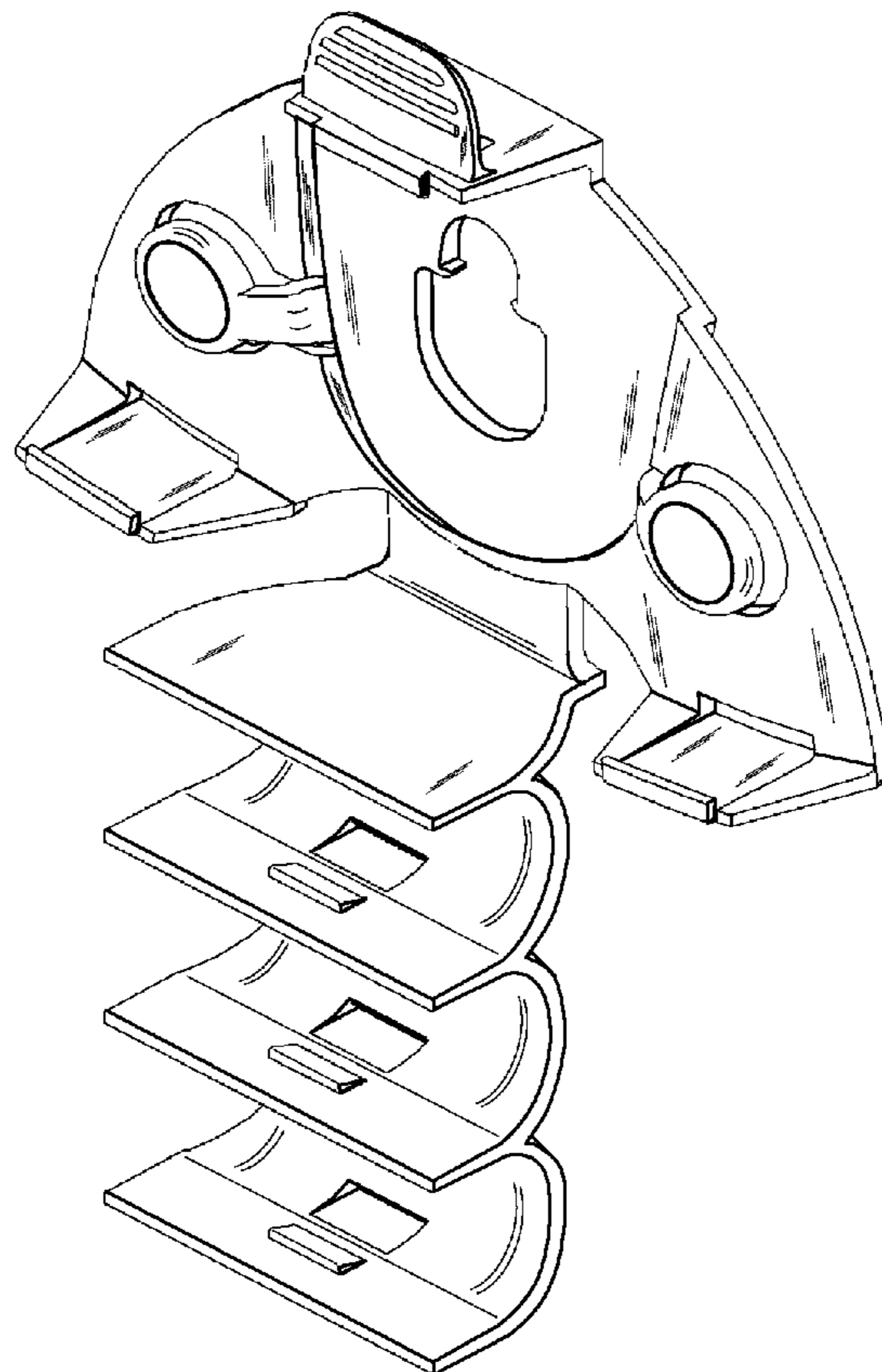


Figure 1

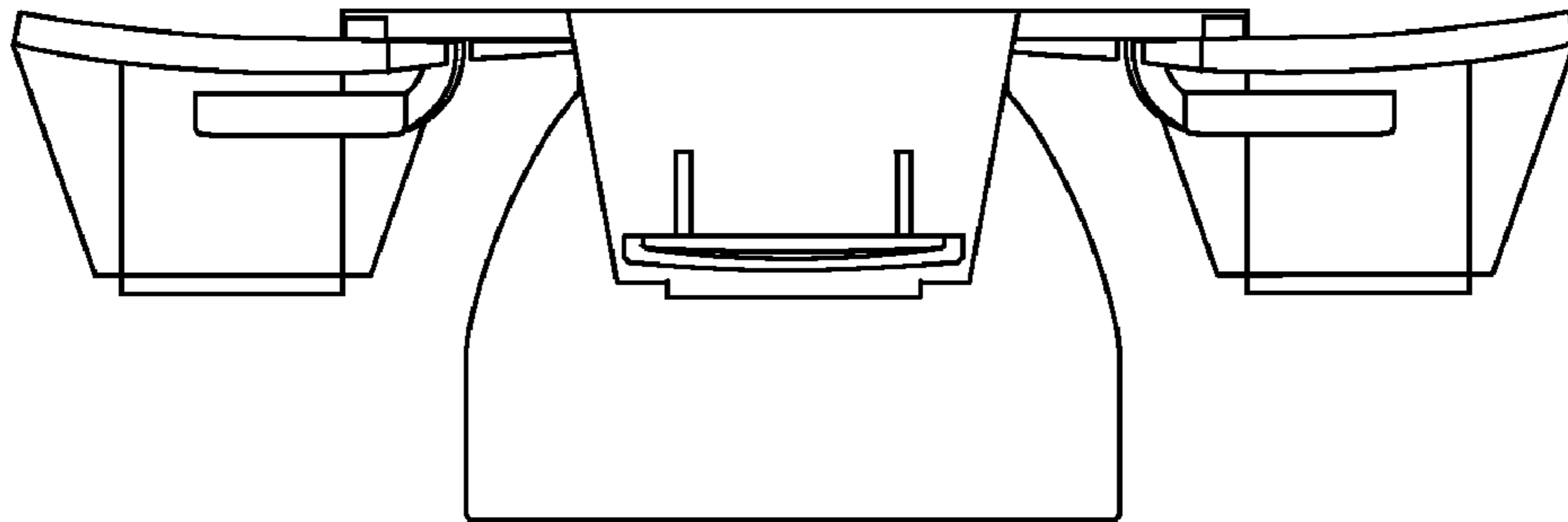


Figure 2

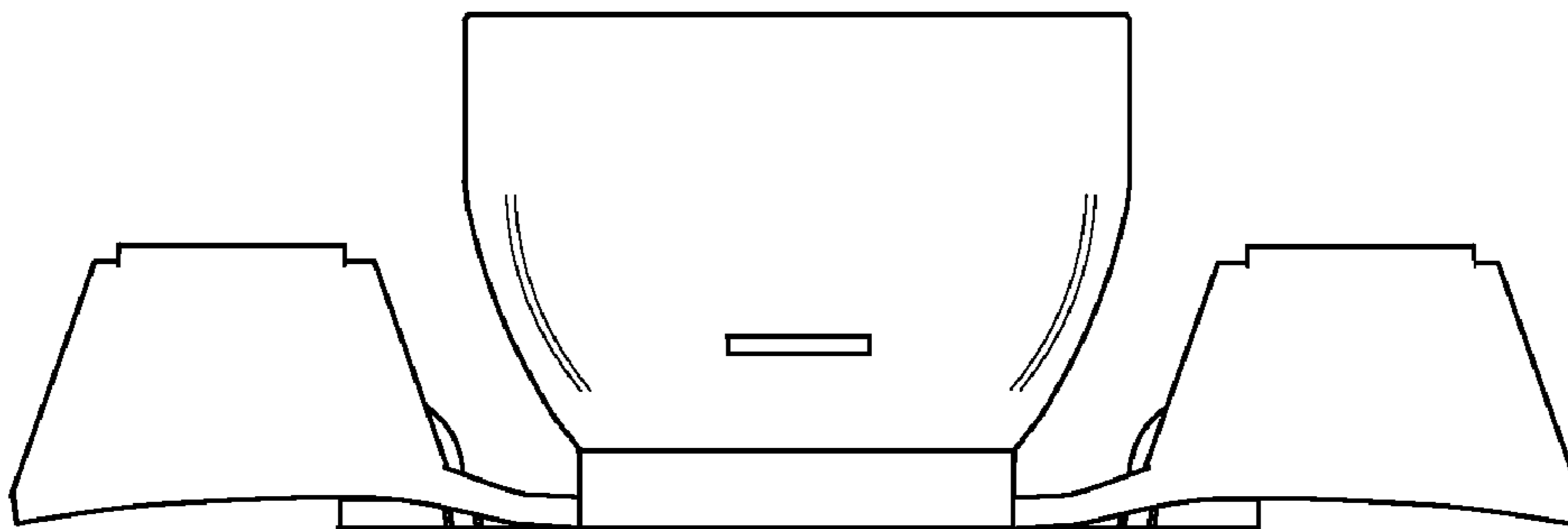


Figure 3

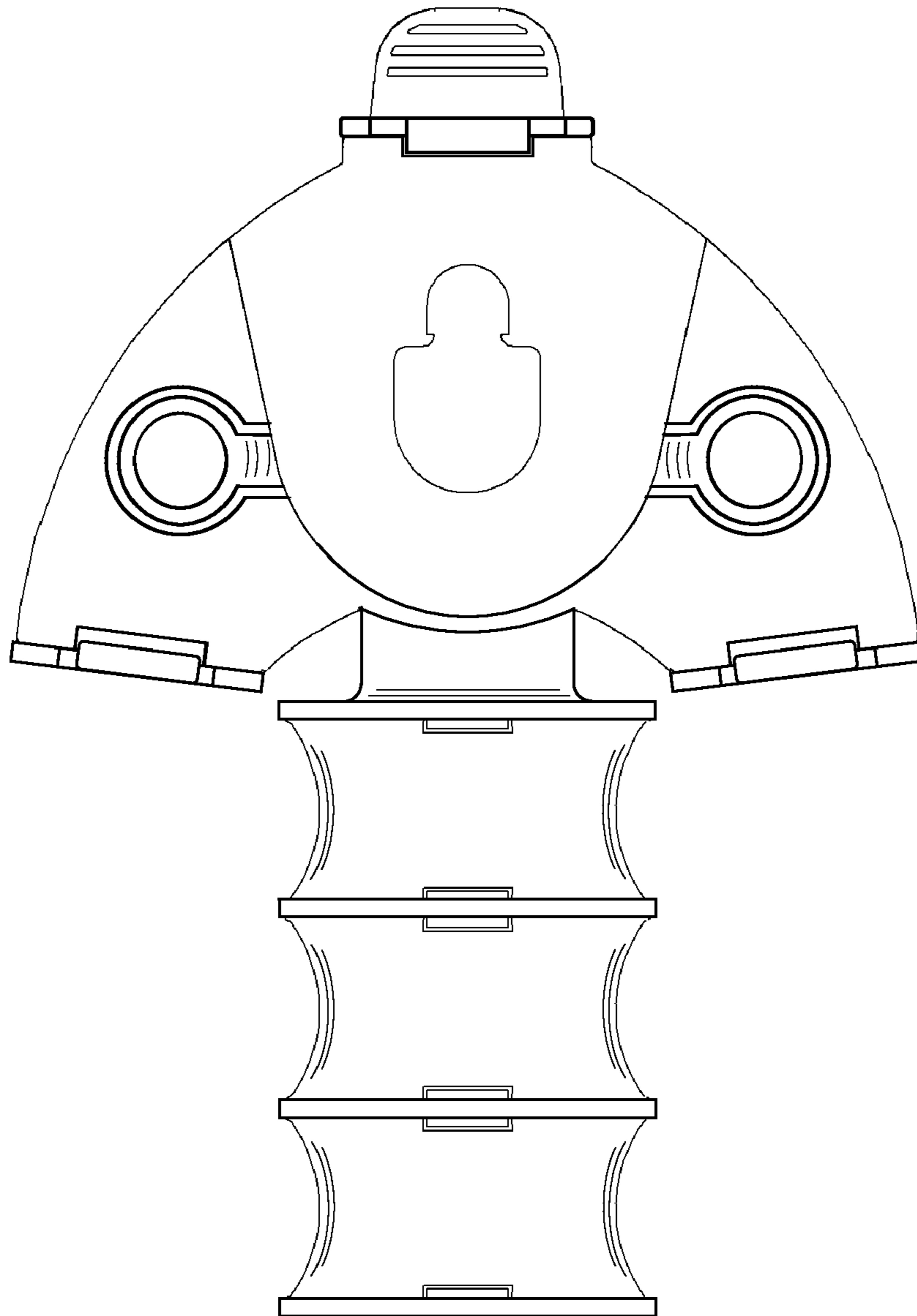


Figure 4

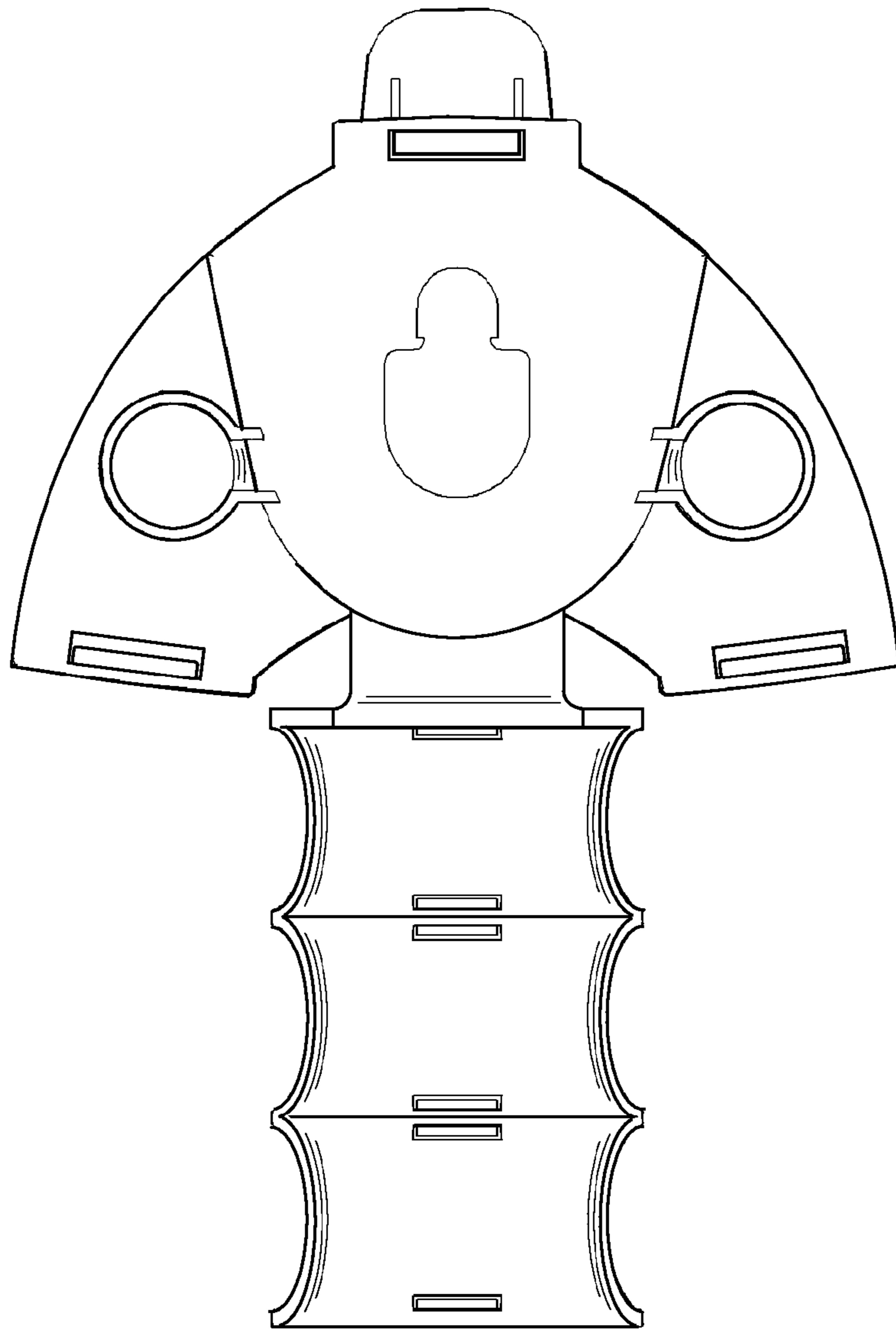


Figure 5

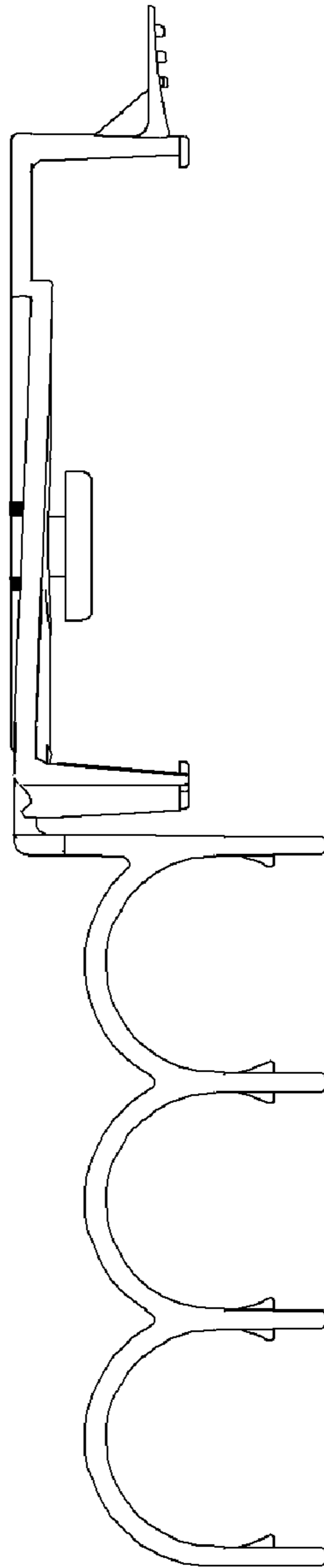


Figure 6

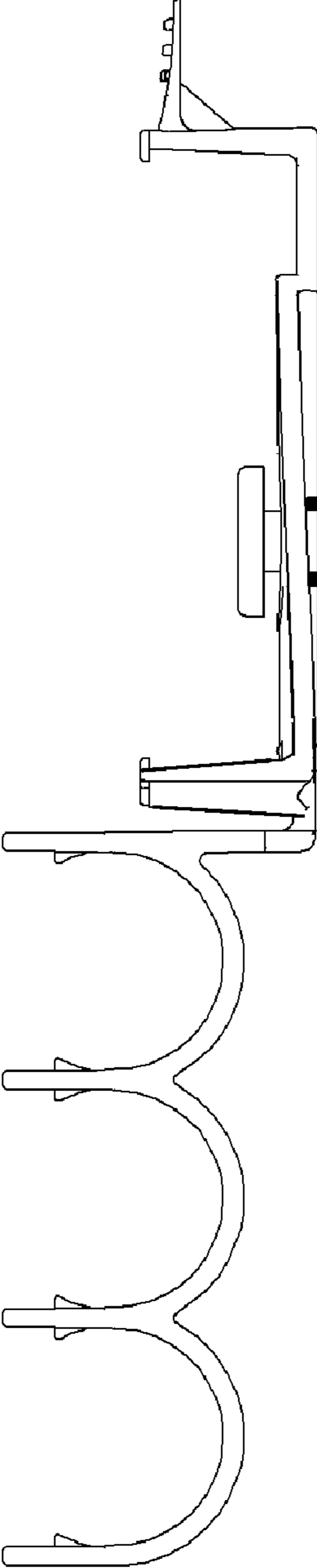


Figure 7

