



US00D641043S

(12) **United States Design Patent**  
**Renner et al.**

(10) **Patent No.:** **US D641,043 S**  
(45) **Date of Patent:** **\*\* Jul. 5, 2011**

(54) **PENCIL**

(75) Inventors: **Reinhard Renner**, Esslingen (DE);  
**Ulrich Schweig**, Esslingen (DE)

(73) Assignee: **J.S. Staedtler GmbH & Co. KG**,  
Nürnberg (DE)

(\*\*) Term: **14 Years**

(21) Appl. No.: **29/365,831**

(22) Filed: **Jul. 15, 2010**

**Related U.S. Application Data**

(63) Continuation-in-part of application No. 29/314,907,  
filed on May 7, 2009, now Pat. No. Des. 620,979.

(30) **Foreign Application Priority Data**

Nov. 11, 2008 (EM) ..... 001 037 139

(51) **LOC (9) Cl.** ..... **19-06**

(52) **U.S. Cl.** ..... **D19/45**

(58) **Field of Classification Search** ..... D19/35,  
D19/36, 41-51, 53-57; 15/435, 436; 16/430;  
24/10 P, 11 R, 11 F, 11 P; 401/6, 52, 88,  
401/99, 100, 104-109, 192, 195, 196  
See application file for complete search history.

(56) **References Cited**

**U.S. PATENT DOCUMENTS**

141,287 A *	7/1873	Orndorff	15/443
D18,410 S *	6/1888	Richards	D19/54
D25,606 S *	6/1896	Kaiser	D19/49
1,182,246 A *	5/1916	Bridges	15/444
1,595,948 A *	8/1926	King	401/88
1,971,681 A *	8/1934	Hauton	401/6
D107,521 S *	12/1937	Kropsch	D19/49
2,107,816 A *	2/1938	Chesler	401/96

2,171,188 A *	8/1939	Morris	401/52
2,292,324 A *	8/1942	Lawrence	401/8
2,893,109 A *	7/1959	Young	29/90.01
3,262,425 A *	7/1966	Waugh	15/431
D217,838 S *	6/1970	Lee et al.	D19/43
4,625,366 A *	12/1986	Egerer	19/97
4,852,221 A *	8/1989	Antonucci	24/10 R
4,925,668 A *	5/1990	Khan et al.	424/422
5,056,945 A *	10/1991	Klodt	401/6
D402,693 S *	12/1998	Sunaga	D19/48
6,019,533 A *	2/2000	Smith	401/6
D422,634 S *	4/2000	Osepchuk	D19/51
6,179,502 B1 *	1/2001	Gray	401/96
6,357,944 B1 *	3/2002	Reed et al.	401/88
D466,155 S *	11/2002	Brunetti	D19/49
D482,071 S *	11/2003	Kennedy et al.	D19/55
D492,350 S *	6/2004	Morrow	D19/55
6,752,556 B2 *	6/2004	Pearce	401/6
D496,400 S *	9/2004	Pellissa Beneyto	D19/51
D502,734 S *	3/2005	Davis et al.	D19/36
6,942,408 B2 *	9/2005	Smith	401/6
D551,709 S *	9/2007	Pellissa Beneyto	D19/50

\* cited by examiner

*Primary Examiner* — Elizabeth A Albert

(74) *Attorney, Agent, or Firm* — Lucas & Mercanti, LLP;  
Klaus P. Stoffel

(57) **CLAIM**

The ornamental design for a pencil, as shown and described.

**DESCRIPTION**

FIG. 1 is a perspective view of the pencil of the present invention;

FIG. 2 is a side view thereof;

FIG. 3 is another side view thereof;

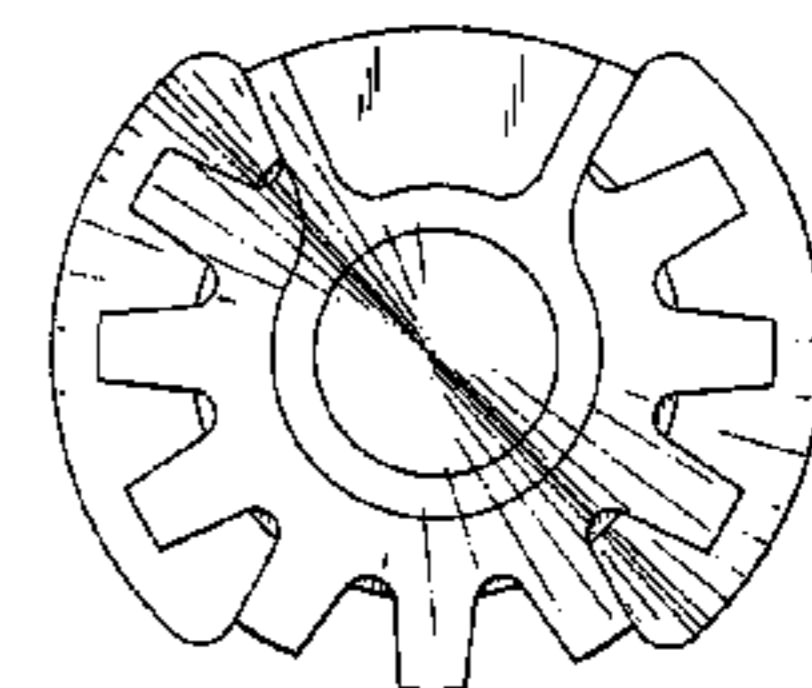
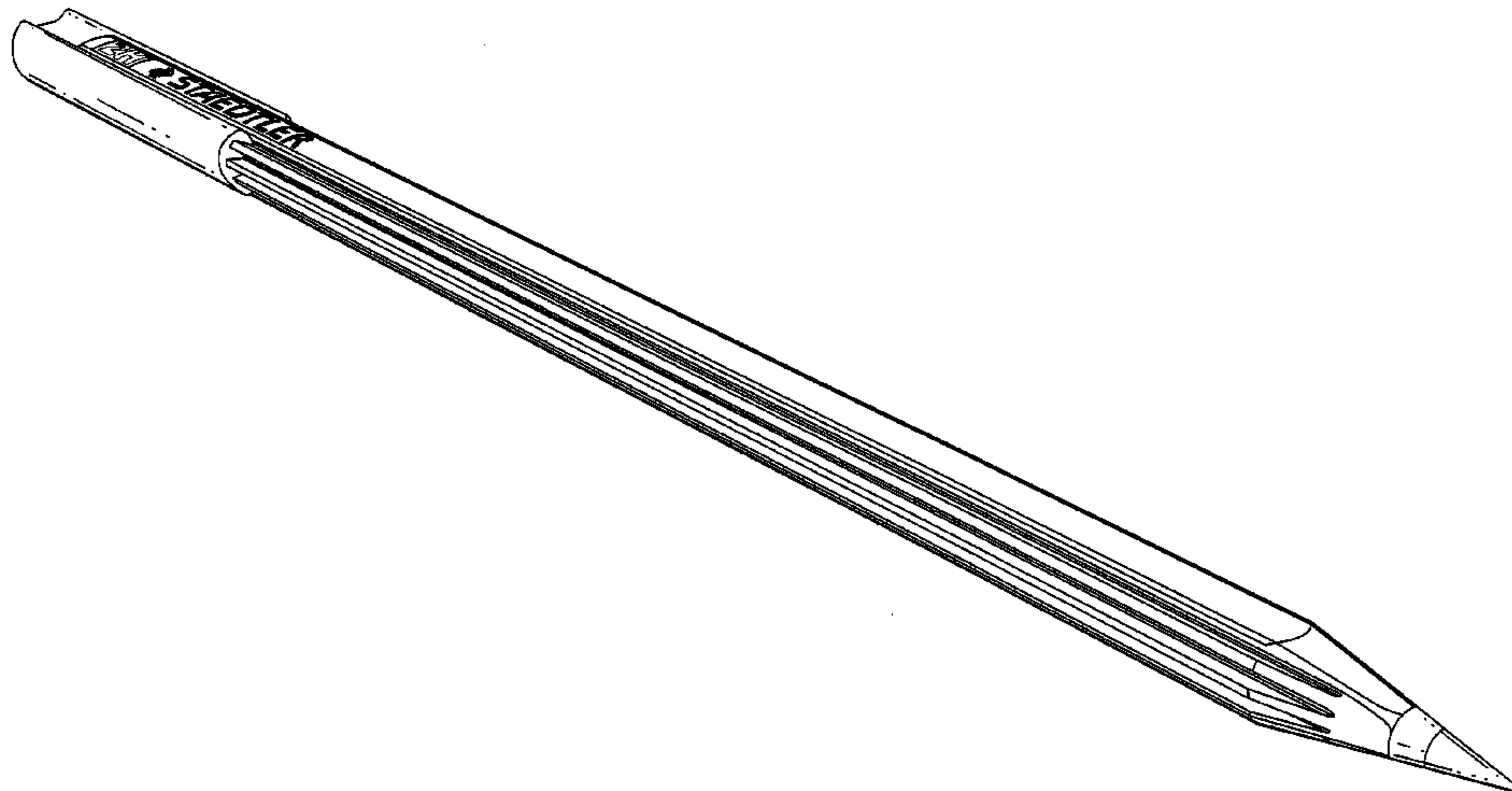
FIG. 4 is another side view thereof;

FIG. 5 is another side view thereof;

FIG. 6 is an enlarged rear view thereof; and,

FIG. 7 is an enlarged front view thereof.

**1 Claim, 5 Drawing Sheets**



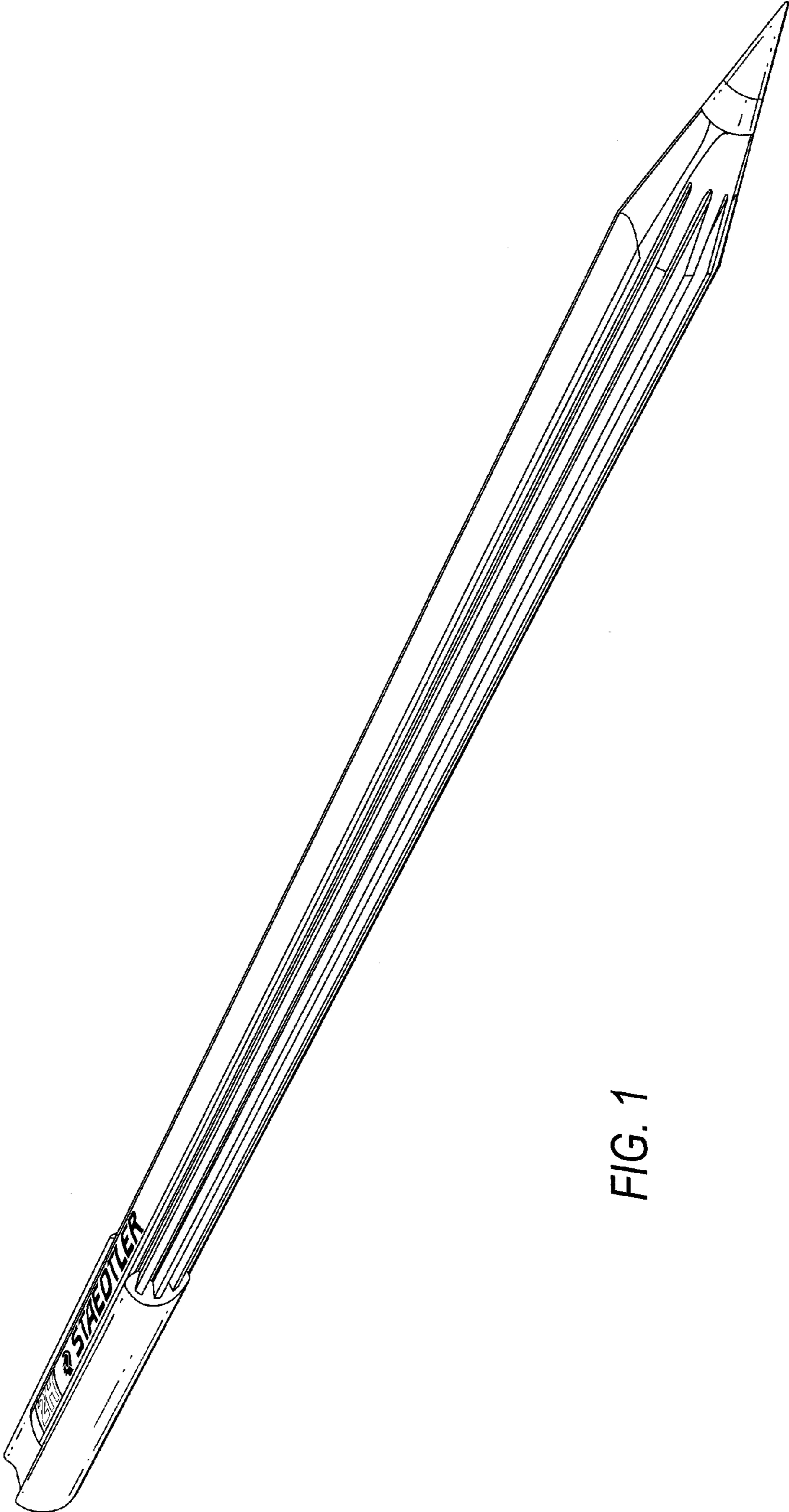


FIG. 1

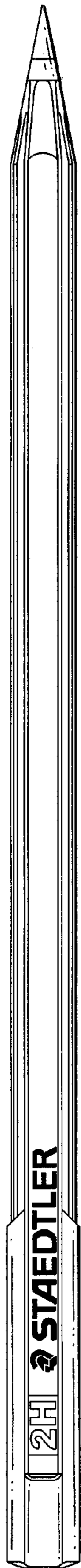


FIG. 2



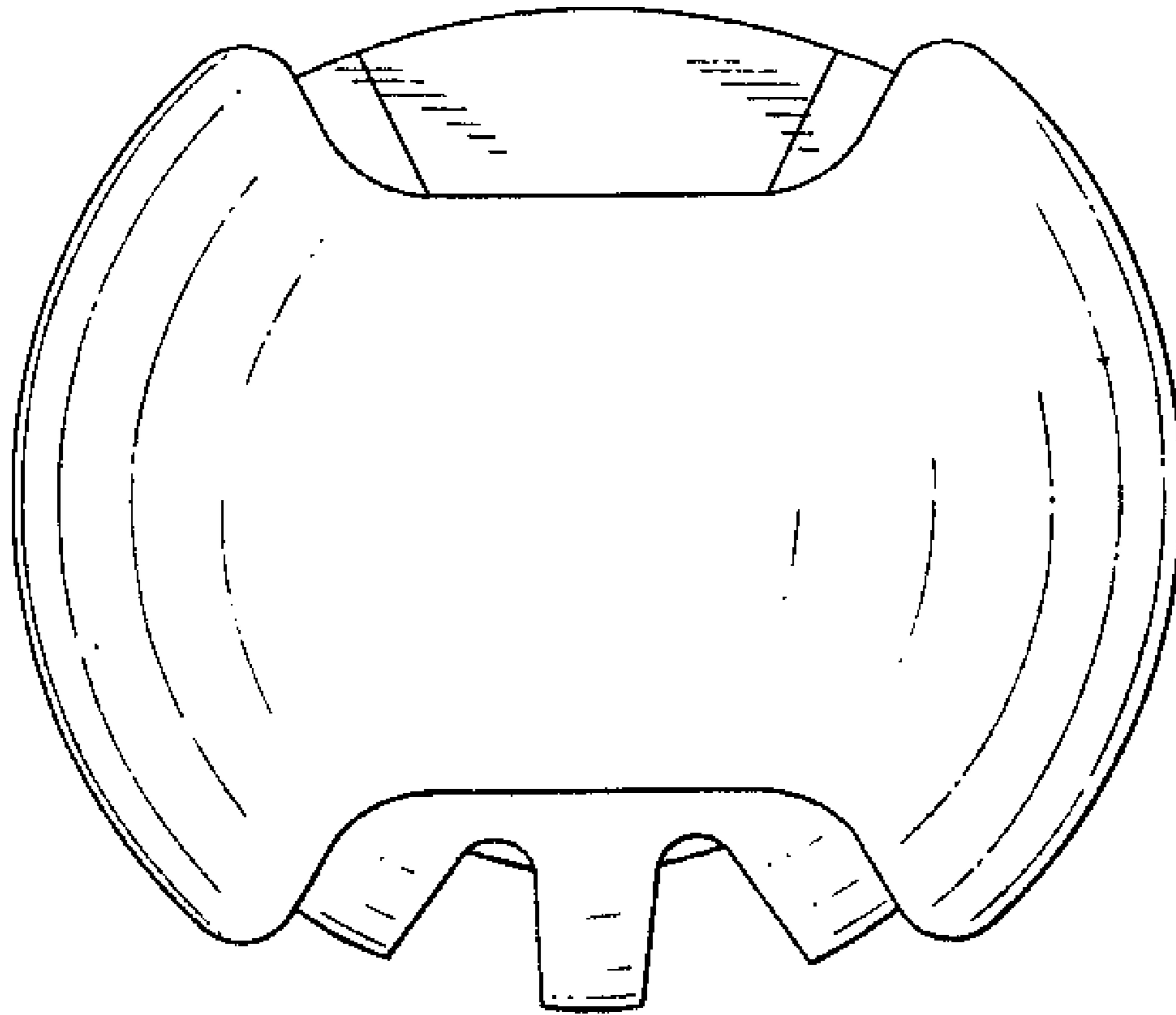
FIG. 3



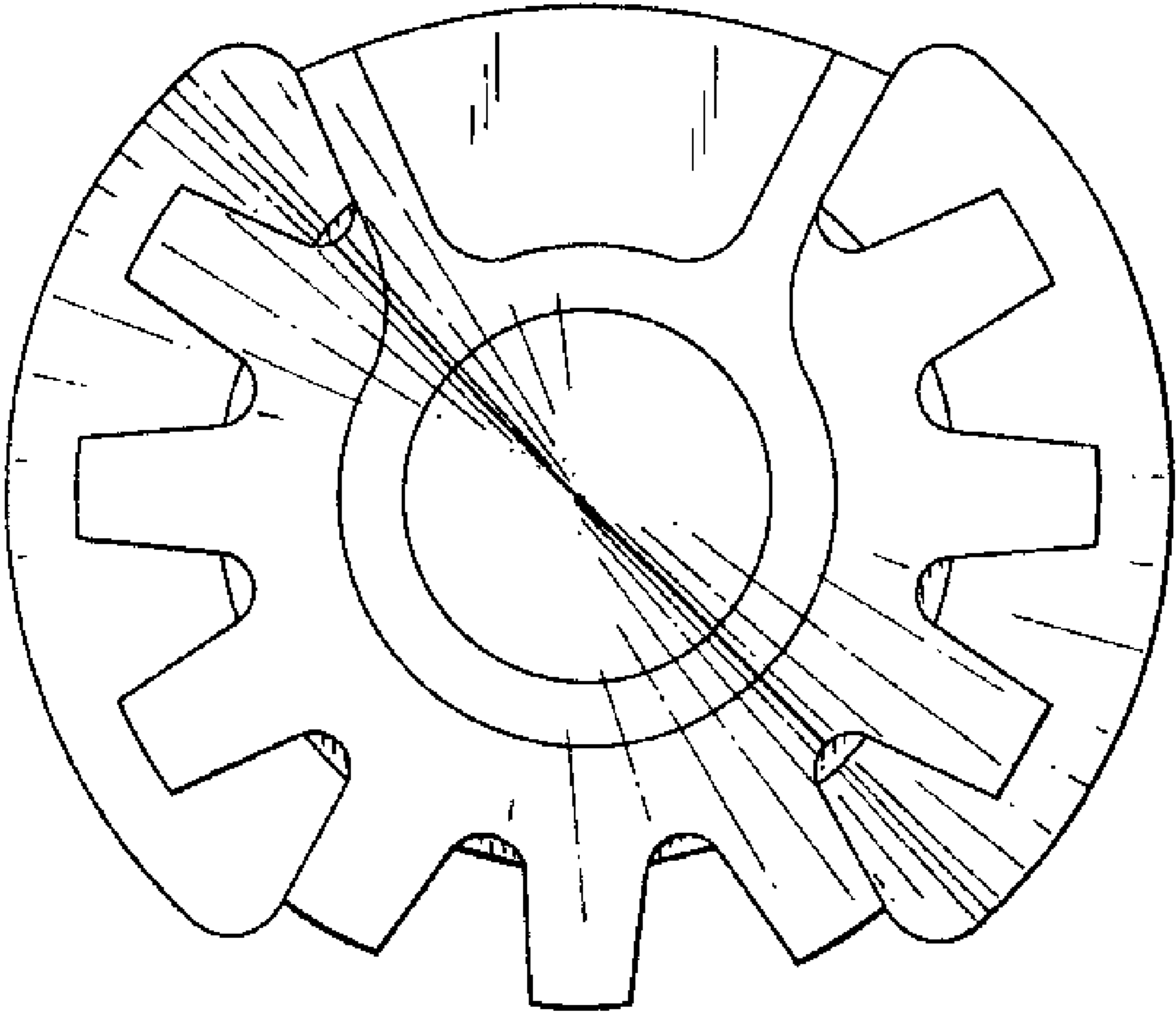
FIG. 4



FIG. 5



**FIG. 6**



**FIG. 7**