



US00D641042S

(12) **United States Design Patent**
Stukenkemper

(10) **Patent No.:** **US D641,042 S**

(45) **Date of Patent:** **** Jul. 5, 2011**

(54) **WRITING IMPLEMENT**

(75) Inventor: **Heinrich Stukenkemper**, Castrop Rauxel (DE)

(73) Assignee: **Faber-Castell Aktiengesellschaft**, Stein (DE)

(**) Term: **14 Years**

(21) Appl. No.: **29/367,751**

(22) Filed: **Aug. 12, 2010**

Related U.S. Application Data

(63) Continuation of application No. 29/328,484, filed on Nov. 25, 2008, now Pat. No. Des. 621,875.

Foreign Application Priority Data

May 30, 2008 (EM) 000943345-0001

(51) **LOC (9) Cl.** **19-06**

(52) **U.S. Cl.** **D19/43**

(58) **Field of Classification Search** D19/35, D19/36, 41-51, 53-57; 24/11 F, 11 P, 11 R; 401/52, 99, 100, 104-109, 192, 195, 196
See application file for complete search history.

(56) **References Cited**

U.S. PATENT DOCUMENTS

D166,254	S	*	3/1952	Gazda	D19/42
4,371,278	A	*	2/1983	Joo	401/195
D324,238	S	*	2/1992	Nitta	D19/49
D386,526	S		11/1997	Ito		
D417,891	S		12/1999	Izushima		
D418,163	S		12/1999	Rosen		
D451,547	S	*	12/2001	Nishida	D19/48
D458,964	S	*	6/2002	Nakazawa	D19/48
D474,241	S	*	5/2003	Hasegawa	D19/51
D500,794	S	*	1/2005	Conklin et al.	D19/51
6,837,637	B1	*	1/2005	Beck et al.	401/6
D518,522	S	*	4/2006	Leibeck	D19/48
D530,745	S	*	10/2006	Kent et al.	D19/43

(Continued)

FOREIGN PATENT DOCUMENTS

EM 000866447-0001 1/2008

(Continued)

OTHER PUBLICATIONS

Grip 2001—The Innovation product information, Faber-Castell, http://www.faber-castell.de/10689/Products/Pencils/Grip-2001-the-Innovation/index_ebene3.aspx, last modified Sep. 9, 2008.

(Continued)

Primary Examiner — Elizabeth A Albert

(74) *Attorney, Agent, or Firm* — Calfee, Halter & Griswold LLP

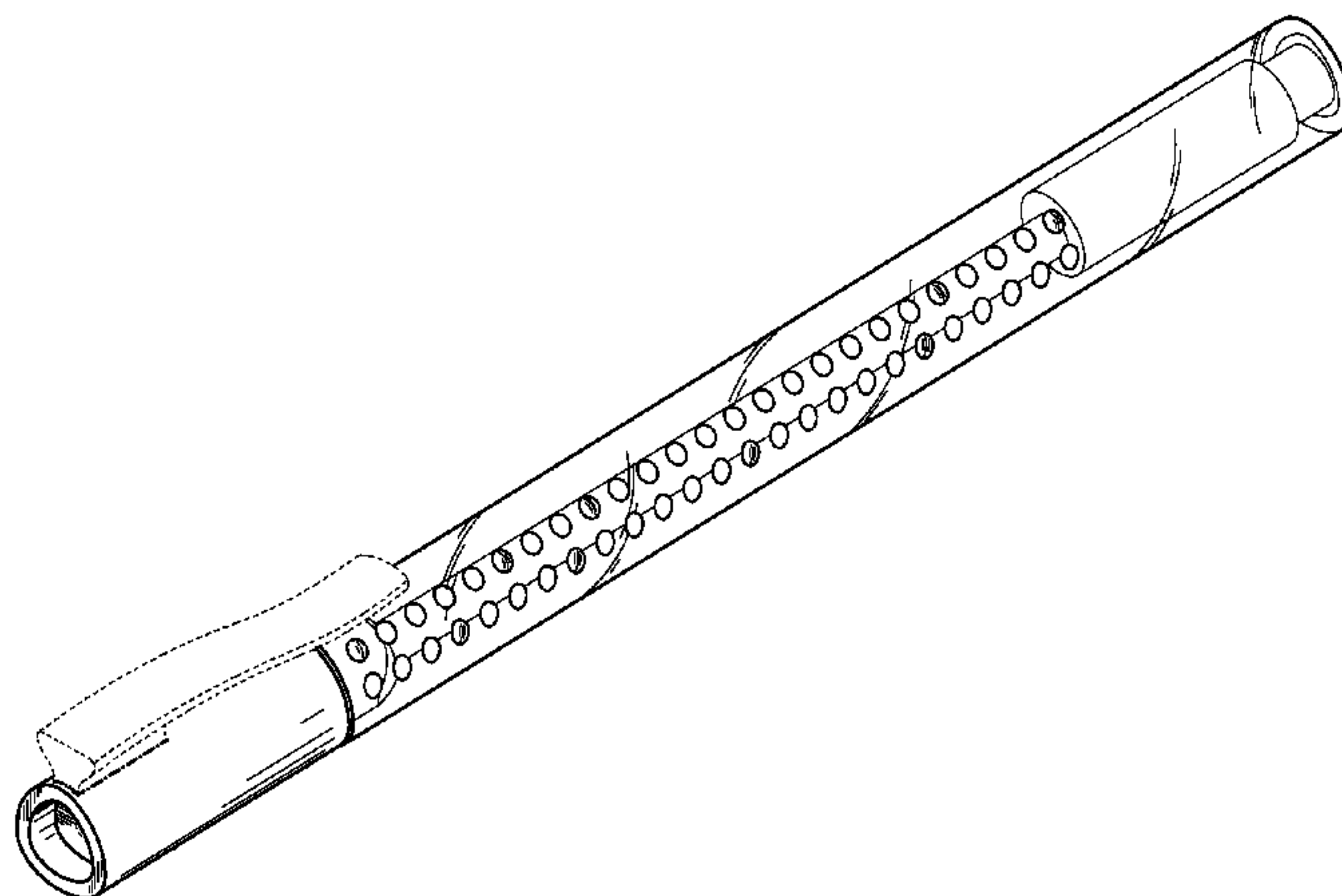
(57) **CLAIM**

I claim the ornamental design for a writing implement, as shown and described.

DESCRIPTION

FIG. 1 is a front/right/top view of a writing implement; FIG. 2 is a front view thereof; FIG. 3 is a rear view thereof; FIG. 4 is a right side view thereof, wherein the left side view would be a mirror image thereof; FIG. 5 is a top view thereof; and FIG. 6 is a bottom view thereof. FIG. 7 is a front/right/top view of the writing implement with the cap removed and shown in the Figure; FIG. 8 is a right side view thereof, wherein the left side view would be a mirror image thereof; and, FIG. 9 is a front view thereof without the cap being shown in the Figure. The dash-dot broken lines represent the bounds of the claimed design, while all other broken lines are directed to environmental matter; the broken lines form no part of the claimed design.

1 Claim, 9 Drawing Sheets



US D641,042 S

Page 2

U.S. PATENT DOCUMENTS

D530,747 S * 10/2006 Leibeck D19/48
D531,665 S * 11/2006 Leibeck D19/48
D551,708 S * 9/2007 Leibeck D19/48
D593,604 S * 6/2009 Yu et al. D19/47
D607,930 S 1/2010 Liu
D612,426 S * 3/2010 Suero et al. D19/41
D620,524 S * 7/2010 Shibata D19/47

FOREIGN PATENT DOCUMENTS

EM 000903844-0013 3/2008
WO DM/050013 10/1999

WO DM/061049 7/2002
WO DM/070982 11/2008

OTHER PUBLICATIONS

Grip 2011 Mechanical Pencil with Soft-Grip Zone and Breakage Resistant Lead product information, Faber-Castell, <http://www.faber-castell.de/20634/Products/Office-Products/Mechincal-pencils/Grip-2...>, last modified Sep. 9, 2008.

* cited by examiner

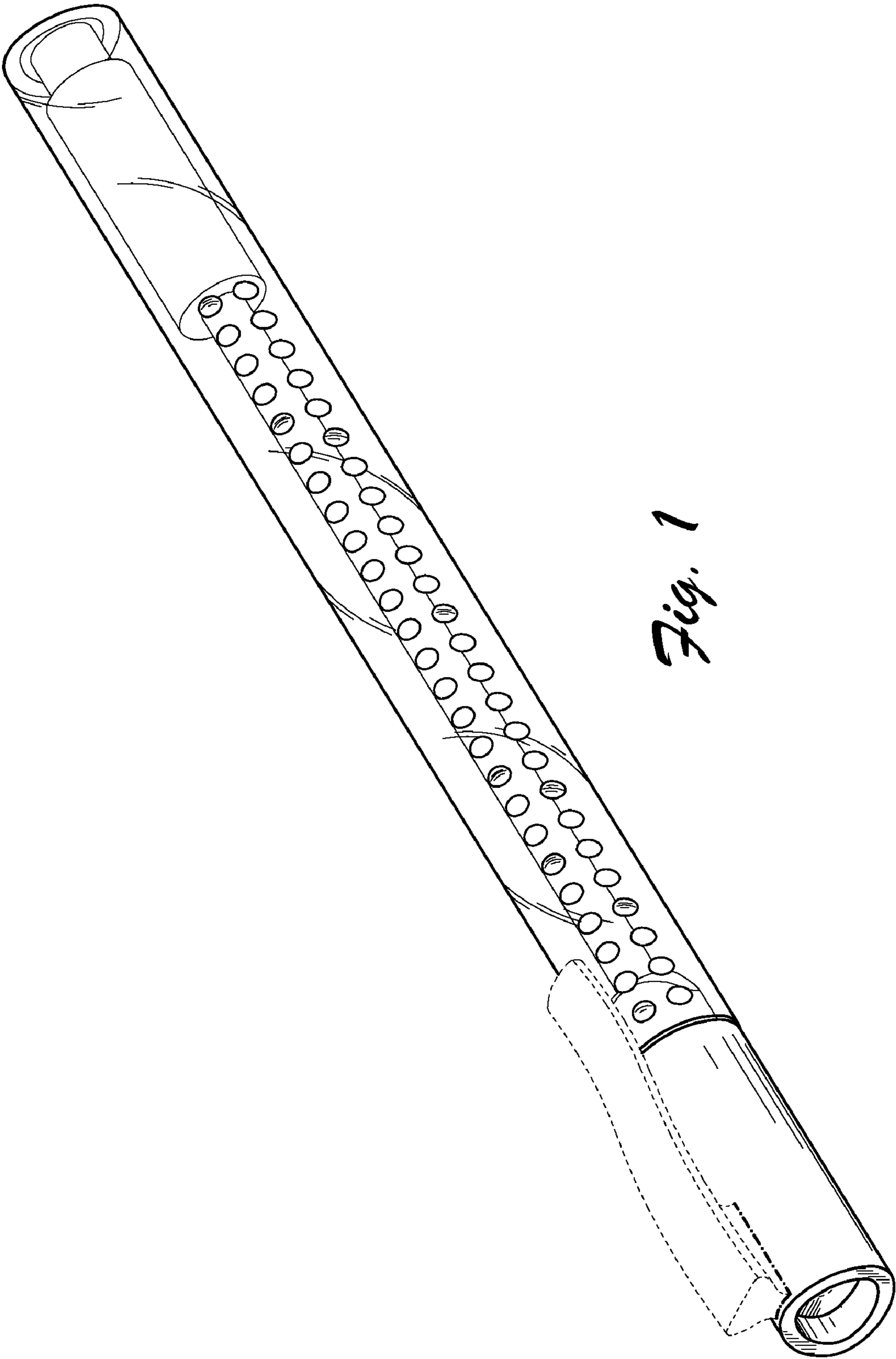


Fig. 1

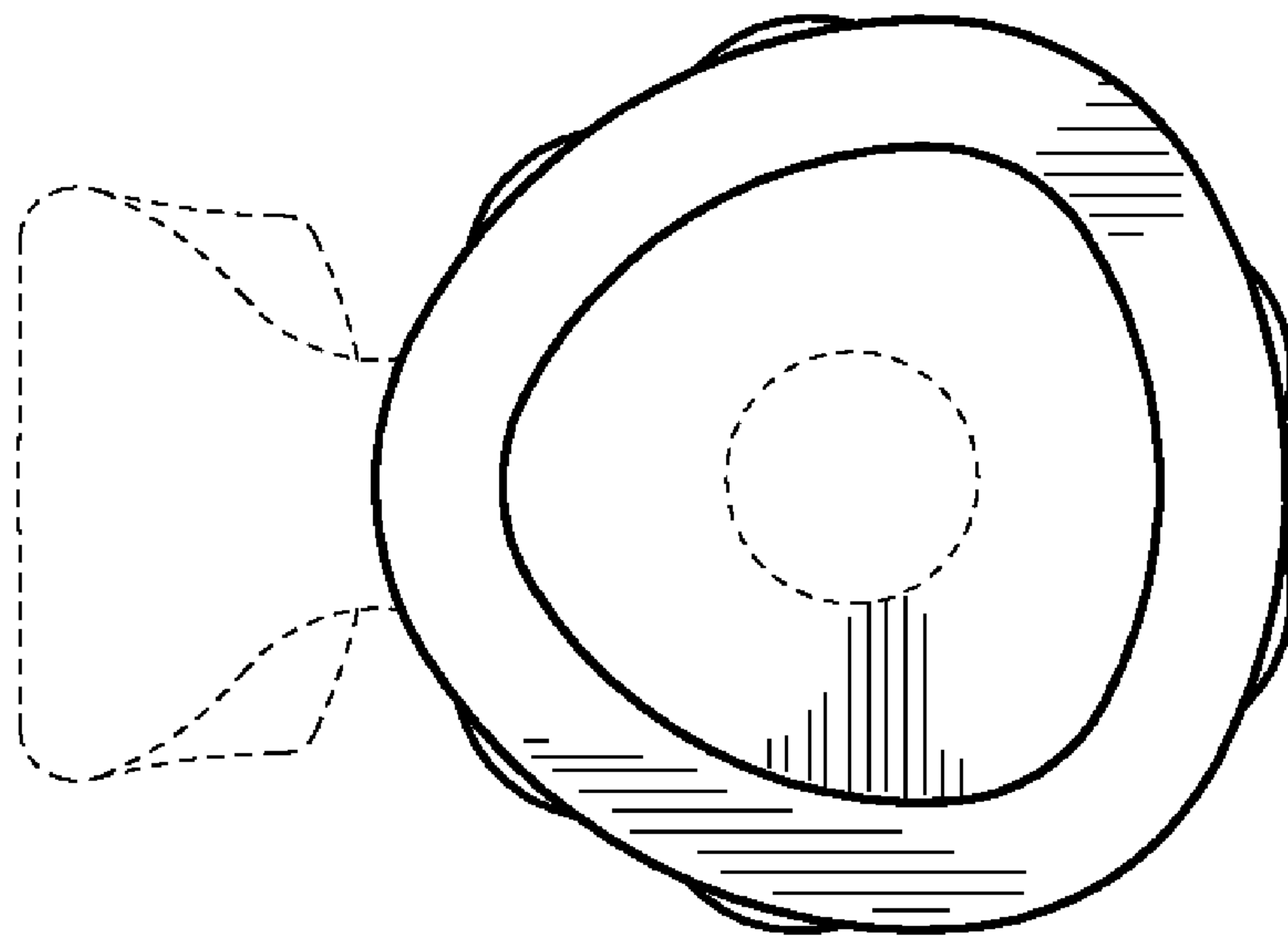


Fig. 2

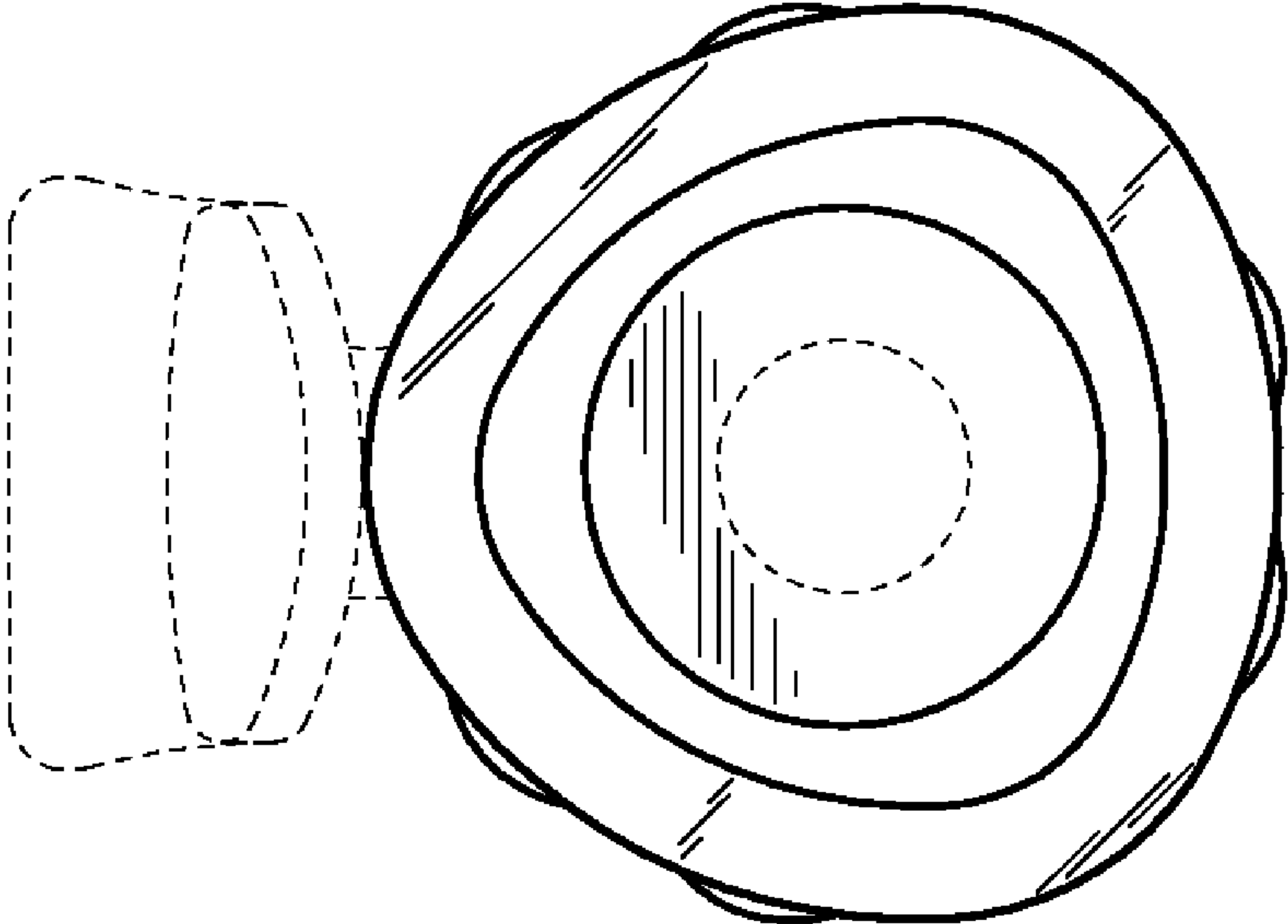


Fig. 3

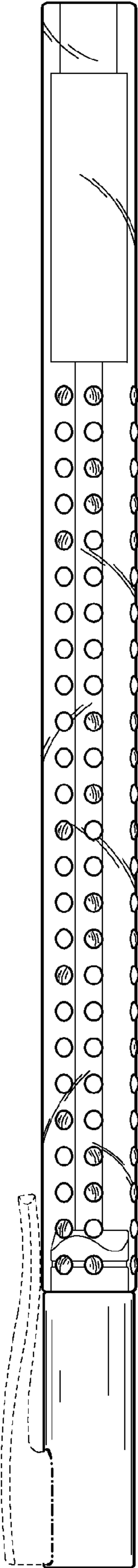


Fig. 4

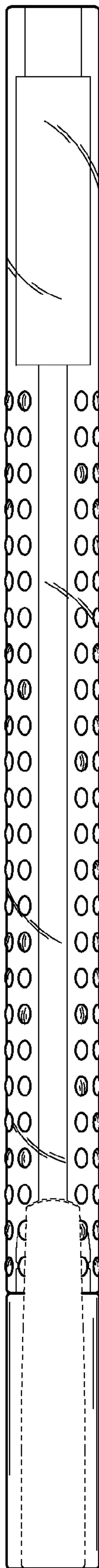


Fig. 5

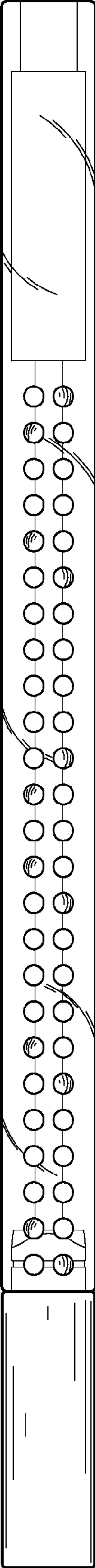
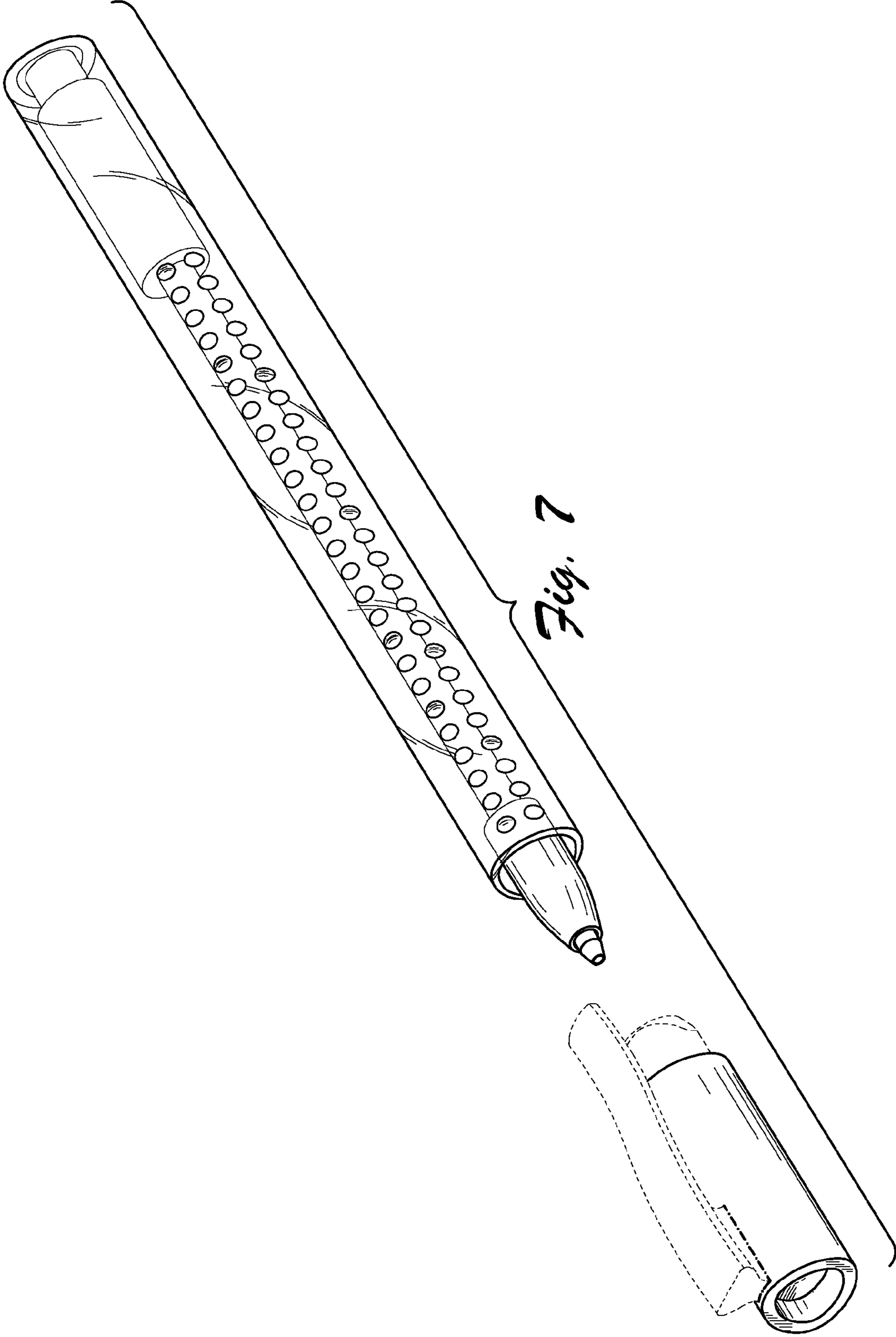


Fig. 6



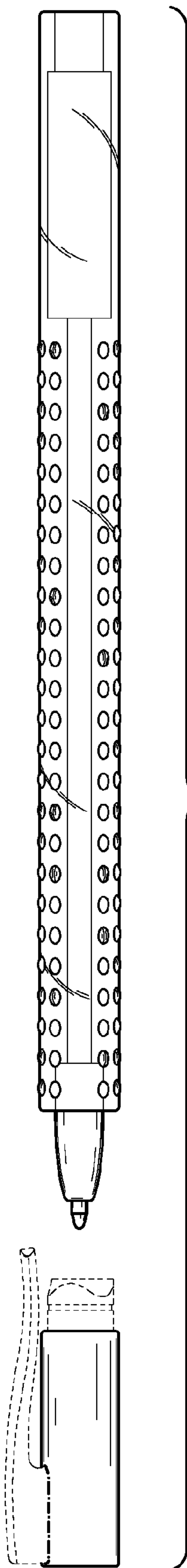


Fig. 8

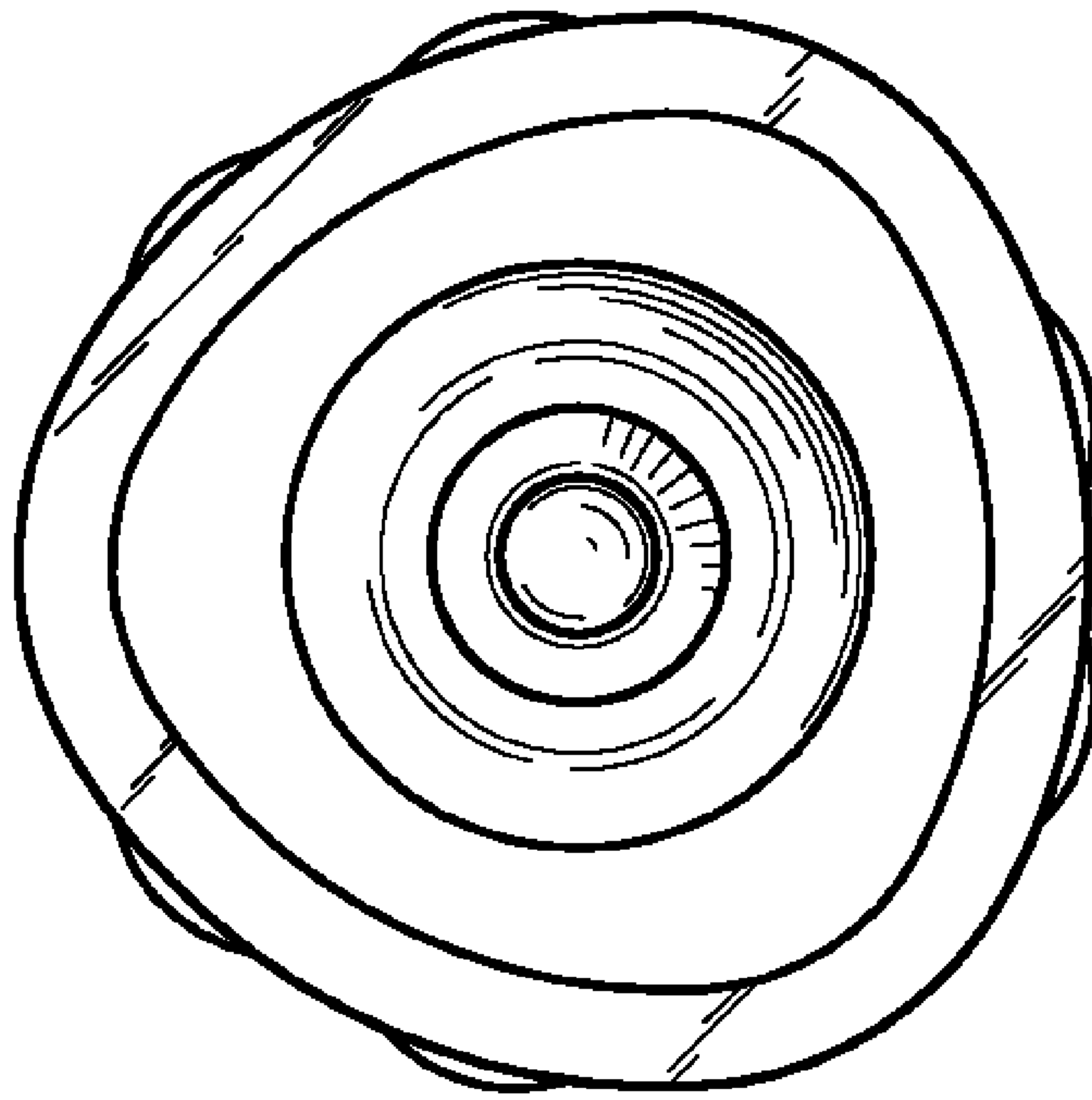


Fig. 9