



US00D641036S

(12) **United States Design Patent**
Park et al.

(10) **Patent No.:** **US D641,036 S**
(45) **Date of Patent:** **** Jul. 5, 2011**

(54) **SPRING TYPE REVERBERATOR**

(76) Inventors: **Jong Hwan Park**, Seoul (KR); **Hyun Park**, Seoul (KR)

(**) Term: **14 Years**

(21) Appl. No.: **29/301,334**

(22) Filed: **Feb. 22, 2008**

(30) **Foreign Application Priority Data**

Oct. 11, 2007 (KR) 30-2007-0042376

(51) **LOC (9) Cl.** **17-03**

(52) **U.S. Cl.** **D17/20**

(58) **Field of Classification Search** D17/14,
D17/20, 21, 99; 84/189, 294, 297 R, 453,
84/600, 630, 707, DIG. 26; D14/188, 222,
D14/265; 381/63-65

See application file for complete search history.

(56) **References Cited**

U.S. PATENT DOCUMENTS

- 4,273,205 A * 6/1981 De Voogd 177/210 FP
- 4,762,046 A * 8/1988 Aspri et al. 84/294
- D314,968 S * 2/1991 Aspri et al. D17/20
- 5,567,895 A * 10/1996 Aspri et al. 84/294
- D405,451 S * 2/1999 Sone D14/222
- D408,822 S * 4/1999 Tajima et al. D14/222
- D417,871 S * 12/1999 Hisatsune D14/188

- D444,778 S * 7/2001 Ito et al. D14/168
- D520,553 S * 5/2006 Bogdan et al. D17/20
- D569,848 S * 5/2008 Suzuki D14/217
- D578,505 S * 10/2008 Tejima et al. D14/188
- D578,998 S * 10/2008 Natori D14/188
- 2009/0016560 A1 * 1/2009 Park et al. 381/400

* cited by examiner

Primary Examiner — Ian Simmons

Assistant Examiner — Rashida Johnson

(74) *Attorney, Agent, or Firm* — Blakely, Sokoloff, Taylor & Zafman

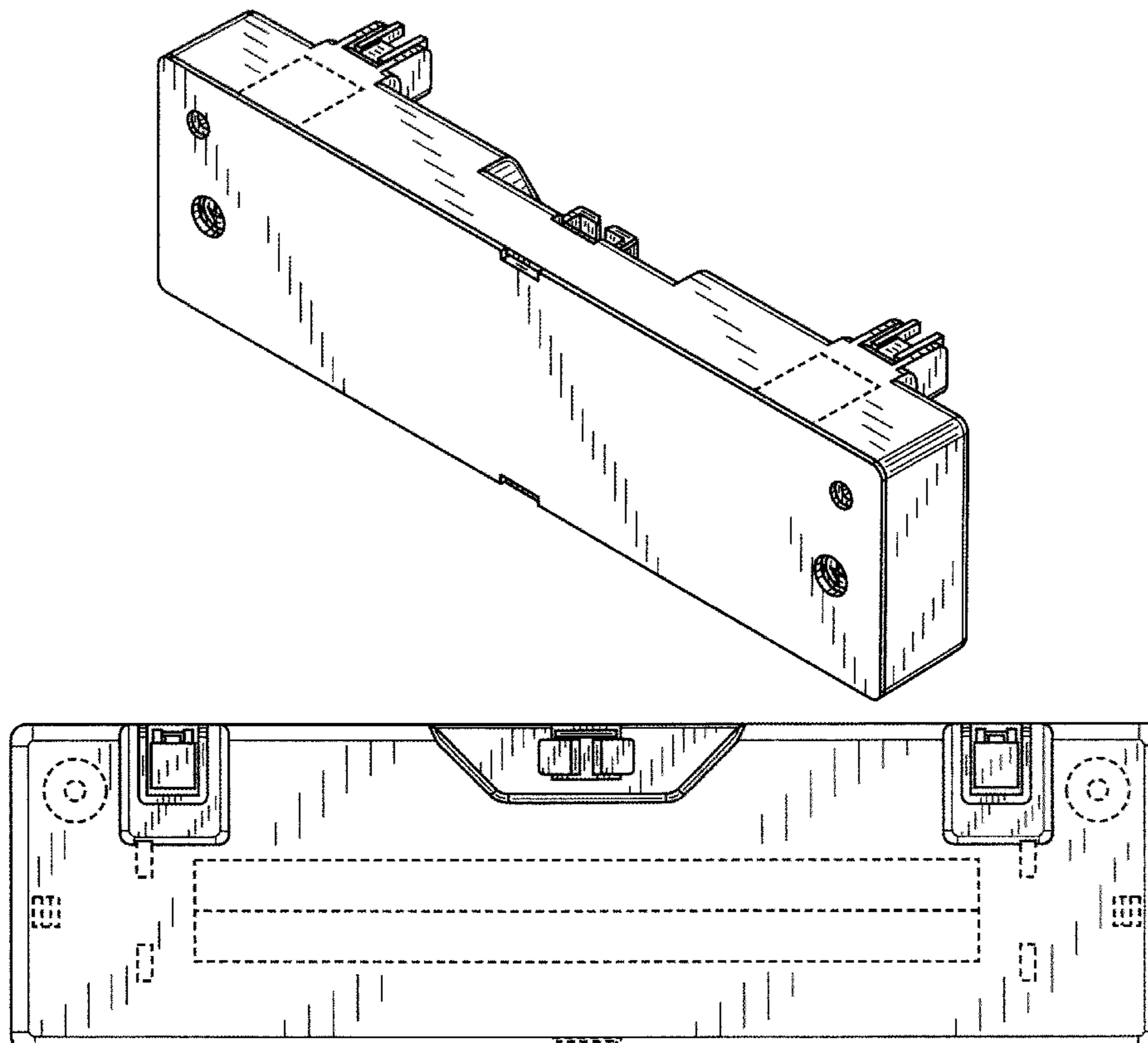
(57) **CLAIM**

We claim the ornamental design for a spring type reverberator, as shown and described.

DESCRIPTION

FIG. 1 is a perspective view of our new design; FIG. 2 is a front elevation view thereof; FIG. 3 is a rear elevation view thereof; FIG. 4 is a left side elevation view thereof; FIG. 5 is a right side elevation view thereof; FIG. 6 is a top plan view thereof; and, FIG. 7 is a bottom plan view thereof. Elements in the Figures shown as broken lines are unclaimed portions of the design.

1 Claim, 7 Drawing Sheets



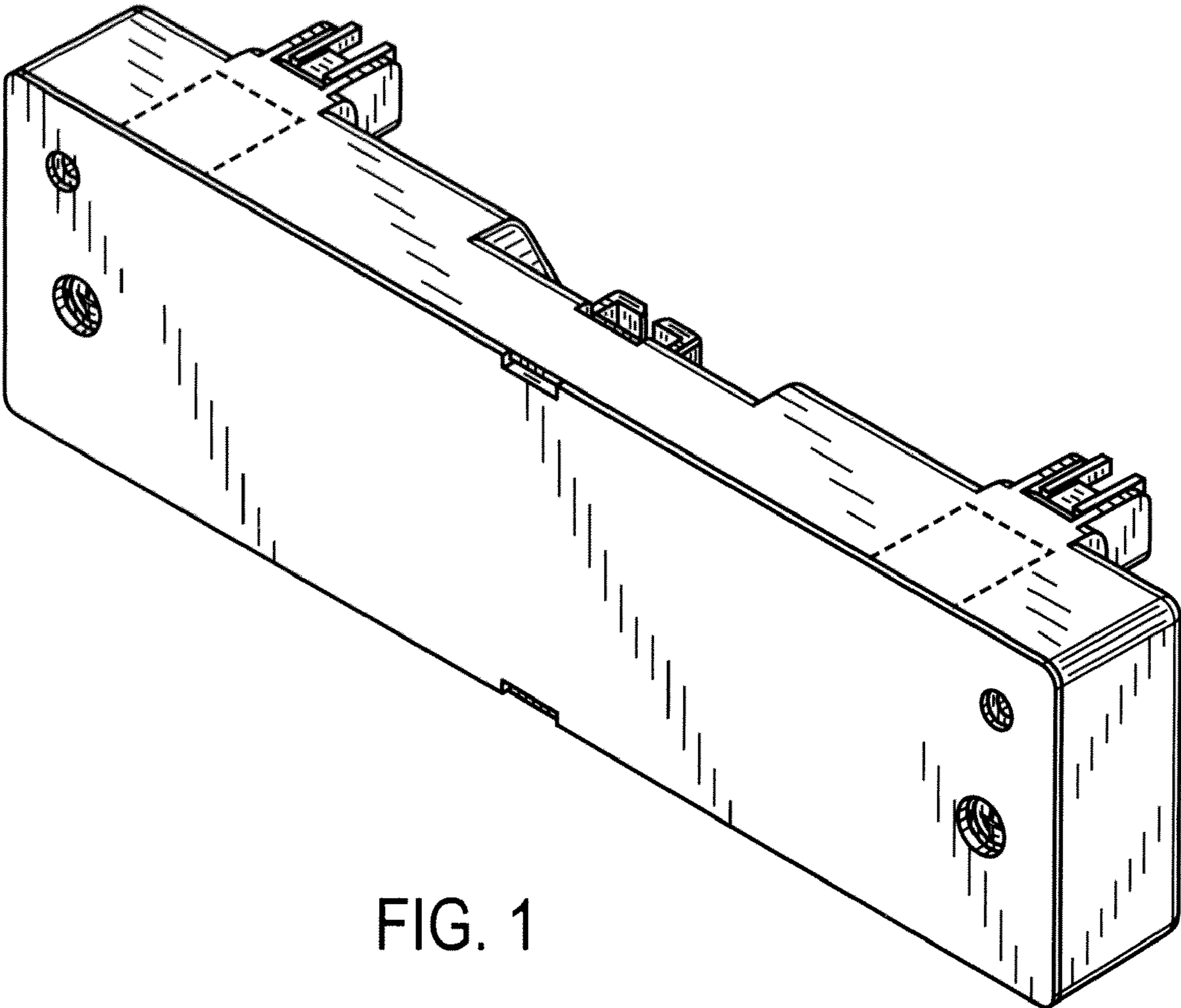


FIG. 1

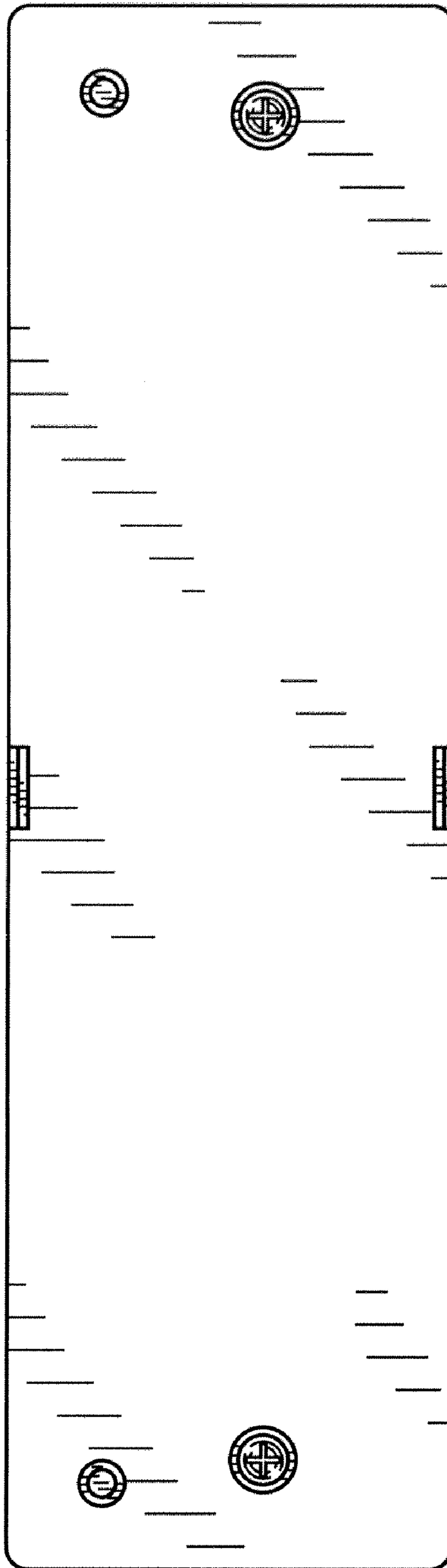


FIG. 2

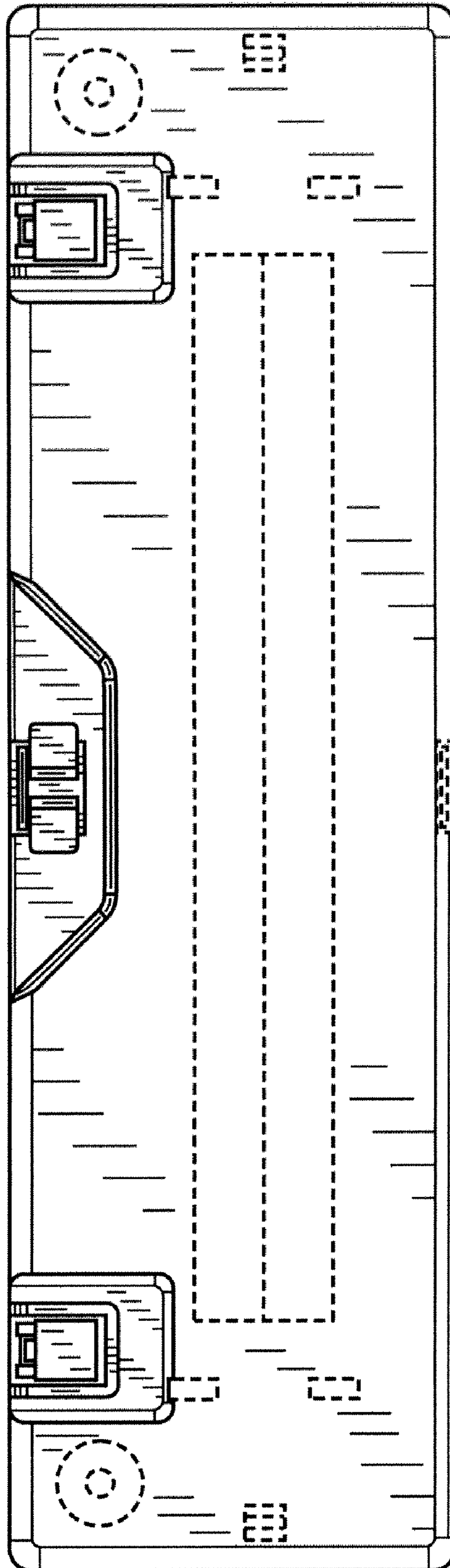


FIG. 3

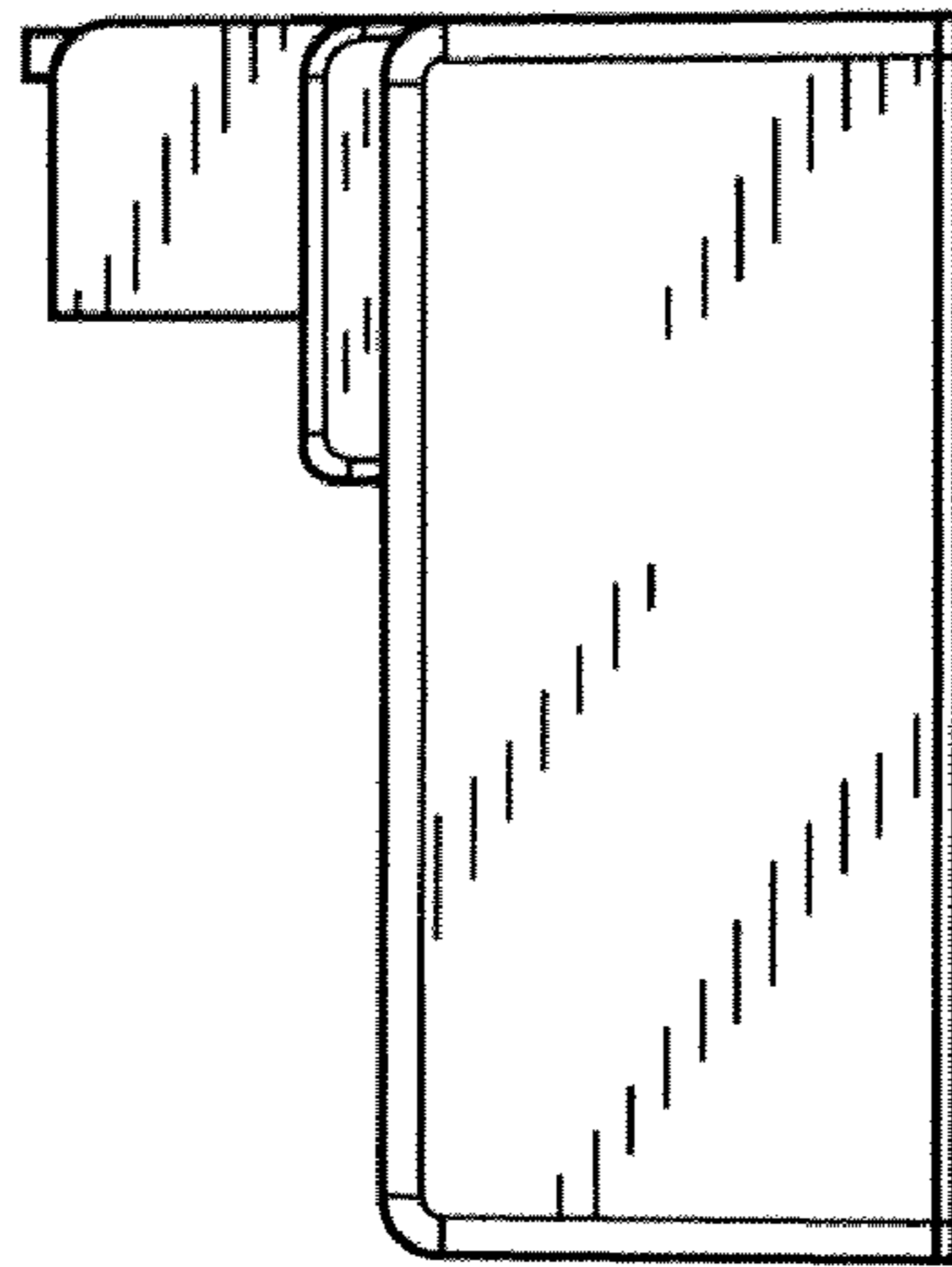


FIG. 4

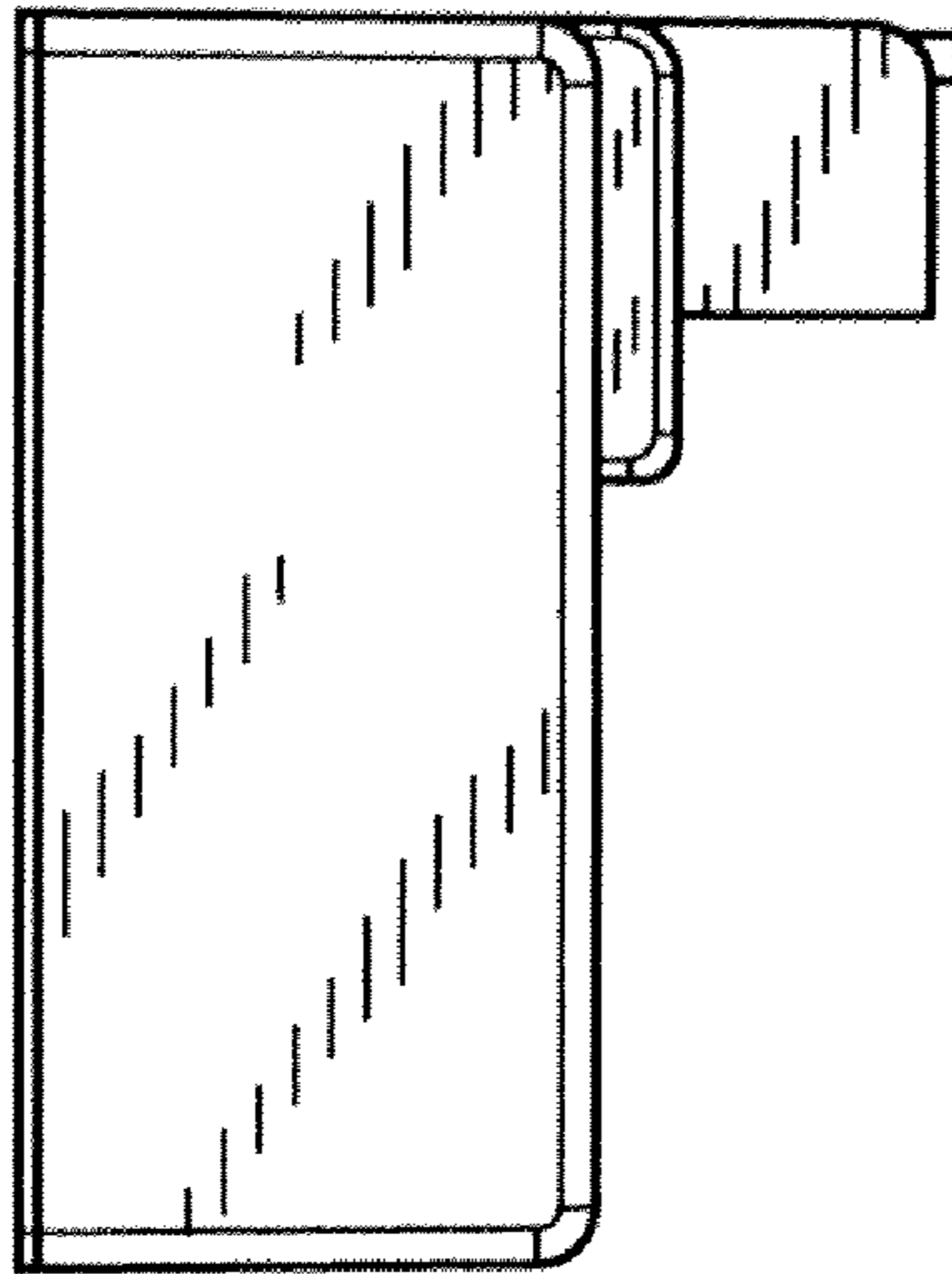


FIG. 5

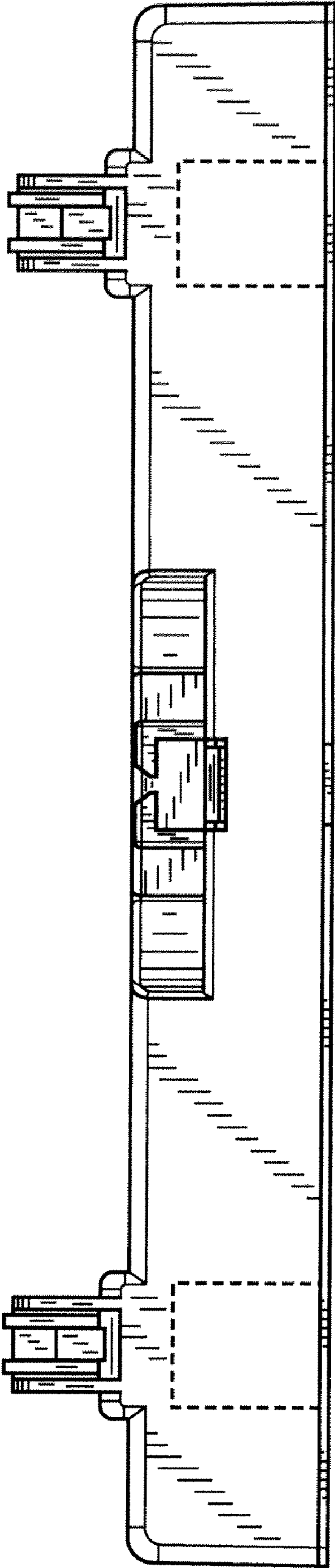


FIG. 6

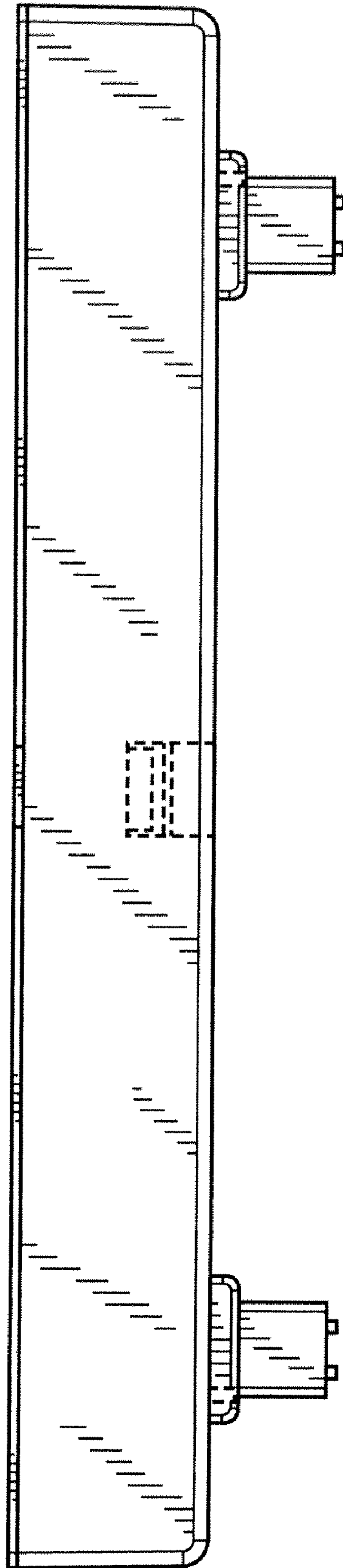


FIG. 7