



US00D641033S

(12) **United States Design Patent**
Nohara

(10) **Patent No.:** **US D641,033 S**

(45) **Date of Patent:** **** Jul. 5, 2011**

(54) **DIGITAL CAMERA**

(75) Inventor: **Takeshi Nohara**, Hachioji (JP)

(73) Assignee: **Olympus Imaging Corp.**, Tokyo (JP)

(**) Term: **14 Years**

(21) Appl. No.: **29/384,226**

(22) Filed: **Jan. 28, 2011**

(30) **Foreign Application Priority Data**

Dec. 22, 2010 (JP) 2010-030637

(51) **LOC (9) Cl.** **16-01**

(52) **U.S. Cl.** **D16/202**

(58) **Field of Classification Search** D16/200–204,
D16/206, 208, 218; 348/373–376; 358/909.1;
396/6, 535–541

See application file for complete search history.

(56) **References Cited**

U.S. PATENT DOCUMENTS

5,875,356 A * 2/1999 Moriya et al. 396/6
D456,430 S * 4/2002 Kobayashi et al. D16/202
D528,579 S * 9/2006 Yasutomi D16/218
D538,831 S * 3/2007 Watarai D16/202
D542,822 S * 5/2007 Senda D16/202

D555,689 S * 11/2007 Yoo et al. D16/218
D556,229 S * 11/2007 Bai D16/202
D561,219 S * 2/2008 Nagayama et al. D16/202
D574,869 S * 8/2008 Baba et al. D16/202
7,643,085 B2 * 1/2010 Saiki et al. 348/373

* cited by examiner

Primary Examiner — Adir Aronovich

(74) *Attorney, Agent, or Firm* — Holtz, Holtz, Goodman & Chick, PC

(57) **CLAIM**

The ornamental design for a digital camera, as shown and described.

DESCRIPTION

FIG. 1 is a front perspective view of a digital camera, showing my new design;

FIG. 2 is a rear perspective view thereof;

FIG. 3 is a front elevational view thereof;

FIG. 4 is a rear elevational view thereof;

FIG. 5 is a top plan view thereof;

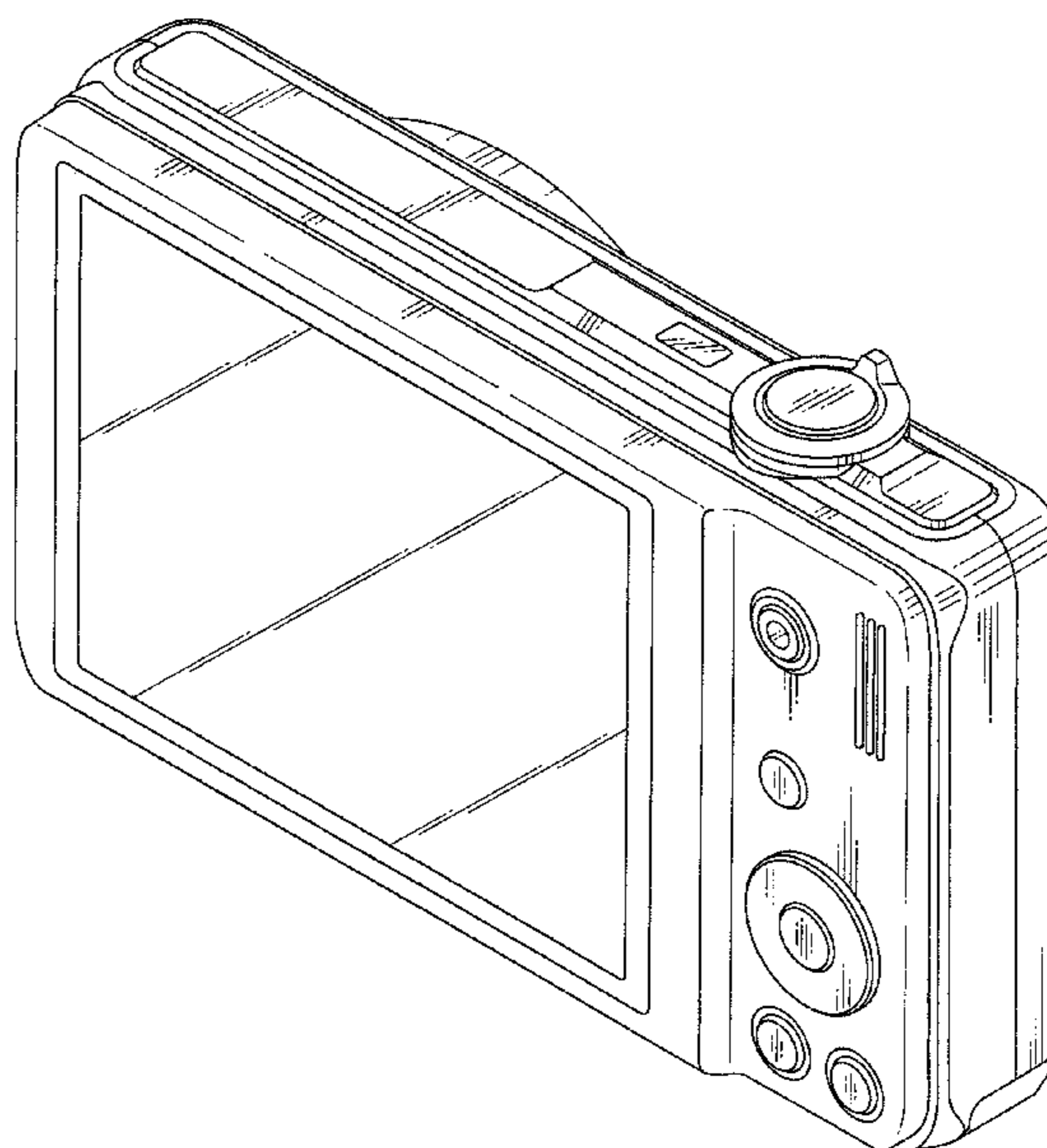
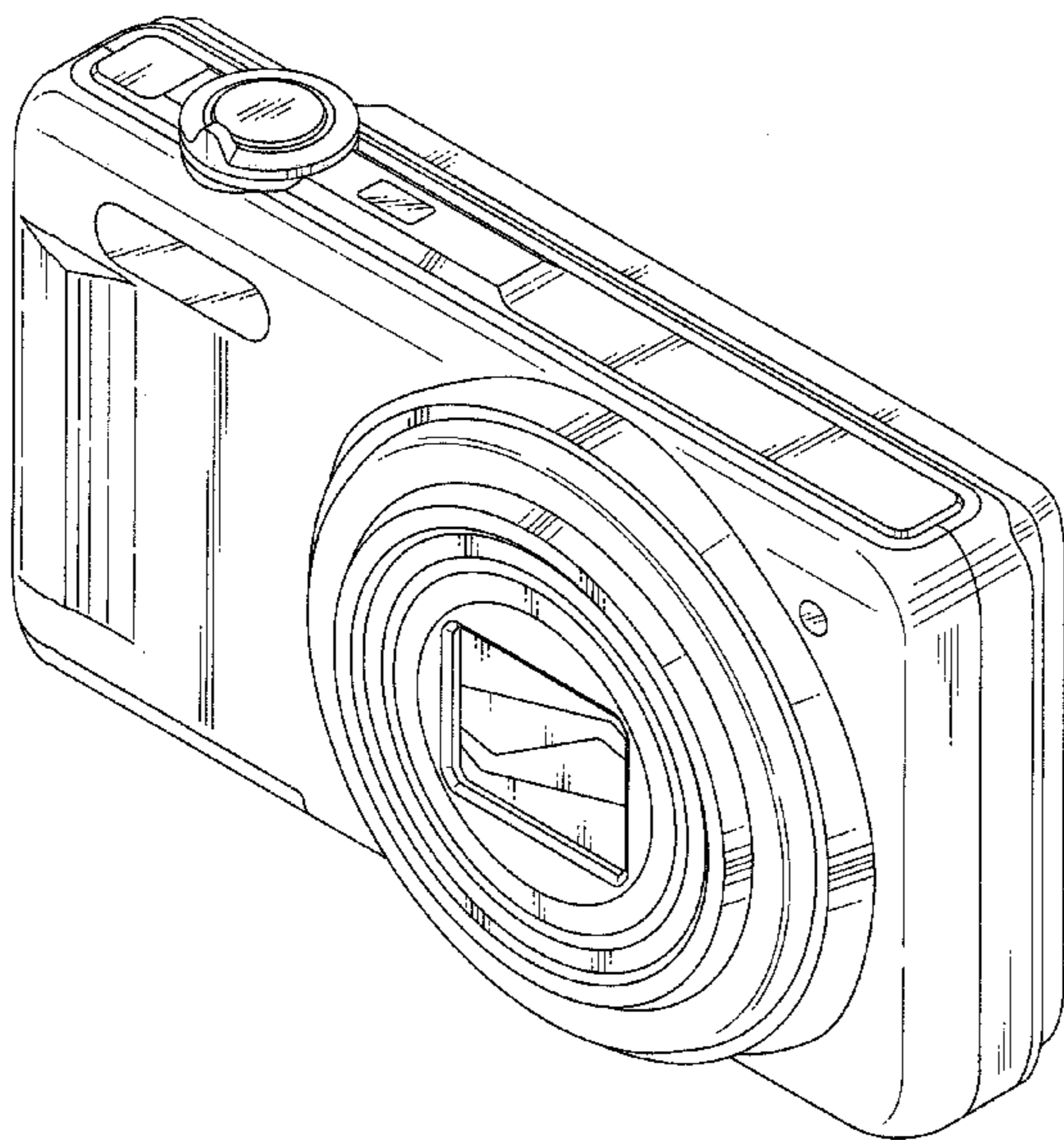
FIG. 6 is a bottom plan view thereof;

FIG. 7 is a left side elevational view thereof;

FIG. 8 is a right side elevational view thereof; and,

FIG. 9 is a sectional view thereof taken along line 9—9 in FIG. 3.

1 Claim, 6 Drawing Sheets



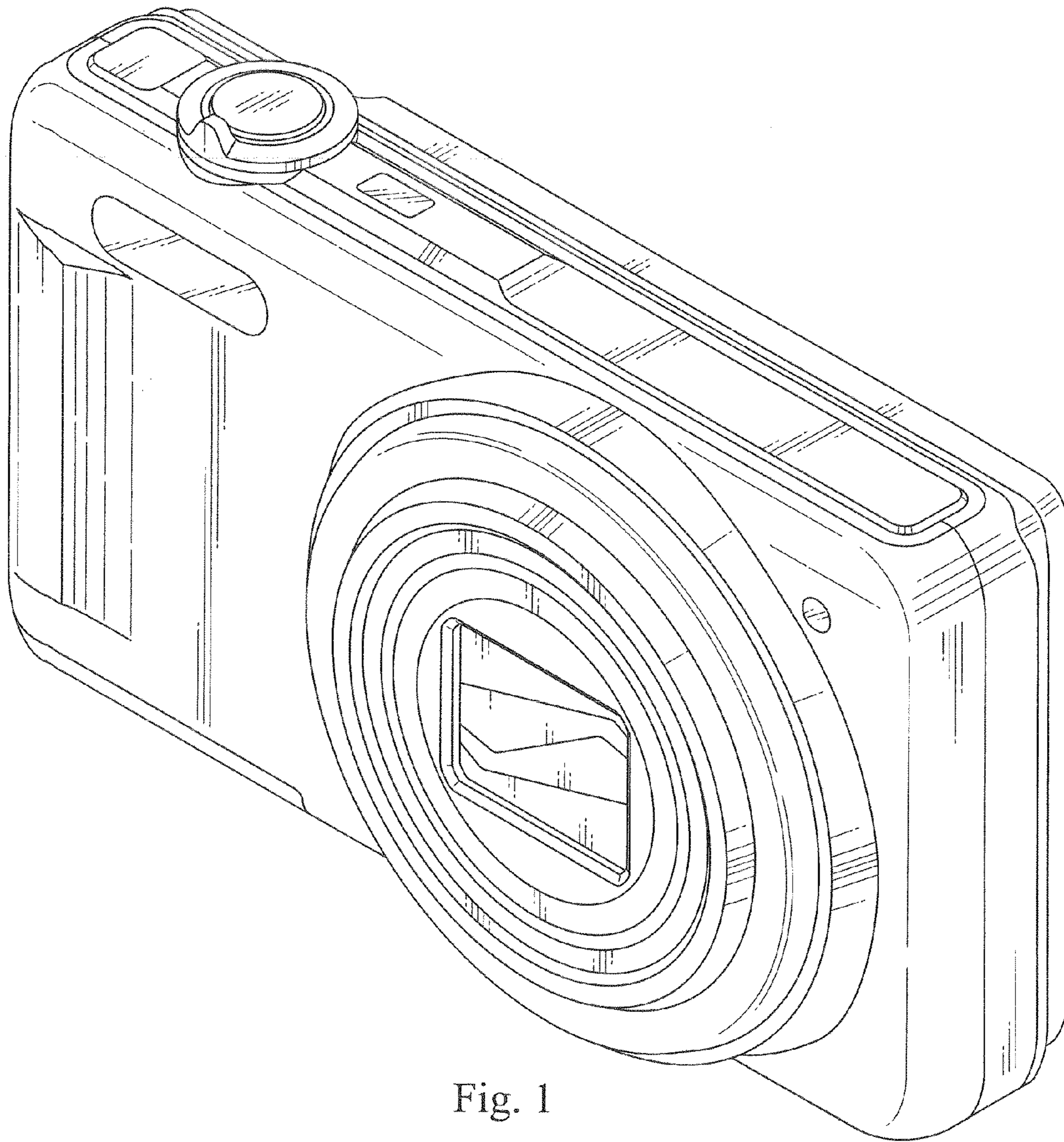


Fig. 1

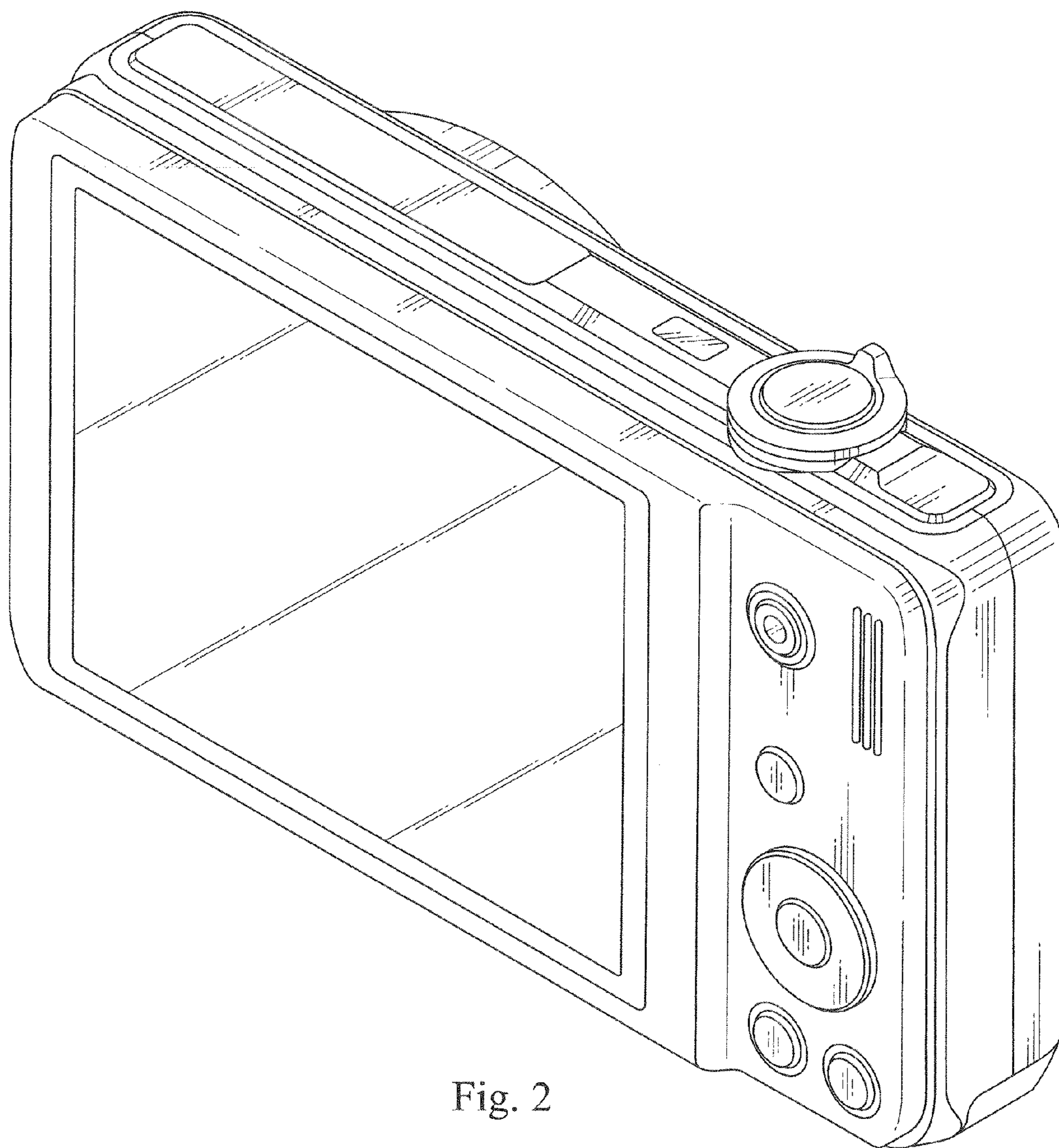


Fig. 2

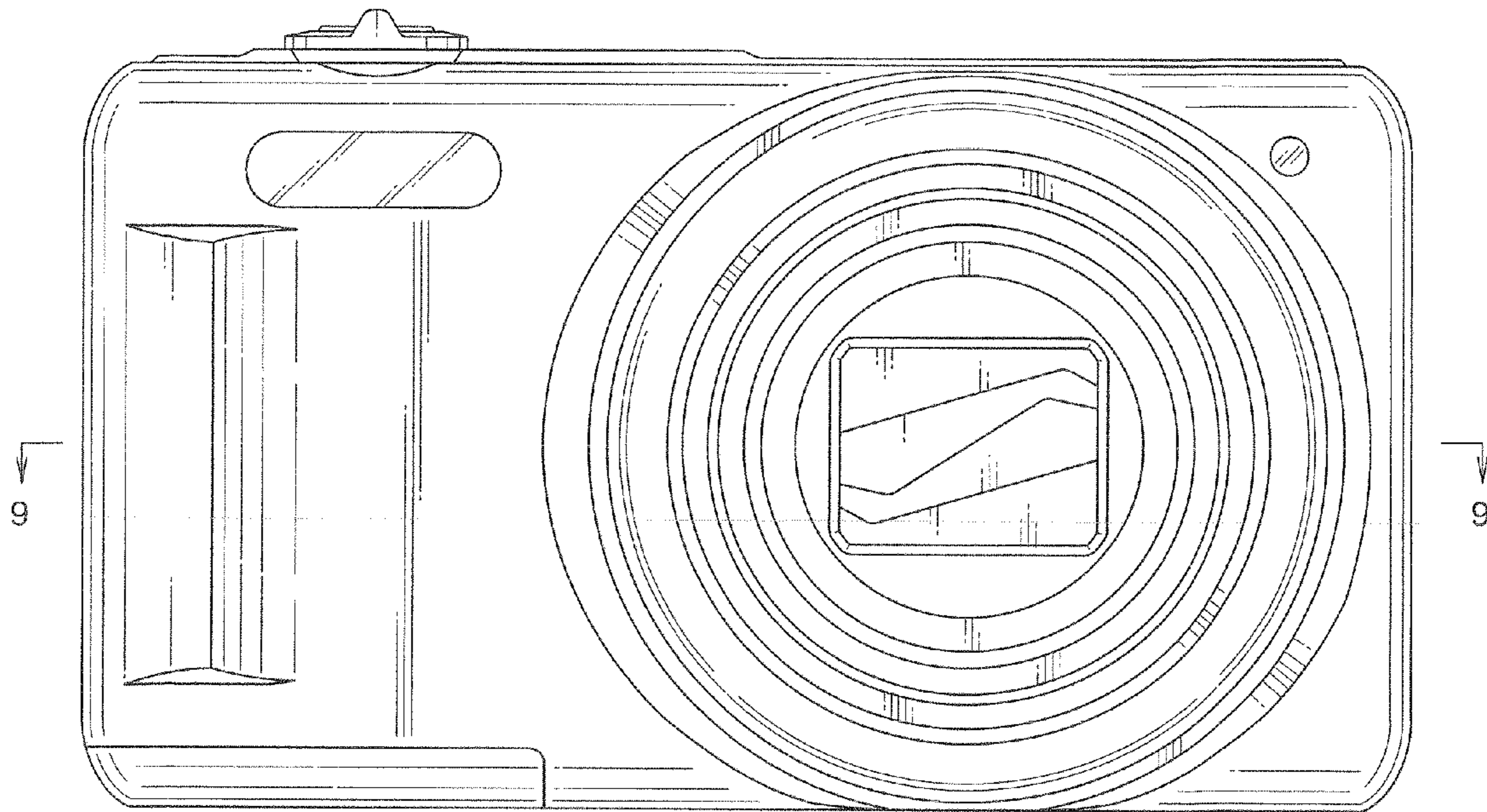


Fig. 3

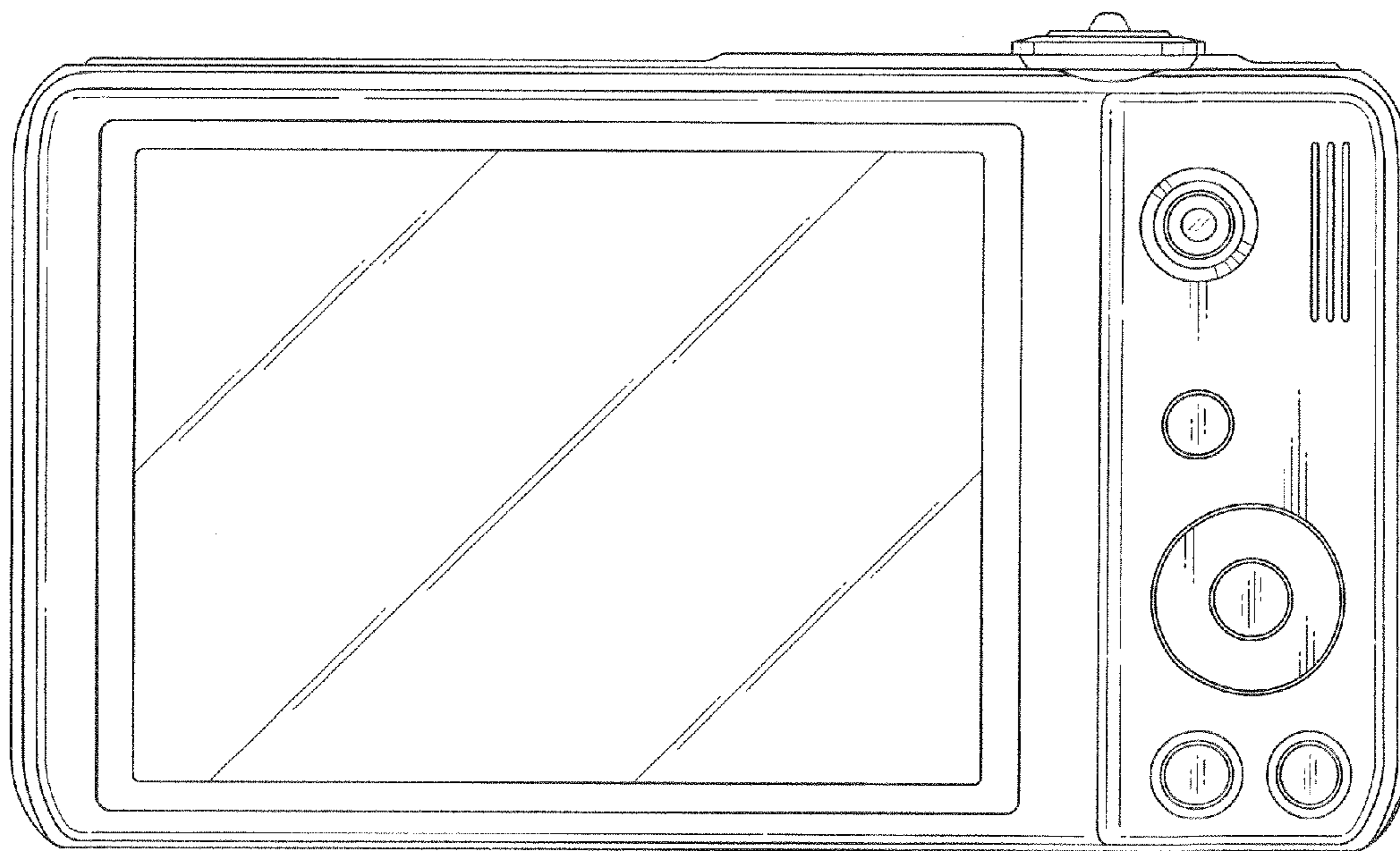


Fig. 4

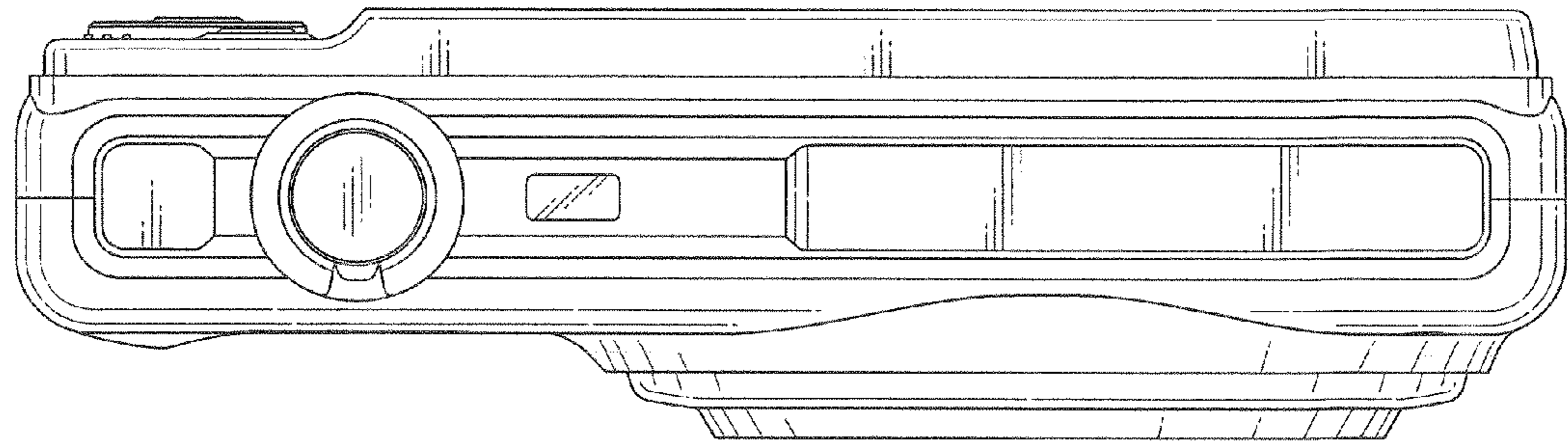


Fig. 5

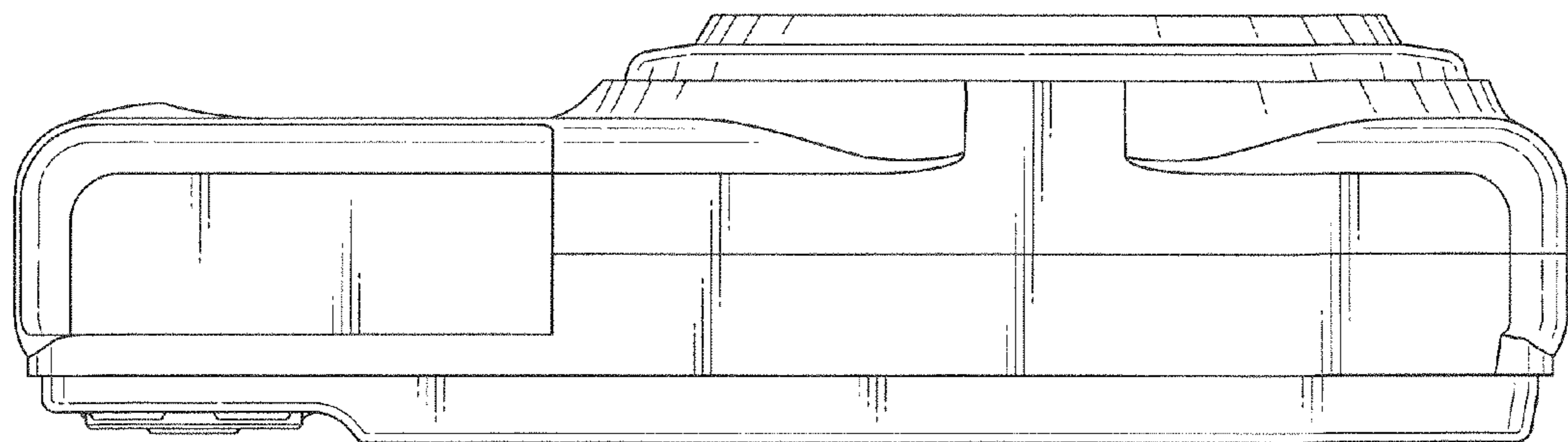


Fig. 6

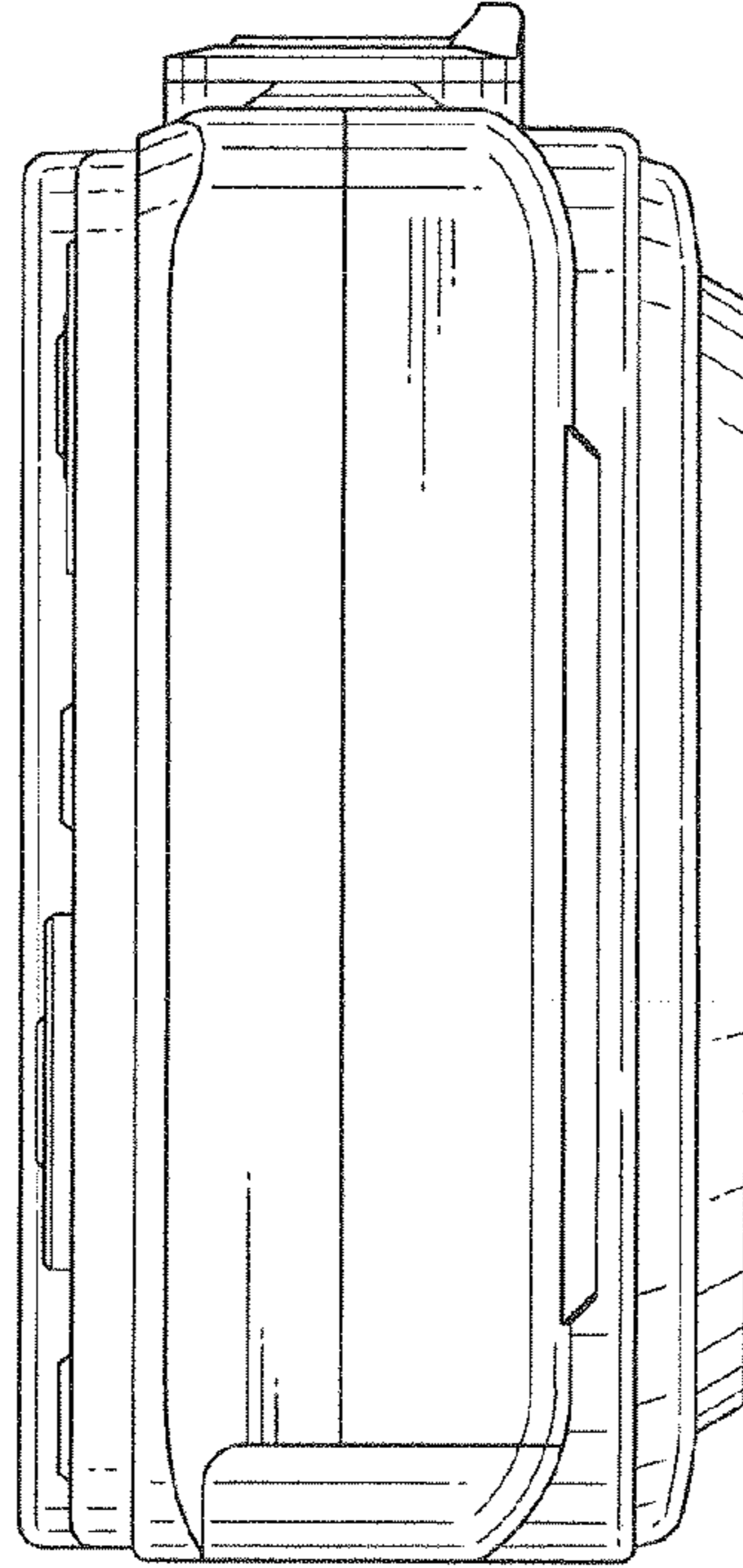


Fig. 7

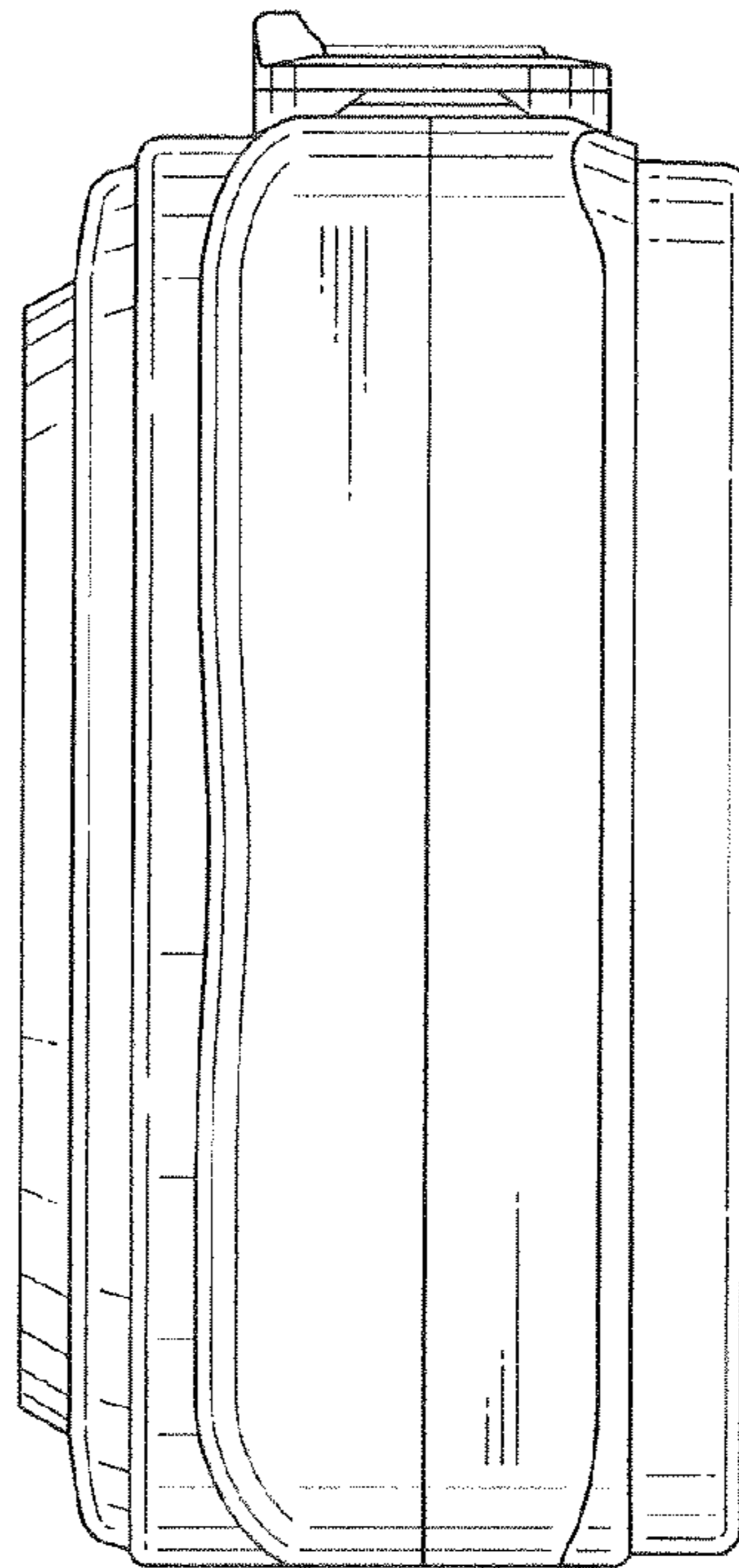


Fig. 8

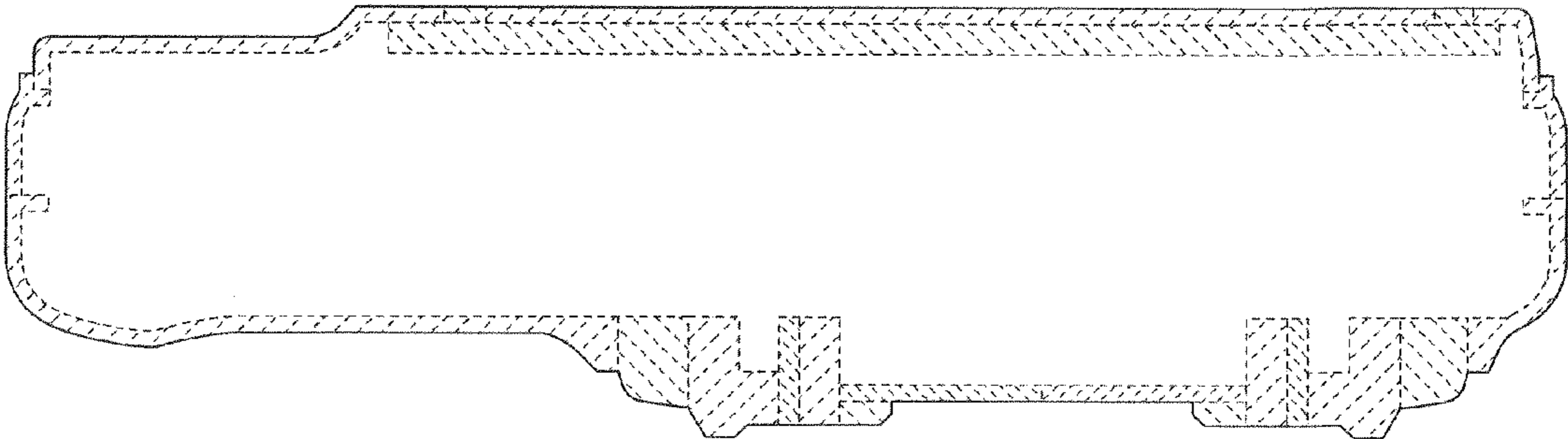


Fig. 9