



US00D641032S

(12) **United States Design Patent**  
**Yoshii**

(10) **Patent No.:** **US D641,032 S**  
(45) **Date of Patent:** **\*\* Jul. 5, 2011**

(54) **DIGITAL CAMERA**

(75) Inventor: **Kazuto Yoshii**, Osaka (JP)

(73) Assignee: **Olympus Imaging Corp.**, Tokyo (JP)

(\*\*) Term: **14 Years**

(21) Appl. No.: **29/384,221**

(22) Filed: **Jan. 28, 2011**

(30) **Foreign Application Priority Data**

Jan. 13, 2011 (JP) ..... 2011-000557

(51) **LOC (9) Cl.** ..... **16-01**

(52) **U.S. Cl.** ..... **D16/202**

(58) **Field of Classification Search** ..... D16/200-204,  
D16/206, 208, 218; 348/373-376; 358/909.1;  
396/6, 535-541

See application file for complete search history.

(56) **References Cited**

**U.S. PATENT DOCUMENTS**

D456,430 S \* 4/2002 Kobayashi et al. .... D16/202  
D528,579 S \* 9/2006 Yasutomi ..... D16/218

D538,831 S \* 3/2007 Watarai ..... D16/202  
D542,822 S \* 5/2007 Senda ..... D16/202  
D555,689 S \* 11/2007 Yoo et al. .... D16/218  
D556,229 S \* 11/2007 Bai ..... D16/202  
D566,739 S \* 4/2008 Shimobayashi ..... D16/202  
D574,869 S \* 8/2008 Baba et al. .... D16/202  
D576,192 S \* 9/2008 Isozaki ..... D16/202  
7,643,085 B2 \* 1/2010 Saiki et al. .... 348/373

\* cited by examiner

*Primary Examiner* — Adir Aronovich

(74) *Attorney, Agent, or Firm* — Holtz, Holtz, Goodman & Chick, PC

(57) **CLAIM**

The ornamental design for a digital camera, as shown.

**DESCRIPTION**

FIG. 1 is a front perspective view of a digital camera, showing my new design;

FIG. 2 is a rear perspective view thereof;

FIG. 3 is a front elevational view thereof;

FIG. 4 is a rear elevational view thereof;

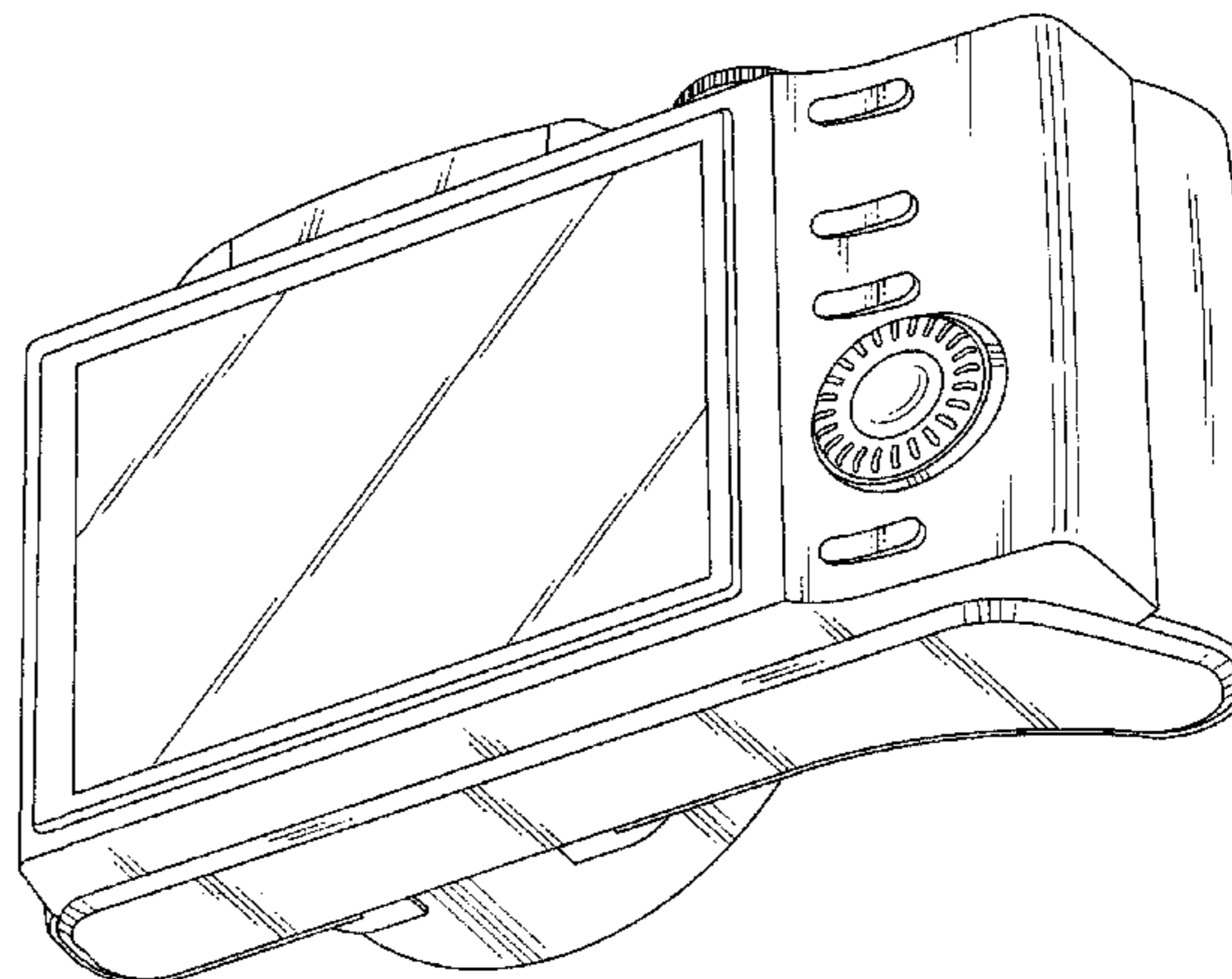
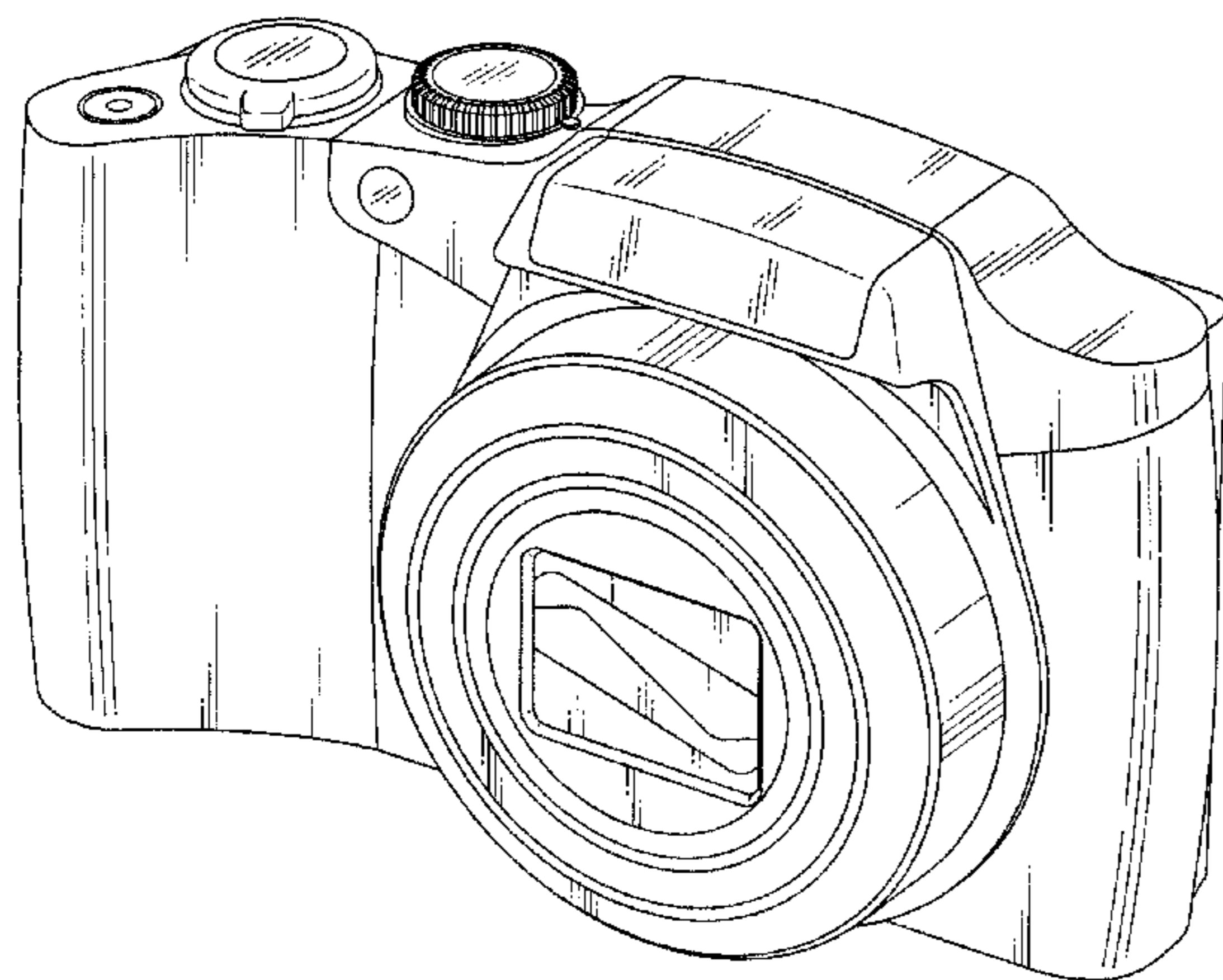
FIG. 5 is a top plan view hereof;

FIG. 6 is a bottom plan view thereof;

FIG. 7 is a right side elevational view thereof; and,

FIG. 8 is a left side elevational view thereof.

**1 Claim, 5 Drawing Sheets**



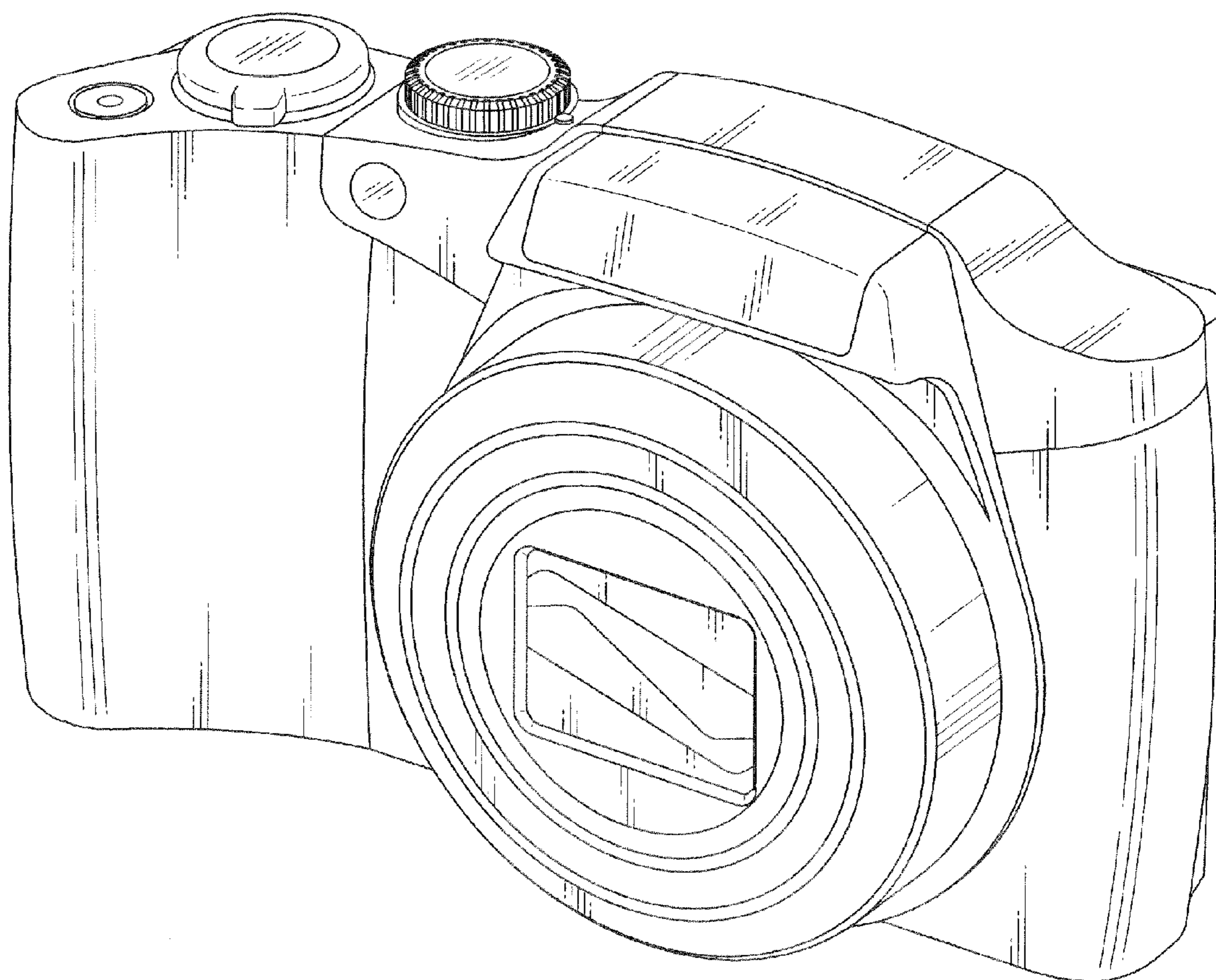


Fig. 1

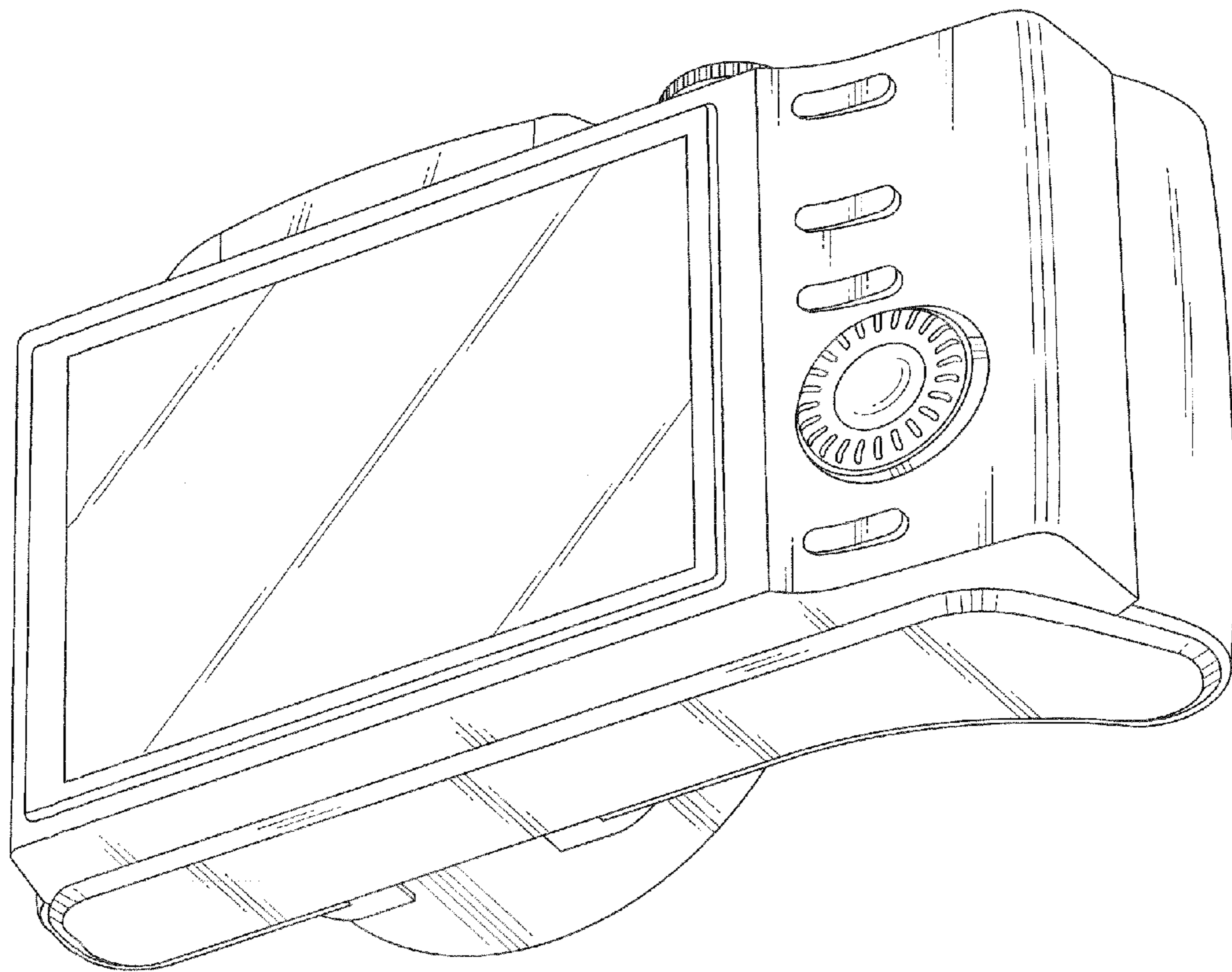


Fig. 2



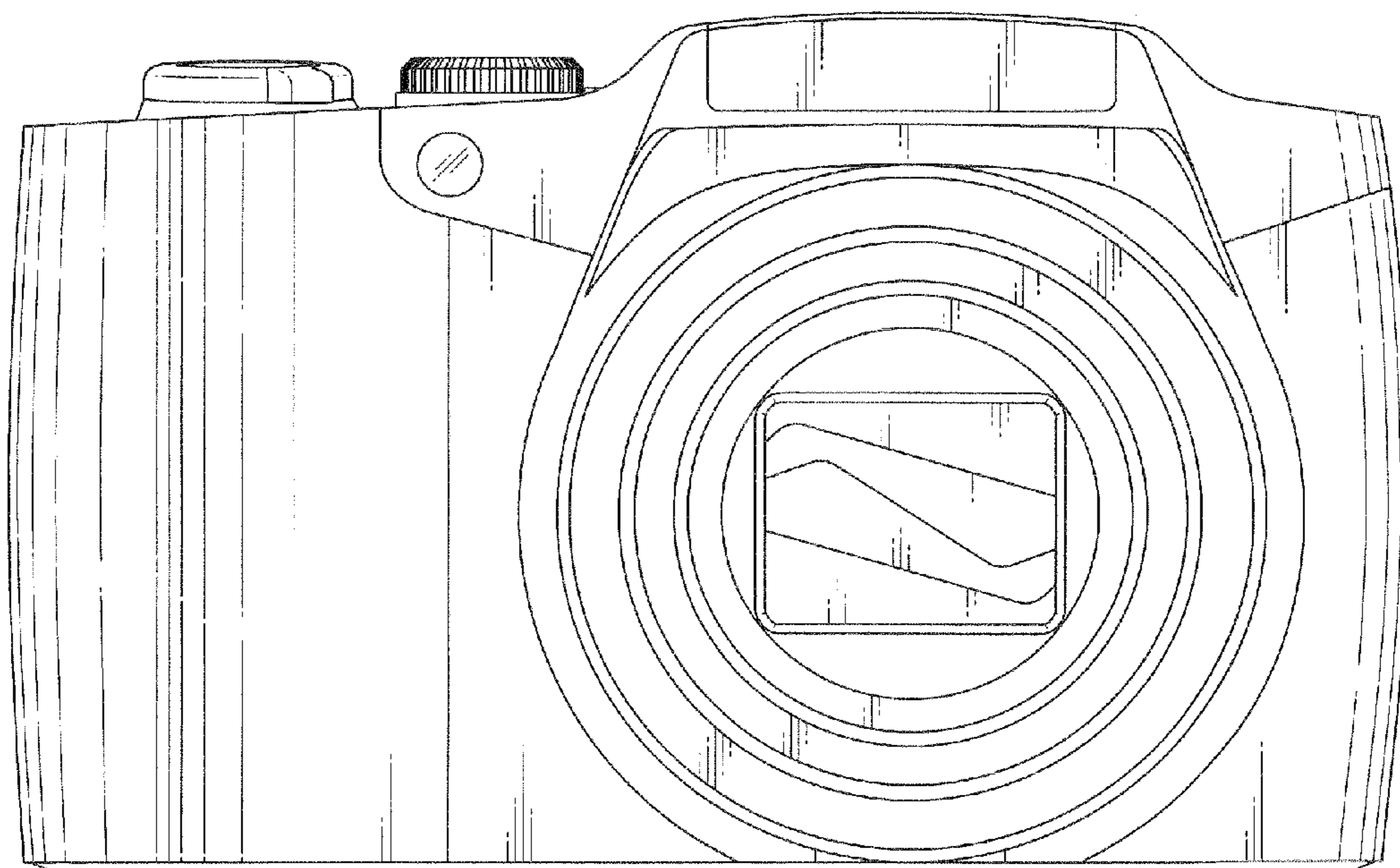


Fig. 3

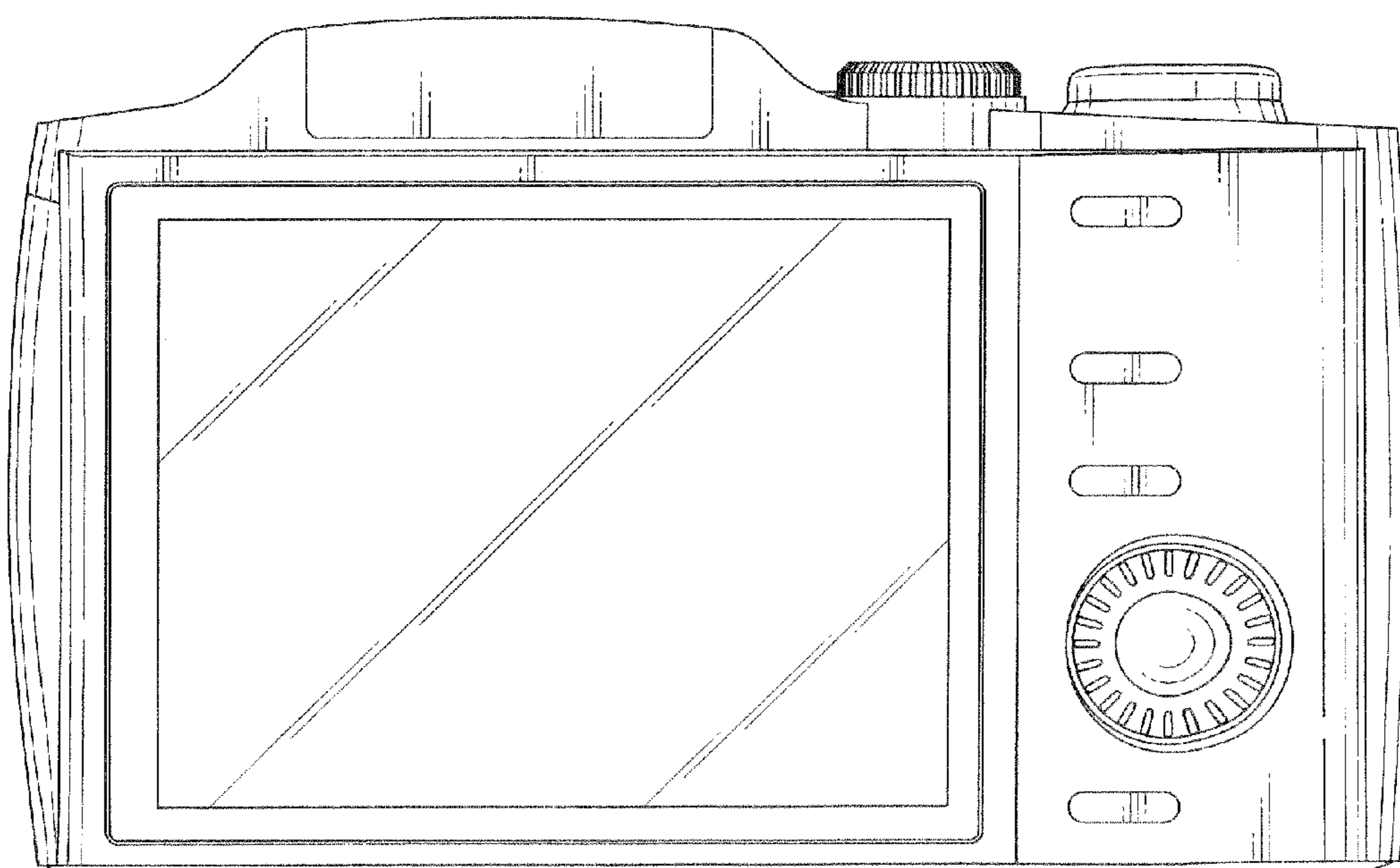


Fig. 4

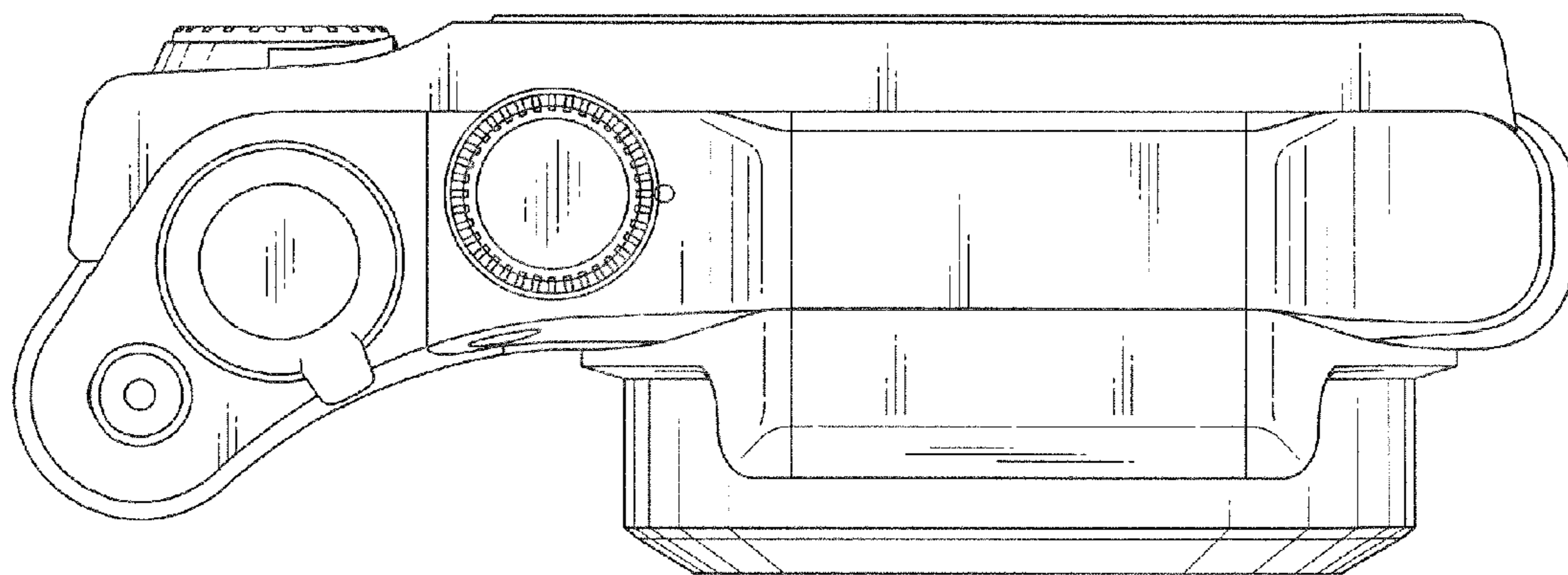


Fig. 5

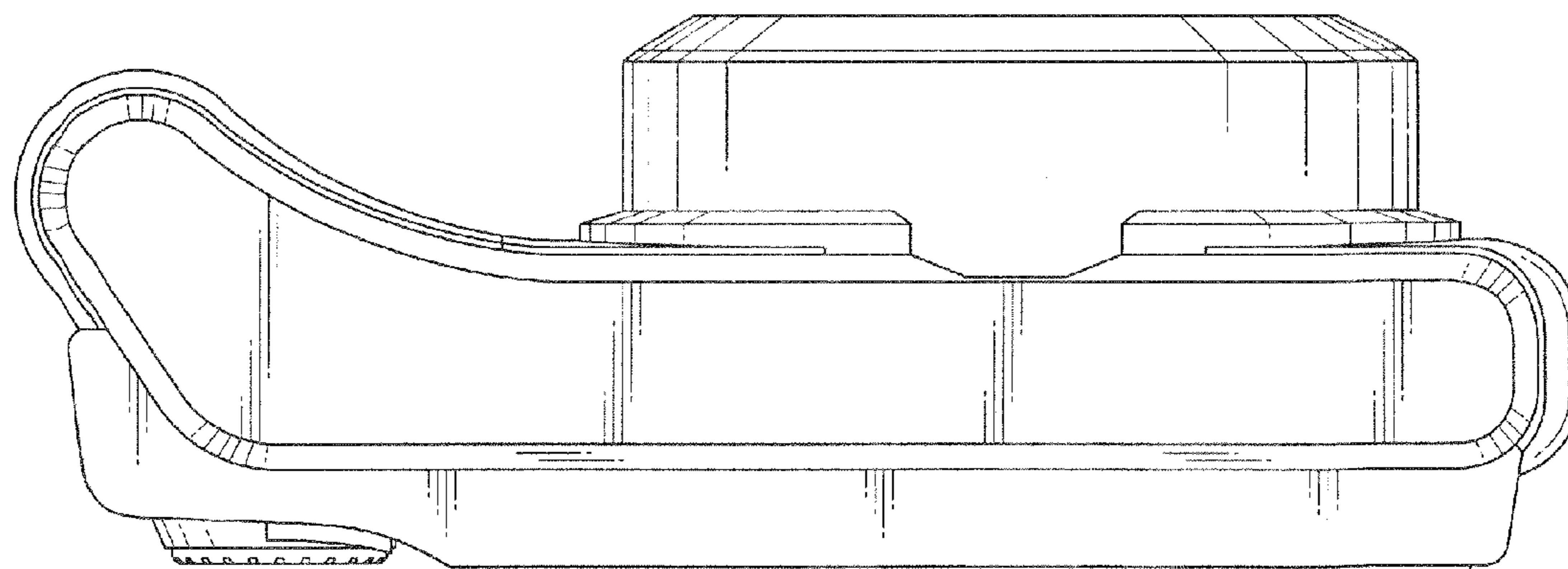


Fig. 6

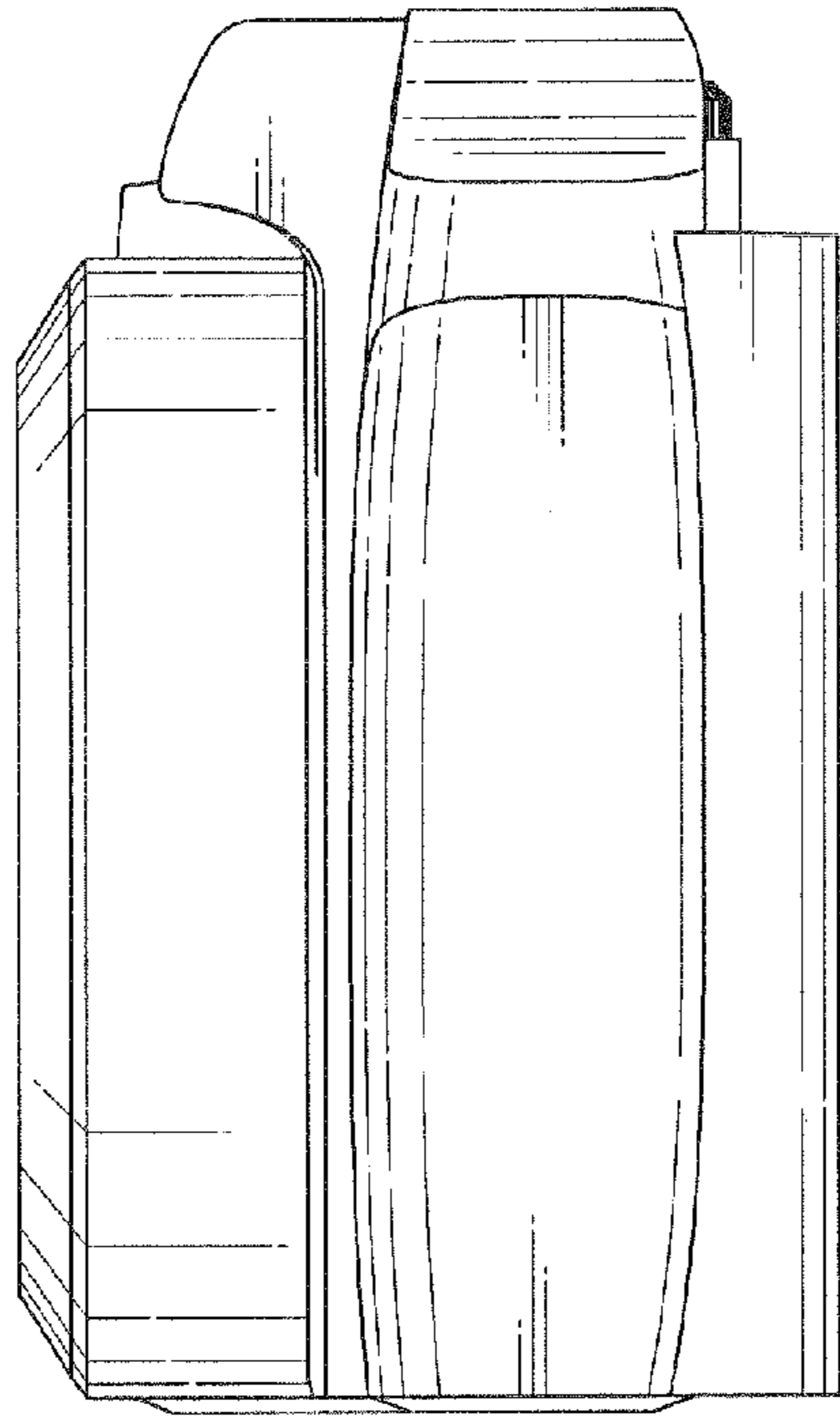


Fig. 7

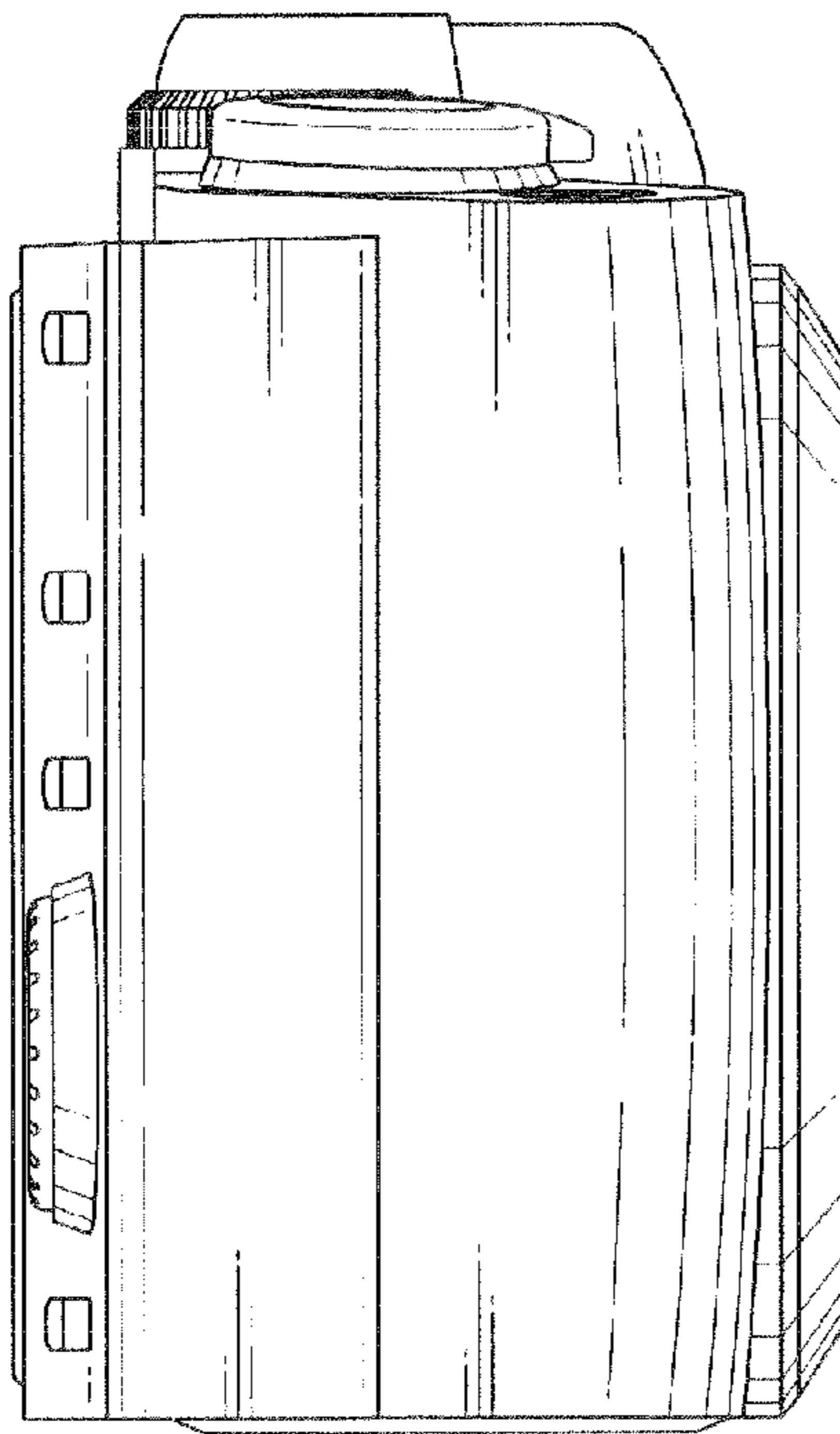


Fig. 8