



US00D641028S

(12) **United States Design Patent**
Mack

(10) **Patent No.:** **US D641,028 S**

(45) **Date of Patent:** **** Jul. 5, 2011**

(54) **LAND VEHICLE**

(75) Inventor: **Manfred Mack**, DE-Salem (DE)

(73) Assignee: **KRAMER-WERKE GmbH**,
Pfullendorf (DE)

(**) Term: **14 Years**

(21) Appl. No.: **29/371,190**

(22) Filed: **Nov. 17, 2010**

(30) **Foreign Application Priority Data**

May 17, 2010 (EM) 001708371

(51) **LOC (9) Cl.** **12-09**

(52) **U.S. Cl.** **D15/23**

(58) **Field of Classification Search** D15/10,
D15/22-26; D34/28, 34; 37/407, 442; 414/685,
414/694, 722; 180/89.1, 89.12

See application file for complete search history.

(56) **References Cited**

U.S. PATENT DOCUMENTS

3,805,908	A *	4/1974	Thompson	180/235
D271,397	S	11/1983	Kuhn et al.		
D297,539	S	9/1988	Morita et al.		
5,199,861	A	4/1993	Merlo et al.		
D353,704	S	12/1994	Bhambra		
D366,489	S *	1/1996	Brown	D15/22
5,778,569	A	7/1998	Schaeff		
D412,506	S *	8/1999	Boyer et al.	D15/25
D438,359	S	2/2001	Braud		
D460,085	S *	7/2002	Crookes et al.	D15/25

D461,831	S	8/2002	Laberheim et al.		
D463,805	S *	10/2002	Witte et al.	D15/23
D464,661	S	10/2002	Dahl et al.		
D598,030	S	8/2009	Schell et al.		
D604,748	S *	11/2009	Schmidt	D15/23
D609,721	S	2/2010	Schmidt		
D609,722	S	2/2010	Schmidt		
D609,723	S	2/2010	Schmidt		
D610,168	S	2/2010	Schmidt		
D610,169	S	2/2010	Schmidt		
D610,170	S	2/2010	Schmidt		
D610,171	S *	2/2010	Schmidt	D15/23

* cited by examiner

Primary Examiner — Mark Goodwin

(74) *Attorney, Agent, or Firm* — Breneman & Georges

(57) **CLAIM**

The ornamental design for a land vehicle, as shown and described.

DESCRIPTION

FIG. 1 is a left side elevational view of a land vehicle showing my new design;

FIG. 2 is an end elevational view thereof;

FIG. 3 is a right side elevational view thereof;

FIG. 4 is an opposite end elevational view thereof;

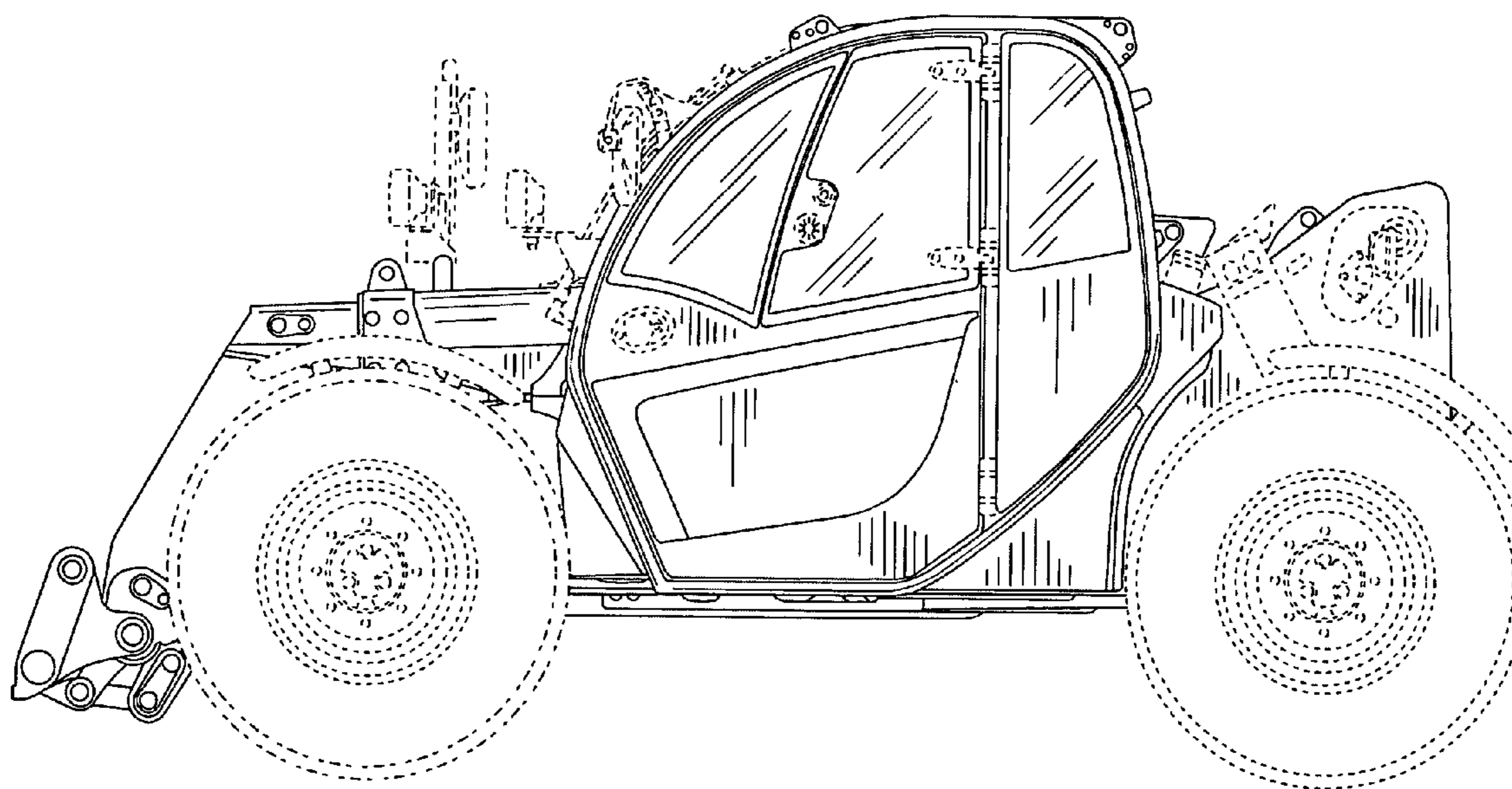
FIG. 5 is a perspective view thereof;

FIG. 6 is a top plan view thereof; and,

FIG. 7 is a bottom plan view thereof.

In the drawings, the broken lines showing tires, wheels, fenders, mirrors, windshield wiper, and accessories depict environmental subject matter and forms no part of the claim.

1 Claim, 7 Drawing Sheets



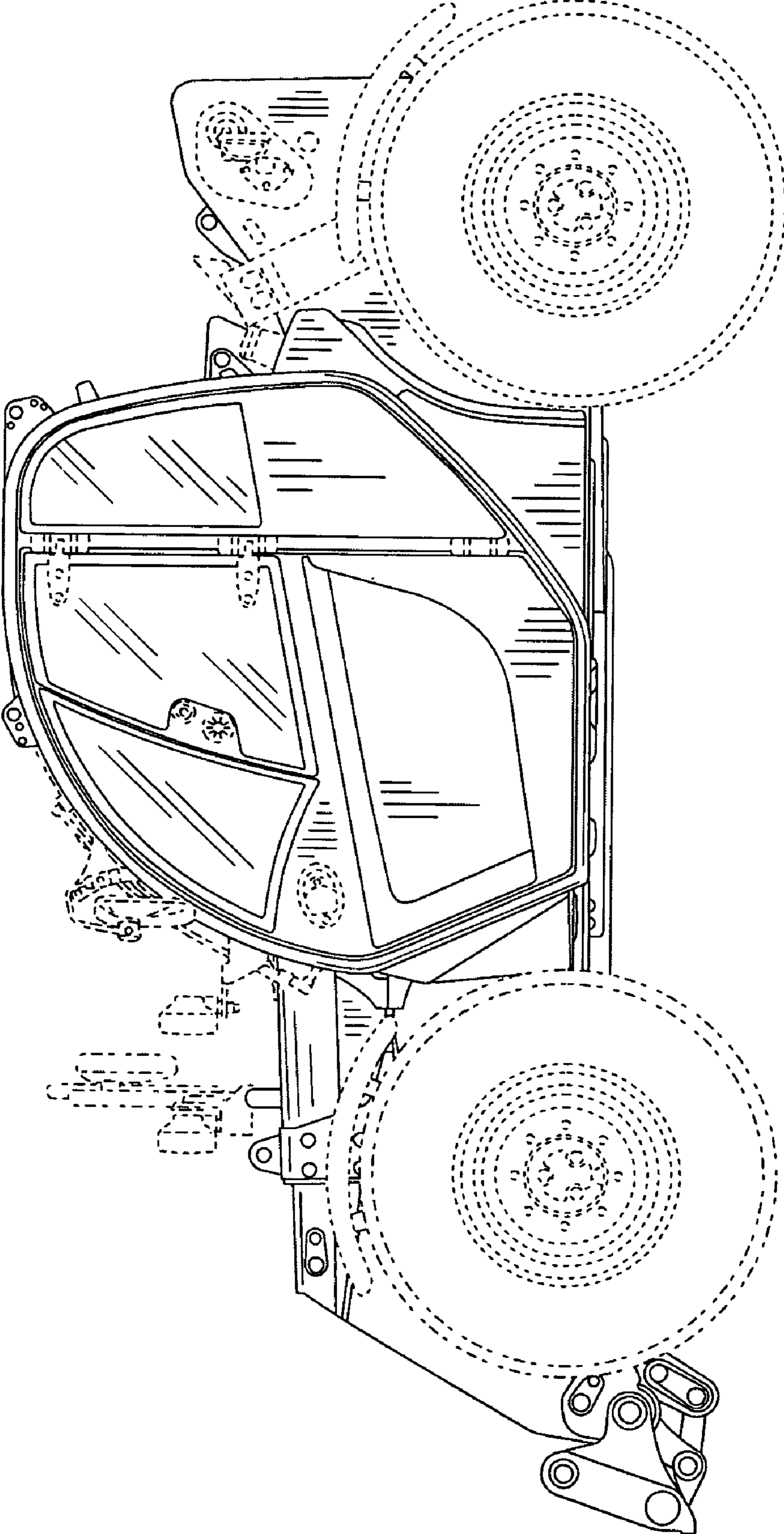


Fig. 1

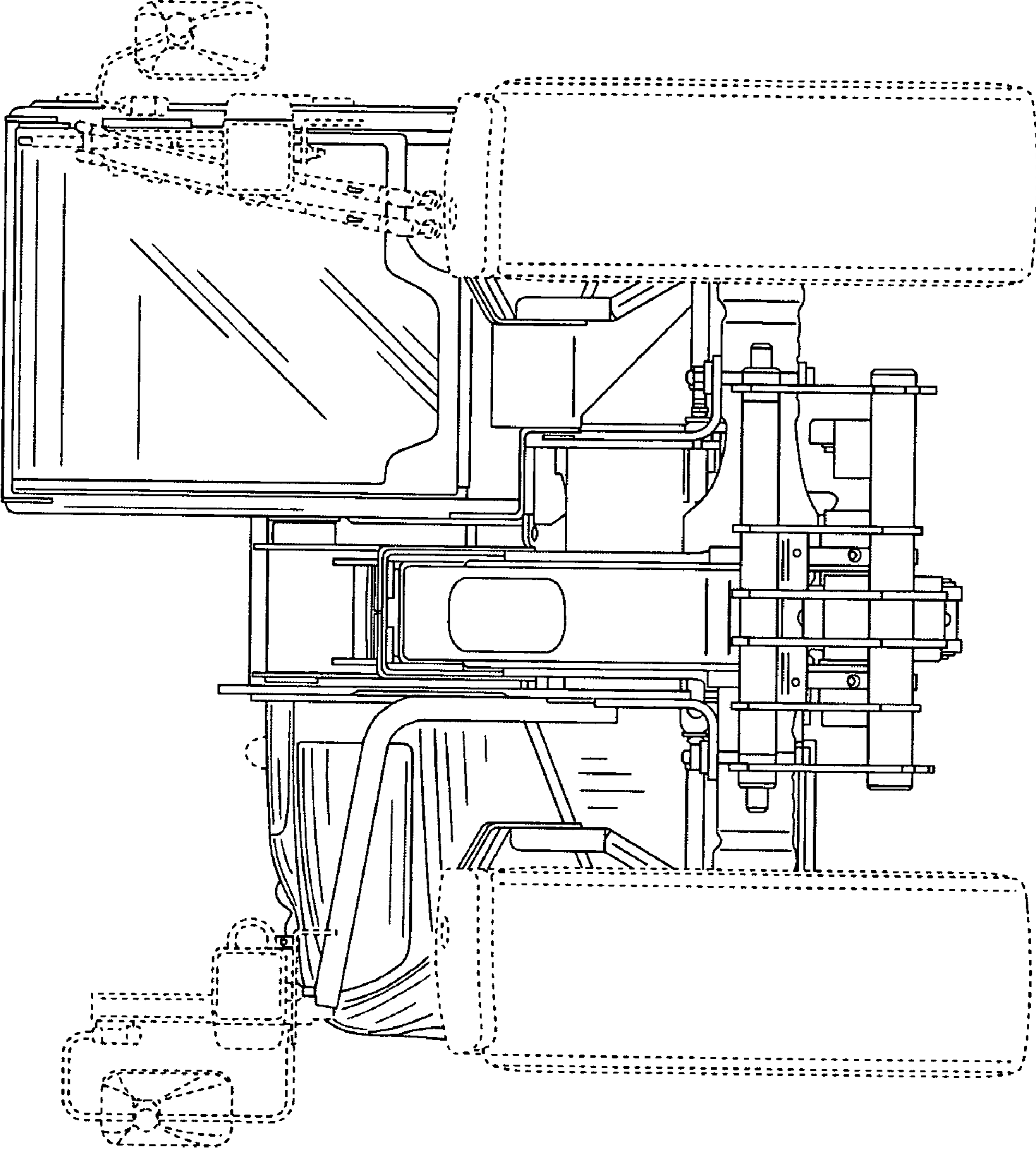


Fig. 2

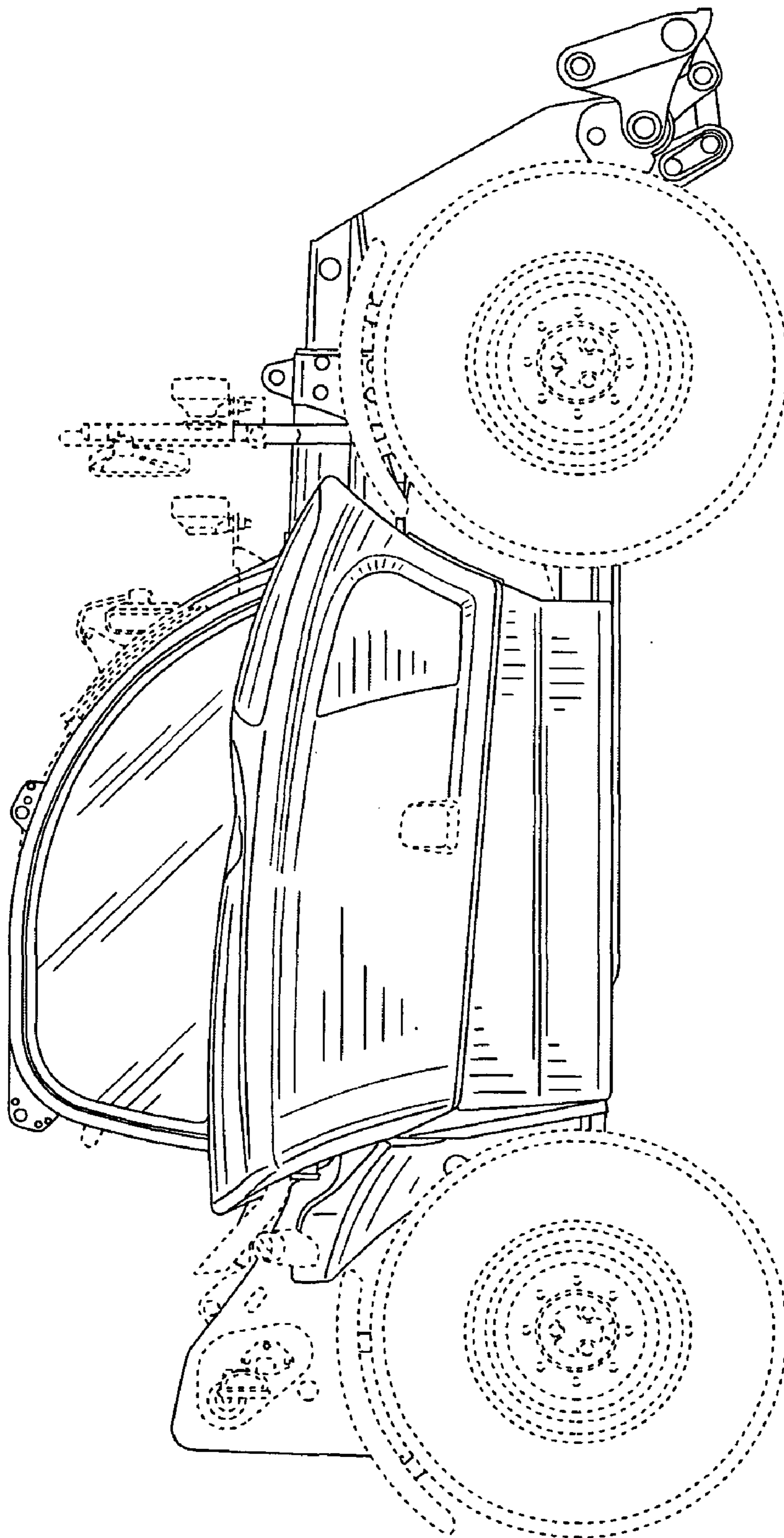


Fig. 3

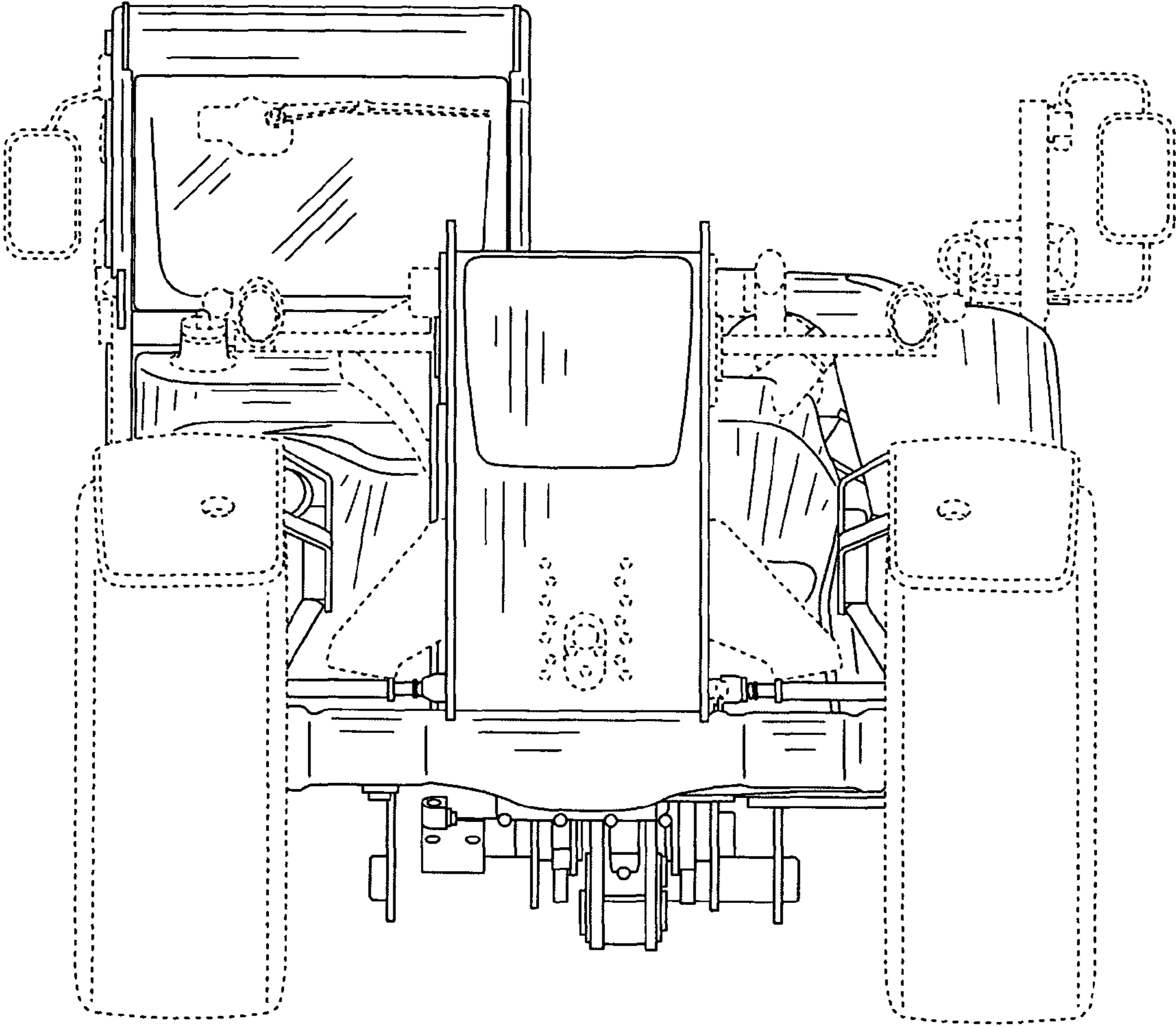


Fig. 4

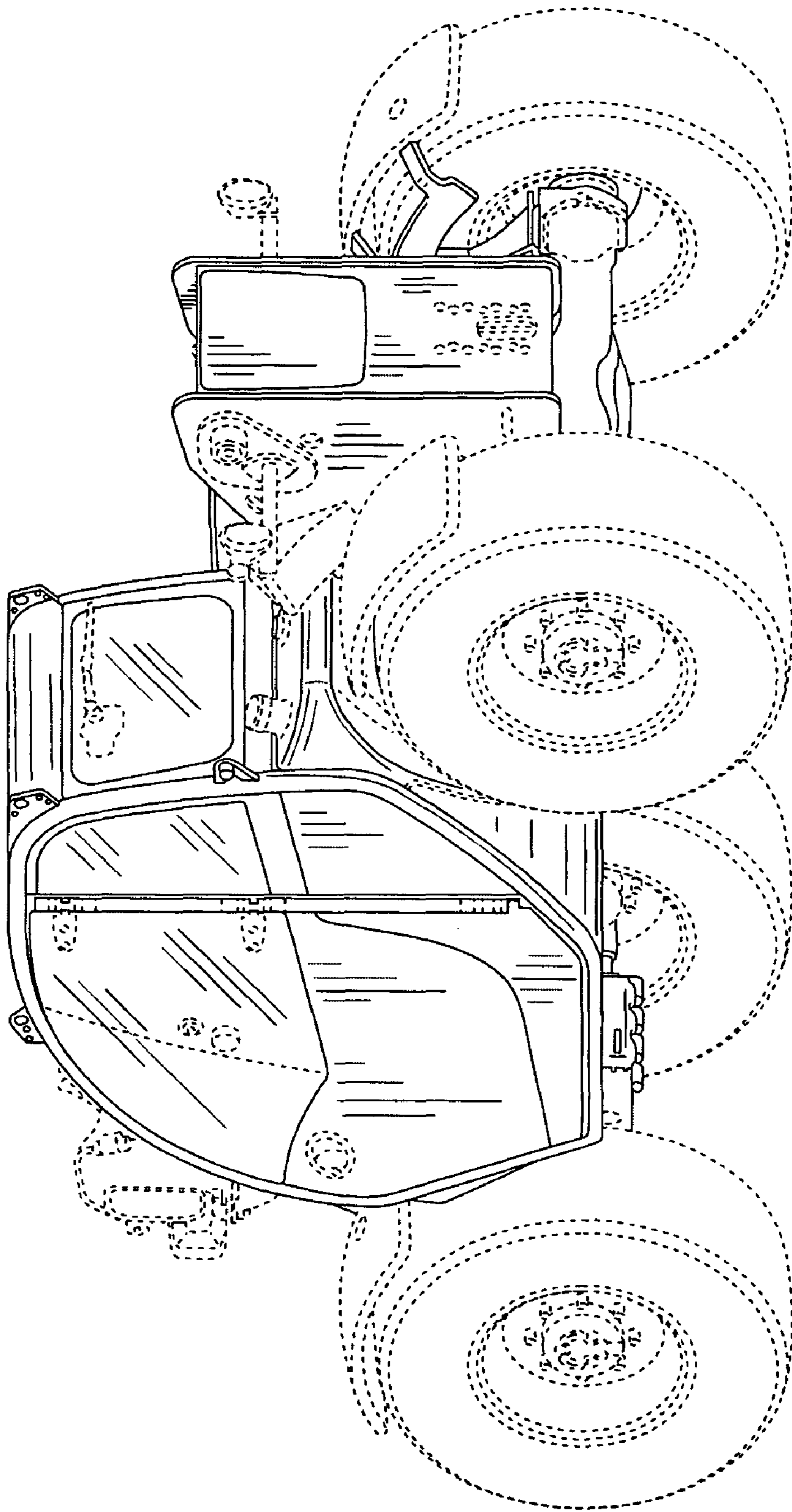


Fig. 5

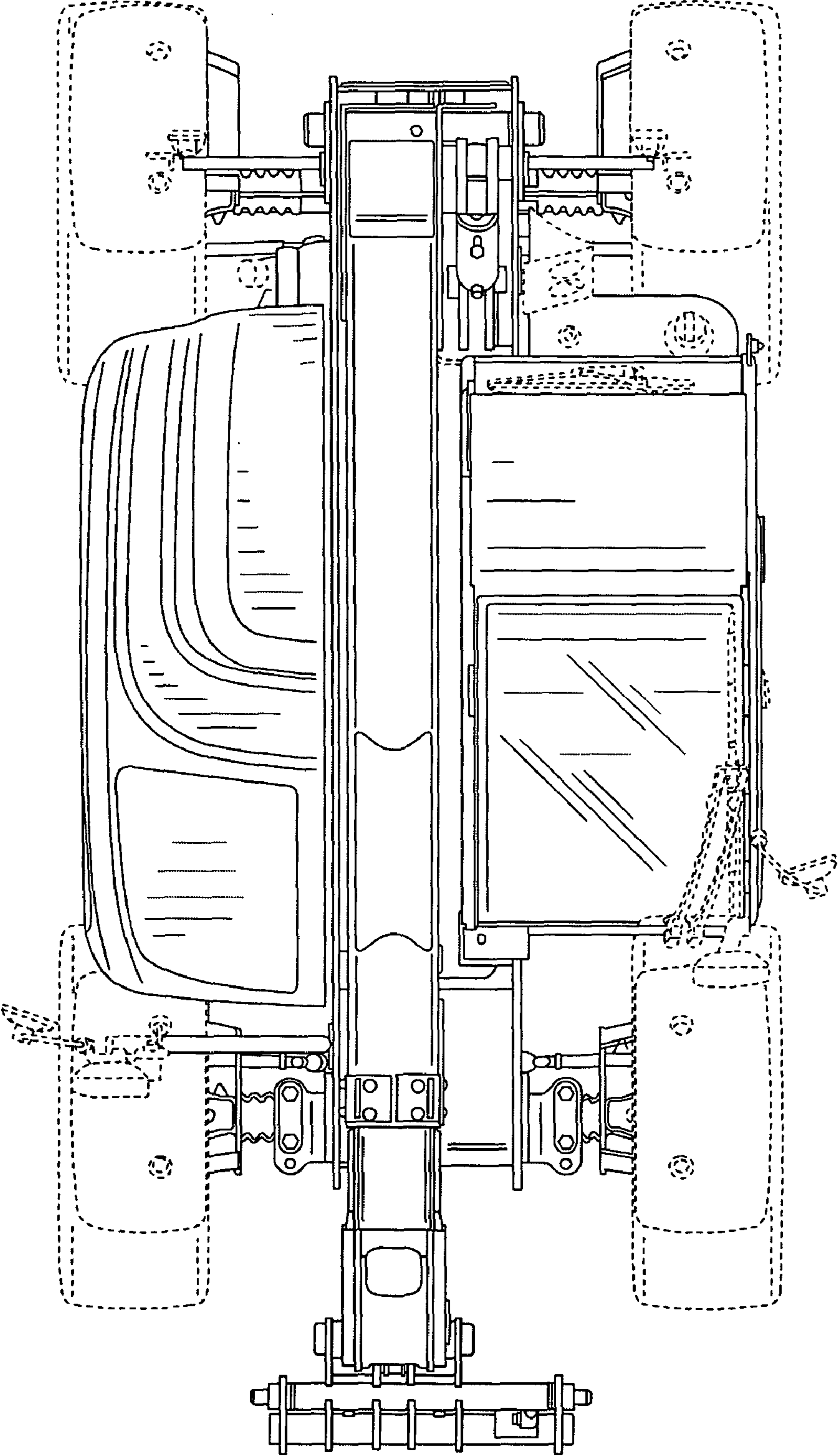


Fig. 6

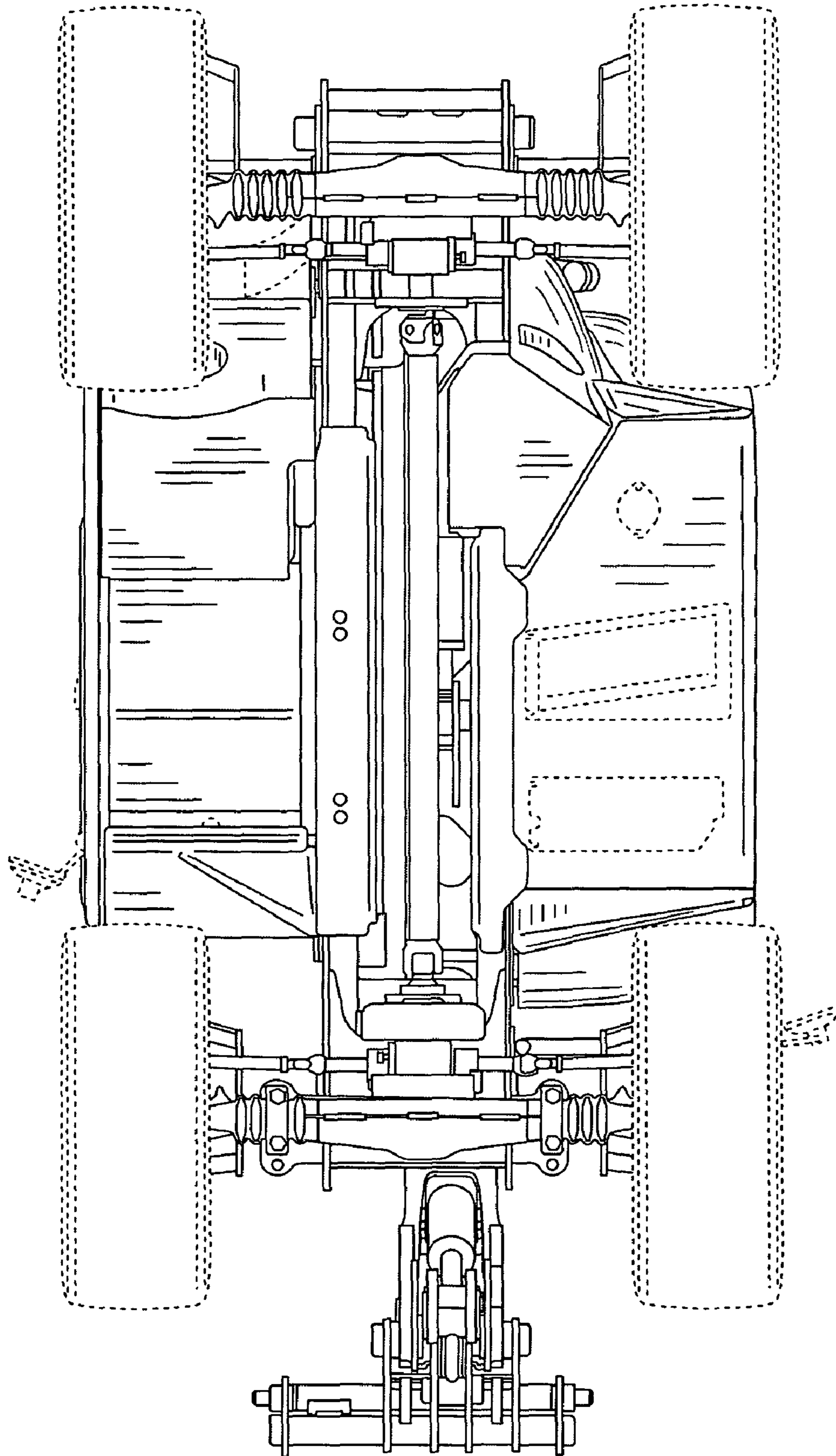


Fig. 7