



US00D641027S

(12) **United States Design Patent**  
**Kawashiri et al.**

(10) **Patent No.:** **US D641,027 S**  
(45) **Date of Patent:** **\*\* Jul. 5, 2011**

(54) **TRACTOR**

(75) Inventors: **Shinya Kawashiri**, Osaka (JP); **Shigemi Hidaka**, Osaka (JP)

(73) Assignee: **Yanmar Co., Ltd.**, Osaka-shi, Osaka (JP)

(\*\*) Term: **14 Years**

(21) Appl. No.: **29/346,210**

(22) Filed: **Oct. 28, 2009**

(30) **Foreign Application Priority Data**

May 1, 2009 (JP) ..... 2009-010058

(51) **LOC (9) Cl.** ..... **12-09**

(52) **U.S. Cl.** ..... **D15/23; D15/26**

(58) **Field of Classification Search** ..... D15/10,  
D15/14-17, 22-26; 56/13.4, 13.3, 15.8,  
56/15.9, 16.1, 16.7, 175, 202; 180/89.1,  
180/89.12, 900

See application file for complete search history.

(56) **References Cited**

**U.S. PATENT DOCUMENTS**

D247,624 S *	3/1978	Emundts et al.	.....	D15/23
D256,017 S *	7/1980	Emundts et al.	.....	D15/23
D274,524 S *	7/1984	Koval et al.	.....	D15/23
D329,435 S *	9/1992	Kato et al.	.....	D15/23
D387,068 S *	12/1997	Kato et al.	.....	D15/23
D391,581 S *	3/1998	Kato et al.	.....	D15/23
D440,234 S *	4/2001	Kato et al.	.....	D15/23
D498,245 S *	11/2004	Kuwae et al.	.....	D15/23
D519,130 S *	4/2006	Higashikawa et al.	.....	D15/23
D519,131 S *	4/2006	Kuwae et al.	.....	D15/23

D527,026 S *	8/2006	Kuwae et al.	.....	D15/23
D555,674 S *	11/2007	Kuwae et al.	.....	D15/23
D564,544 S *	3/2008	Higashikawa et al.	.....	D15/23
D602,047 S *	10/2009	Kushita et al.	.....	D15/23
D604,749 S *	11/2009	Kushita et al.	.....	D15/23

**OTHER PUBLICATIONS**

Office Action from the Japan Patent Office re: Japanese Design Application No. 2009-010058, dated Dec. 11, 2009, and English translation thereof.

Yanmar Tractor "EG200 series", <http://www.yanmar.co.jp/aboutus/whats-new/news-release/0707/conts01.html>, dated Aug. 16, 2007 and English translation thereof.

\* cited by examiner

*Primary Examiner* — Mark Goodwin

(74) *Attorney, Agent, or Firm* — Sterne, Kessler, Goldstein & Fox P.L.L.C.

(57) **CLAIM**

The ornamental design for a tractor, as shown and described.

**DESCRIPTION**

FIG. 1 is a front perspective view of a tractor showing our new design;

FIG. 2 is a rear perspective view thereof;

FIG. 3 is a right side view thereof;

FIG. 4 is a left side view thereof;

FIG. 5 is a top plan view thereof;

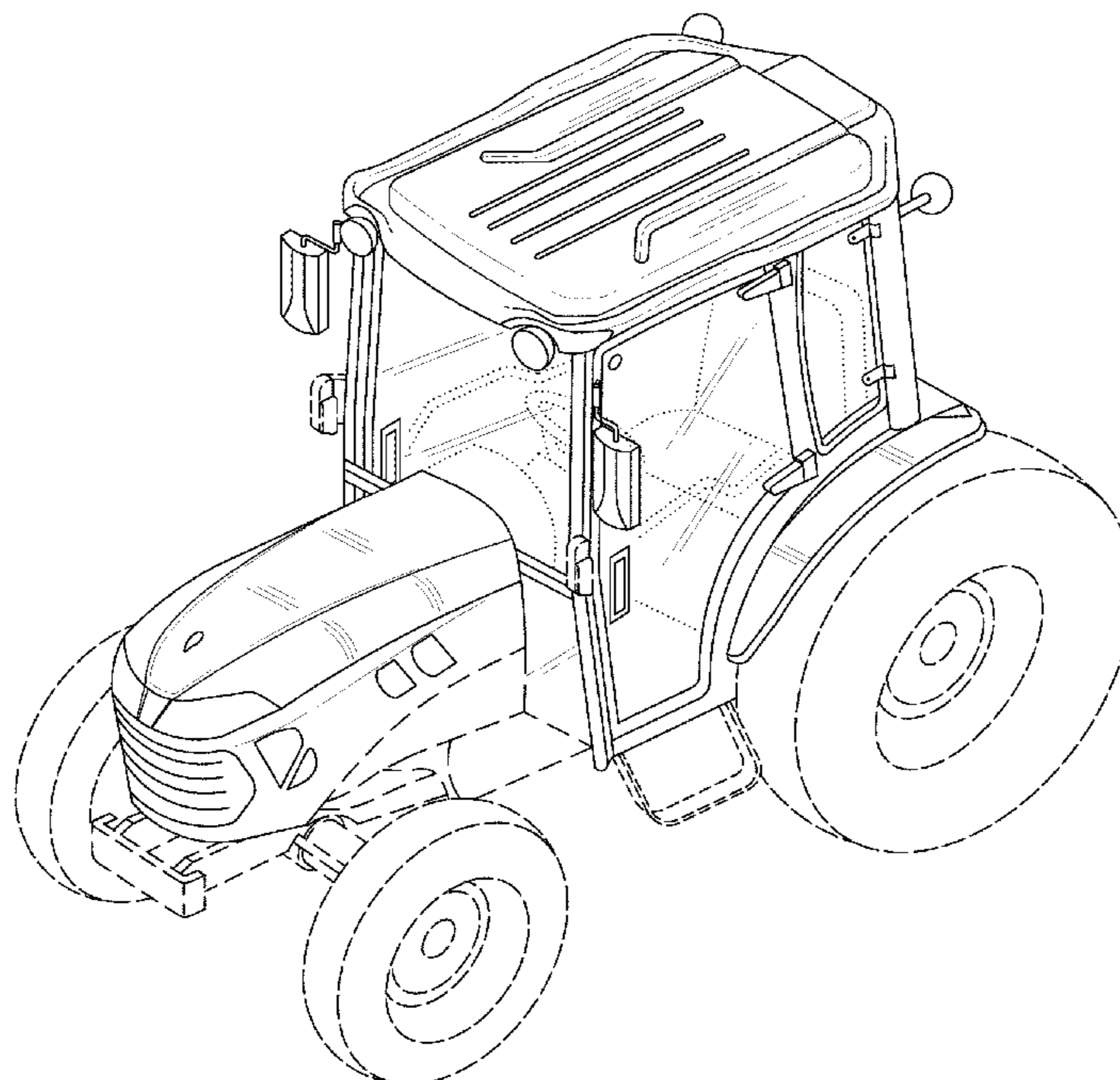
FIG. 6 is a front view thereof; and,

FIG. 7 is a rear view thereof.

The bottom view forms no part of the claimed design.

The dashed broken lines and the dotted lines in the Figures are included for the purpose of illustrating portions of the tractor that form no part of the claimed design.

**1 Claim, 7 Drawing Sheets**



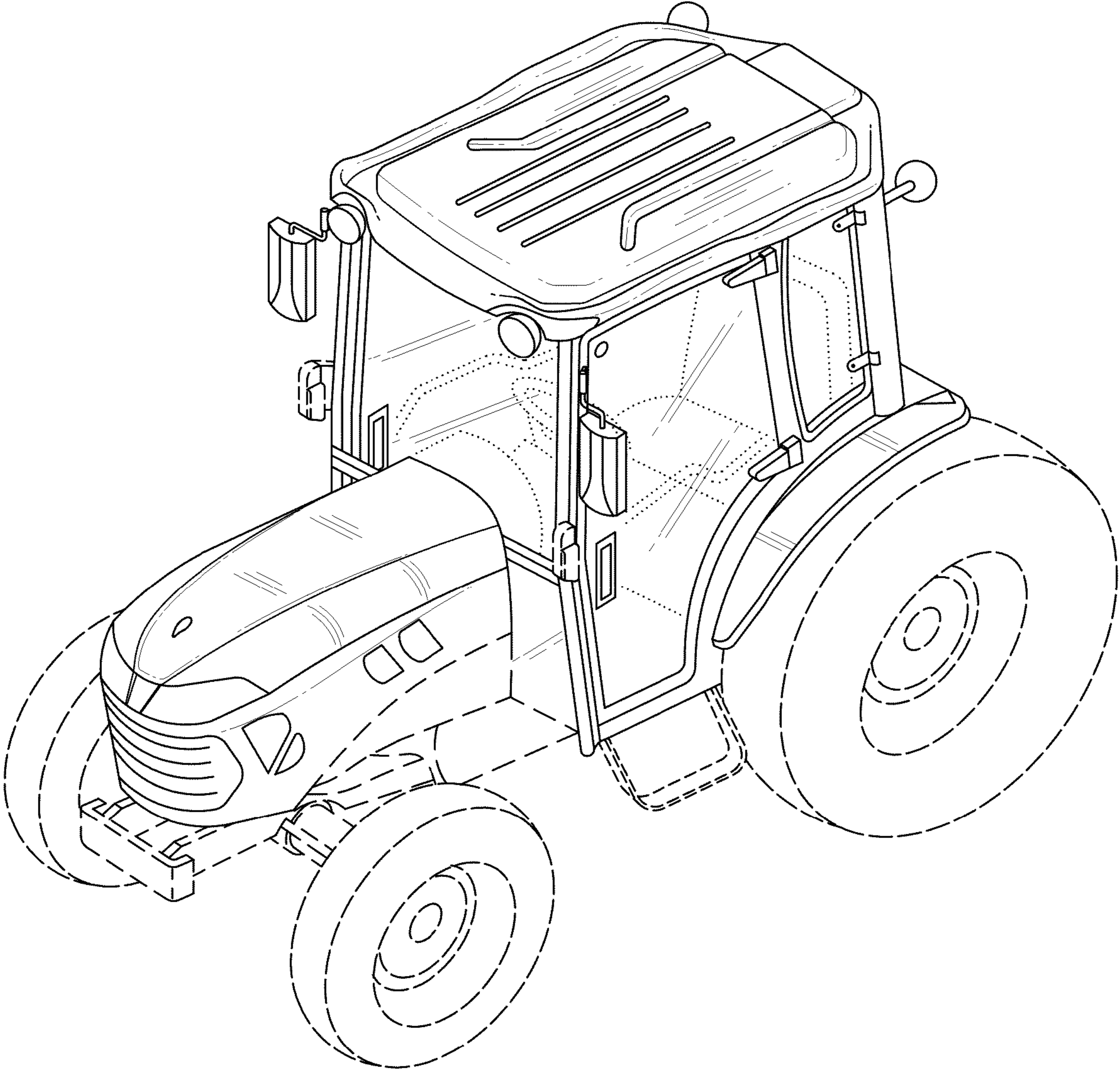


FIG. 1

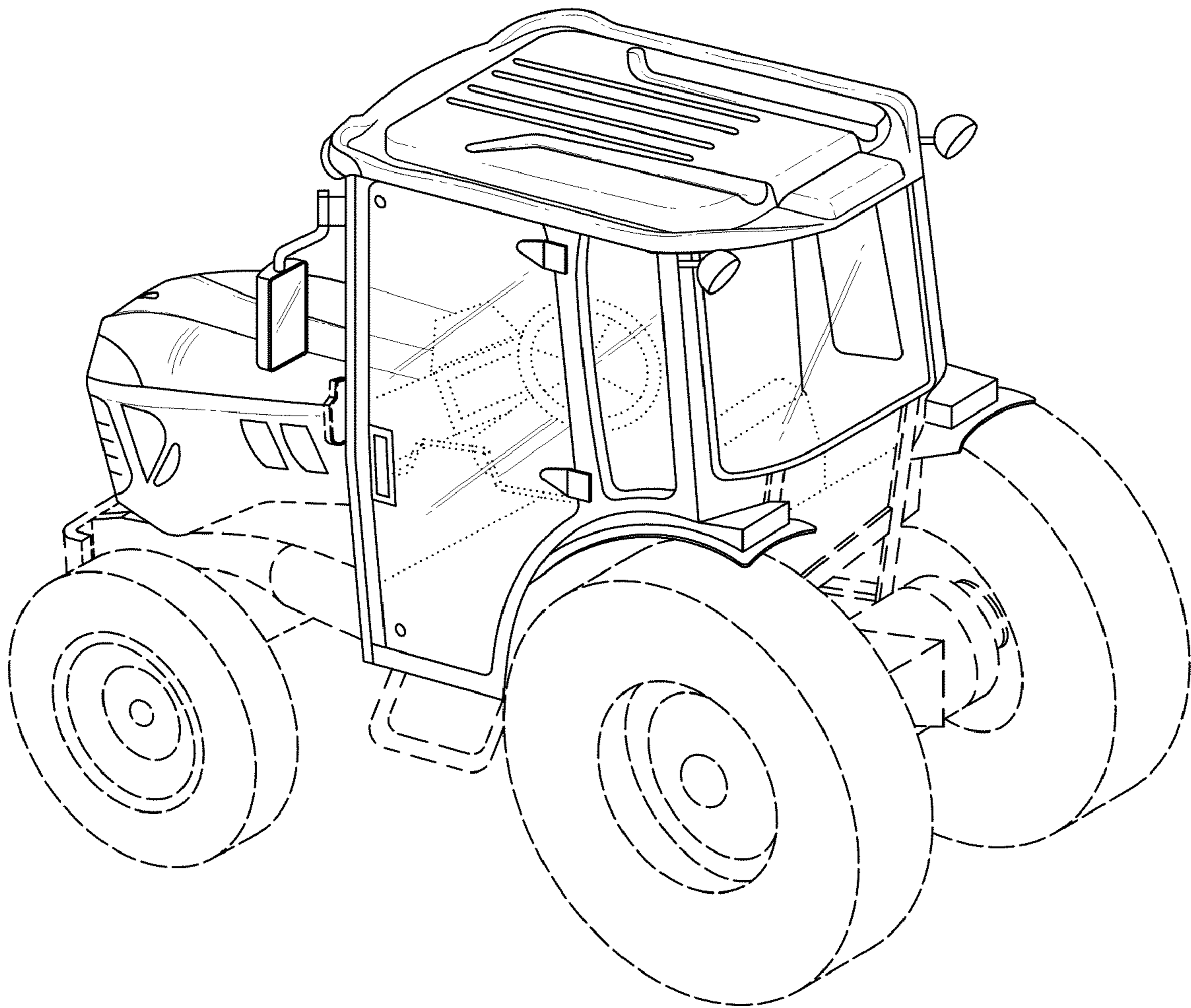


FIG.2

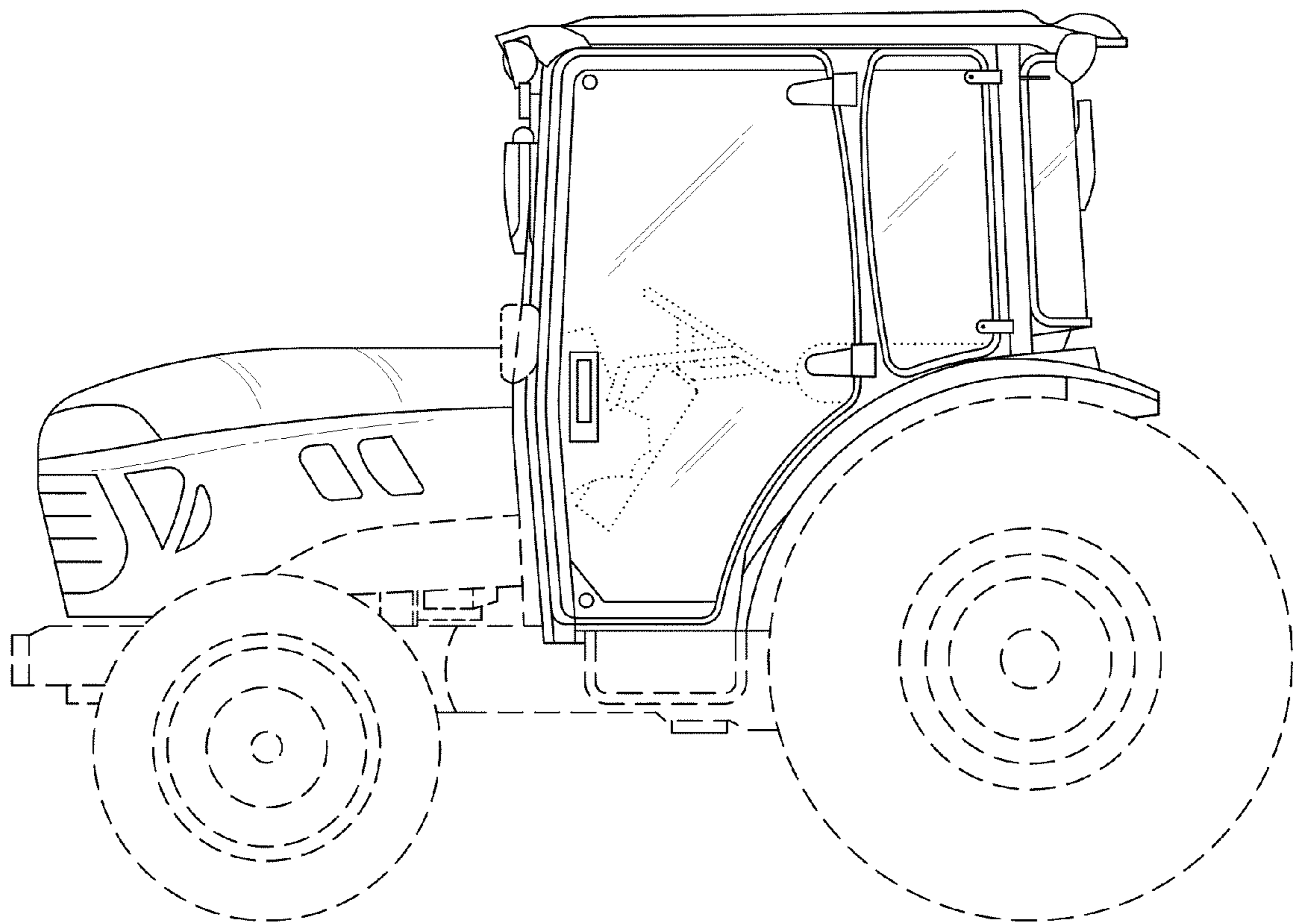


FIG. 3

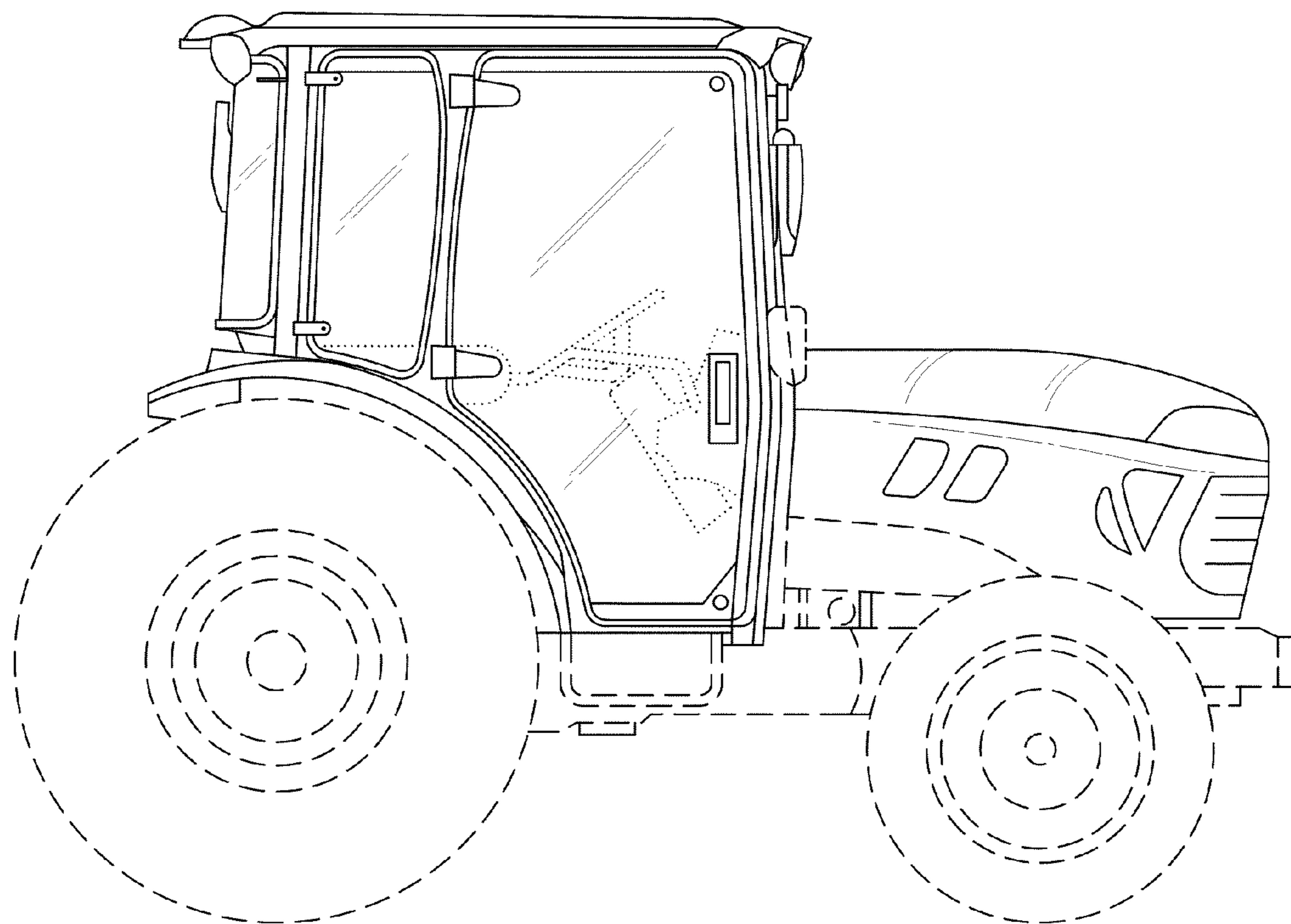


FIG.4

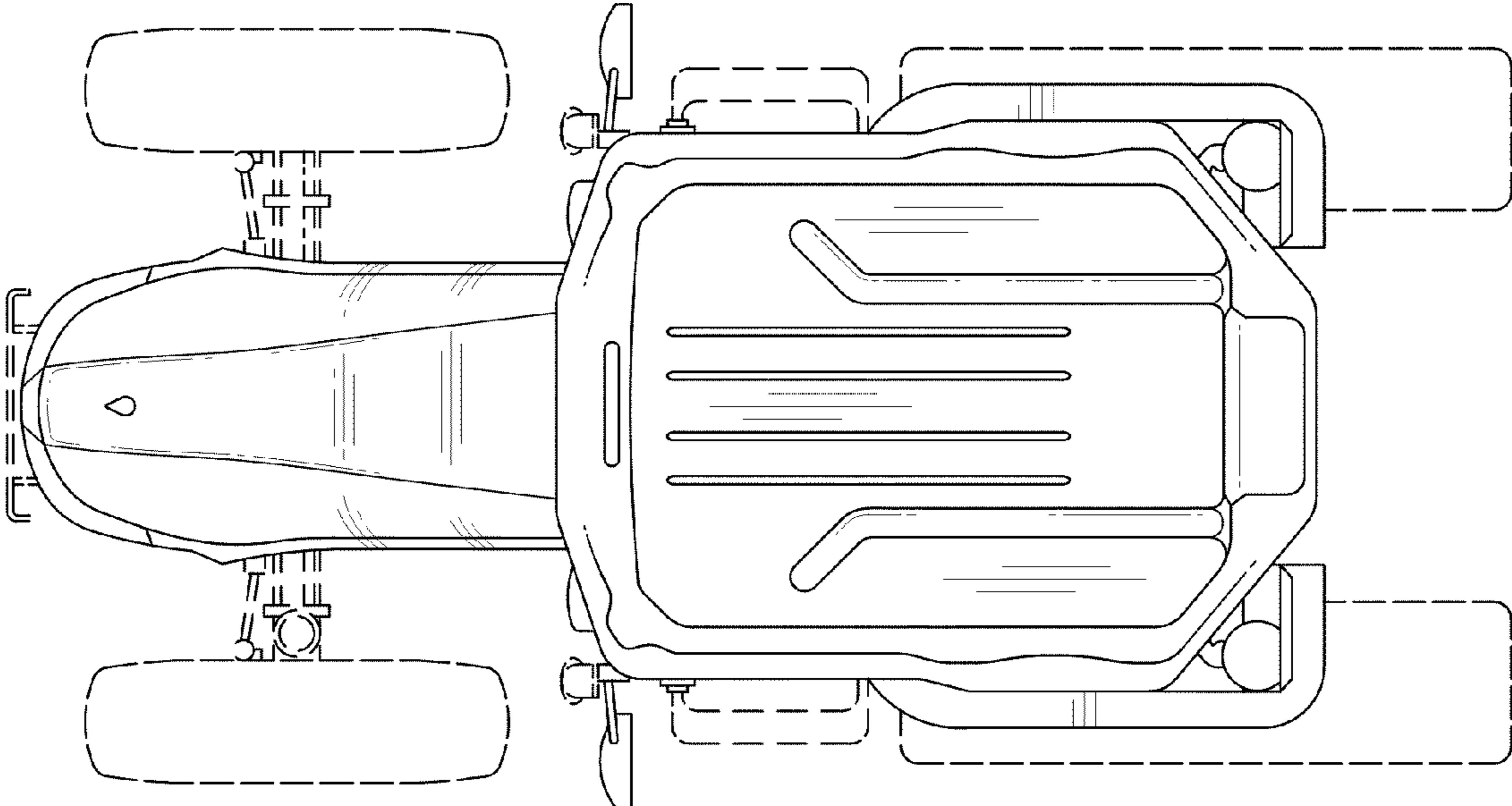


FIG.5

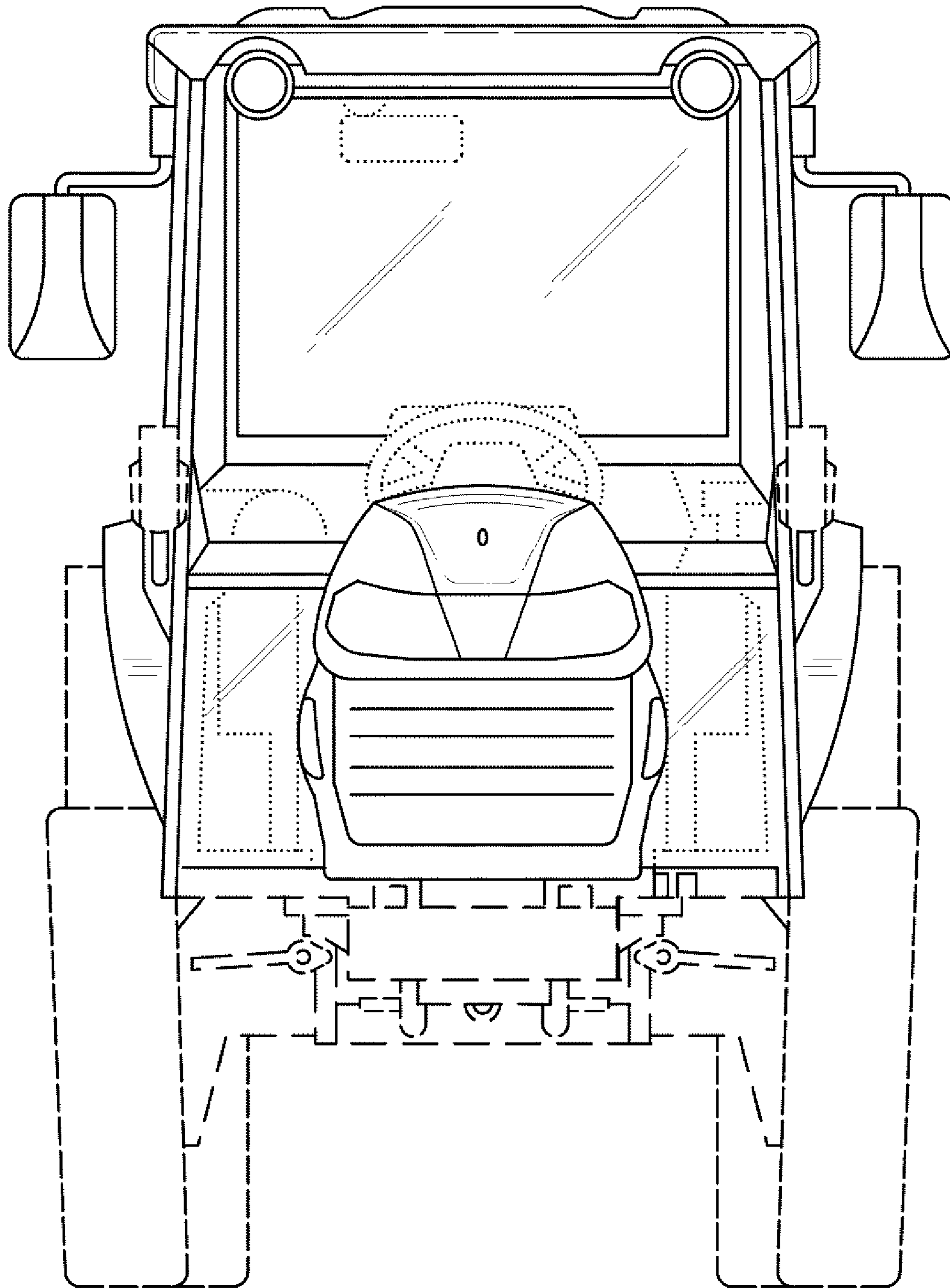


FIG. 6

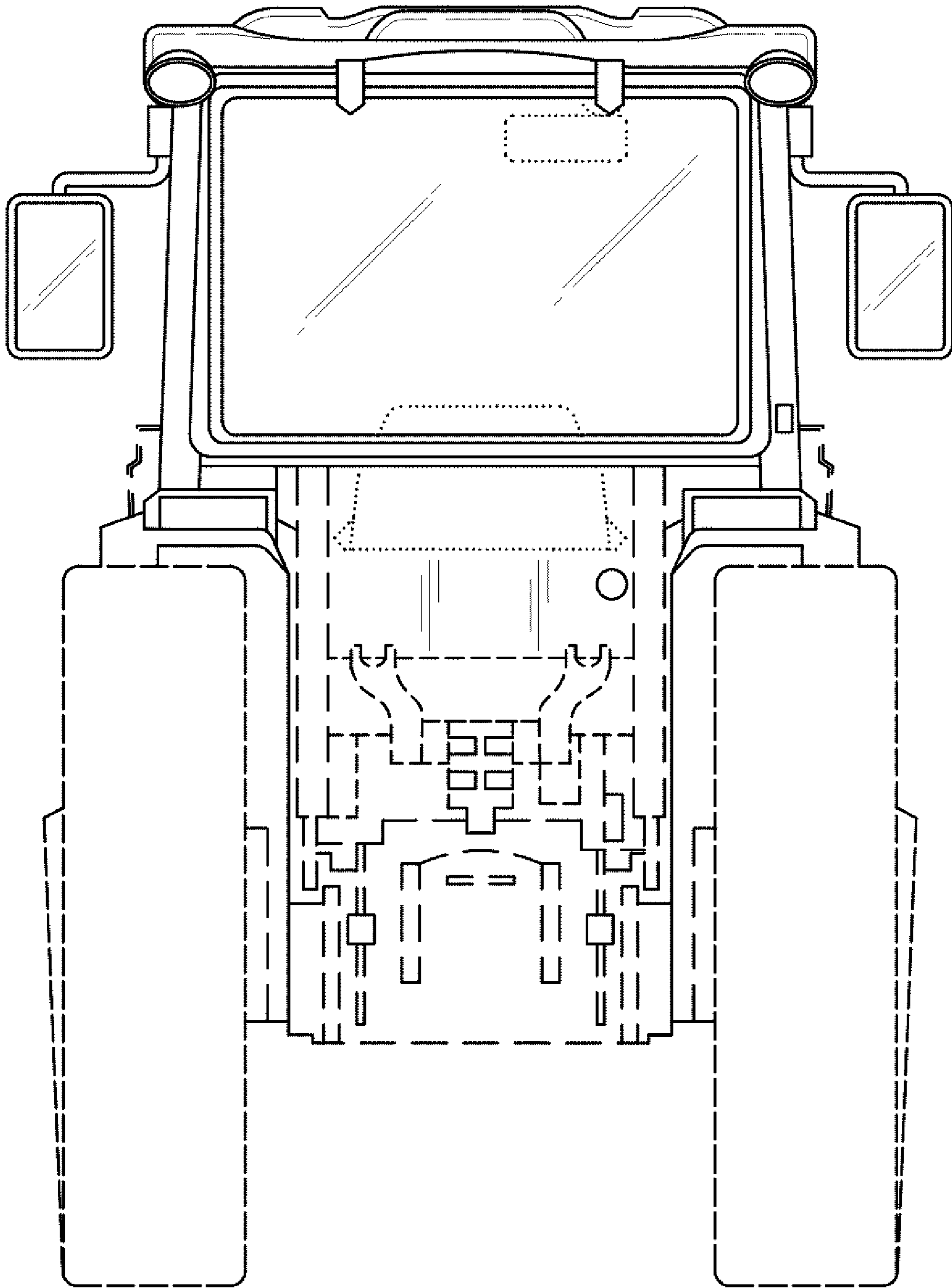


FIG. 7