



US00D641026S

(12) **United States Design Patent**  
**Americano**

(10) **Patent No.:** **US D641,026 S**

(45) **Date of Patent:** **\*\* Jul. 5, 2011**

(54) **ELECTRIC MOTOR**

(75) **Inventor:** **GiovanniAmericano, Urganano (IT)**

(73) **Assignee:** **Conair Corporation, Stamford, CT (US)**

(\*\*) **Term:** **14 Years**

(21) **Appl. No.:** **29/358,877**

(22) **Filed:** **Apr. 1, 2010**

(51) **LOC (9) Cl.** ..... **15-01**

(52) **U.S. Cl.** ..... **D15/1**

(58) **Field of Classification Search** ..... D15/1-6;  
D28/18; 392/380, 385, 398

See application file for complete search history.

(56) **References Cited**

**U.S. PATENT DOCUMENTS**

5,161,317	A *	11/1992	McDougall	.....	34/97
6,011,903	A *	1/2000	Nosenchuck	.....	392/385
D443,109	S *	5/2001	Takeshita et al.	.....	D28/18
6,397,003	B1 *	5/2002	Cheng	.....	392/385
6,895,686	B1 *	5/2005	Sabbatini	.....	34/96
D586,365	S *	2/2009	Shimokawa	.....	D15/5
D595,738	S *	7/2009	Shimokawa	.....	D15/5

7,634,177	B2 *	12/2009	Cheng	.....	392/489
2004/0047620	A1 *	3/2004	Ruben	.....	392/385
2004/0093756	A1 *	5/2004	Carlucci et al.	.....	34/82

\* cited by examiner

*Primary Examiner* — T. Chase Nelson

*Assistant Examiner* — Ania Dworzecka

(74) *Attorney, Agent, or Firm* — Lawrence Cruz

(57) **CLAIM**

The ornamental design for an electric motor, as shown and described.

**DESCRIPTION**

FIG. 1 is a perspective view of an electric motor showing a new design;

FIG. 2 is a perspective view thereof showing the front and right sides thereof;

FIG. 3 is a front elevational view thereof;

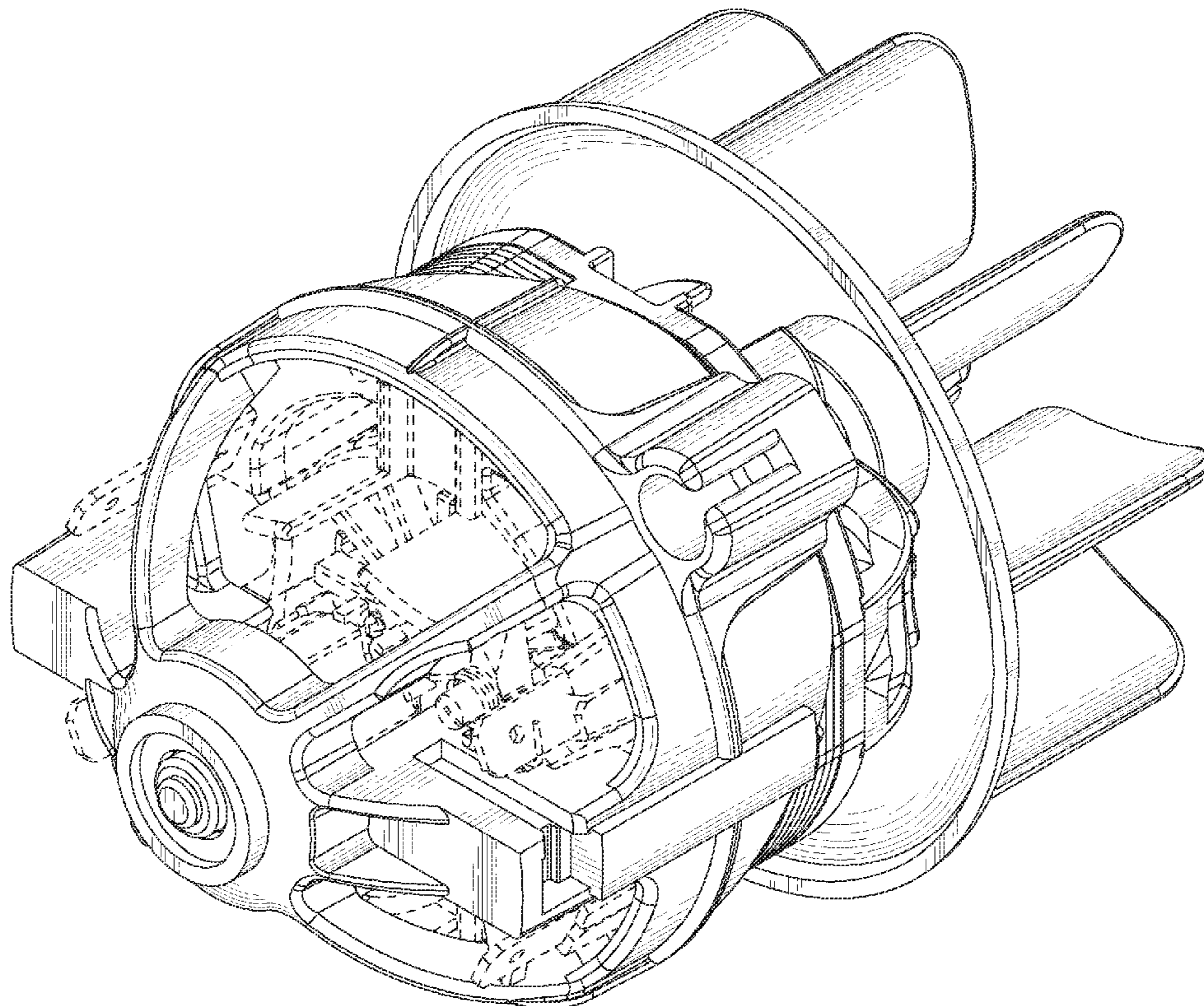
FIG. 4 is a rear elevational view thereof;

FIG. 5 is a top plan view thereof; and,

FIG. 6 is a left side elevational view thereof.

The broken lines are for illustrative purposes only and form no part of the claimed design.

**1 Claim, 6 Drawing Sheets**



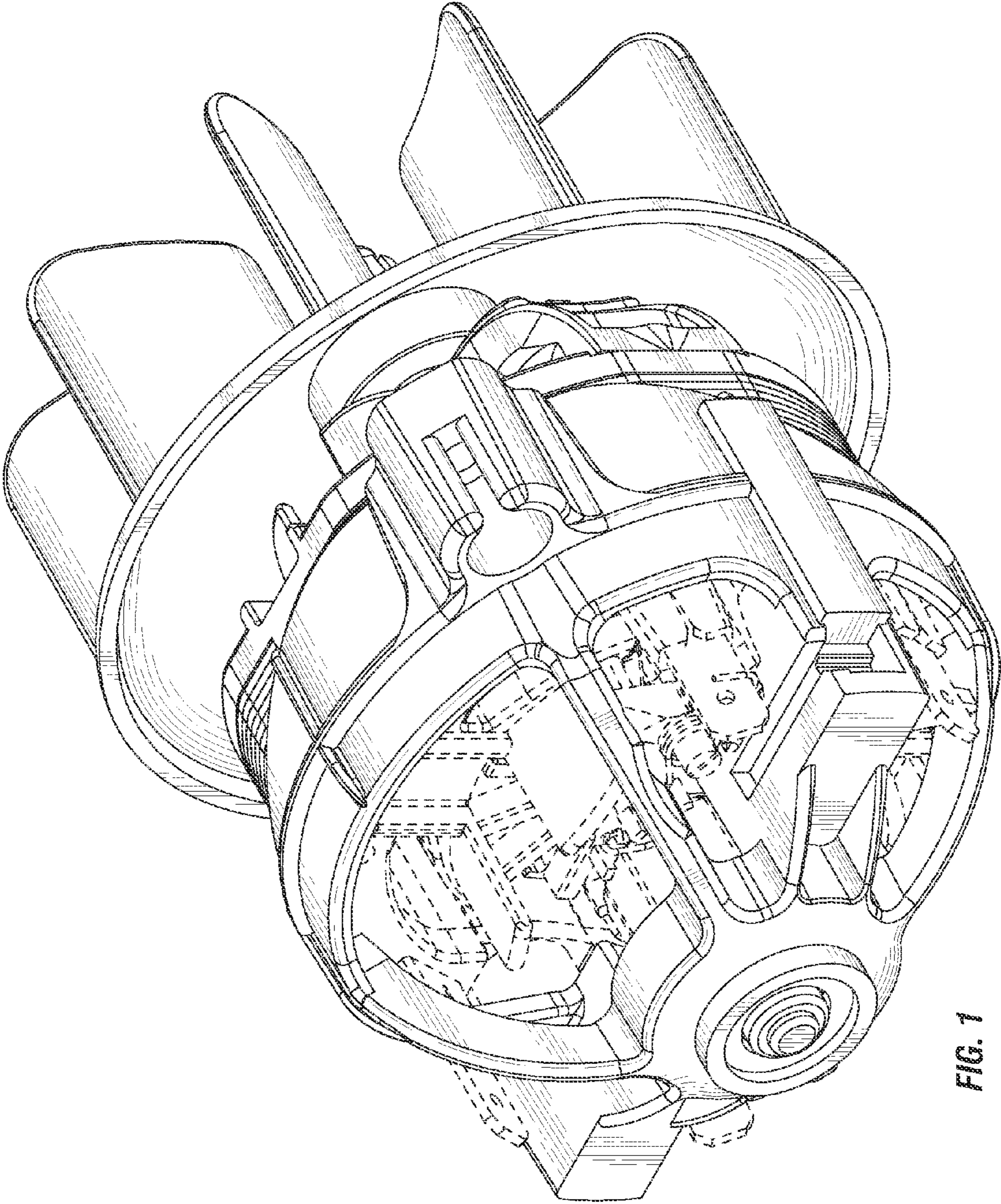


FIG. 1

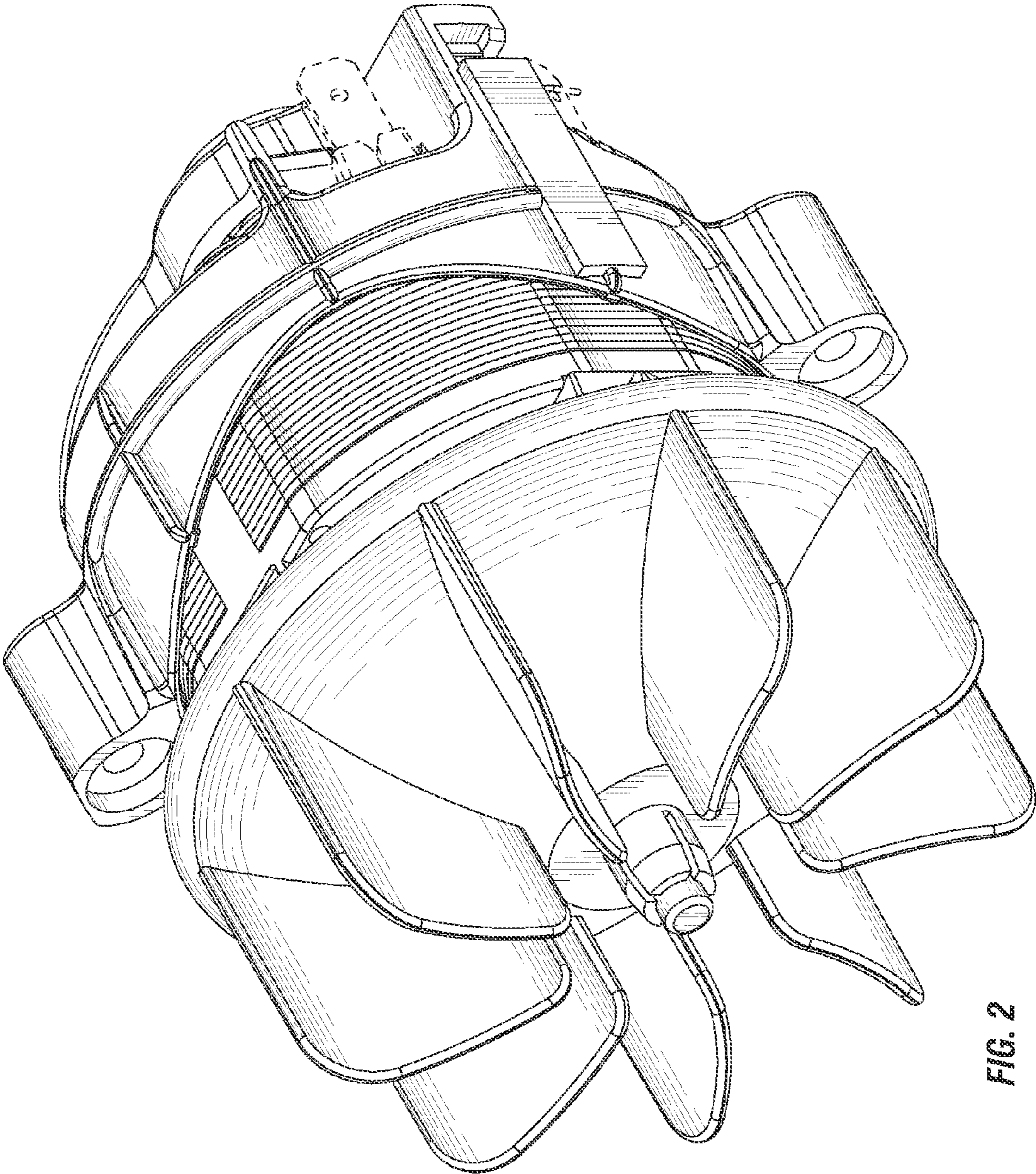


FIG. 2

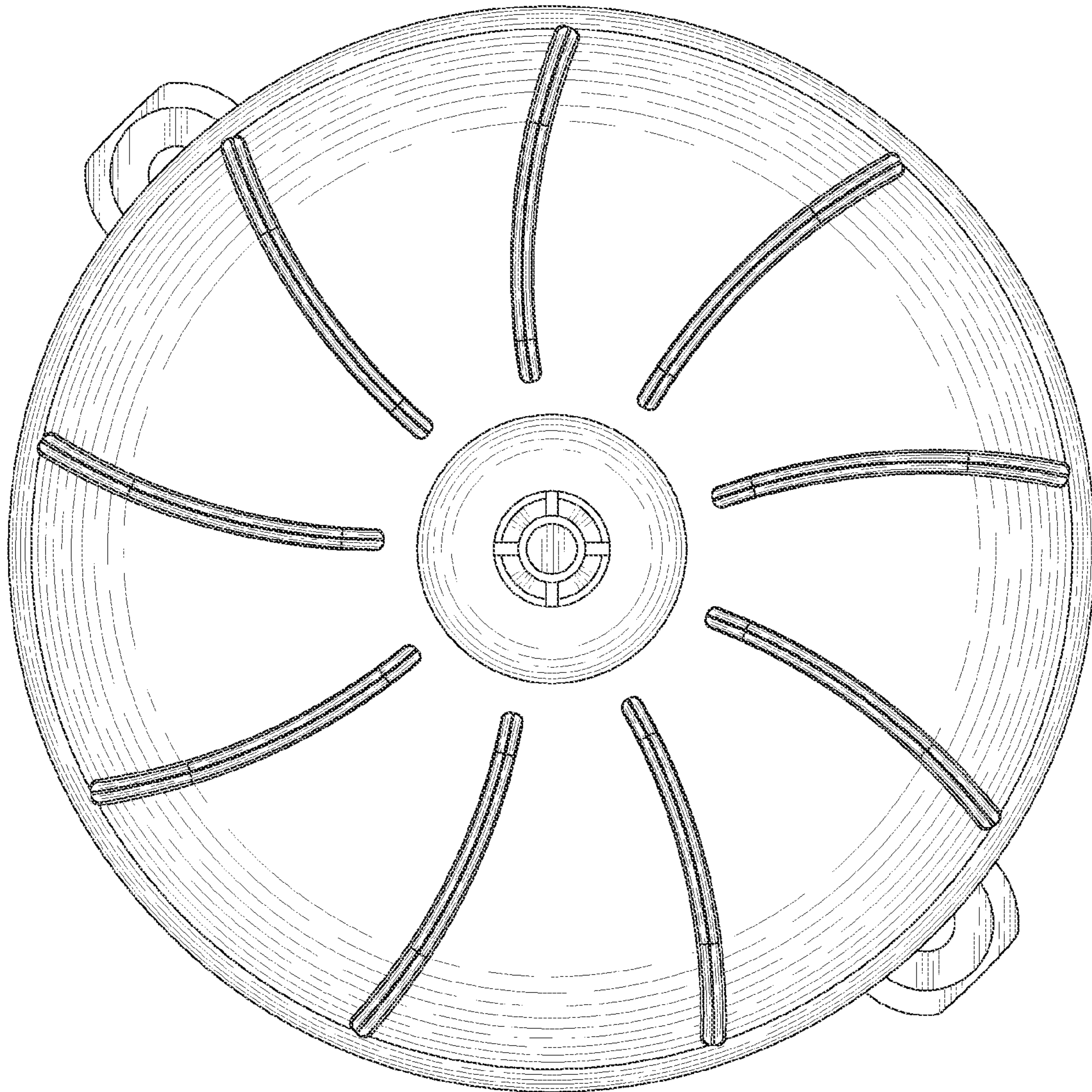


FIG. 3

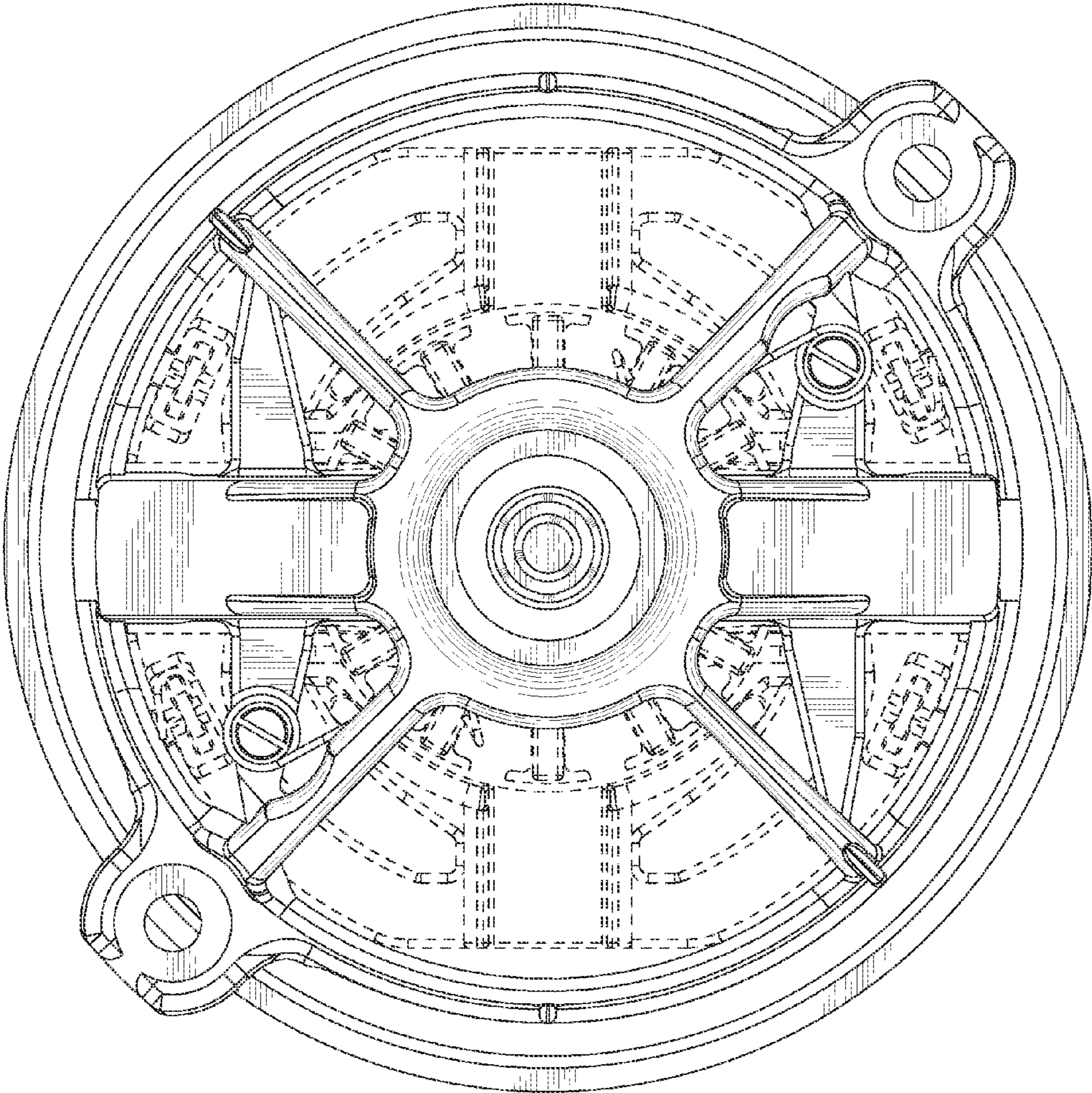


FIG. 4

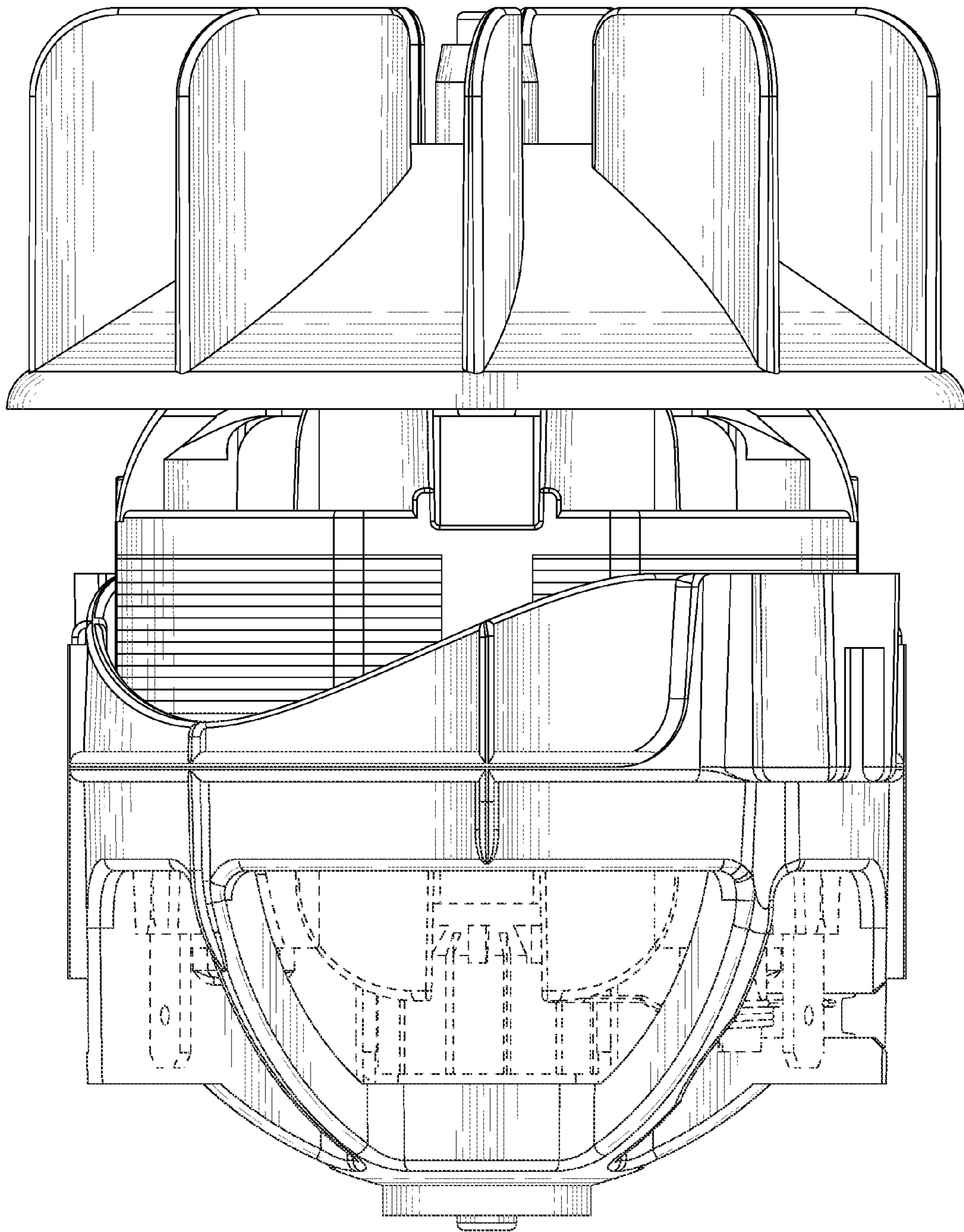


FIG. 5

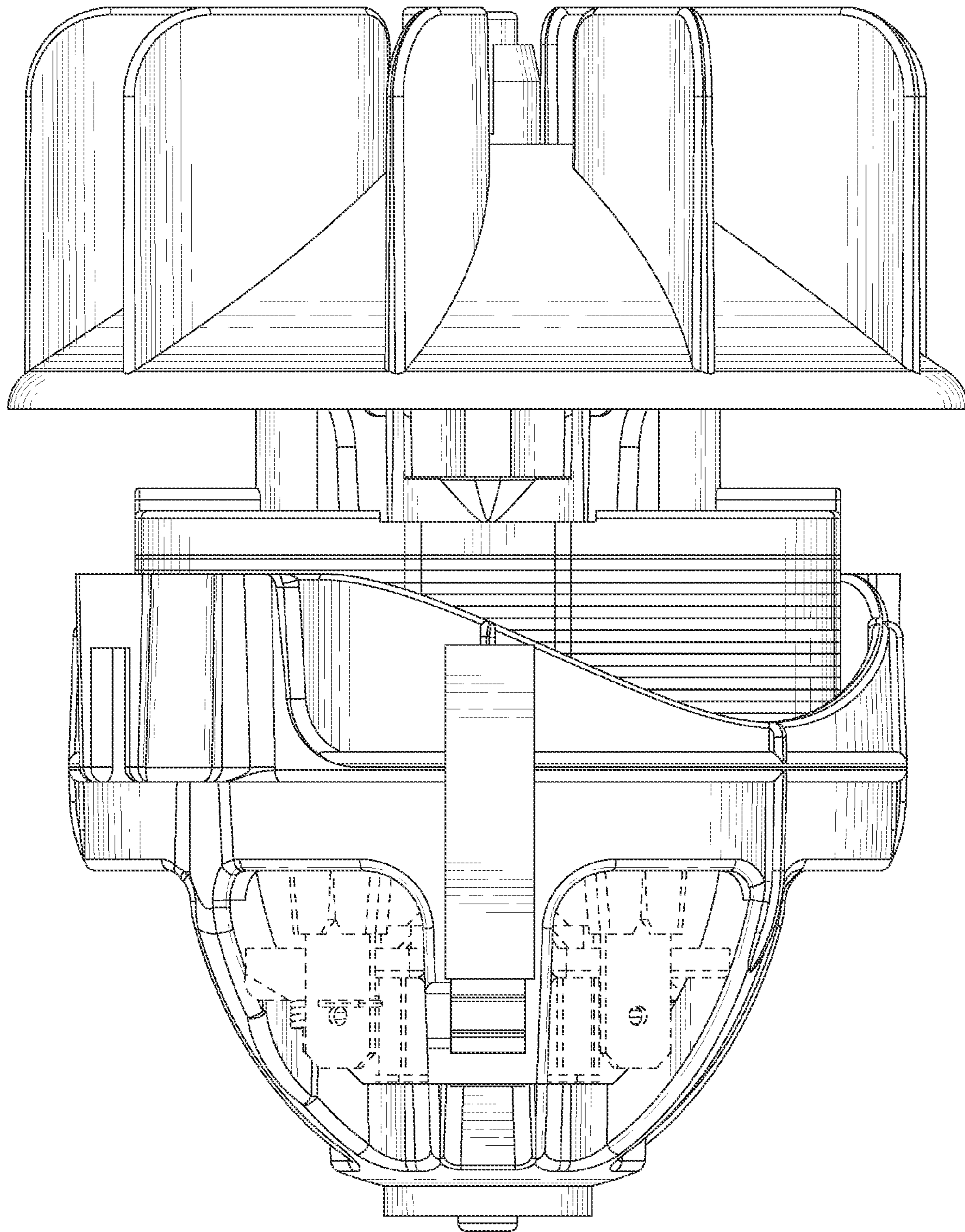


FIG. 6