



US00D641025S

(12) **United States Design Patent**
Ohno

(10) **Patent No.:** **US D641,025 S**

(45) **Date of Patent:** **** Jul. 5, 2011**

(54) **DISC PLAYER**

(75) Inventor: **Shigeki Ohno**, Tokyo (JP)

(73) Assignee: **Sony Corporation**, Tokyo (JP)

(**) Term: **14 Years**

(21) Appl. No.: **29/347,606**

(22) Filed: **Mar. 12, 2010**

(51) **LOC (9) Cl.** **14-01**

(52) **U.S. Cl.** **D14/502; D14/258**

(58) **Field of Classification Search** D14/496,
D14/498-505, 132, 137, 157, 168, 188, 192,
D14/197-198, 257-258; 360/99.02, 99.07;
369/75.11, 75.21, 77.11, 77.21; 720/601,
720/612, 619, 649, 655; 455/344, 347-351;
D10/65; 345/156

See application file for complete search history.

(56) **References Cited**

U.S. PATENT DOCUMENTS

D438,191 S	2/2001	Uehara	
D475,036 S	5/2003	Tejima	
D480,693 S	* 10/2003	Johansson et al.	D14/502
D485,245 S	* 1/2004	Shiraki et al.	D14/506
D505,130 S	5/2005	Yuyama	
D506,984 S	7/2005	Oikawa	
D517,058 S	3/2006	Hisatsune	

D526,634 S	8/2006	Inoue
D533,177 S	12/2006	Andre et al.
D538,255 S	3/2007	Matsuoka
D543,532 S	5/2007	Isonaga
D554,604 S	11/2007	Sogabe
D574,360 S	8/2008	Matsuoka

FOREIGN PATENT DOCUMENTS

JP	D1177420 S	6/2003
JP	D-1200120 S	3/2004
JP	D1210860 S	7/2004
JP	D1214998 S	8/2004
JP	D1248927 S	8/2005
JP	D1247758 S	7/2008

* cited by examiner

Primary Examiner — Nanda Bondade

(74) *Attorney, Agent, or Firm* — Rader, Fishman & Grauer PLLC

(57) **CLAIM**

The ornamental design for a disc player, as shown and described.

DESCRIPTION

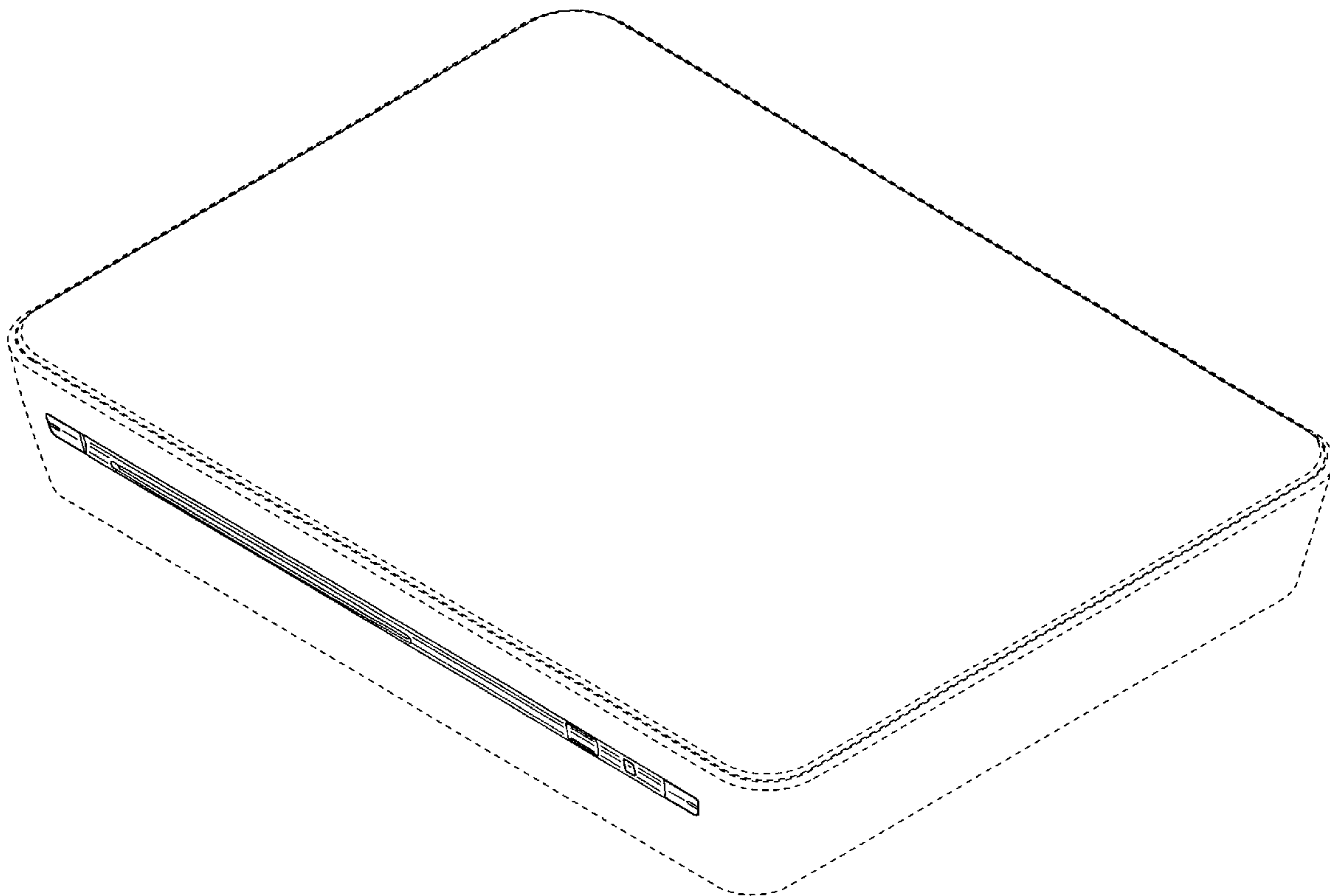
FIG. 1 is a perspective view of a disc player showing my new design;

FIG. 2 is a front elevational view thereof; and,

FIG. 3 is a bottom plan view thereof.

Portions in broken lines are for illustrative purpose only and form no part of the claimed design.

1 Claim, 3 Drawing Sheets



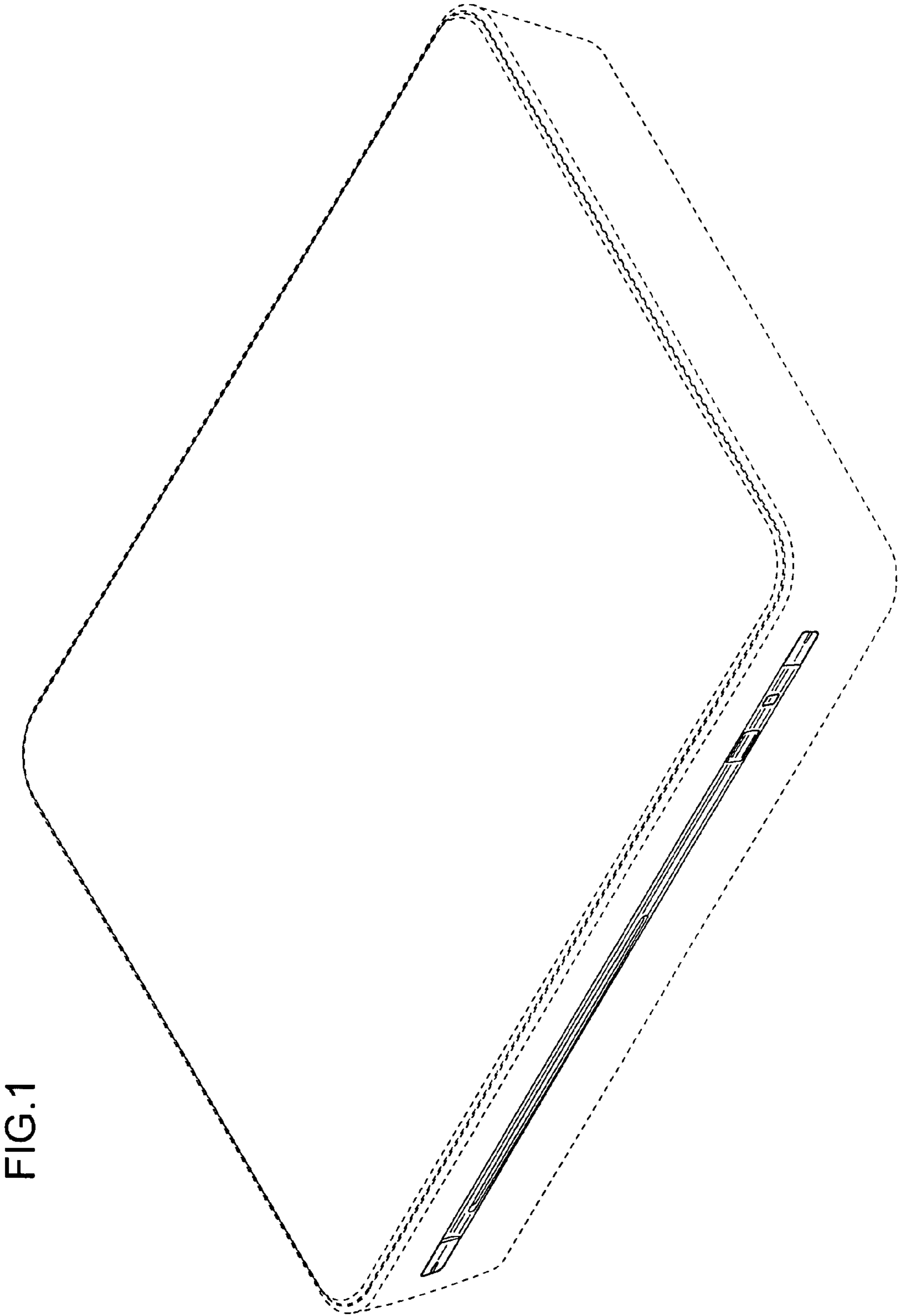


FIG. 1

FIG.2

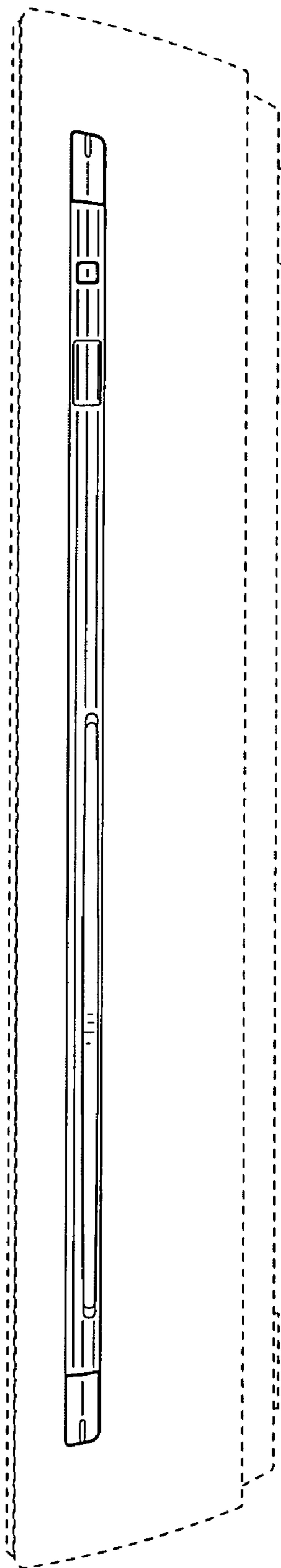


FIG.3

