



US00D641024S

(12) **United States Design Patent**  
**Zenri et al.**

(10) **Patent No.:** **US D641,024 S**  
(45) **Date of Patent:** **\*\* Jul. 5, 2011**

(54) **ELECTRONIC COMPUTER STAND**

(75) Inventors: **Yuko Zenri**, Kyoto (JP); **Hideaki Kamata**, Kyoto (JP)

(73) Assignee: **Nintendo Co., Ltd**, Kyoto (JP)

(\*\*) Term: **14 Years**

(21) Appl. No.: **29/380,753**

(22) Filed: **Dec. 10, 2010**

(30) **Foreign Application Priority Data**

Nov. 22, 2010 (JP) ..... 2010-027961

(51) **LOC (9) Cl.** ..... **08-07**

(52) **U.S. Cl.** ..... **D14/447**

(58) **Field of Classification Search** ..... D14/447,  
D14/451, 452, 448, 457, 432, 434, 440, 217,  
D14/250, 251, 253, 239, 238.1, 373; D3/218;  
D6/406.3, 406.4, 406.5, 406.6; D8/363,  
D8/373, 380; 248/917-924, 139, 149, 150,  
248/155.2, 371, 415, 176.3, 324, 687, 688,  
248/441.1, 447, 454, 455, 456, 457, 460;  
361/679.04, 679.05, 679.06, 679.02, 679.07,  
361/679.09, 679.21, 679.26, 679.3, 379.55,  
361/679.56; D21/330, 333

See application file for complete search history.

(56) **References Cited**

**U.S. PATENT DOCUMENTS**

D345,969 S *	4/1994	McKnight et al.	.....	D14/451
D350,536 S *	9/1994	McKnight et al.	.....	D14/447
D391,931 S *	3/1998	Iino	.....	D14/434
D393,451 S *	4/1998	Faranda et al.	.....	D14/434
D395,425 S *	6/1998	Sugita	.....	D14/451
D395,871 S *	7/1998	Iino	.....	D14/434
D408,025 S *	4/1999	Tanimura	.....	D14/434
D413,872 S *	9/1999	Jessen	.....	D14/447
D456,812 S *	5/2002	Bliven et al.	.....	D14/434

D458,269 S *	6/2002	Goto	.....	D14/447
D494,634 S *	8/2004	Soga	.....	D21/333
D505,427 S *	5/2005	Bain	.....	D14/451
D543,246 S	5/2007	Ashida et al.		
D556,836 S	12/2007	Ashida et al.		
D574,383 S	8/2008	Maruyama et al.		
D575,350 S	8/2008	Ashida et al.		
D582,486 S	12/2008	Ashida et al.		
D585,897 S *	2/2009	Carnevali	.....	D14/434
D588,139 S	3/2009	Fujino et al.		
D589,962 S	4/2009	Maruyama et al.		
D589,965 S	4/2009	Ashida et al.		
D598,920 S	8/2009	Fujino et al.		
D605,233 S	12/2009	Ashida et al.		

\* cited by examiner

*Primary Examiner* — Angela Lee

(74) *Attorney, Agent, or Firm* — Nixon & Vanderhye, P.C.

(57) **CLAIM**

The ornamental design for an electronic computer stand, as shown and described.

**DESCRIPTION**

FIG. 1 is a front, right and bottom perspective view of an electronic computer stand showing our new design; FIG. 2 is a rear, left and top perspective view thereof; FIG. 3 is a front view thereof; FIG. 4 is a rear view thereof; FIG. 5 is a top plan view thereof; FIG. 6 is a bottom plan view thereof; FIG. 7 is a left side view thereof; FIG. 8 is a right side view thereof; FIG. 9 is a perspective view thereof but with a feature shown in broken lines in an alternate position; and, FIG. 10 is a perspective view thereof, but shown in use with an electronic computer shown in broken lines. The portions of the electronic computer stand and electronic computer shown in broken-line form no part of the claimed design.

**1 Claim, 4 Drawing Sheets**

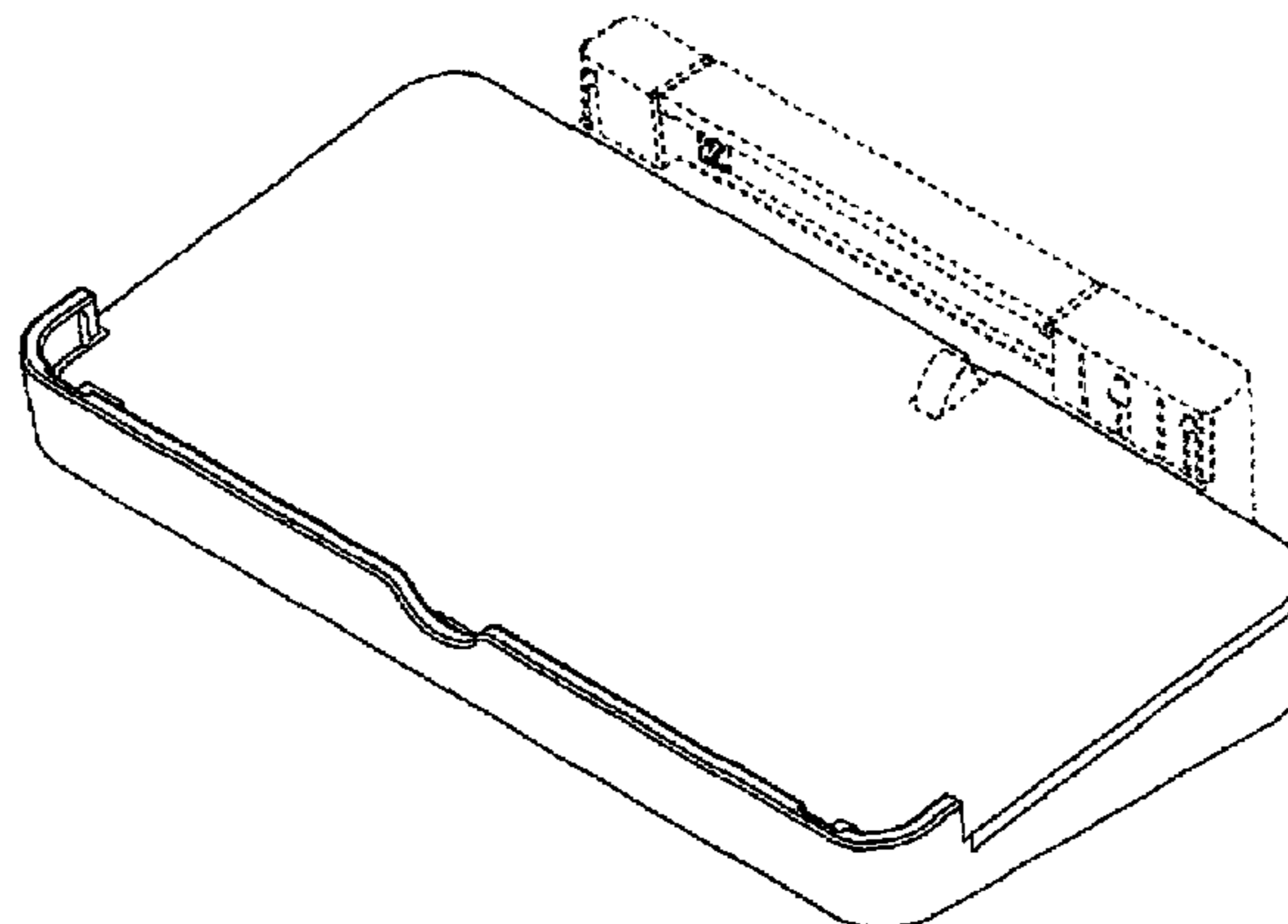


FIG. 1

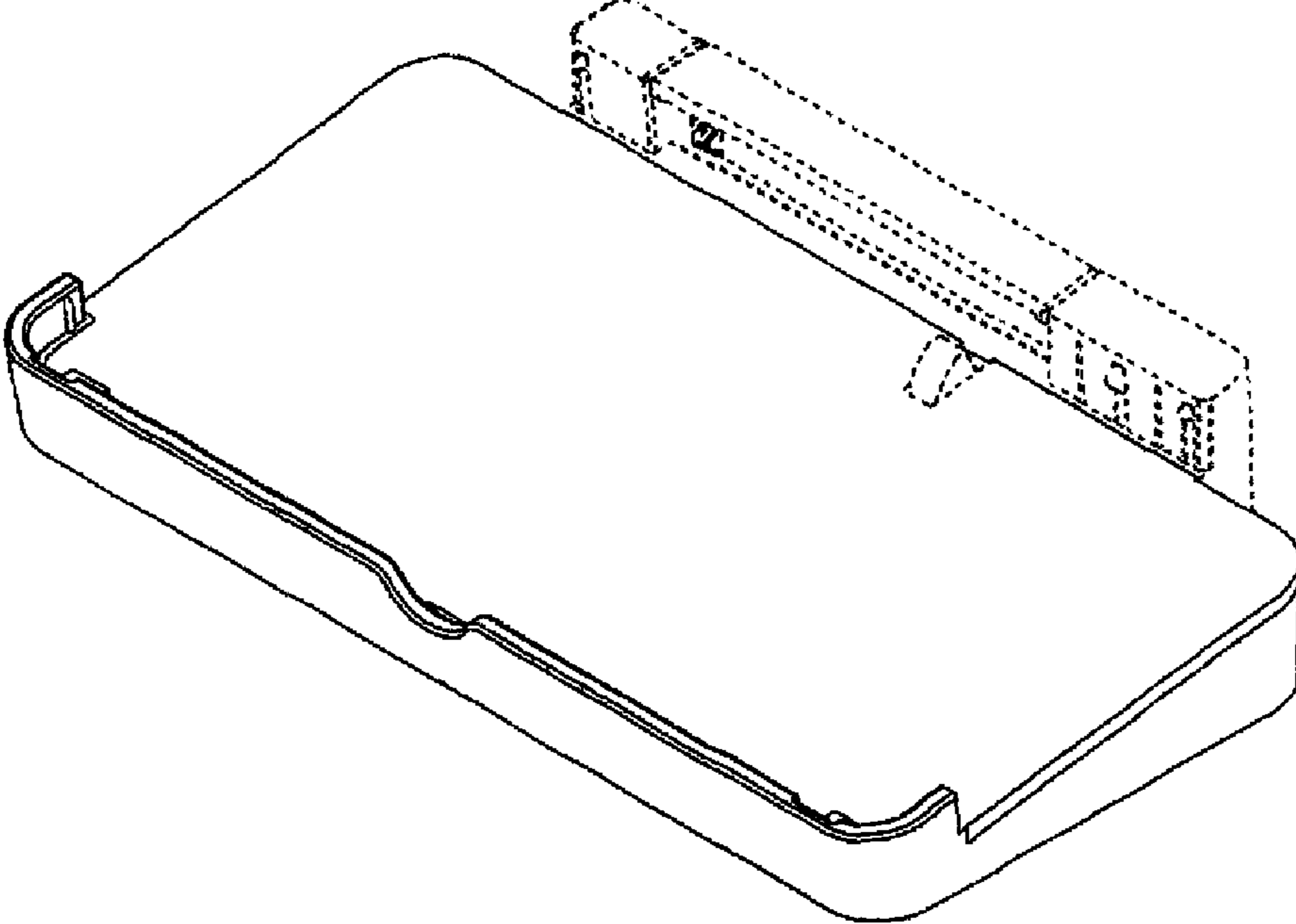


FIG. 2

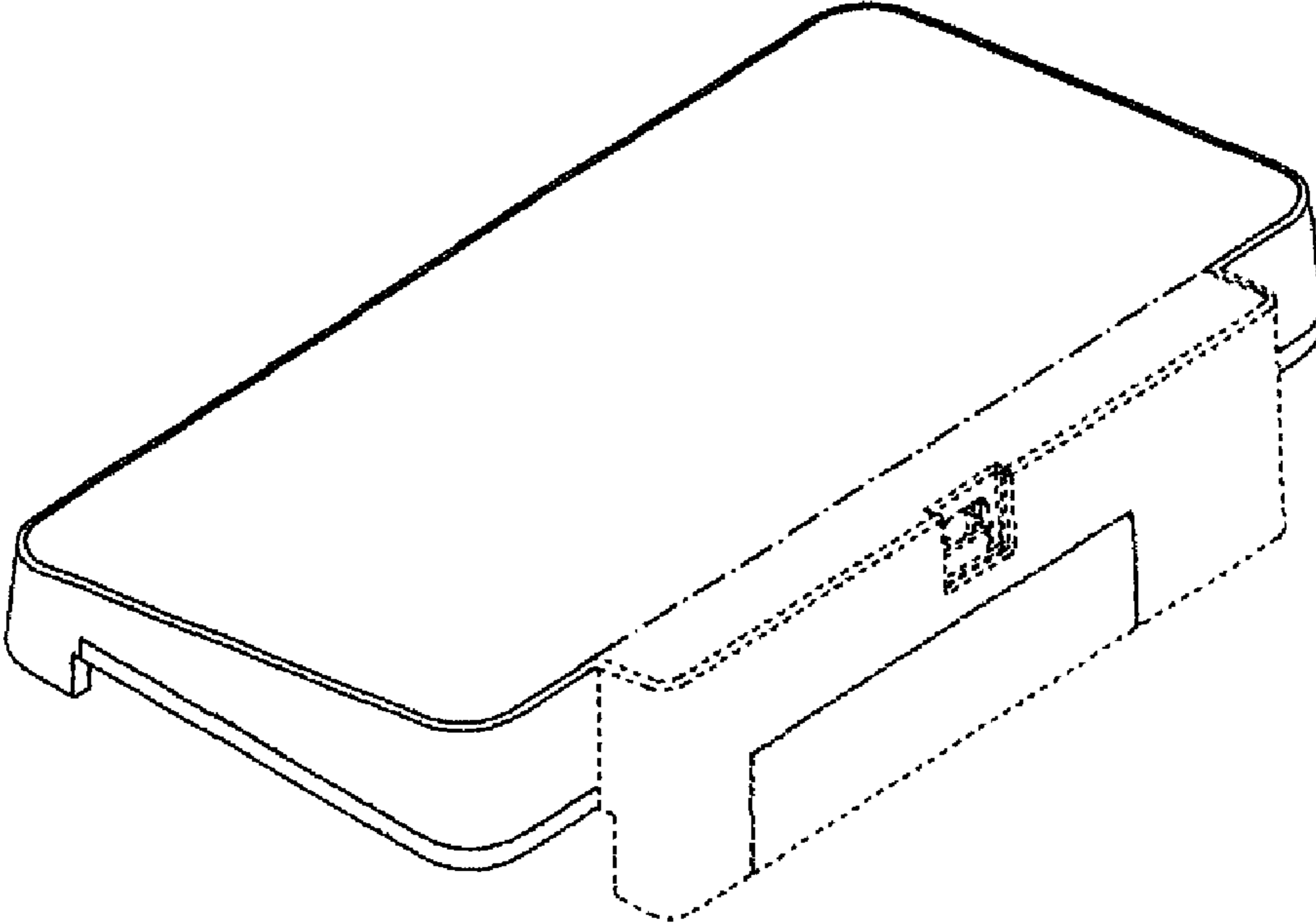


FIG. 3

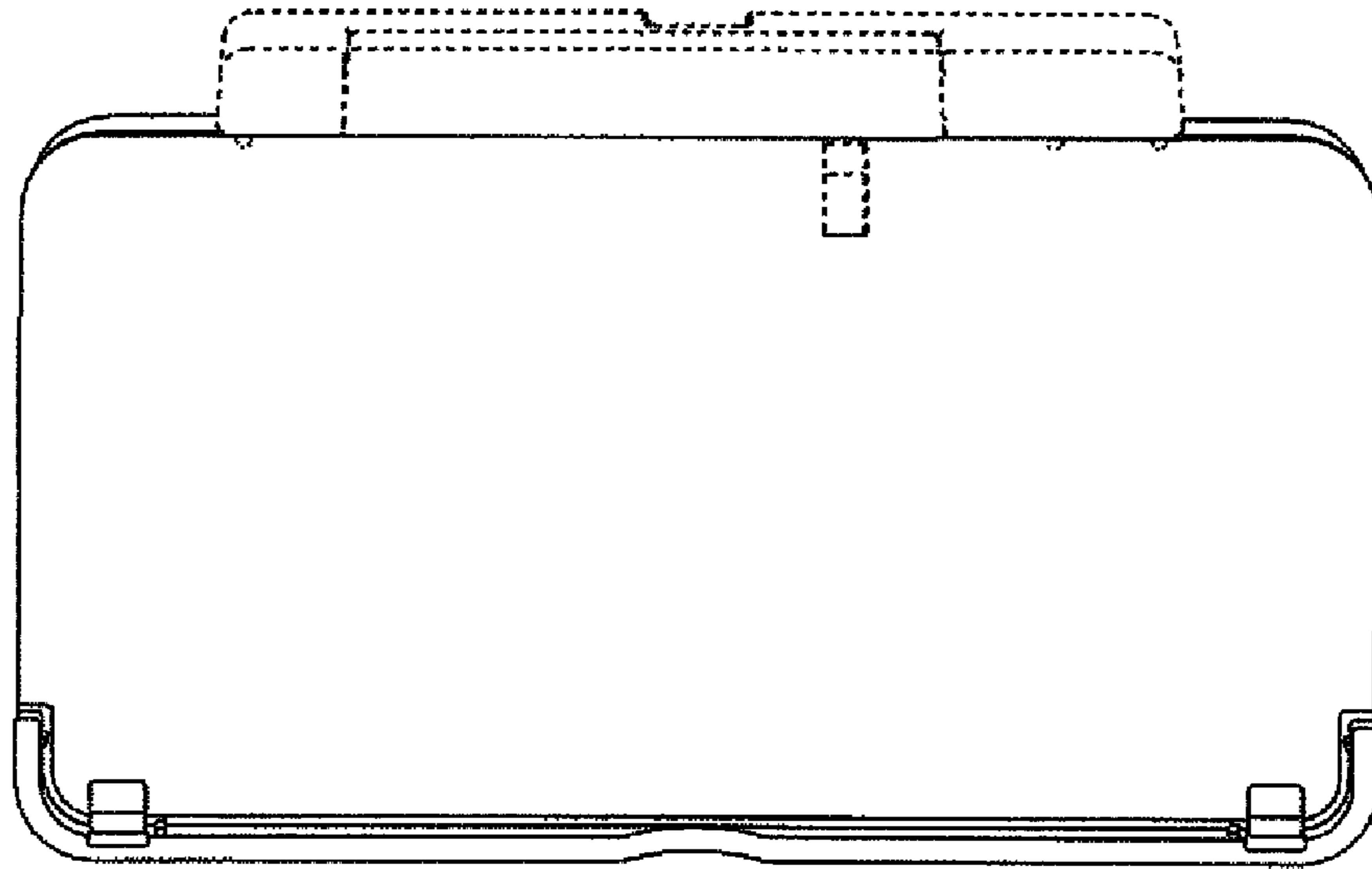


FIG. 4

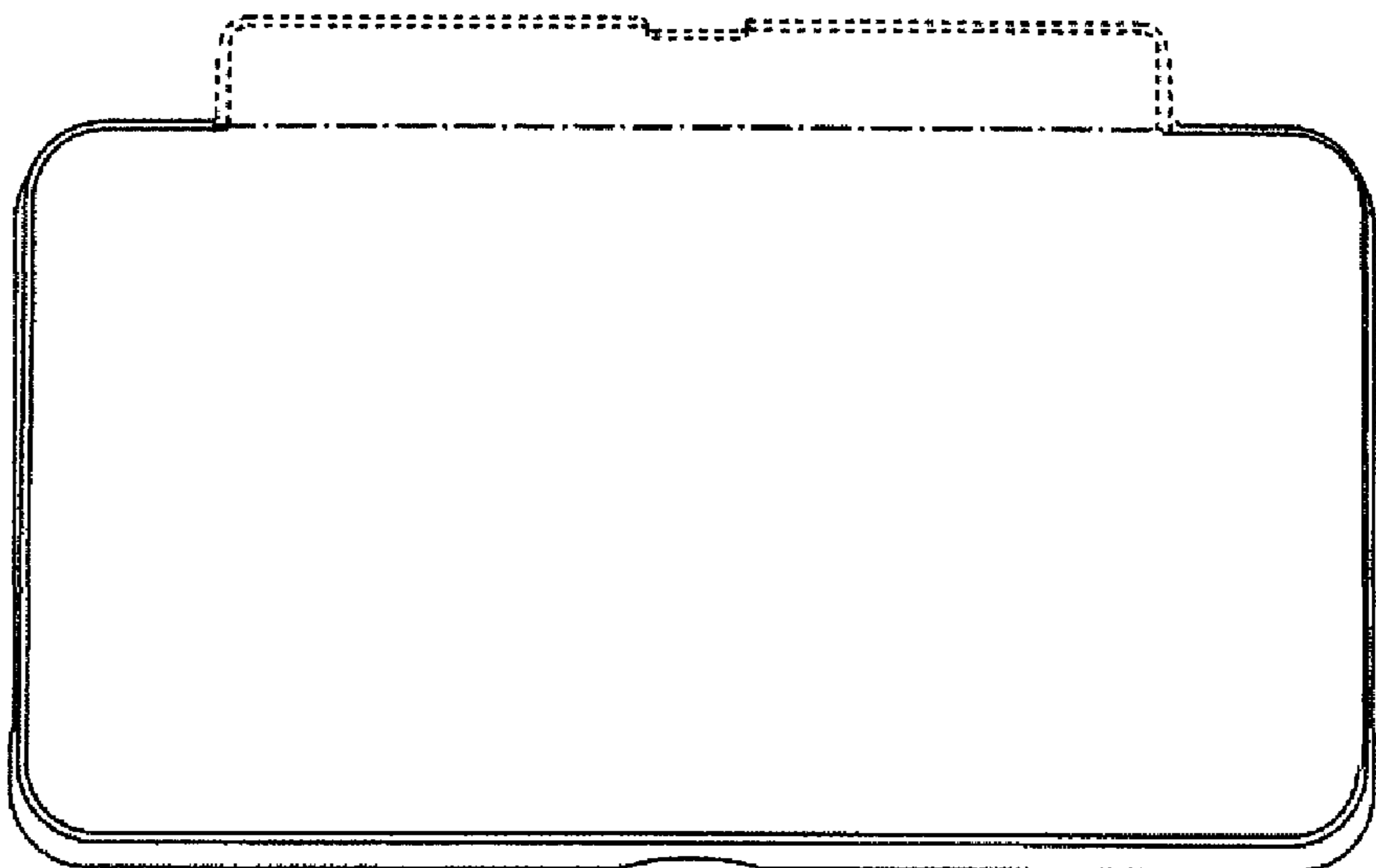


FIG. 5

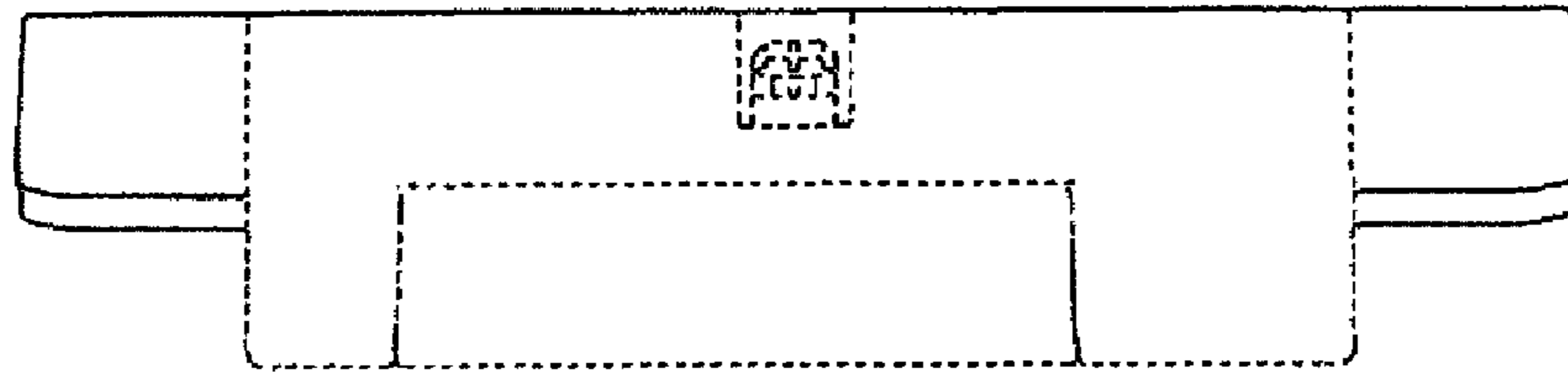


FIG. 6

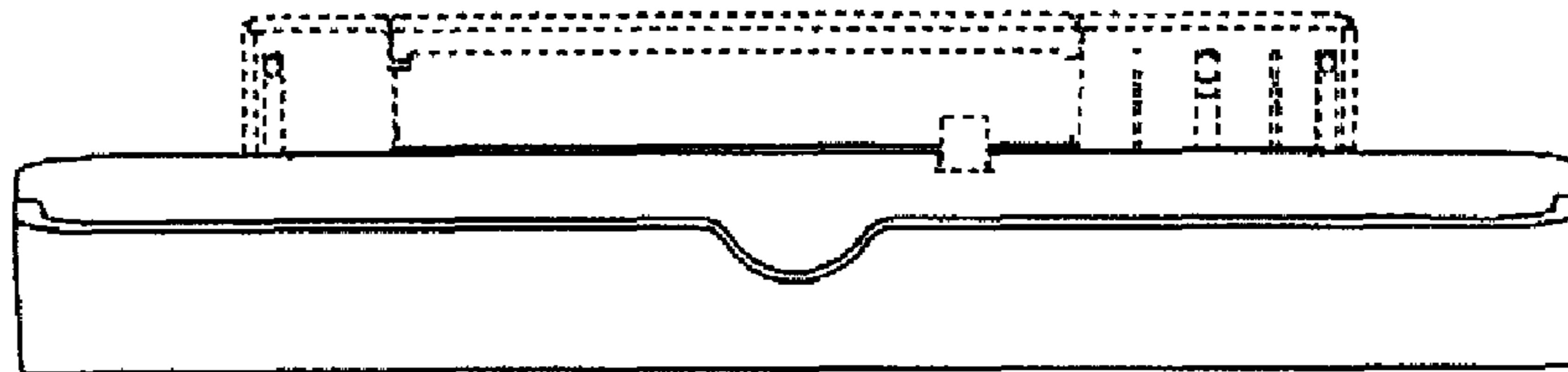


FIG. 7

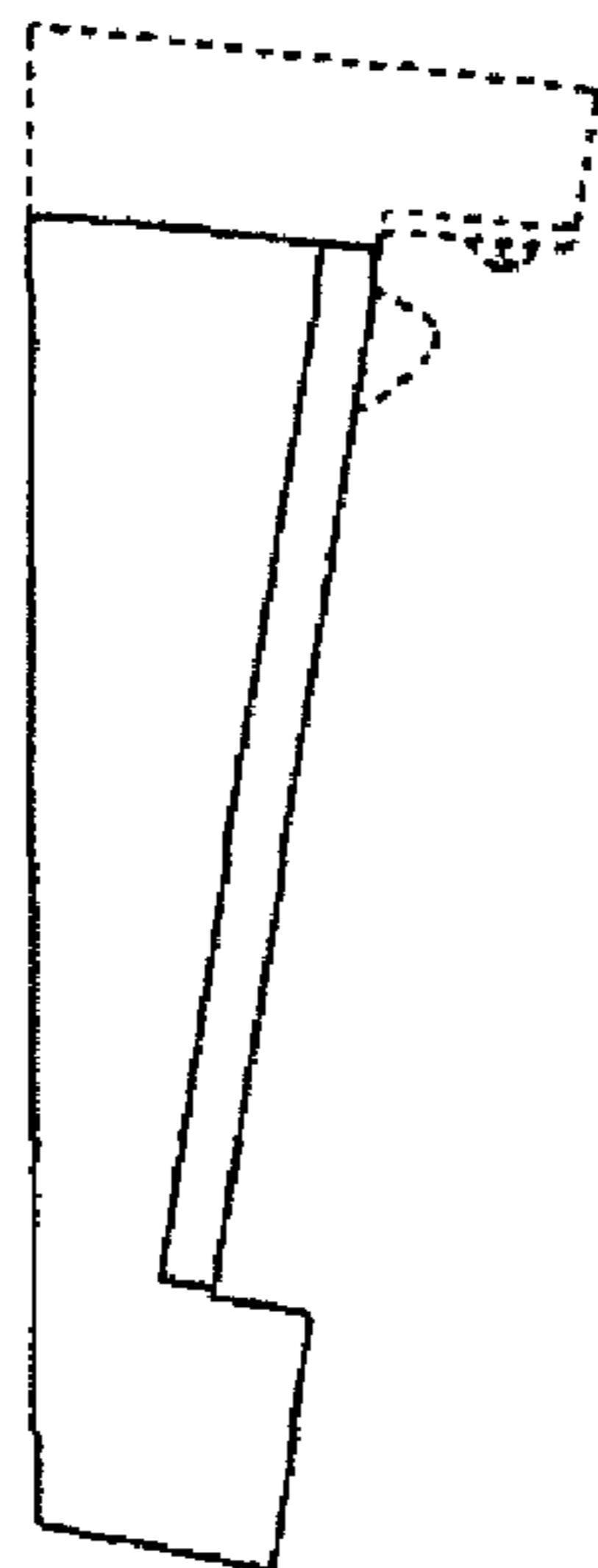


FIG. 8

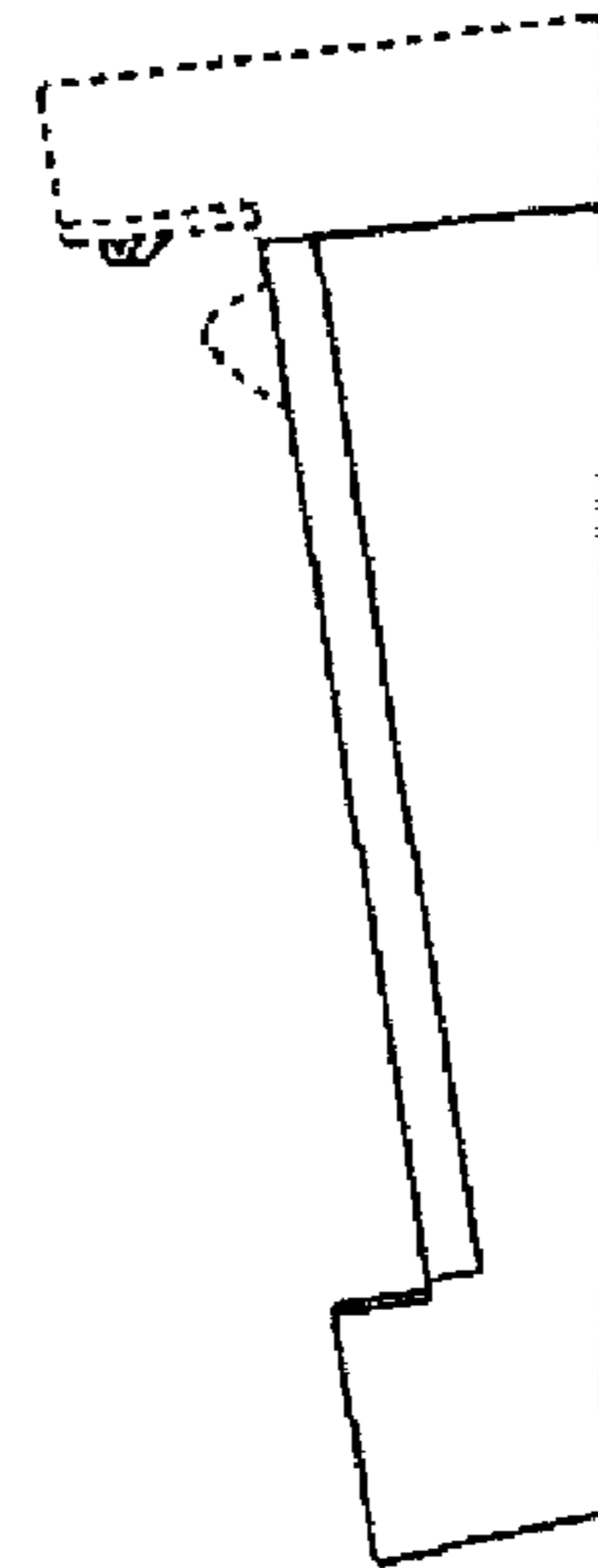


FIG. 9

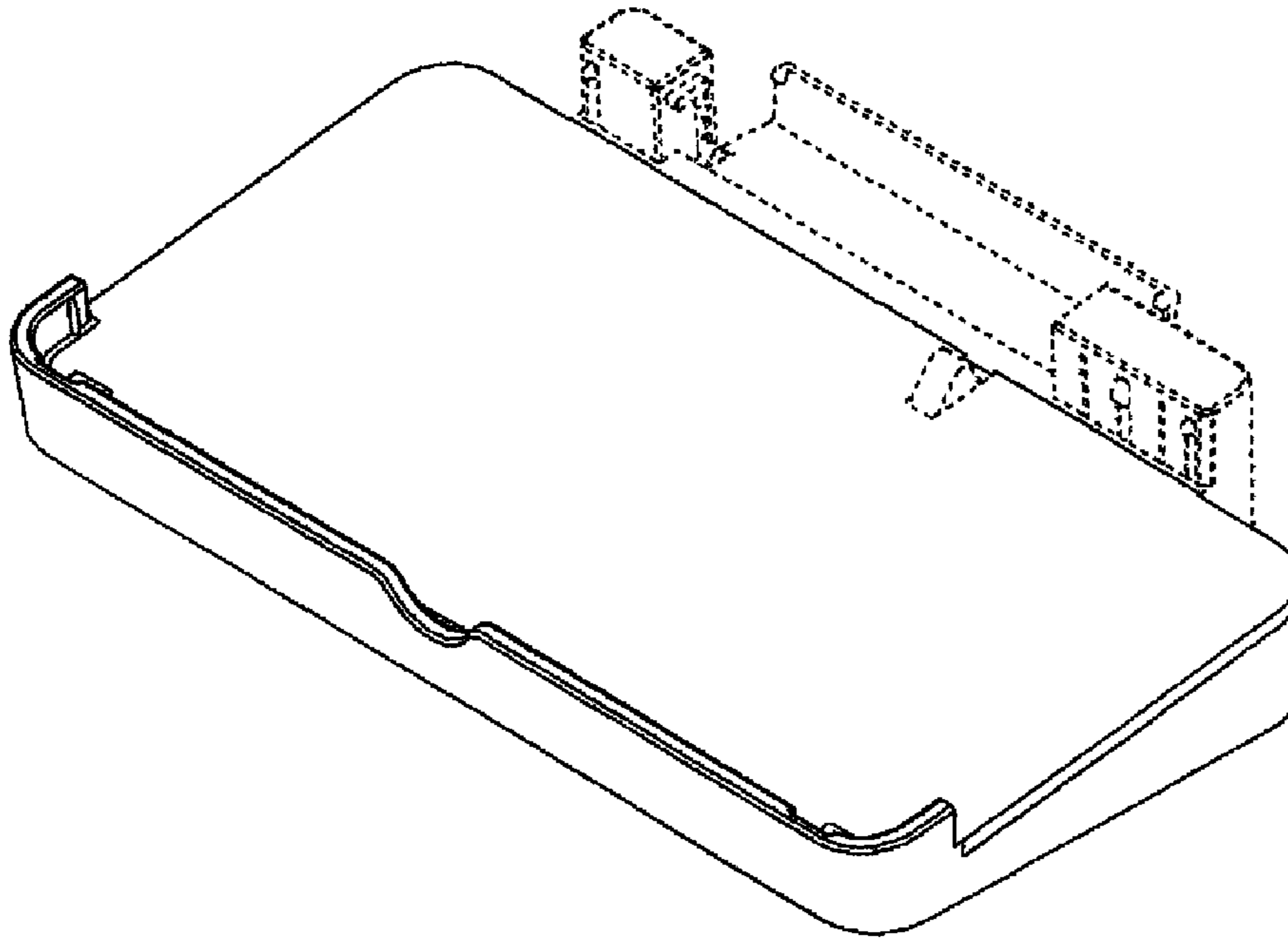


FIG. 10

