



US00D641023S

(12) **United States Design Patent**  
**Chen et al.**

(10) **Patent No.:** **US D641,023 S**  
(45) **Date of Patent:** **\*\* Jul. 5, 2011**

(54) **MICRO UNIVERSAL SERIAL BUS ADAPTER**

(75) Inventors: **Henry Chen**, Arcadia, CA (US); **Ka Hung Au**, Hong Kong (CN)

(73) Assignee: **Ever Win International Corporation**,  
City of Industry, CA (US)

(\*\*) Term: **14 Years**

(21) Appl. No.: **29/367,268**

(22) Filed: **Aug. 5, 2010**

(51) **LOC (9) Cl.** ..... **14-02**

(52) **U.S. Cl.** ..... **D14/433; D13/147**

(58) **Field of Classification Search** ..... D14/356-358,  
D14/383-385, 420, 426, 427, 432-439, 447,  
D14/453, 454, 217, 253, 299; D13/107,  
D13/108, 133, 146, 147, 152, 154, 156, 158,  
D13/162, 162.1, 168, 173, 177; 439/131,  
439/172-174, 373, 378; 361/679.08, 679.56,  
361/679.21, 679.4

See application file for complete search history.

(56) **References Cited**

**U.S. PATENT DOCUMENTS**

D366,242 S *	1/1996	Goto	.....	D13/147
D437,290 S *	2/2001	Goto	.....	D13/147
D527,723 S *	9/2006	Andre et al.	.....	D14/217
D531,127 S *	10/2006	Zhong et al.	.....	D13/147
D548,700 S *	8/2007	Ledbetter et al.	.....	D13/154
D560,165 S *	1/2008	Matityahu et al.	.....	D13/133
D560,166 S *	1/2008	Andre et al.	.....	D13/133
D569,848 S *	5/2008	Suzuki	.....	D14/217
D574,365 S *	8/2008	Andre et al.	.....	D14/217

D576,555 S *	9/2008	Bruseloff	.....	D13/147
D578,070 S *	10/2008	Shen et al.	.....	D13/147
D585,060 S *	1/2009	Han	.....	D14/358
D585,061 S *	1/2009	Han	.....	D14/358
D585,835 S *	2/2009	Jaqua et al.	.....	D13/154
D587,208 S *	2/2009	Tsai et al.	.....	D13/147
D587,209 S *	2/2009	Tsai et al.	.....	D13/147
D604,725 S *	11/2009	Chen	.....	D14/240
D618,224 S *	6/2010	Tong et al.	.....	D14/240
D618,225 S *	6/2010	Tong et al.	.....	D14/240
D618,226 S *	6/2010	Tong et al.	.....	D14/240
D618,240 S *	6/2010	Larmour et al.	.....	D14/358
D624,548 S *	9/2010	Yamamoto	.....	D14/433
D627,784 S *	11/2010	Yamamoto	.....	D14/433
D630,632 S *	1/2011	Puls et al.	.....	D14/356
D631,869 S *	2/2011	Yamamoto	.....	D14/217

\* cited by examiner

*Primary Examiner* — Deanna Fluegeman

(74) *Attorney, Agent, or Firm* — Joe Nieh

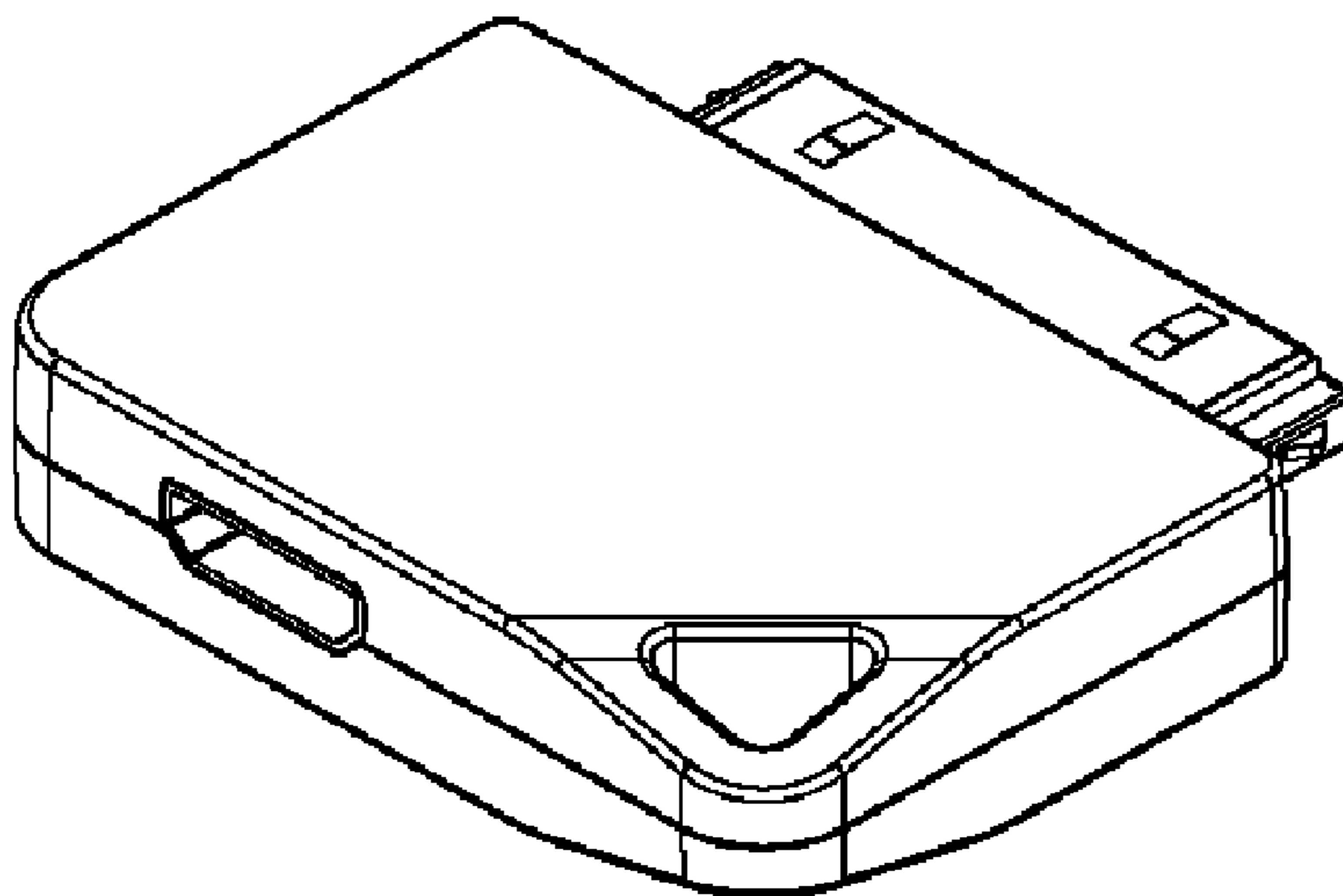
(57) **CLAIM**

The ornamental design for a micro universal serial bus adapter, as shown and described.

**DESCRIPTION**

FIG. 1 is a perspective view of a micro universal serial bus adapter showing our new design; FIG. 2 is a top view thereof; FIG. 3 is a front view thereof; FIG. 4 is a rear view thereof; FIG. 5 is a left side view thereof; FIG. 6 is a right side view thereof; and, FIG. 7 is a bottom view thereof.

**1 Claim, 2 Drawing Sheets**



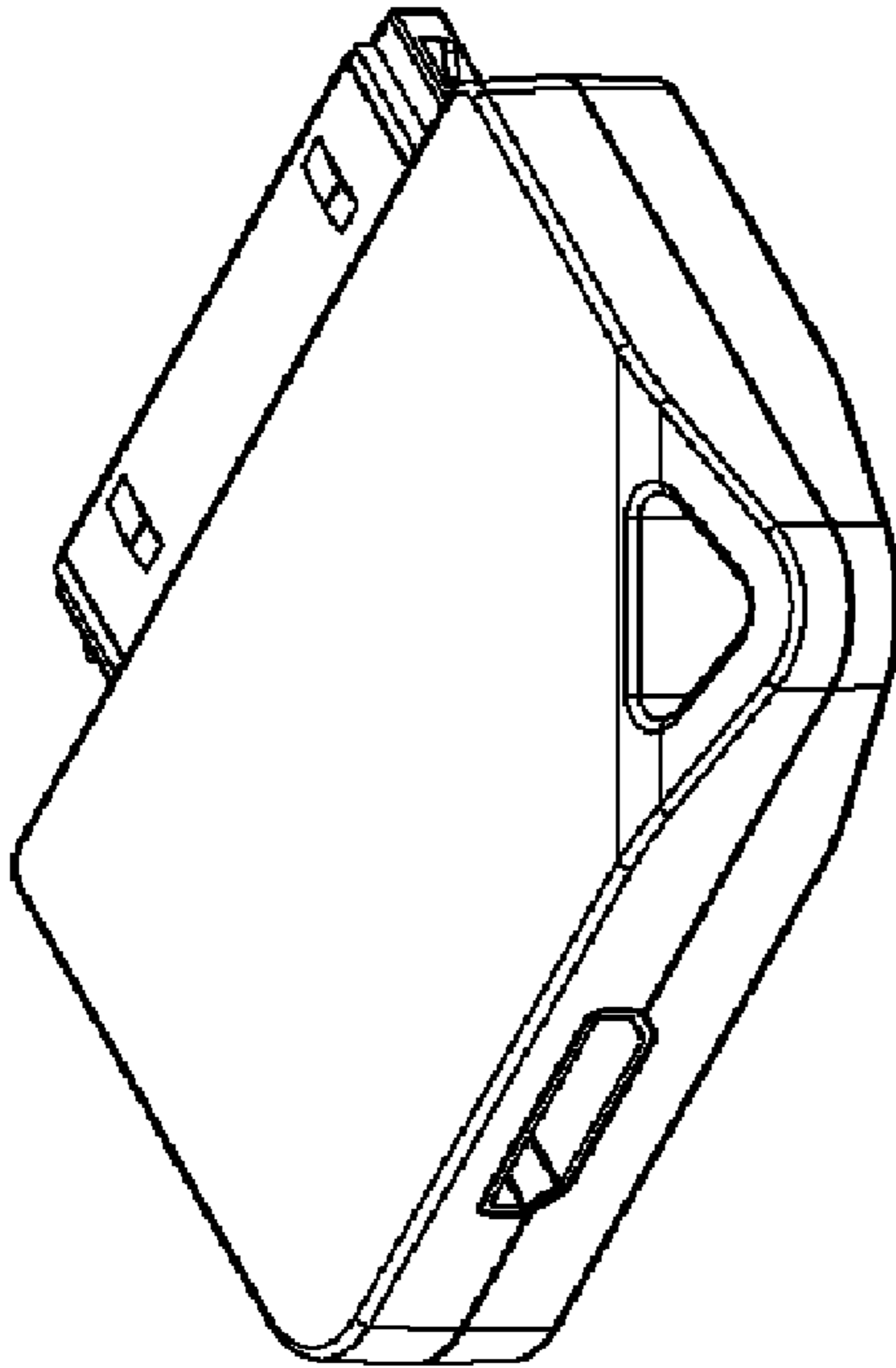


Fig. 1

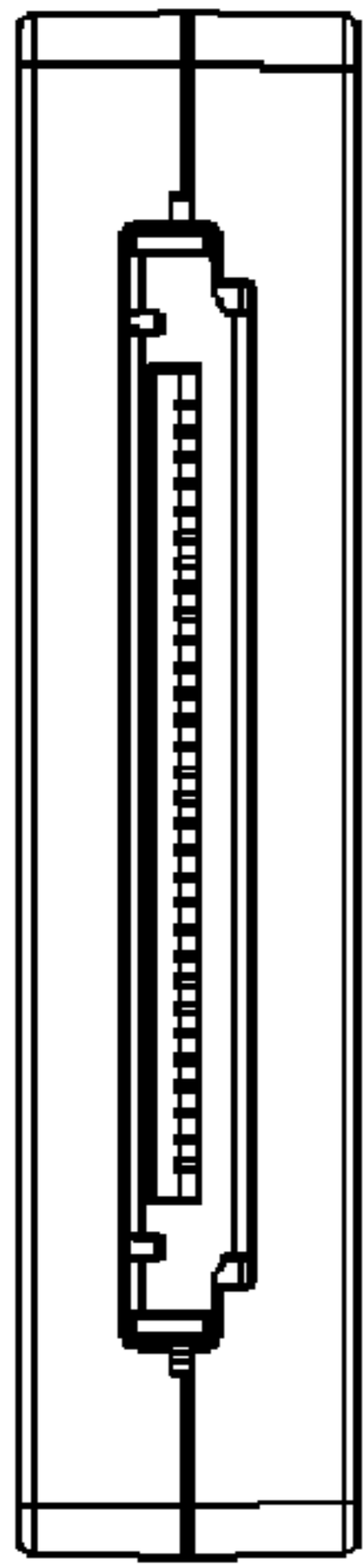


Fig. 2

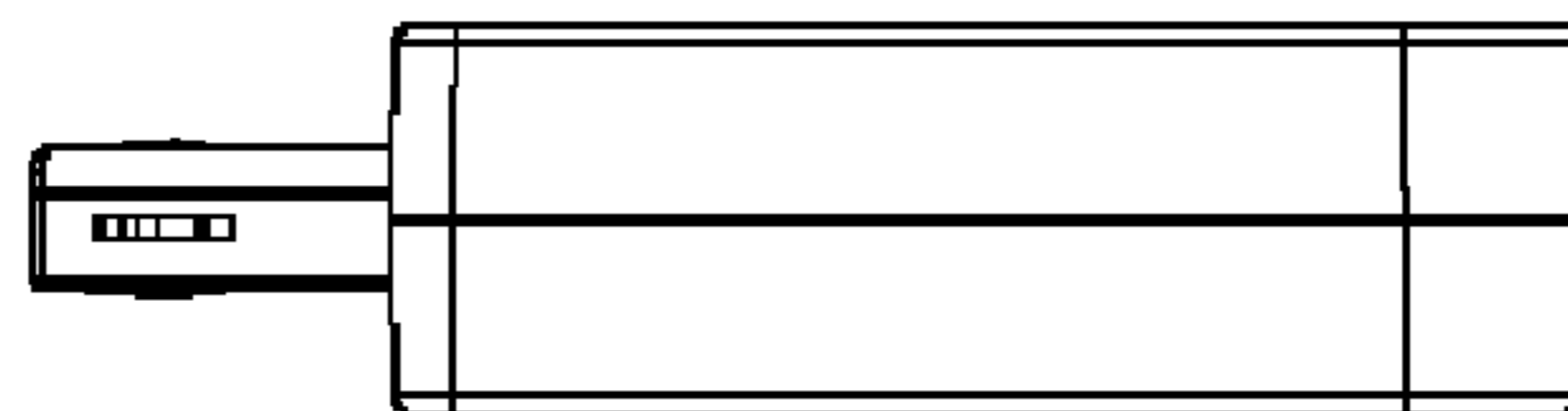


Fig. 5

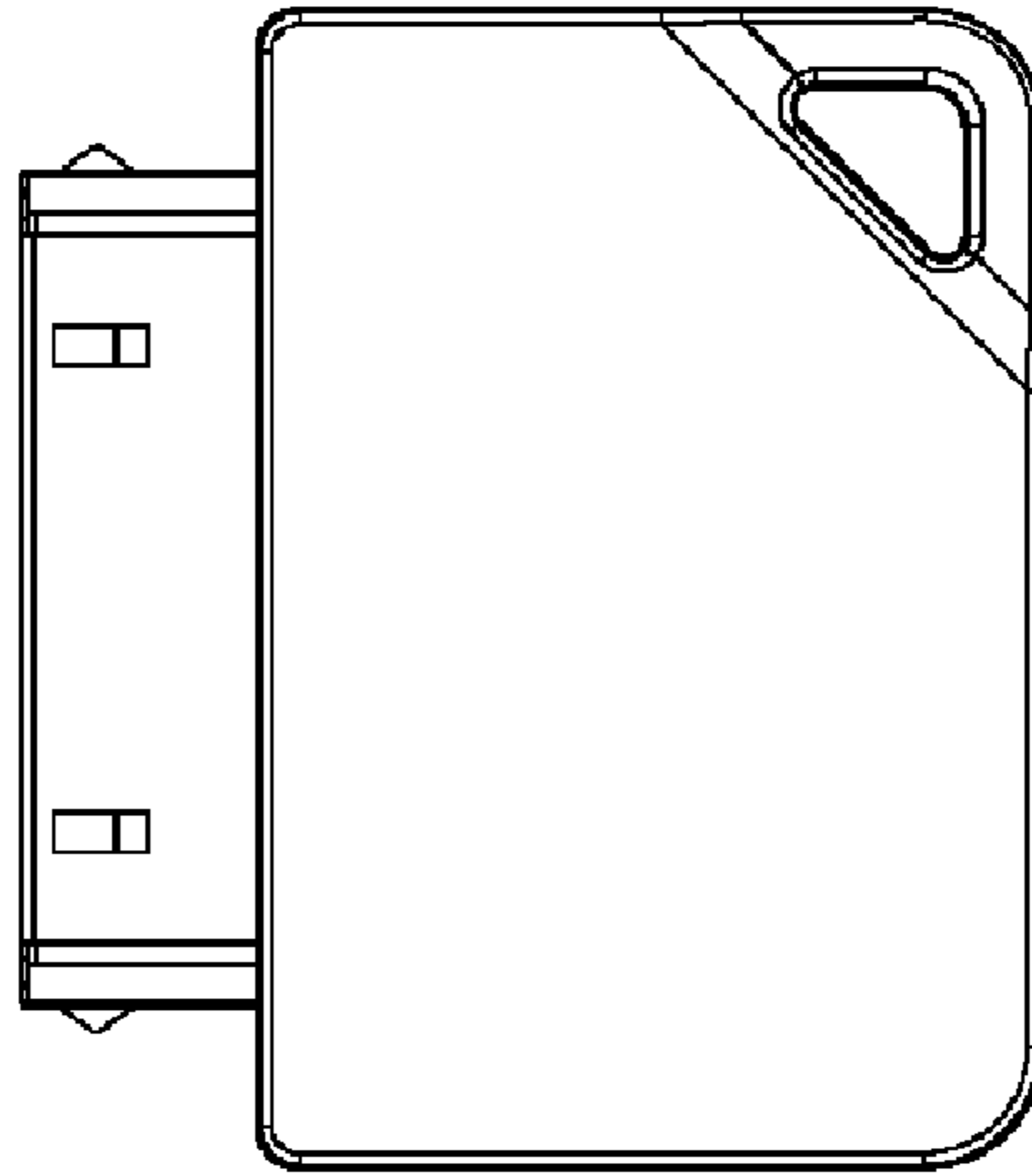


Fig. 3

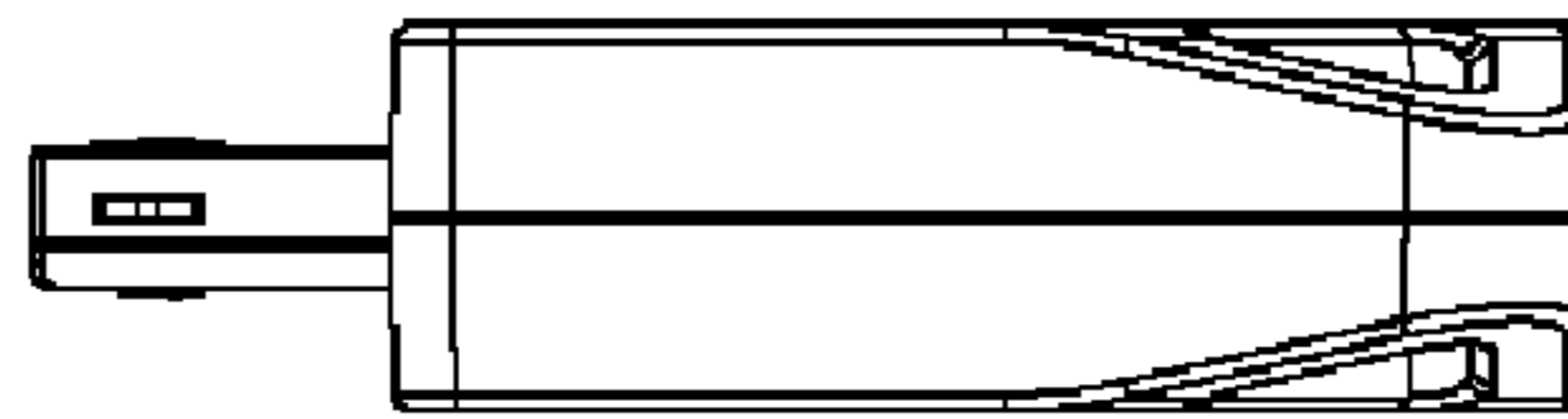


Fig. 6

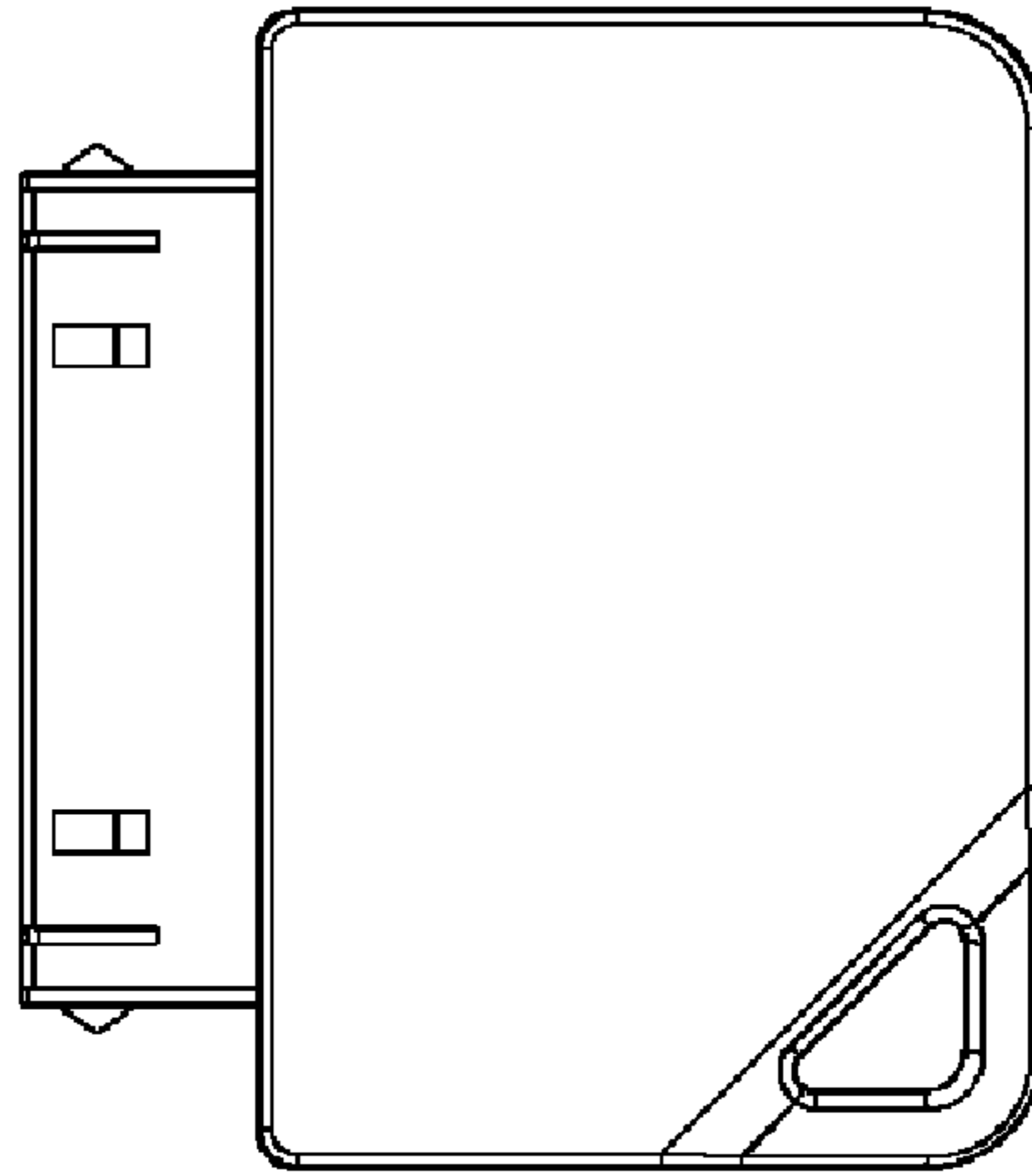


Fig. 7

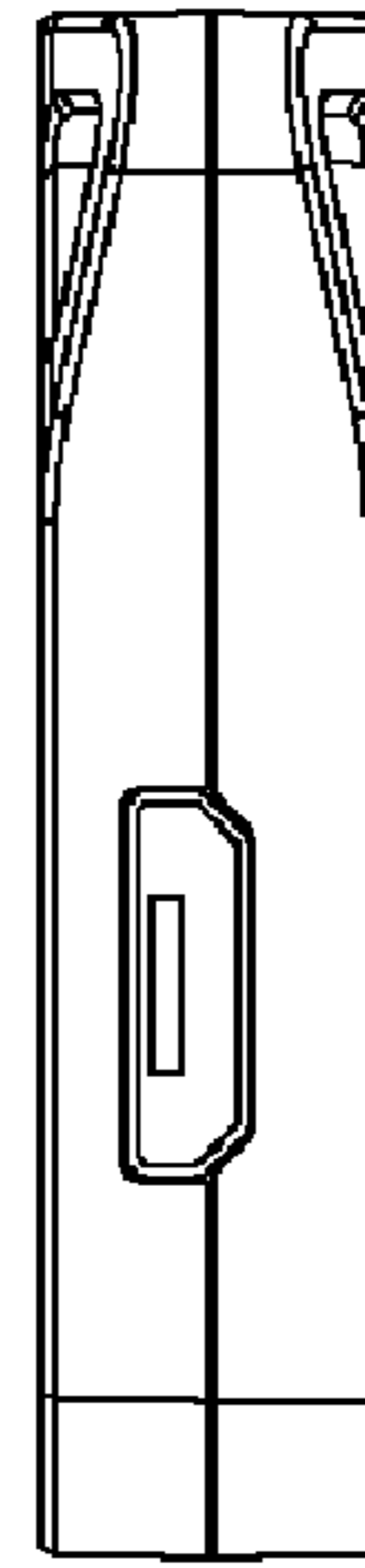


Fig. 4