

US00D641020S

(12) **United States Design Patent**
Shih et al.

(10) **Patent No.:** **US D641,020 S**

(45) **Date of Patent:** **** Jul. 5, 2011**

(54) **SLIM DISPLAY**

(75) Inventors: **Wei-Ming Shih**, Taipei County (TW);
Hui-An Ko, Taipei County (TW);
Ying-Ju Chen, Taipei County (TW)

(73) Assignee: **Amtran Technology Co., Ltd**, Taipei
County (TW)

(*) Notice: This patent is subject to a terminal dis-
claimer.

(**) Term: **14 Years**

(21) Appl. No.: **29/354,352**

(22) Filed: **Jan. 22, 2010**

(51) **LOC (9) Cl.** **14-02**

(52) **U.S. Cl.** **D14/374**

(58) **Field of Classification Search** D14/371-376,
D14/125-129, 336, 337; 248/917-924; 341/12;
345/104, 156, 173, 174, 901-905; 348/180,
348/184, 325, 739, 837; 361/679.01, 679.02,
361/679.21-679.25; 349/1, 2, 11, 58
See application file for complete search history.

(56) **References Cited**

U.S. PATENT DOCUMENTS

6,381,125 B1 * 4/2002 Mizoguchi et al. 361/679.08
D494,941 S * 8/2004 Kim D14/126
6,807,051 B2 * 10/2004 Takahashi 361/679.23
D522,509 S * 6/2006 Park et al. D14/375
D543,982 S * 6/2007 Hasegawa et al. D14/371
D544,861 S * 6/2007 Hwang D14/375
D551,186 S * 9/2007 Yang et al. D14/126
7,280,665 B2 * 10/2007 Tamura et al. 381/333

D556,160 S * 11/2007 Lee et al. D14/126
D563,335 S * 3/2008 Murata et al. D14/126
D585,062 S * 1/2009 Ding et al. D14/375
D595,295 S * 6/2009 Shim D14/374
2004/0217244 A1 * 11/2004 Wu et al. 248/278.1
* cited by examiner

Primary Examiner — Freda S Nunn

(74) *Attorney, Agent, or Firm* — Tim Tingkang Xia; Morris,
Manning & Martin LLP

(57) **CLAIM**

The ornamental design for a slim display, as shown and
described.

DESCRIPTION

FIG. 1 is a perspective view of slim display showing our new
design;

FIG. 2 is an enlarged fragmented view as indicated by ele-
ment 2 in FIG. 1;

FIG. 3 is a front view thereof;

FIG. 4 is a rear view thereof;

FIG. 5 is a left side elevational view thereof;

FIG. 6 is an enlarged fragmented view as indicated by ele-
ment 6 in FIG. 5;

FIG. 7 is a right side elevational view thereof;

FIG. 8 is an enlarged fragmented view as indicated by ele-
ment 8 in FIG. 7;

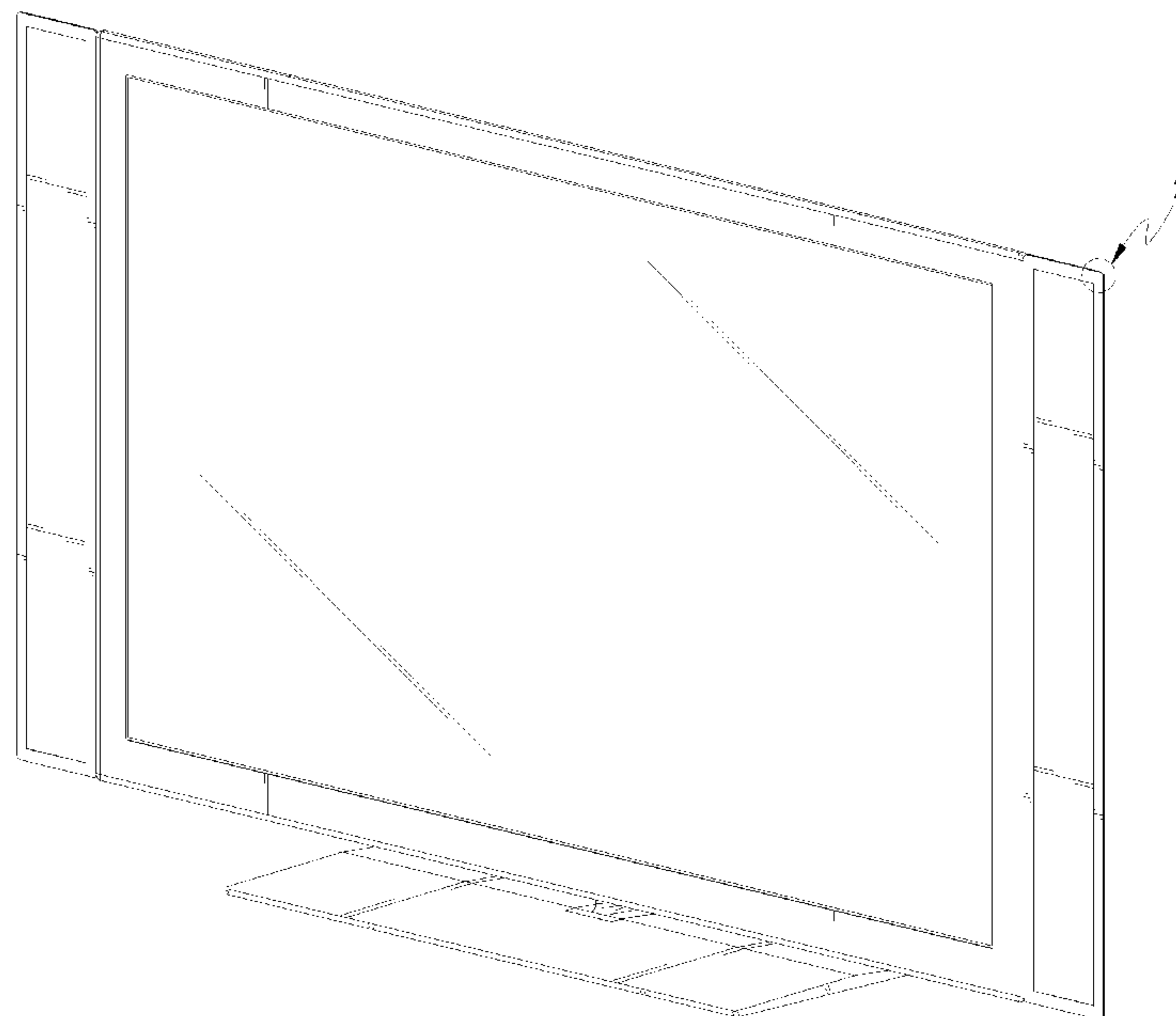
FIG. 9 is a top view thereof;

FIG. 10 is an enlarged fragmented view as indicated by ele-
ment 10 in FIG. 9;

FIG. 11 is a bottom view thereof; and,

FIG. 12 is an enlarged fragmented view as indicated by ele-
ment 12 in FIG. 11.

1 Claim, 8 Drawing Sheets



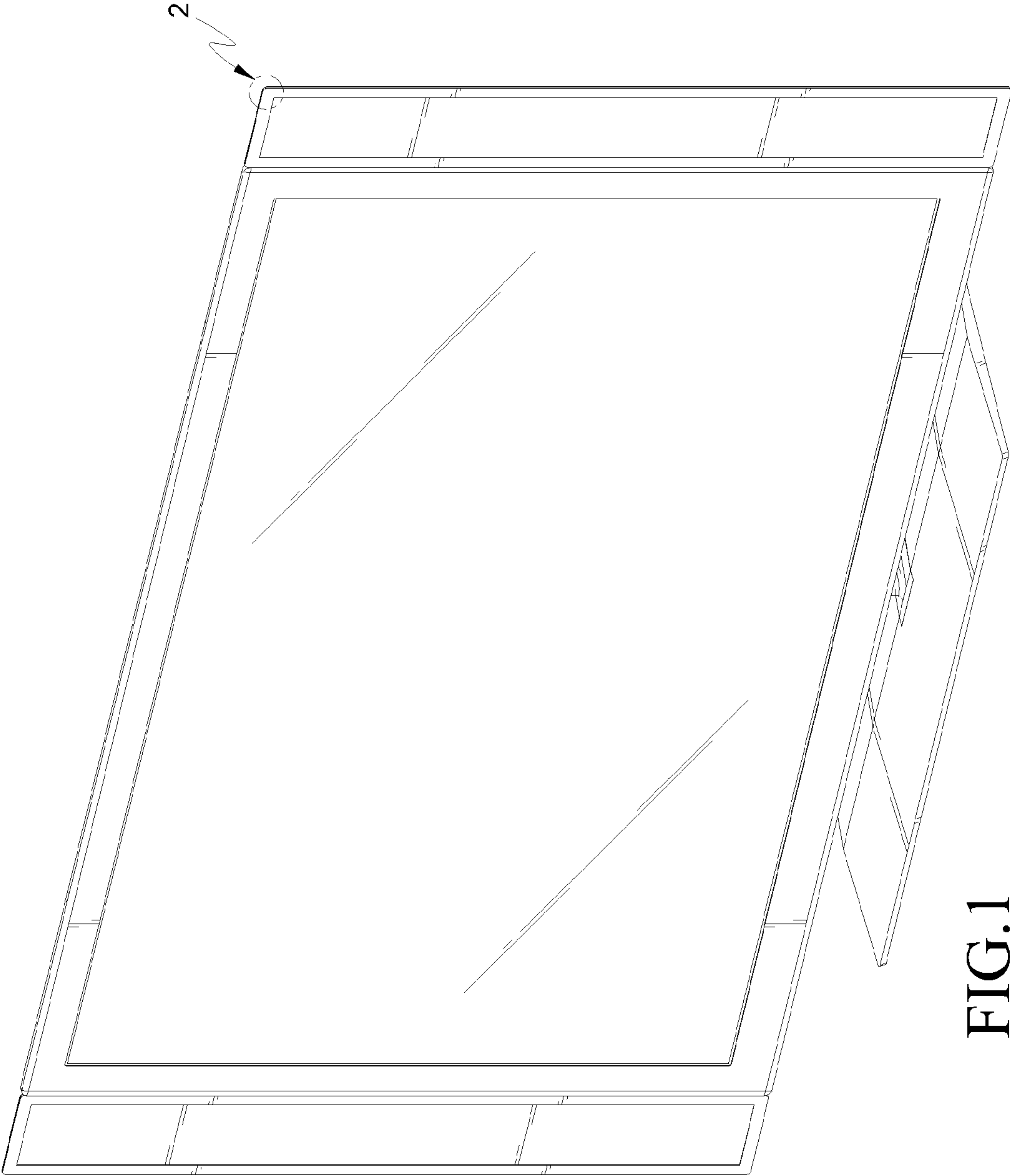


FIG. 1

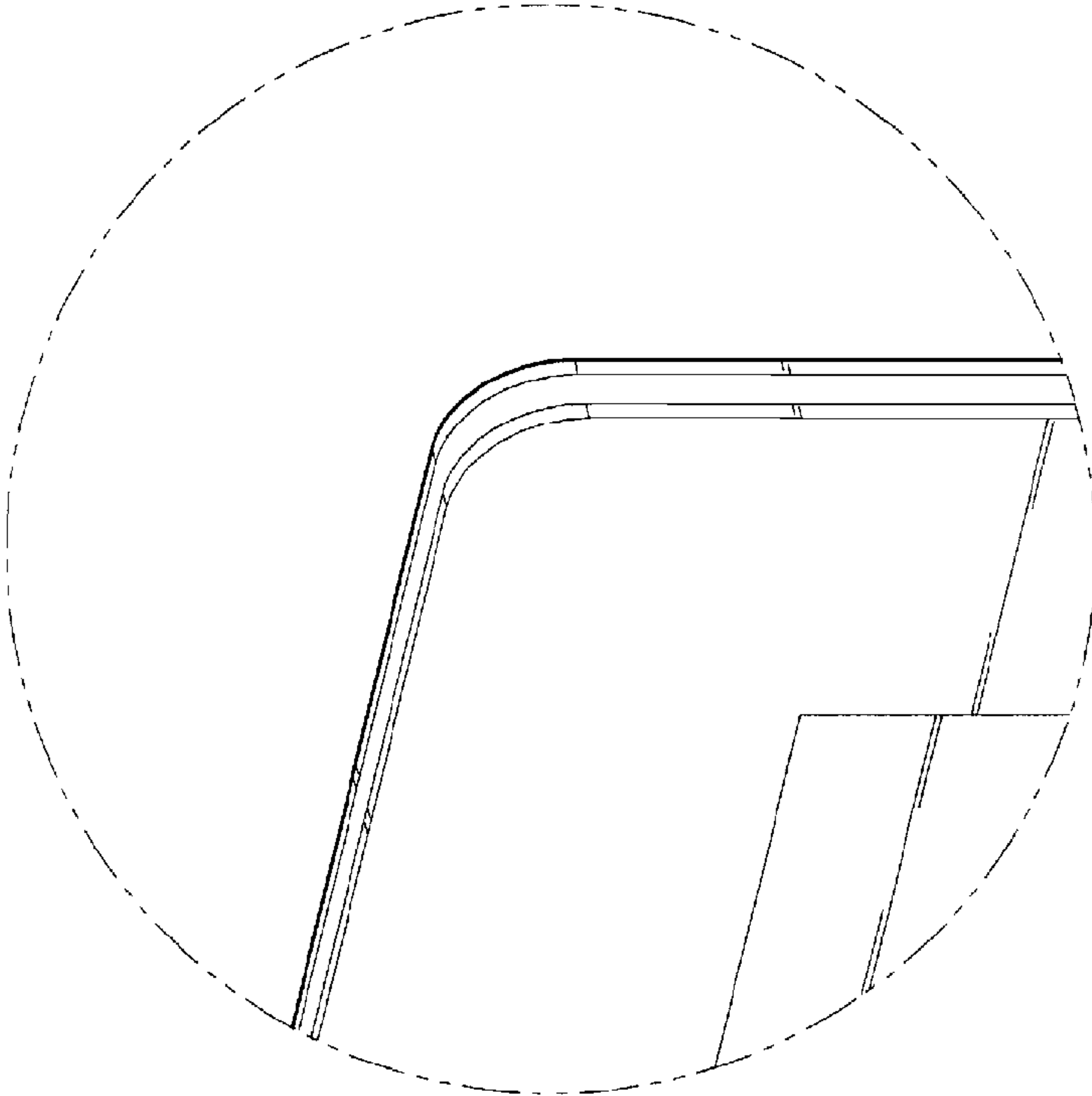


FIG.2

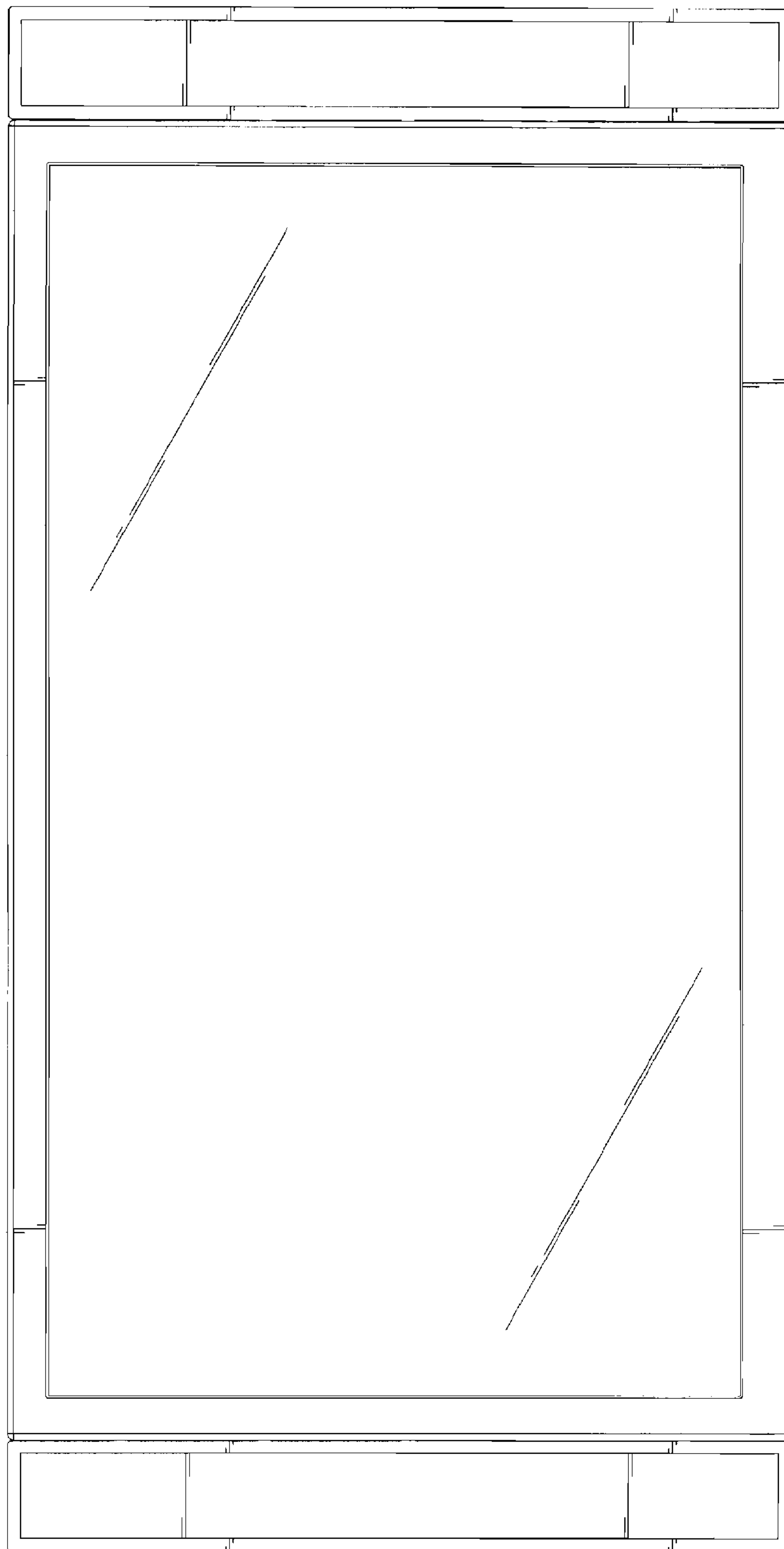


FIG.3

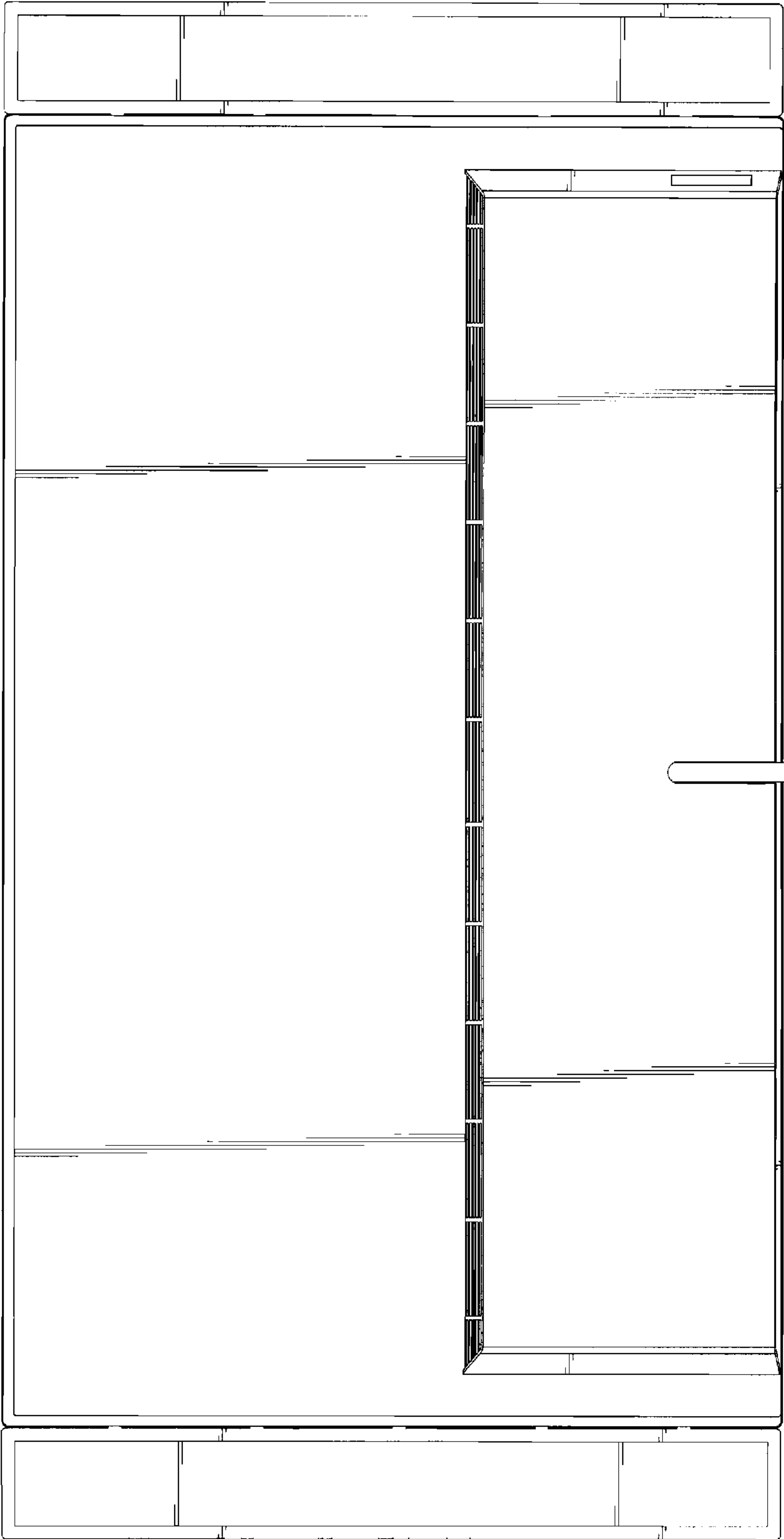


FIG.4

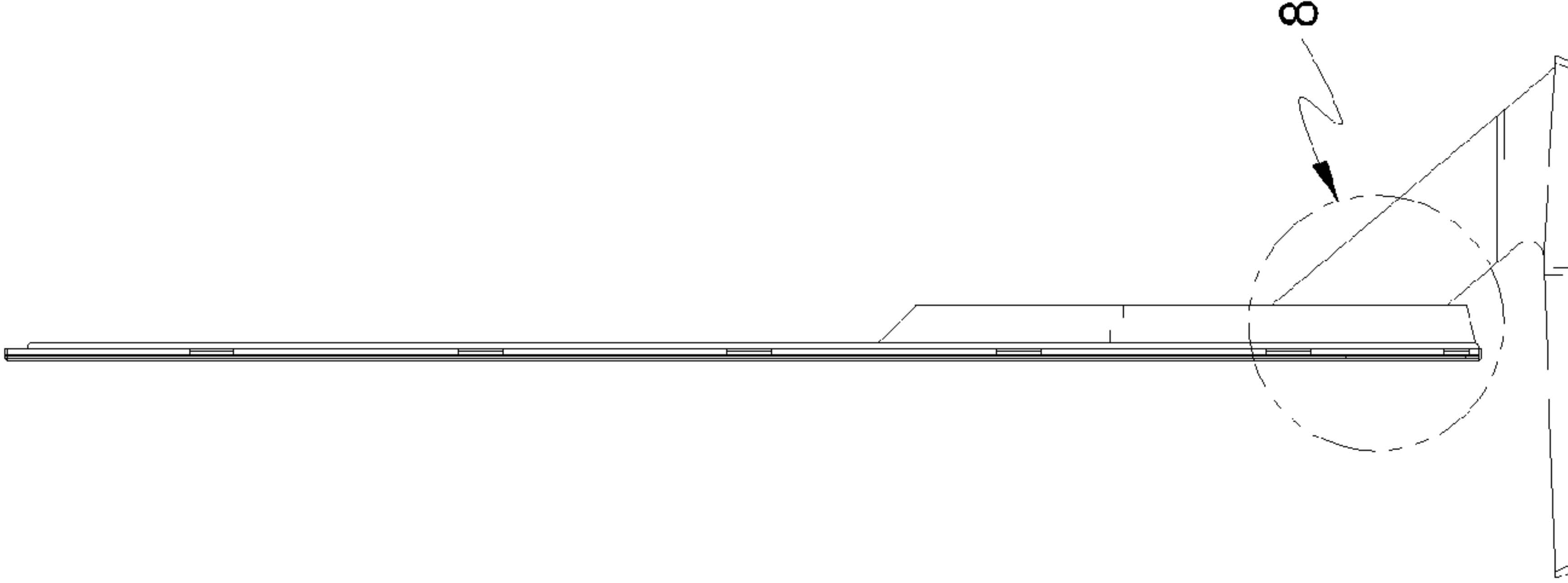


FIG. 7

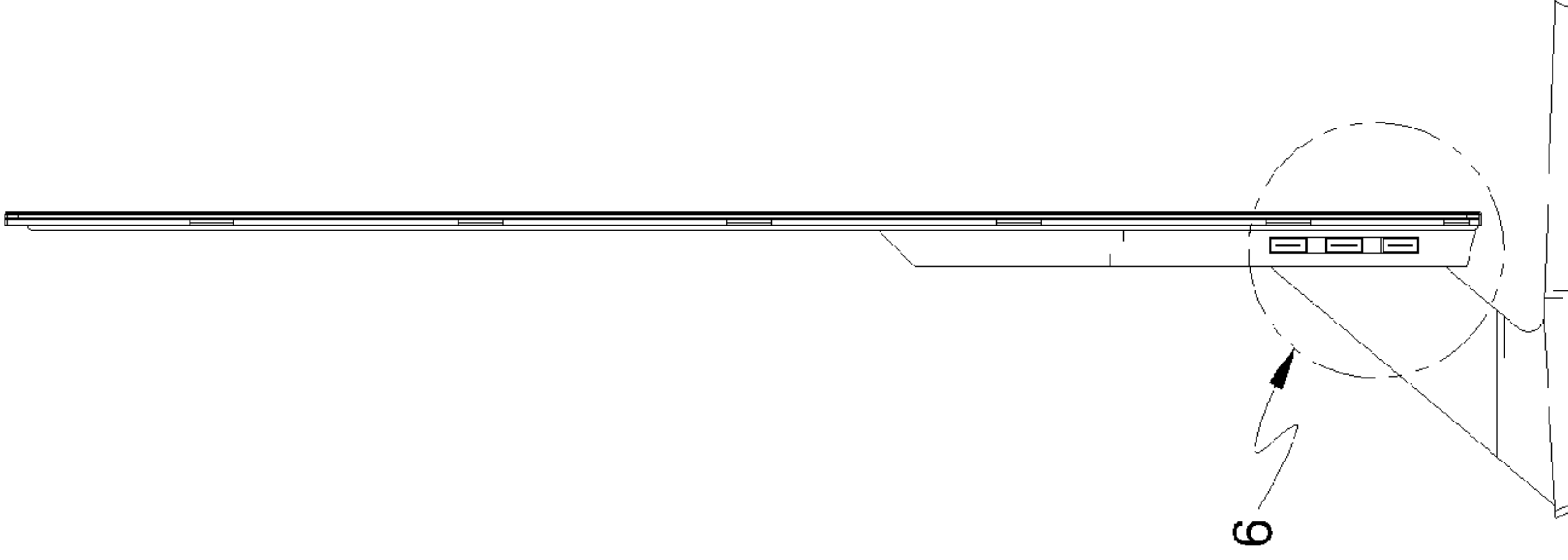


FIG. 5

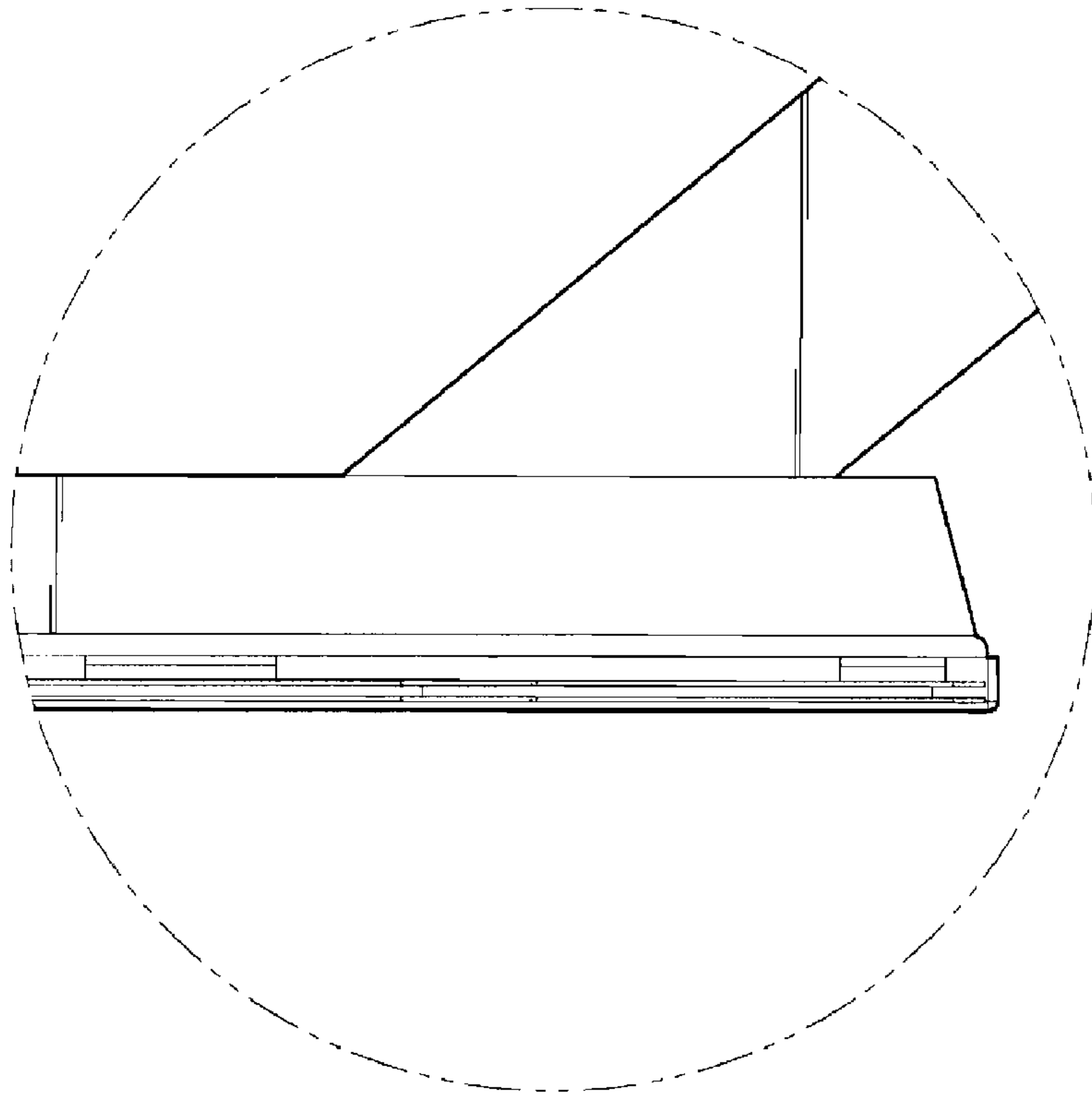


FIG. 6

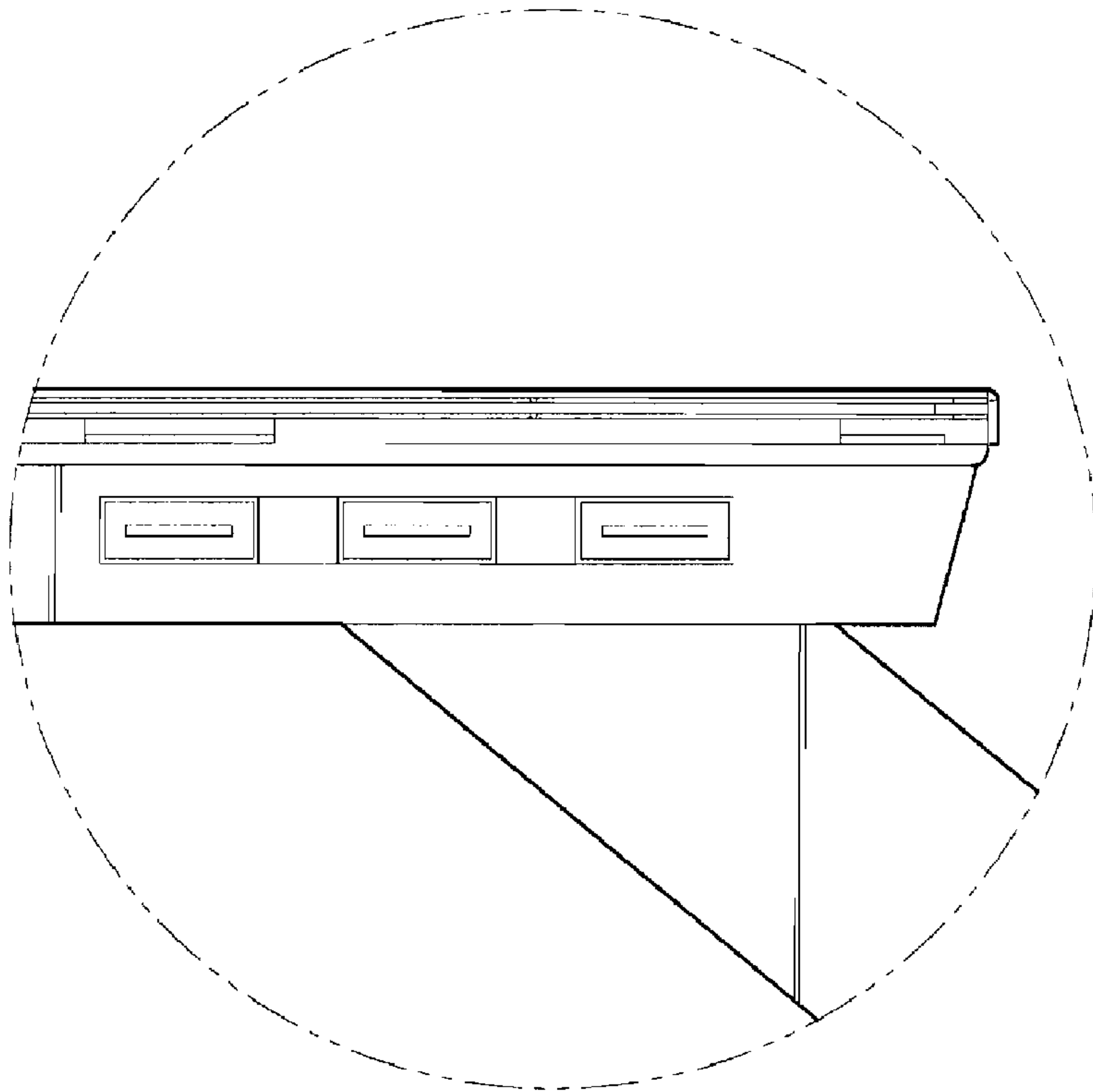


FIG. 8

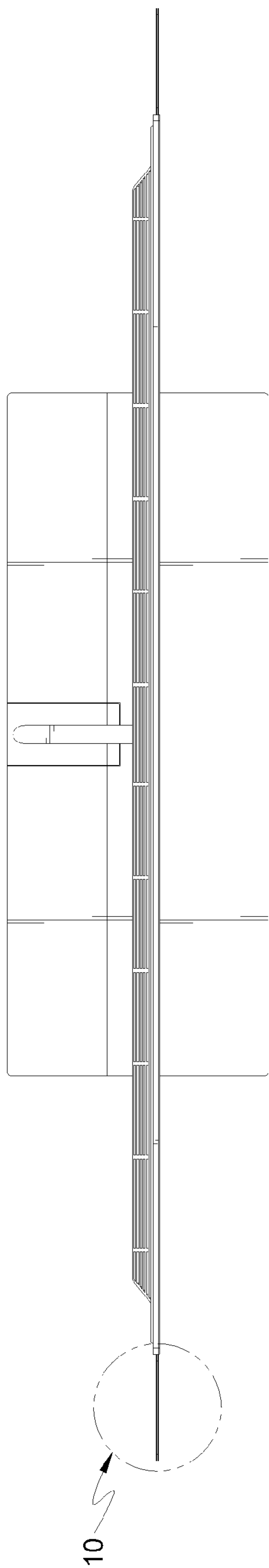


FIG. 9

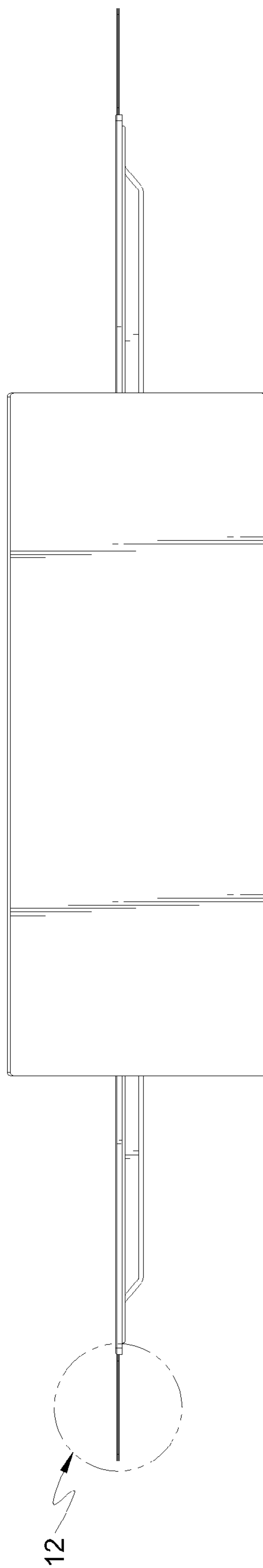


FIG. 11

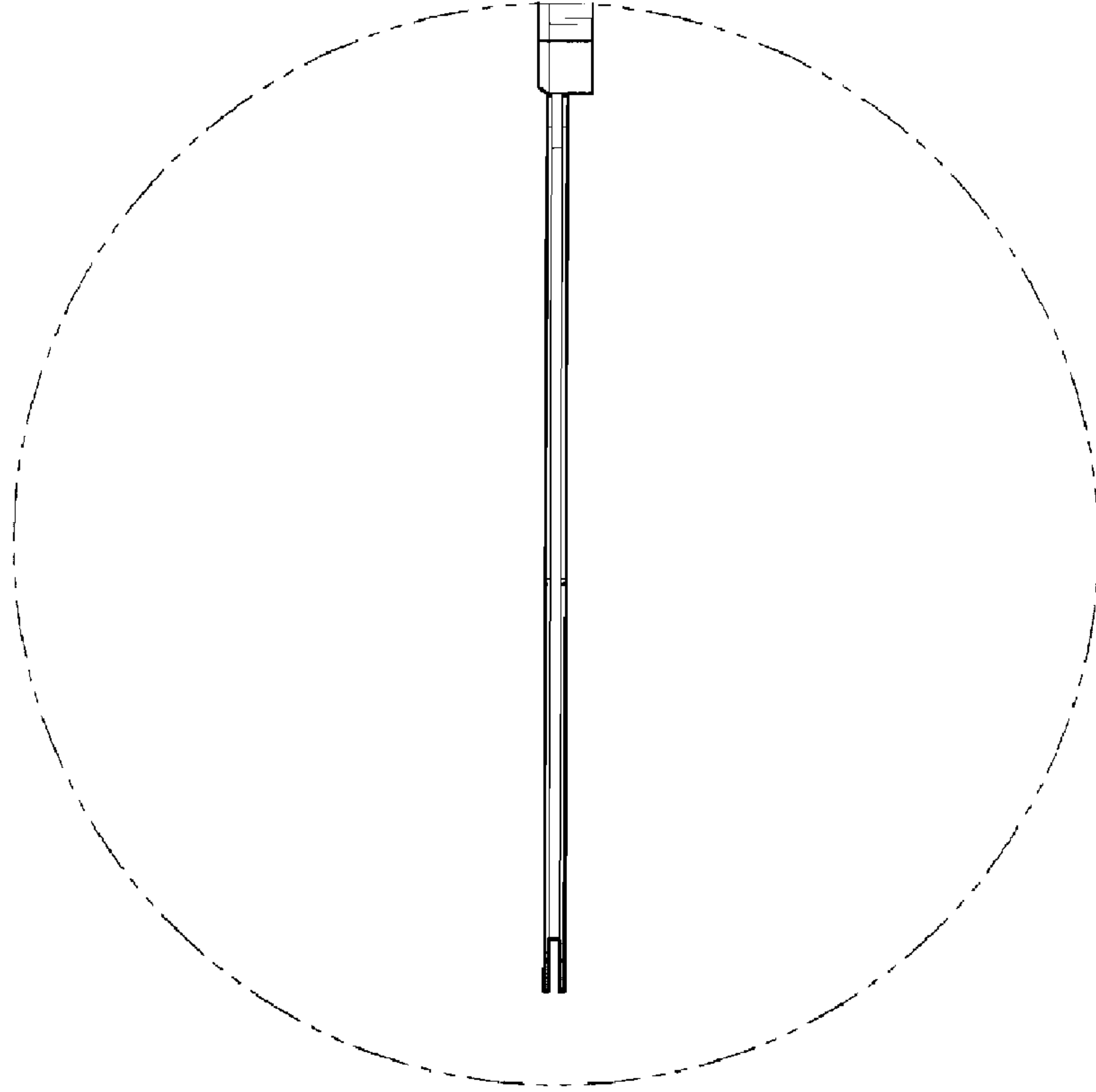


FIG.12

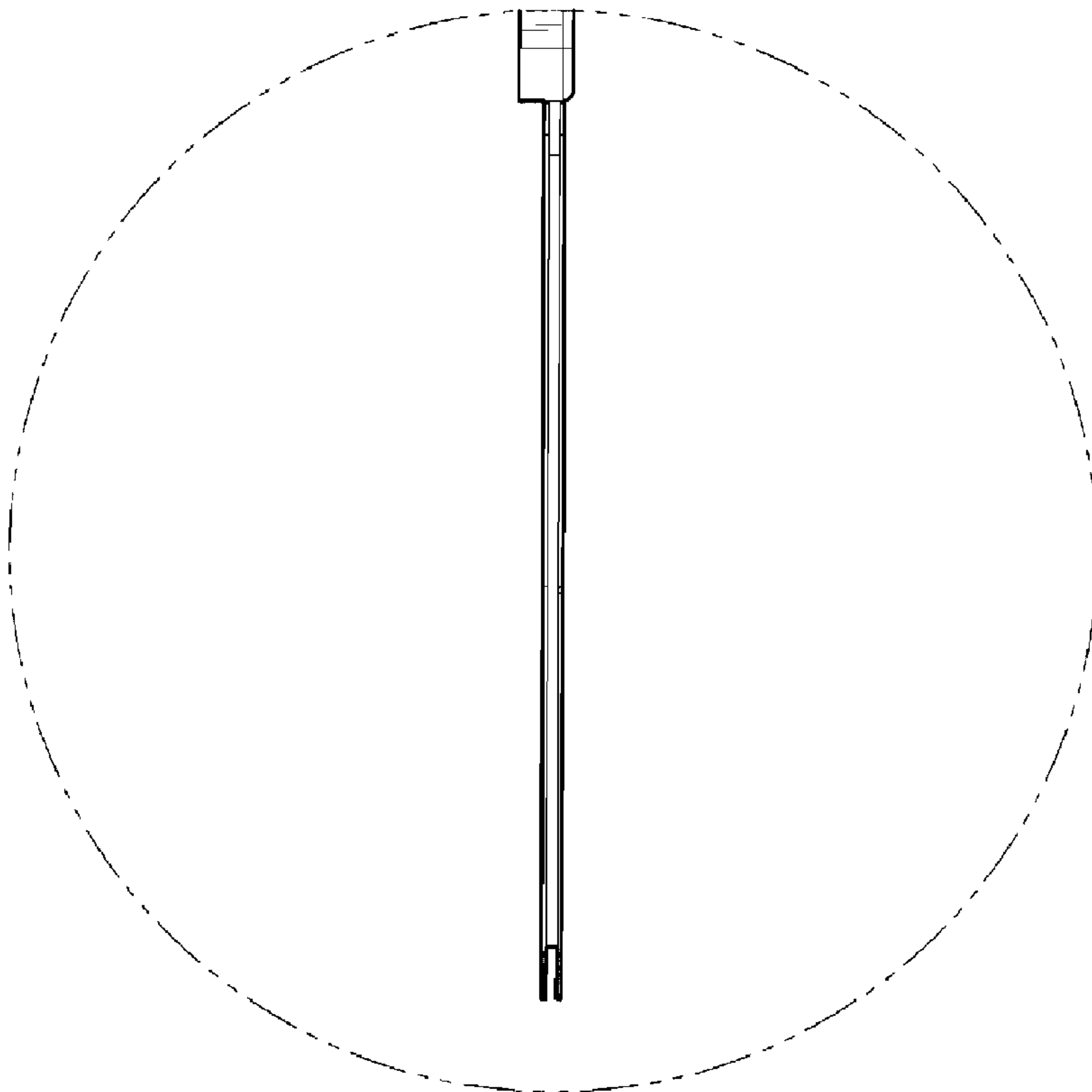


FIG.10