



US00D641013S

(12) **United States Design Patent**
Richardson et al.

(10) **Patent No.:** **US D641,013 S**

(45) **Date of Patent:** **** Jul. 5, 2011**

(54) **CASE**

(75) Inventors: **Curtis Richardson**, Fort Collins, CO (US); **Jamie Johnson**, Fort Collins, CO (US); **Alan Morine**, Fort Collins, CO (US); **Stephen Willes**, Fort Collins, CO (US); **Travis Smith**, Fort Collins, CO (US)

(73) Assignee: **Otter Products, LLC**, Fort Collins, CO (US)

(**) Term: **14 Years**

(21) Appl. No.: **29/363,725**

(22) Filed: **Jun. 14, 2010**

(51) **LOC (9) Cl.** **14-03**

(52) **U.S. Cl.** **D14/250**

(58) **Field of Classification Search** D14/250, D14/440, 203.7, 217, 496; D3/201, 218, D3/269, 301, 273; D13/103; 220/4.02; 224/191, 224/240, 241, 245, 682-683; 248/309.1; 361/679.56; 379/426, 433.11, 455; 455/575.1, 455/575.8; 190/100; 206/305, 320
See application file for complete search history.

(56) **References Cited**

U.S. PATENT DOCUMENTS

4,762,227	A	8/1988	Patterson
D312,534	S	12/1990	Nelson et al.
5,092,459	A	3/1992	Uijanic et al.
D325,471	S	4/1992	McCain et al.
5,175,873	A	12/1992	Goldenburg et al.
D337,435	S	7/1993	Kaneko et al.
D362,542	S	9/1995	Richards et al.
D365,927	S	1/1996	Cho
D366,957	S	2/1996	Scheid et al.
D378,020	S	2/1997	Hatt
D397,246	S	8/1998	Hoofnagle et al.
D419,297	S	1/2000	Richardson et al.
D419,767	S	2/2000	Richardson et al.
D419,768	S	2/2000	Richardson et al.
6,049,813	A	4/2000	Danielson et al.
6,239,968	B1	5/2001	Kim et al.

D443,133	S	6/2001	Richardson et al.
6,317,313	B1	11/2001	Mosgrove et al.
6,388,877	B1	5/2002	Canova, Jr. et al.
D459,346	S	6/2002	Powell
6,415,138	B2	7/2002	Sirola et al.
6,445,577	B1	9/2002	Madsen et al.
6,456,487	B1	9/2002	Hetterick
6,471,056	B1	10/2002	Tzeng et al.
6,519,141	B2	2/2003	Tseng et al.
6,536,589	B2	3/2003	Chang

(Continued)

OTHER PUBLICATIONS

OtterBox Defender Series Case for Apple iPhone 4, <URL:http://demandware.edgesuite.net/aaez_prd/on/demandware.static/Sites-otterbox_us-Site/Sites-masterCatalog_OtterBox/default/v1298368934261/pdfs/apl2-i4xxx-info-new.pdf>, retrieved from internet Feb. 22, 2010.*

(Continued)

Primary Examiner — Rob Spear
Assistant Examiner — Carla Jobe Wright

(57) **CLAIM**

The ornamental design for a case, as shown and described.

DESCRIPTION

FIG. 1 is a front isometric view of a case showing our new design;

FIG. 2 is a rear isometric view thereof;

FIG. 3 is a front view thereof;

FIG. 4 is a rear view thereof;

FIG. 5 is a left view thereof;

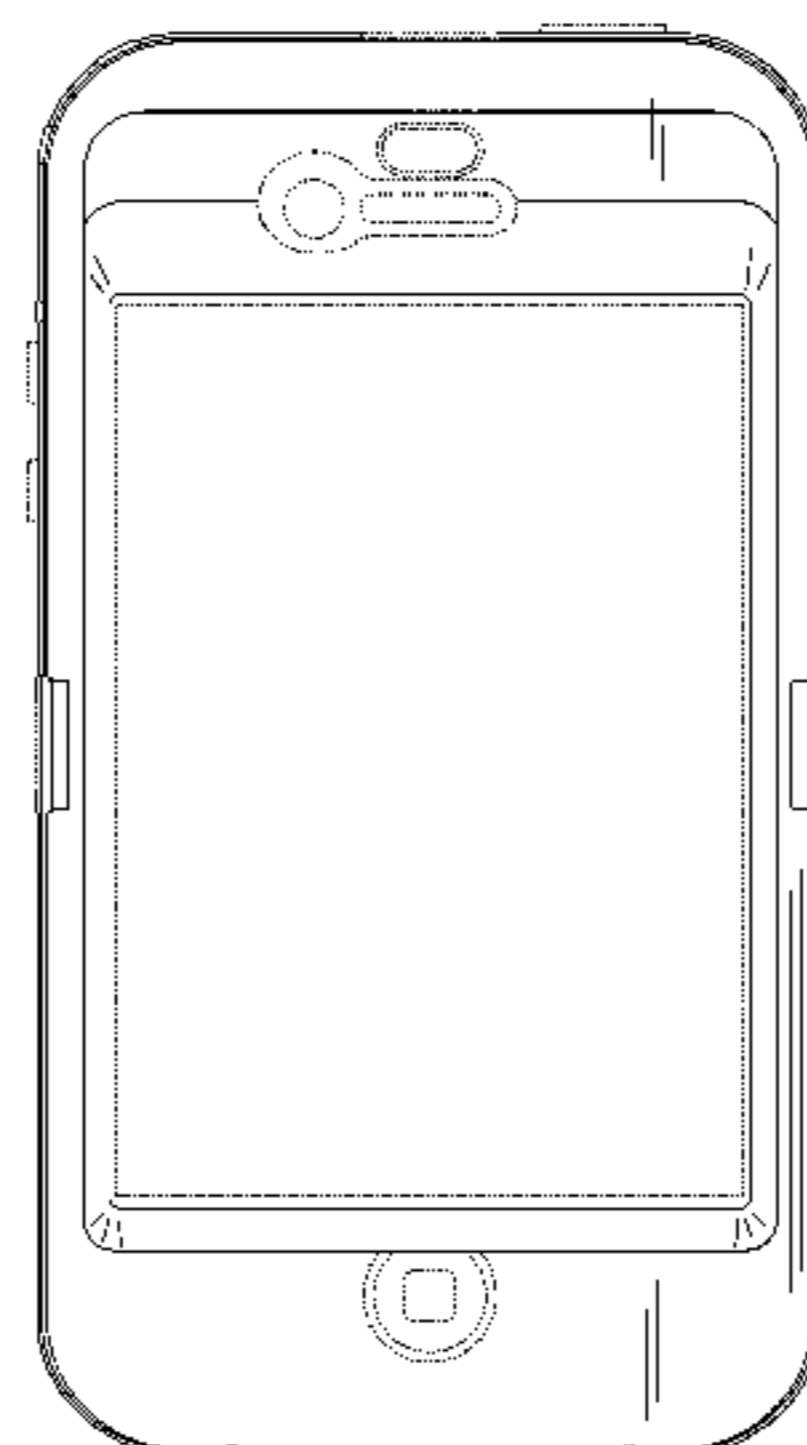
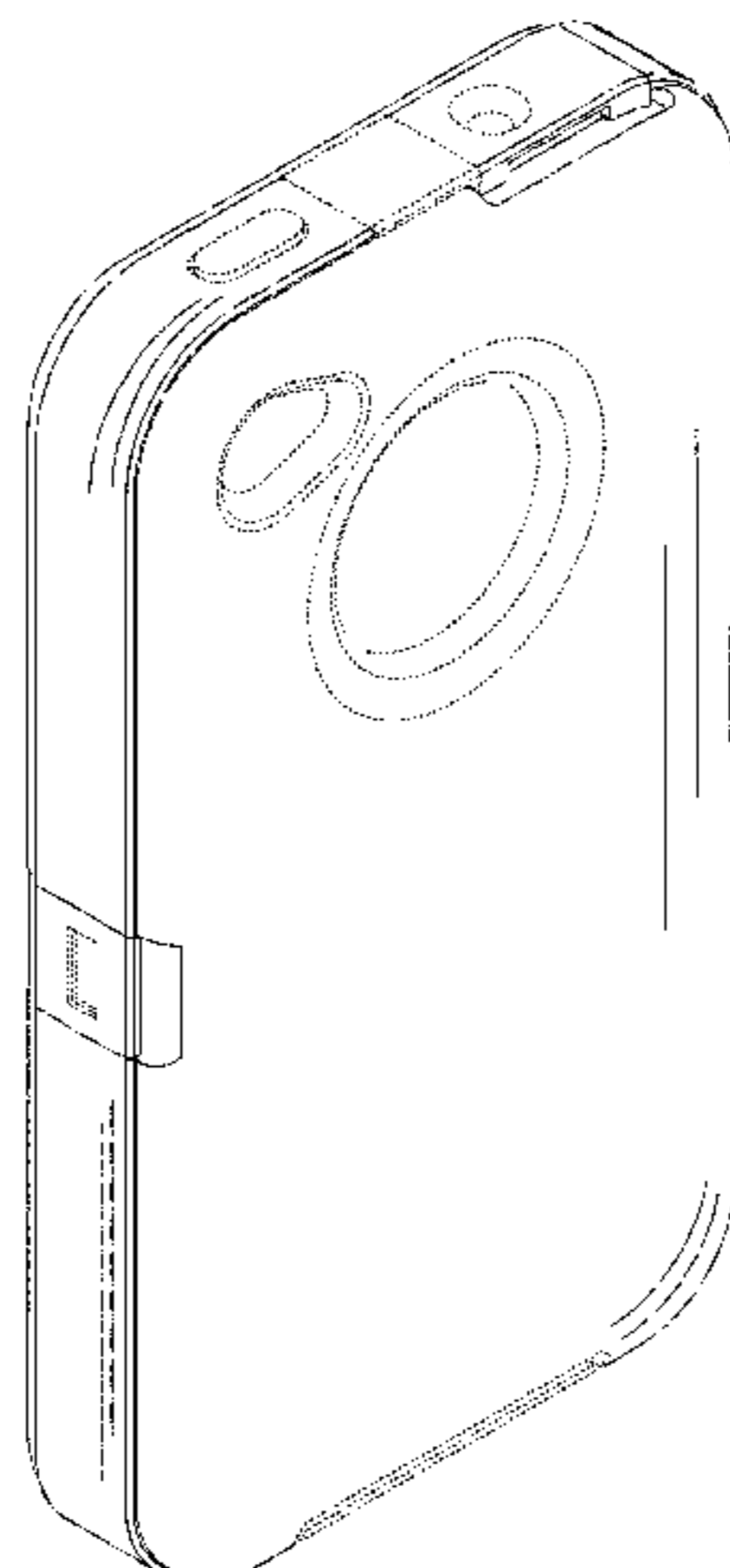
FIG. 6 is a right view thereof;

FIG. 7 is a top view thereof; and,

FIG. 8 is a bottom view thereof.

The broken line that defines the large unshaded rectangular region on the front of the case represents a boundary of the claimed design. The broken lines immediately adjacent the claimed surfaces also represent boundaries of the claimed design. The broken lines and unshaded surfaces bounded by broken lines form no part of the claimed design.

1 Claim, 6 Drawing Sheets



US D641,013 S

U.S. PATENT DOCUMENTS

D472,384 S	4/2003	Richardson	
D484,874 S	1/2004	Chang et al.	
D499,091 S	11/2004	Taylor	
D513,123 S	12/2005	Richardson et al.	
D513,451 S	1/2006	Richardson et al.	
D514,808 S	2/2006	Morine et al.	
6,995,976 B2	2/2006	Richardson et al.	
D516,309 S	3/2006	Richardson et al.	
D516,553 S	3/2006	Richardson et al.	
D516,554 S	3/2006	Richardson et al.	
D516,807 S	3/2006	Richardson et al.	
D517,037 S	3/2006	Corley et al.	
D521,993 S	5/2006	Pletikosa et al.	
D522,485 S	6/2006	Griffin	
D526,780 S	8/2006	Richardson et al.	
D530,079 S	10/2006	Richardson et al.	
D531,628 S	11/2006	Pletikosa et al.	
7,158,376 B2	1/2007	Richardson et al.	
7,180,735 B2	2/2007	Richardson et al.	
D542,524 S	5/2007	Richardson et al.	
7,230,823 B2	6/2007	Richardson et al.	
7,255,228 B2	8/2007	Kim	
D553,852 S	10/2007	Brandenburg	
D554,502 S *	11/2007	Hoffman et al.	D9/432
D556,448 S	12/2007	Brandenburg	
D556,681 S	12/2007	Kim	
D557,205 S	12/2007	Kim	
D557,264 S	12/2007	Richardson et al.	
D557,897 S	12/2007	Richardson et al.	
D561,764 S	2/2008	Griffin et al.	
D563,093 S	3/2008	Nussberger	
D565,291 S	4/2008	Brandenburg	
D566,962 S	4/2008	Griffin et al.	
D570,593 S	6/2008	Justiss	
D570,839 S	6/2008	Hofer et al.	
D574,819 S	8/2008	Andre et al.	
D574,821 S	8/2008	Griffin et al.	
D575,056 S	8/2008	Tan	
D577,014 S	9/2008	Griffin et al.	
D577,015 S	9/2008	Griffin et al.	
D581,151 S	11/2008	Aipa	
D581,155 S	11/2008	Richardson et al.	
D581,421 S	11/2008	Richardson et al.	
D582,149 S	12/2008	Tan	
D583,811 S	12/2008	Griffin et al.	
D587,008 S	2/2009	Richardson et al.	
D589,016 S	3/2009	Richardson et al.	
D592,626 S	5/2009	Griffin et al.	
D593,319 S	6/2009	Richardson et al.	
D593,551 S	6/2009	Ferrari et al.	
D593,552 S	6/2009	Ferrari et al.	
D593,556 S	6/2009	Hofer et al.	
D593,557 S	6/2009	Hofer et al.	
D593,746 S	6/2009	Richardson et al.	
D593,750 S	6/2009	Song	
D597,089 S	7/2009	Khan et al.	
D597,301 S	8/2009	Richardson et al.	
D600,908 S	9/2009	Richardson et al.	
D603,389 S	11/2009	Khan	
D603,602 S	11/2009	Richardson et al.	
D603,603 S	11/2009	Laine	
7,612,997 B1	11/2009	Diebel et al.	
D605,850 S	12/2009	Richardson et al.	
D606,528 S	12/2009	Khan et al.	
D606,529 S	12/2009	Ferrari et al.	
D609,228 S	2/2010	Ferrari et al.	
D609,463 S	2/2010	Bullen	
D609,464 S	2/2010	Bullen	
D609,900 S	2/2010	Behar et al.	
D610,807 S	3/2010	Bau	
D613,282 S	4/2010	Richardson et al.	
D615,077 S *	5/2010	Richardson et al.	D14/250
D615,078 S	5/2010	Bradley	
D615,535 S *	5/2010	Richardson et al.	D14/250
D615,967 S *	5/2010	Richardson et al.	D14/250
D616,361 S	5/2010	Huang	
D617,784 S *	6/2010	Richardson et al.	D14/250
D617,785 S *	6/2010	Richardson et al.	D14/250
D617,786 S *	6/2010	Richardson et al.	D14/250
D618,230 S	6/2010	Brown et al.	
D619,130 S *	7/2010	Fellig	D14/250
D619,361 S	7/2010	Andre et al.	
D620,487 S *	7/2010	Richardson et al.	D14/250
D621,394 S *	8/2010	Richardson et al.	D14/250
D621,821 S *	8/2010	Richardson et al.	D14/250
D621,822 S *	8/2010	Richardson et al.	D14/250
D623,179 S *	9/2010	Richardson et al.	D14/250
D623,180 S *	9/2010	Diebel	D14/250
D624,533 S *	9/2010	Richardson et al.	D14/250
D626,119 S *	10/2010	Fellig	D14/250
D626,120 S *	10/2010	Richardson et al.	D14/250
D628,568 S *	12/2010	Richardson et al.	D14/250
D632,683 S *	2/2011	Richardson et al.	D14/250
D632,684 S *	2/2011	Richardson et al.	D14/250
D632,685 S *	2/2011	Richardson et al.	D14/250
2009/0036175 A1 *	2/2009	Brandenburg et al.	455/575.1
2009/0114556 A1	5/2009	Tai et al.	
2009/0181729 A1	7/2009	Griffin et al.	
2009/0257189 A1 *	10/2009	Wang et al.	361/679.56
2010/0104814 A1 *	4/2010	Richardson et al.	428/156
2010/0203931 A1	8/2010	Hynecek et al.	

OTHER PUBLICATIONS

OtterBox Commuter Series Case for Apple iPhone 4, <URL:http://demandware.edgesuite.net/aaez_prd/on/demandware.static/Sites-otterbox_us-Site/Sites-masterCatalog_OtterBox/default/v1298368934261/pdfs/apl4-i4xxx-info.pdf>, retrieved from internet Feb. 22, 2010.*

* cited by examiner

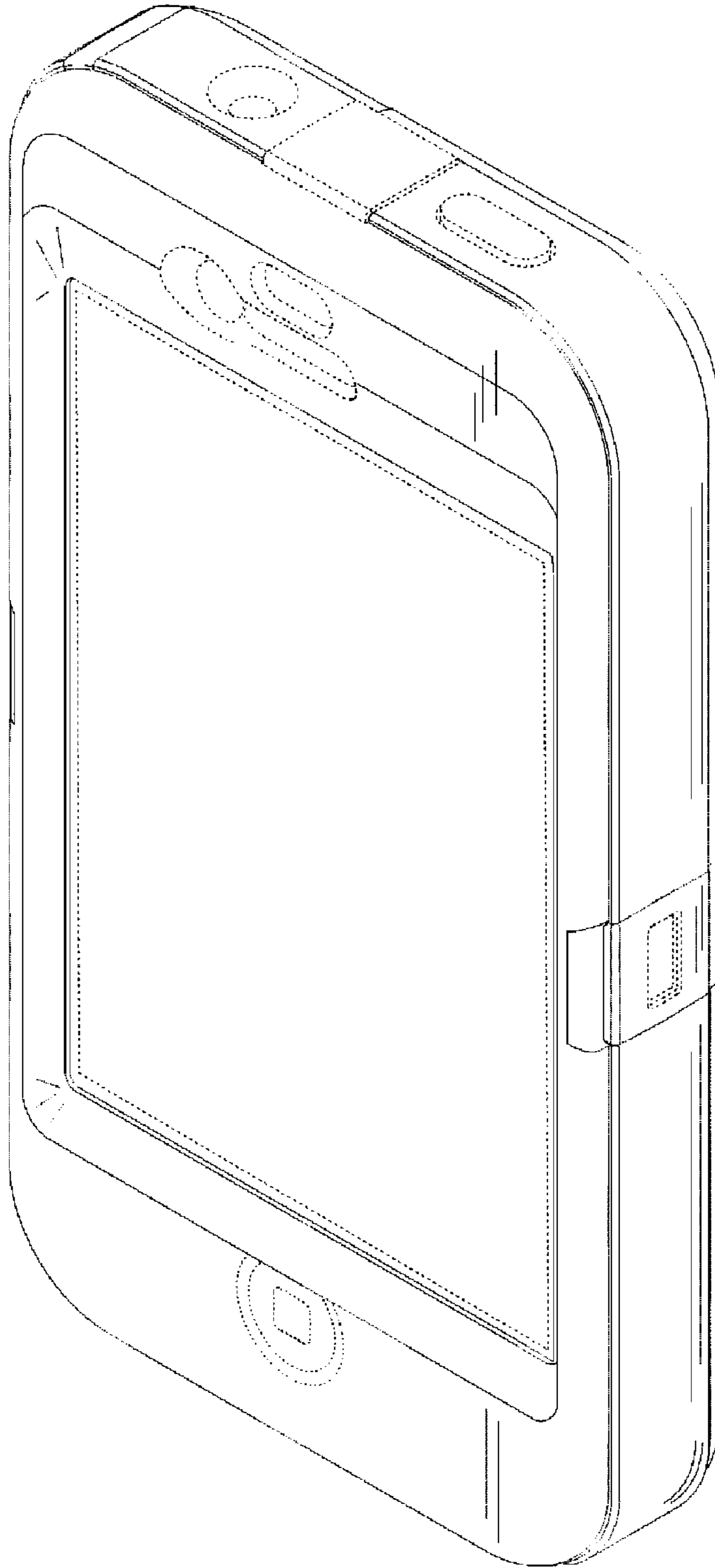


Fig. 1

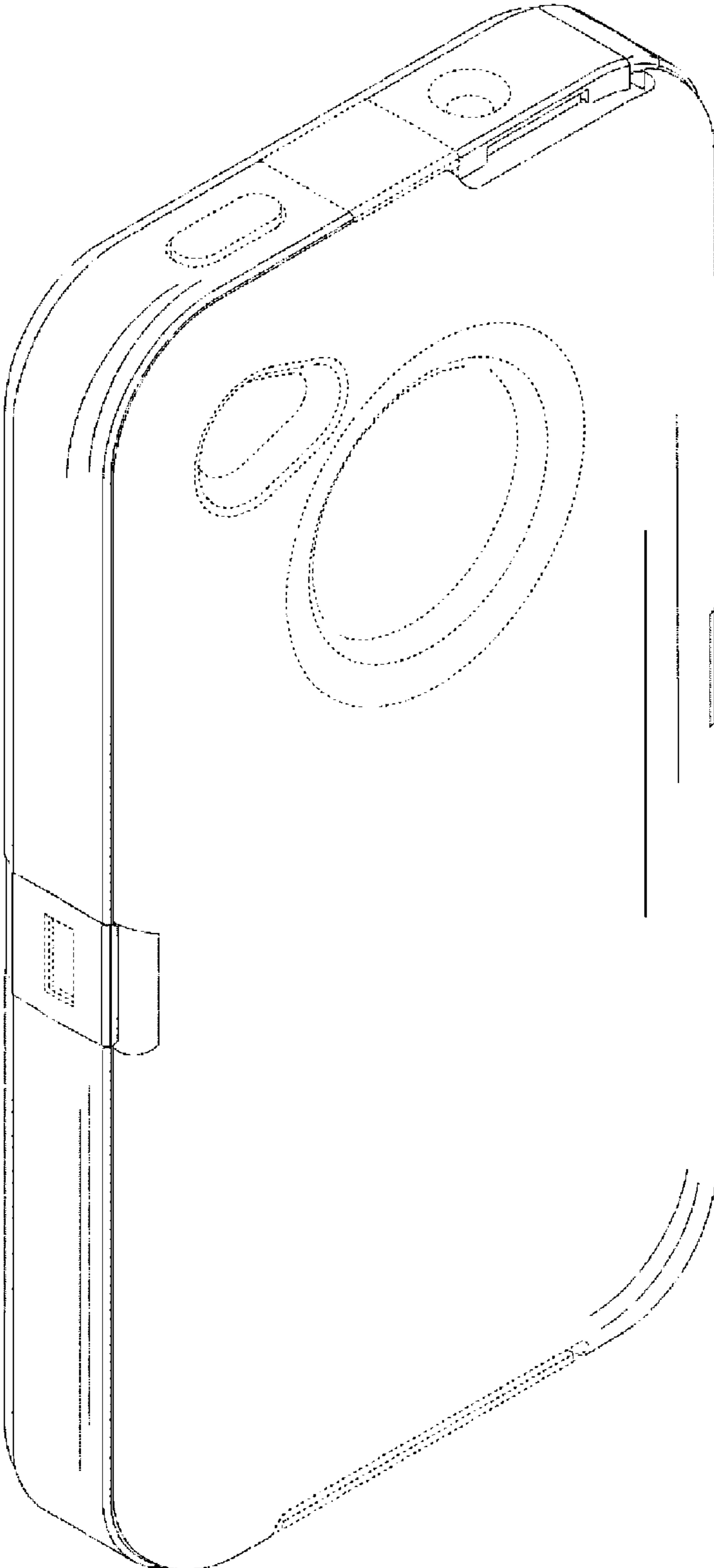


Fig. 2

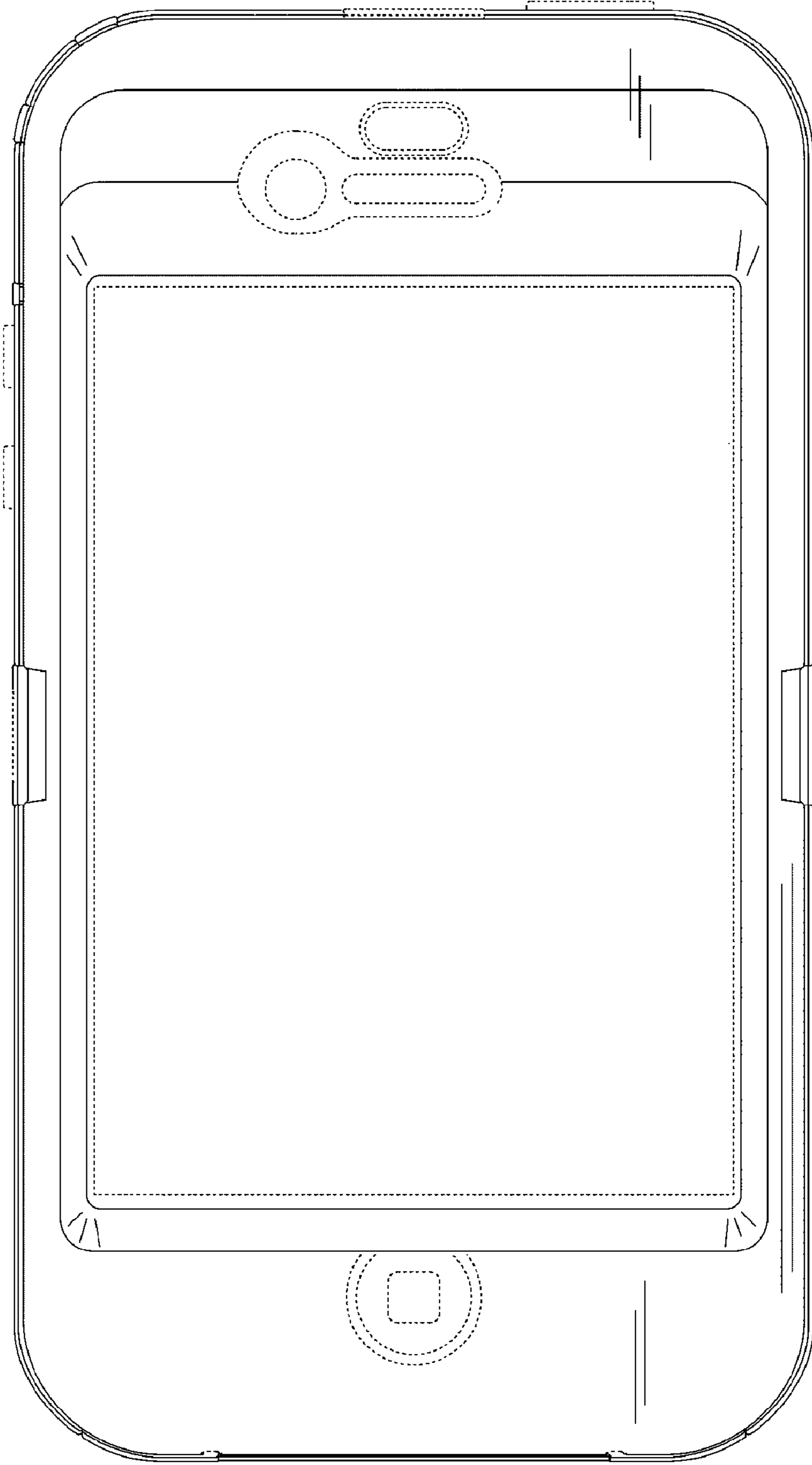


Fig. 3

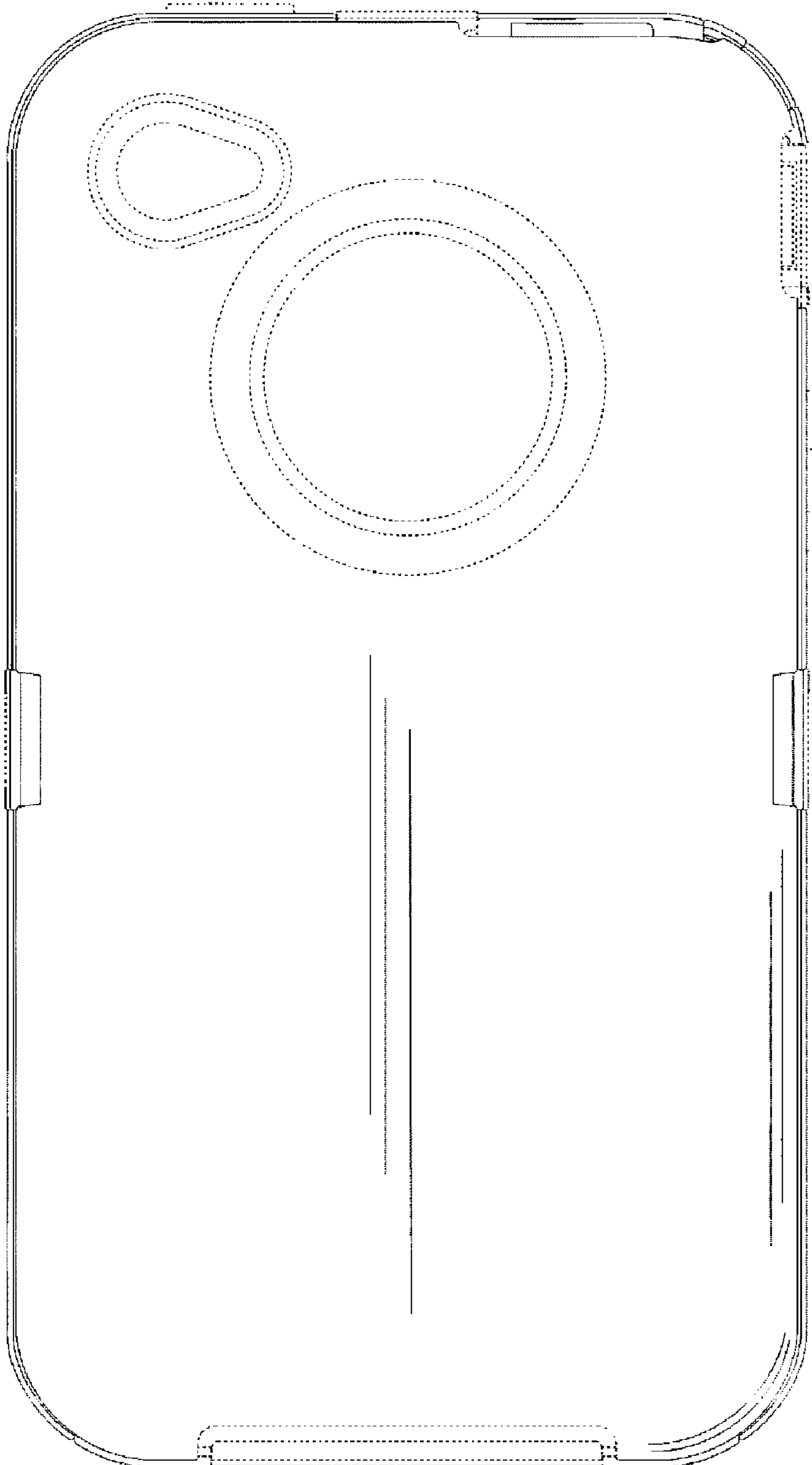


Fig. 4

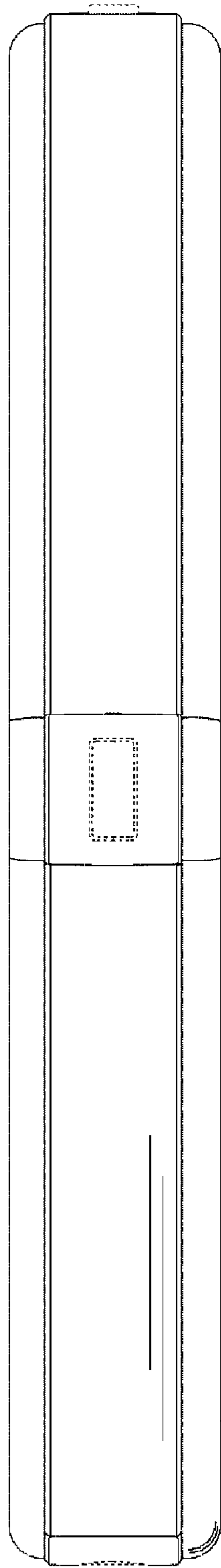


Fig. 5

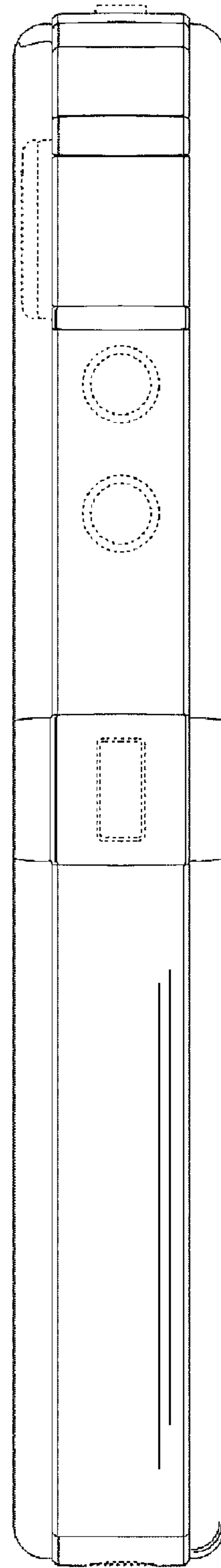


Fig. 6

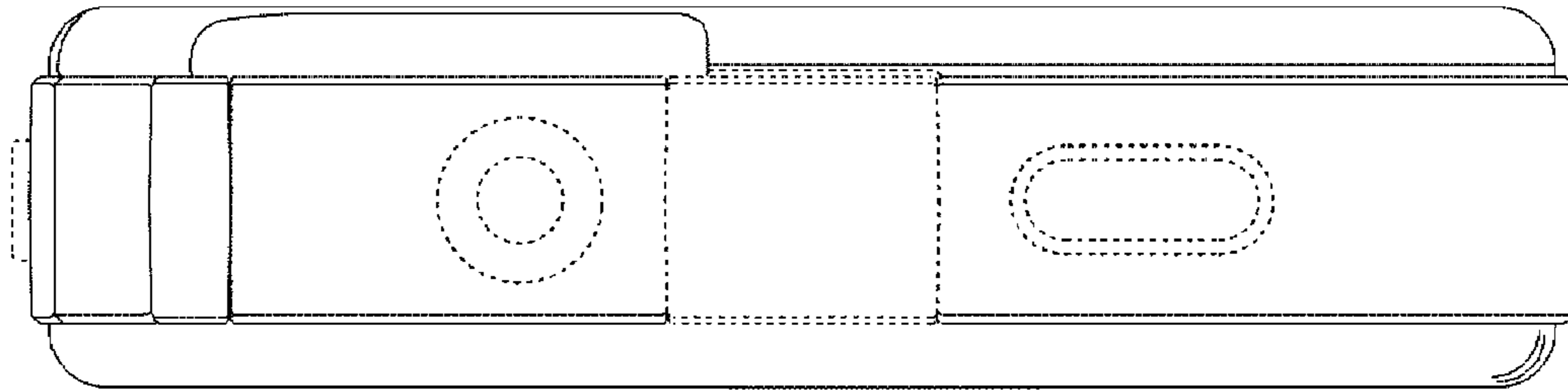


Fig. 7

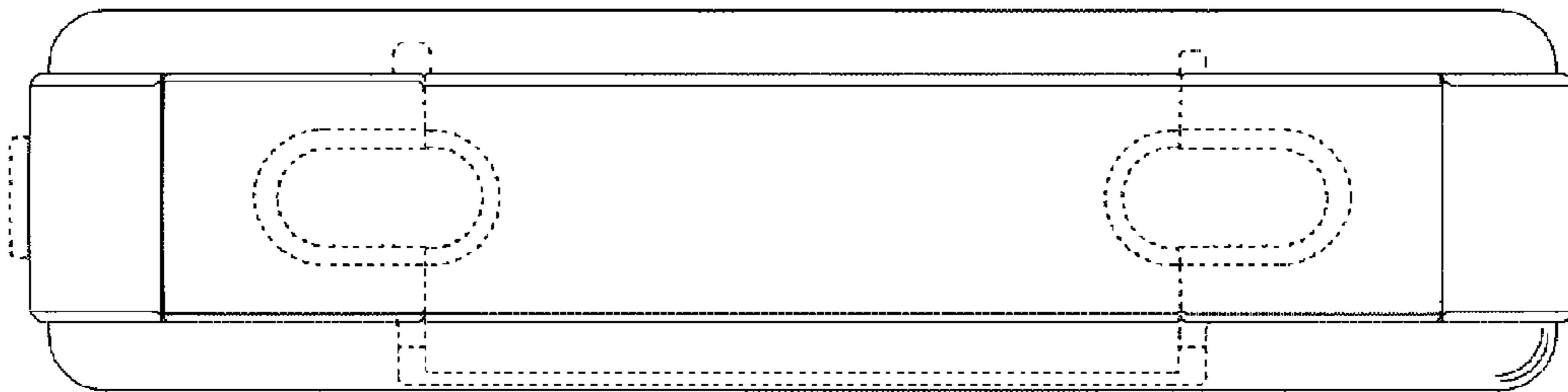


Fig. 8