



US00D641011S

(12) **United States Design Patent**
Gondo

(10) **Patent No.:** **US D641,011 S**
(45) **Date of Patent:** **** Jul. 5, 2011**

(54) **EARPHONE**

(75) Inventor: **Makoto Gondo**, Yokohama (JP)

(73) Assignee: **Victor Company of Japan, Limited**,
Yokohama-shi, Kanagawa (JP)

(**) Term: **14 Years**

(21) Appl. No.: **29/375,007**

(22) Filed: **Sep. 16, 2010**

(30) **Foreign Application Priority Data**

Mar. 31, 2010 (JP) D2010-008035

(51) **LOC (9) Cl.** **14-01**

(52) **U.S. Cl.** **D14/223; D14/206**

(58) **Field of Classification Search** D14/205,
D14/206, 223; 181/129, 130, 135; 379/428.01,
379/430, 431; 381/380, 381; 455/90.3, 575.1,
455/575.2

See application file for complete search history.

(56) **References Cited**

U.S. PATENT DOCUMENTS

D315,350 S * 3/1991 Ikeda D14/223
6,704,429 B2 * 3/2004 Lin 381/380
D539,268 S * 3/2007 Suzuki D14/206

D554,627 S * 11/2007 Gondo D14/223
D555,152 S * 11/2007 Wang D14/223
D566,099 S * 4/2008 Komiyama D14/206
D567,217 S * 4/2008 Kamo et al. D14/205
D585,050 S * 1/2009 Gondo D14/205
D587,681 S * 3/2009 Yanai D14/205
D589,493 S * 3/2009 Densho D14/206
D597,084 S * 7/2009 Gondo D14/223
D634,300 S * 3/2011 Yang et al. D14/206
D635,960 S * 4/2011 Gondo et al. D14/223

* cited by examiner

Primary Examiner — Paula Greene

(74) *Attorney, Agent, or Firm* — The Nath Law Group;
Jerald L. Meyer; Derek Richmond

(57) **CLAIM**

The ornamental design for an earphone, as shown and described.

DESCRIPTION

FIG. 1 is a perspective view of an earphone;
FIG. 2 is a front view thereof,
FIG. 3 is a rear view thereof;
FIG. 4 is a top plan view thereof;
FIG. 5 is a bottom plan view thereof.;
FIG. 6 is a right side view thereof; and,
FIG. 7 is a left side view thereof.

The broken lines showing on the drawing disclosure are for illustrative purposes only and form no part of the claimed design.

1 Claim, 7 Drawing Sheets

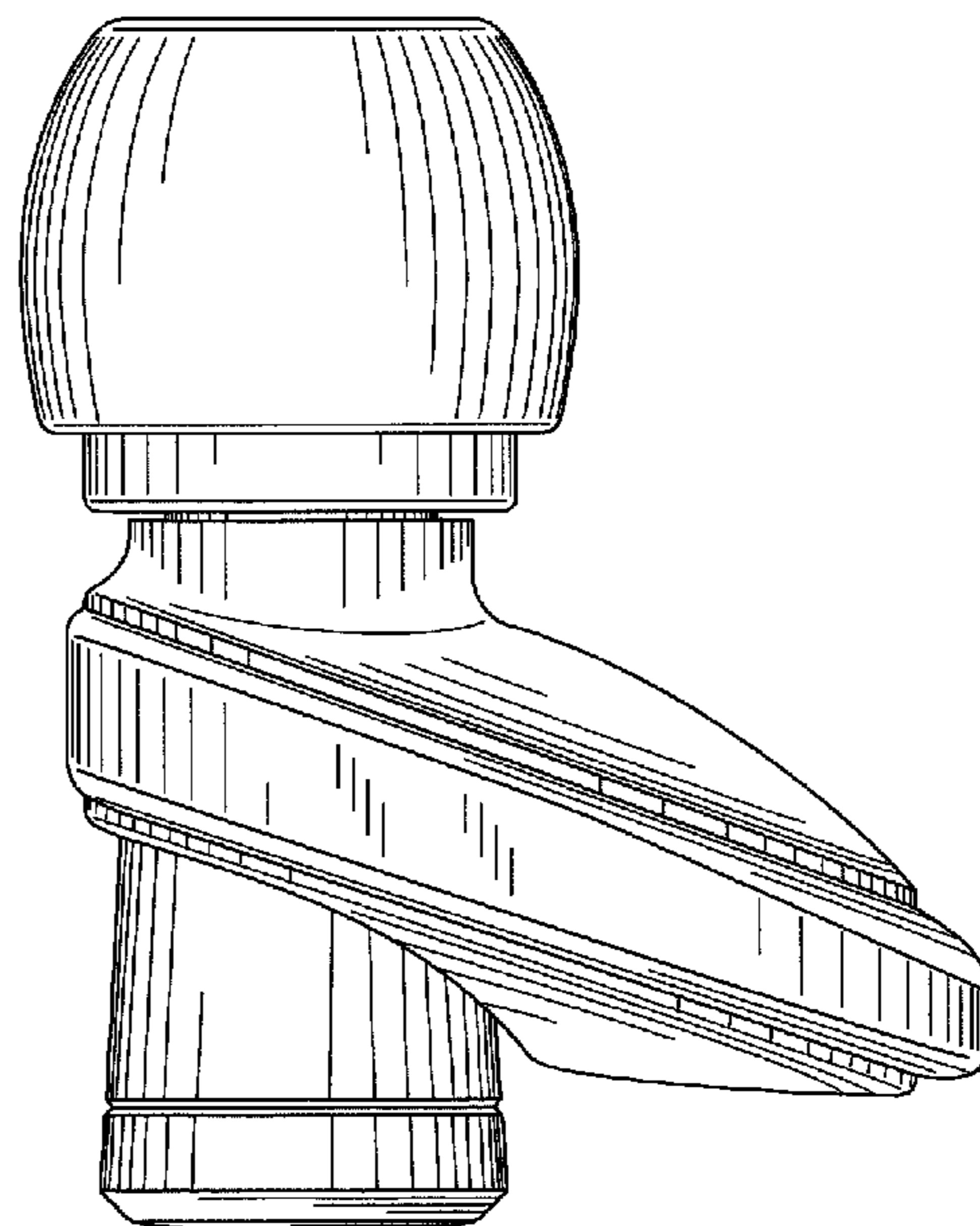
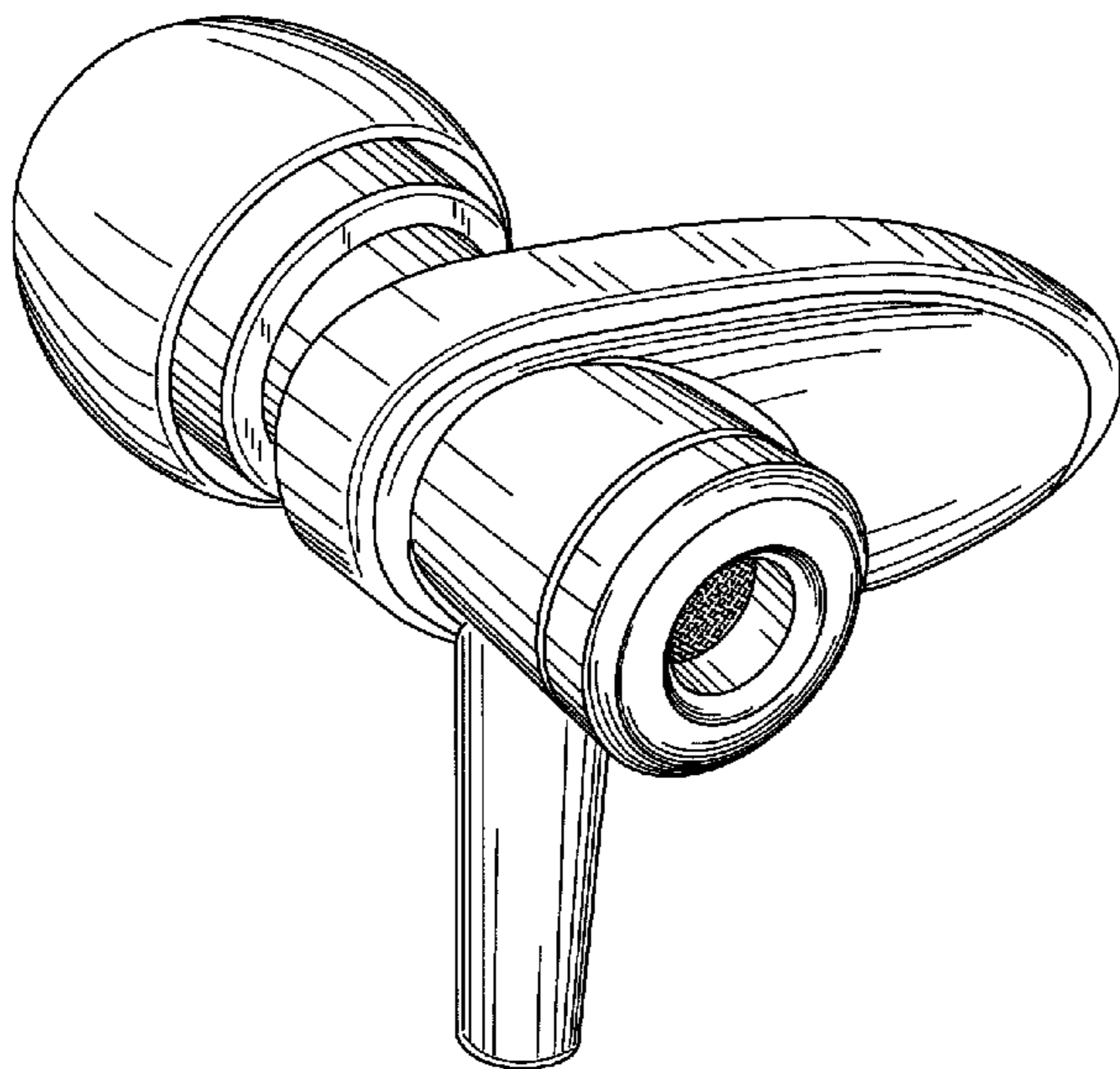


Fig.1

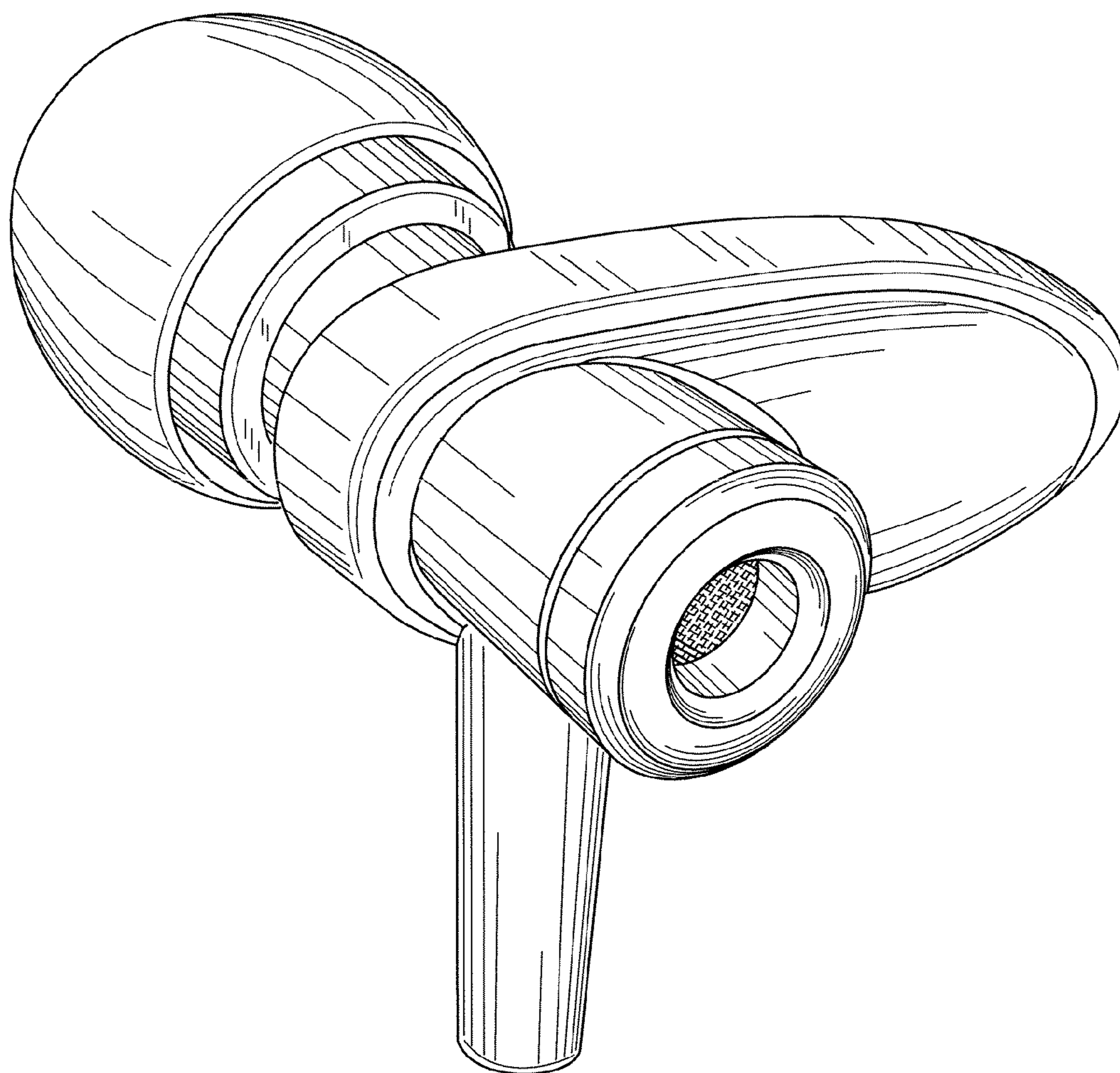


Fig.2

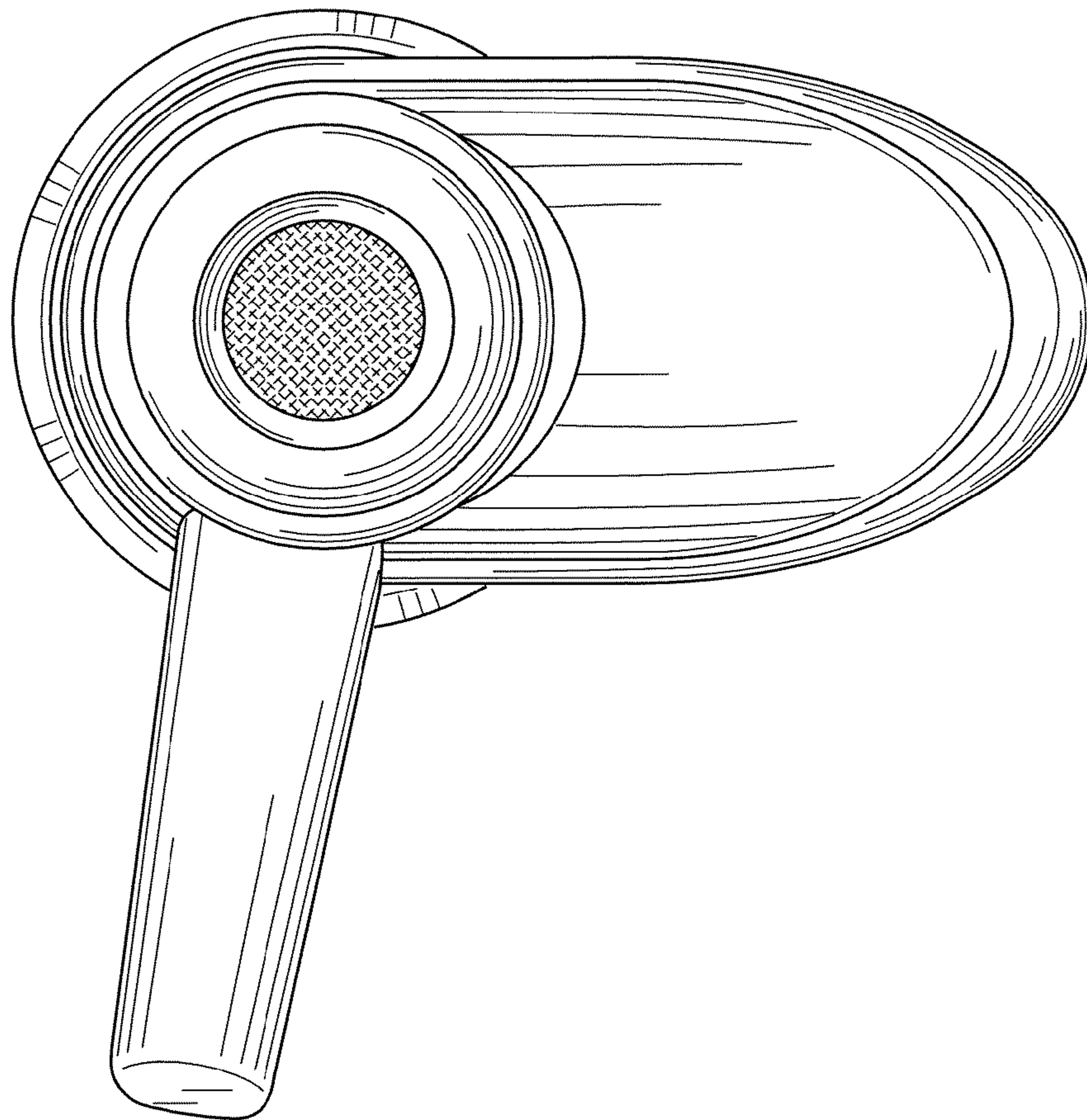


Fig.3

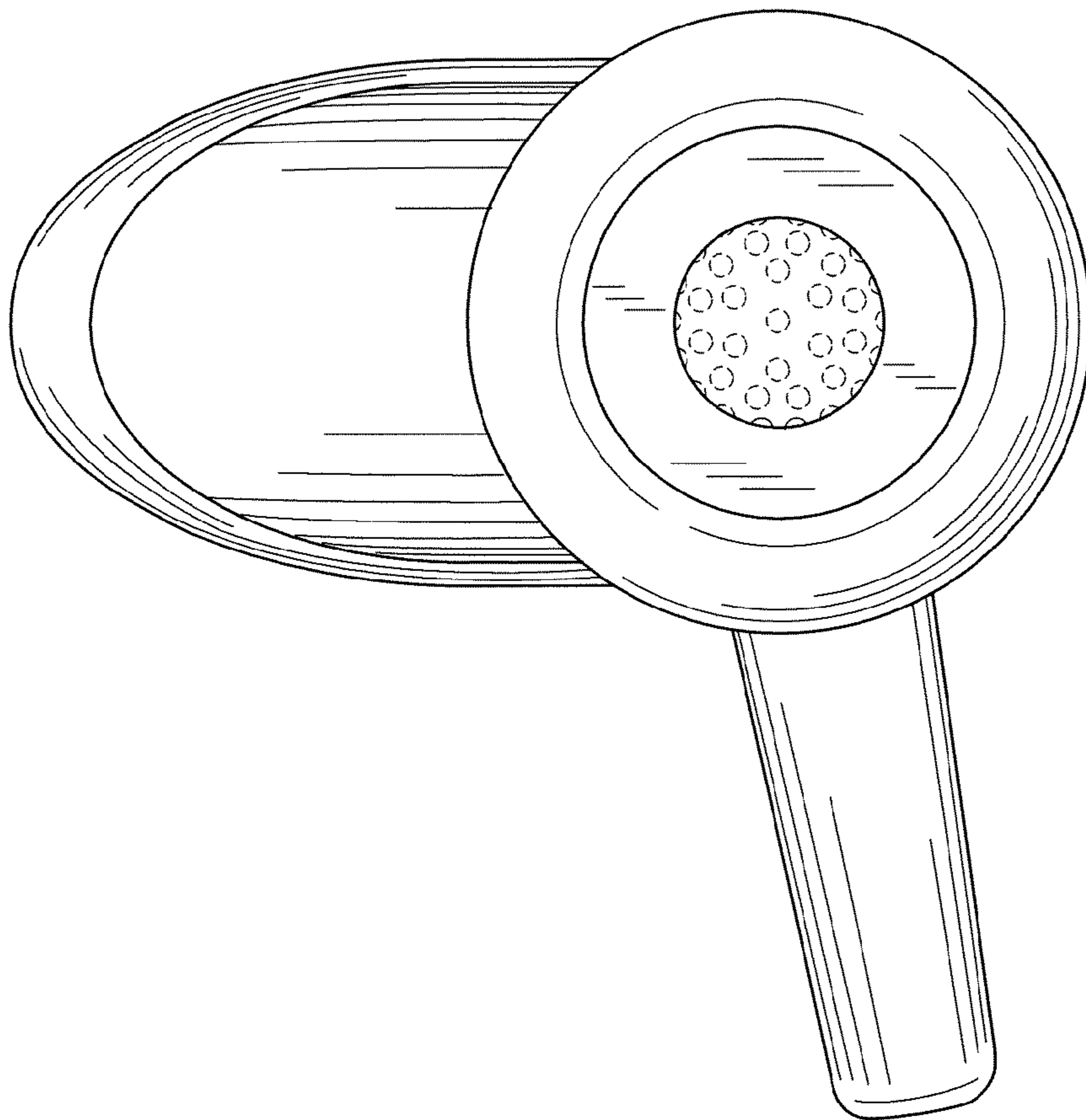


Fig.4

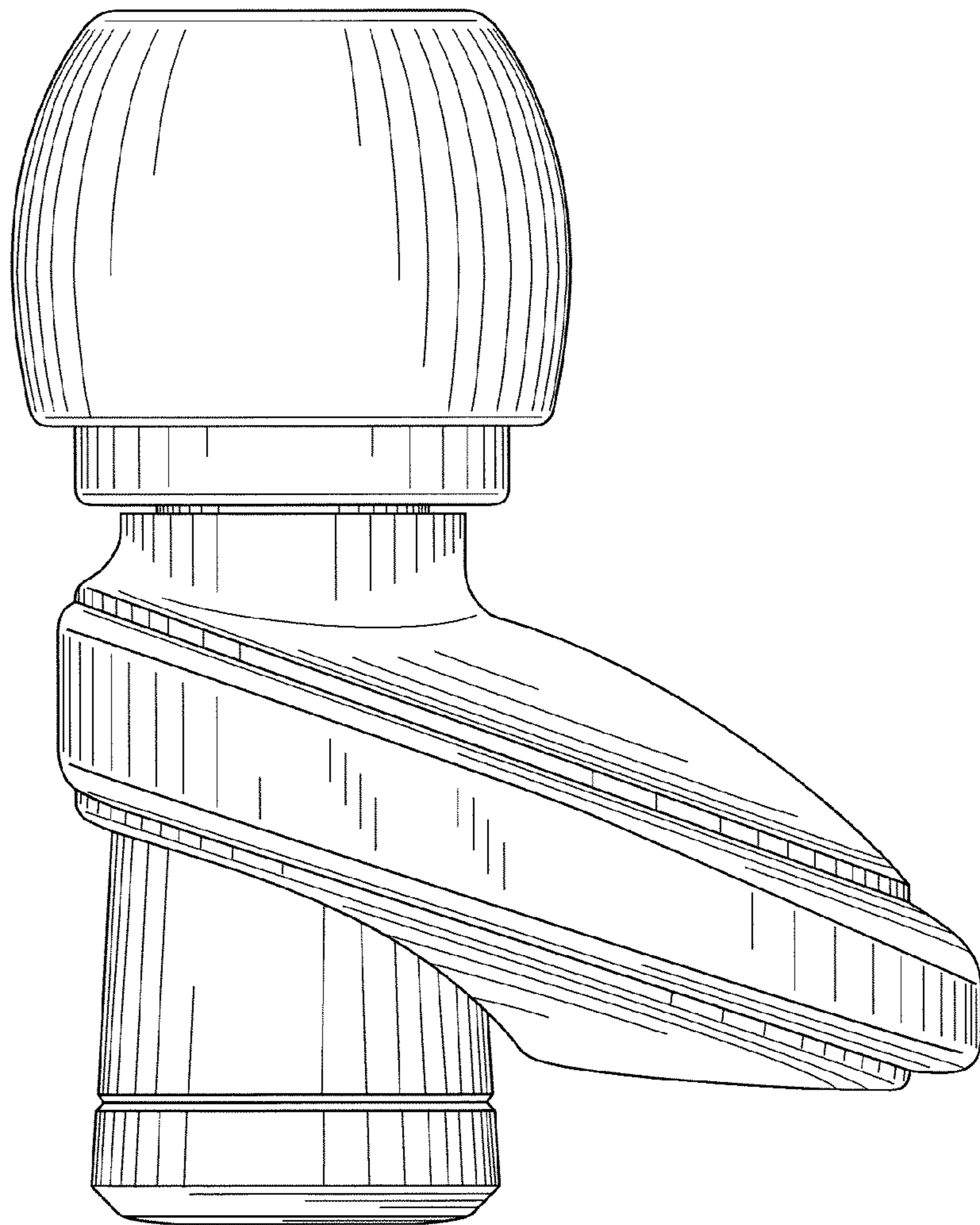


Fig.5

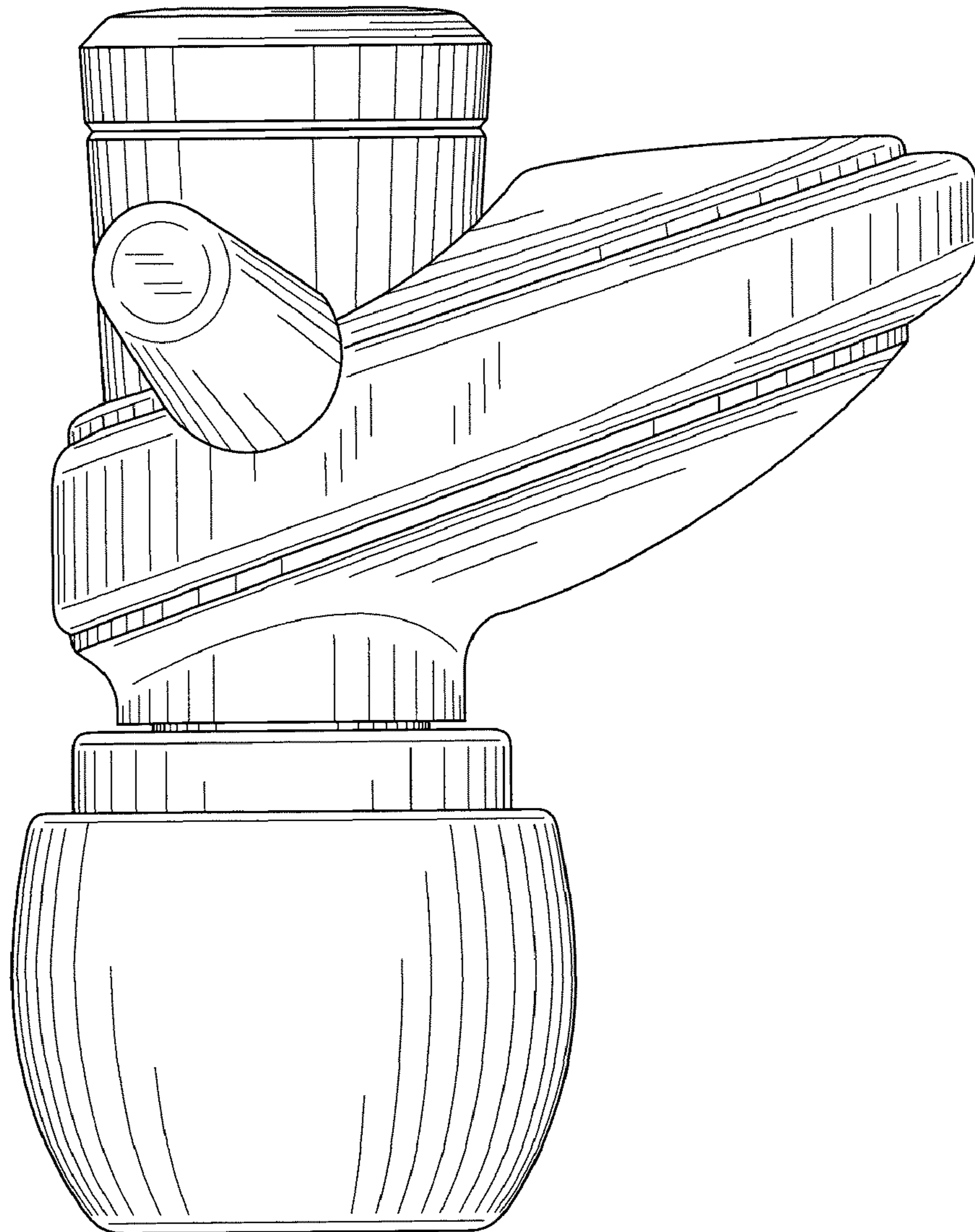


Fig.6

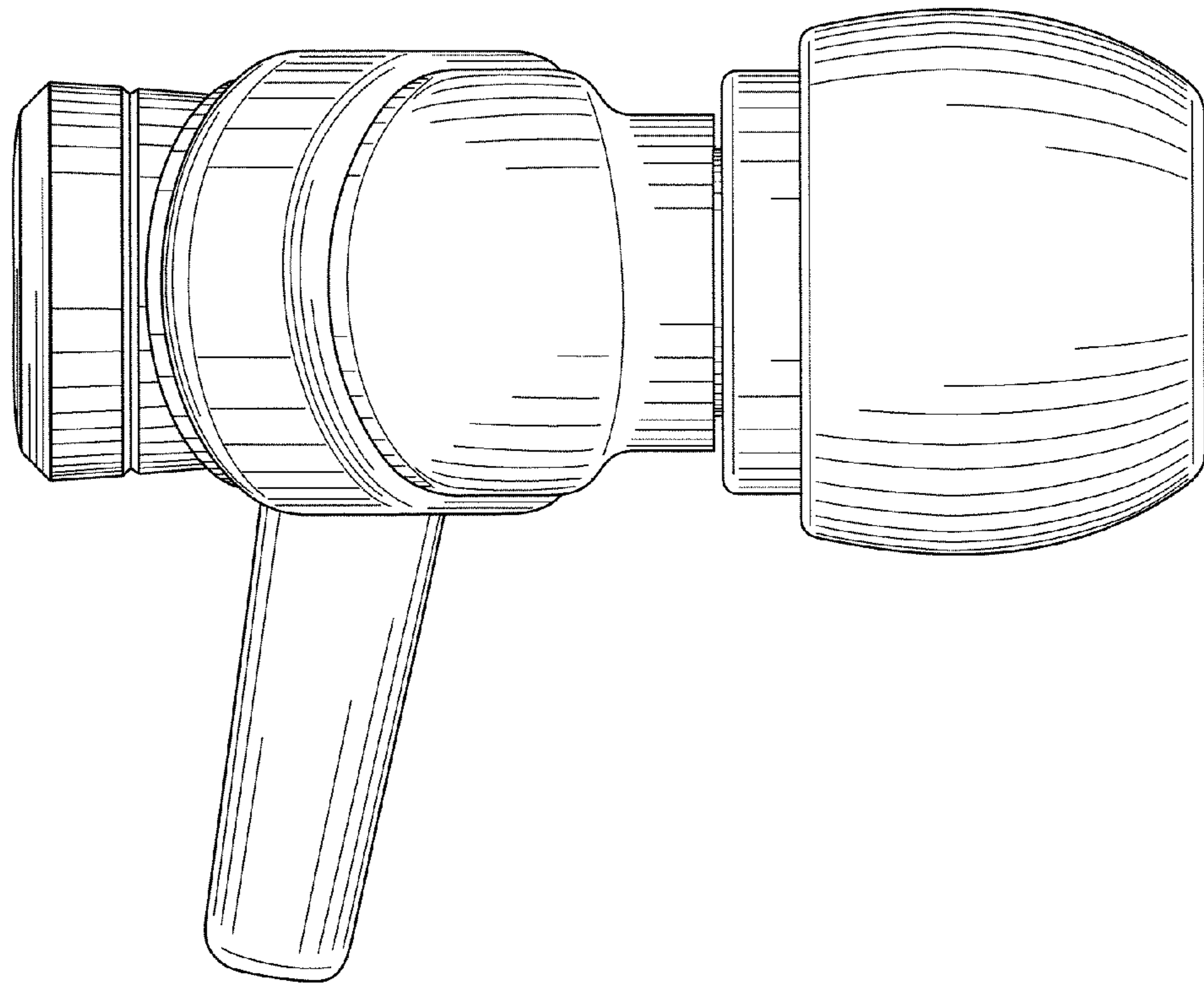


Fig.7

