



US00D641008S

(12) **United States Design Patent**  
**Lee et al.**

(10) **Patent No.:** **US D641,008 S**  
(45) **Date of Patent:** **\*\* Jul. 5, 2011**

(54) **PAIR OF IN-EAR HEADPHONES**

(75) Inventors: **Noel Lee**, Las Vegas, NV (US); **Jacky Hsiung**, San Jose, CA (US); **David C. S. Leung**, San Mateo, CA (US)

(73) Assignee: **Monster Cable Products, Inc.**,  
Brisbane, CA (US)

(\*\*) Term: **14 Years**

(21) Appl. No.: **29/353,170**

(22) Filed: **Jan. 4, 2010**

(51) **LOC (9) Cl.** ..... **14-01**

(52) **U.S. Cl.** ..... **D14/223**

(58) **Field of Classification Search** ..... D14/205,  
D14/206, 223; 181/129, 130, 135; 379/433.01,  
379/420.02, 420.03, 420.04; 455/90.3, 575.1;  
381/380, 381

See application file for complete search history.

(56) **References Cited**

**U.S. PATENT DOCUMENTS**

6,377,697	B1 *	4/2002	Cheng	.....	381/381
D485,548	S *	1/2004	Obata	.....	D14/223
6,772,853	B2 *	8/2004	Yang	.....	181/129
6,931,142	B2 *	8/2005	Fushimi	.....	381/325
D519,107	S *	4/2006	Yang	.....	D14/223
D543,968	S *	6/2007	Wong	.....	D14/205
D554,627	S *	11/2007	Gondo	.....	D14/223
D564,495	S *	3/2008	Sasaki	.....	D14/205
D566,099	S *	4/2008	Komiyama	.....	D14/206
D566,104	S *	4/2008	Suzuki	.....	D14/223
D567,217	S *	4/2008	Kamo et al.	.....	D14/205
D572,703	S *	7/2008	Ledbetter et al.	.....	D14/205

D573,978	S *	7/2008	Ledbetter et al.	.....	D14/205
D586,332	S *	2/2009	Ewert et al.	.....	D14/223
D587,681	S *	3/2009	Yanai	.....	D14/205
D587,685	S *	3/2009	Densho	.....	D14/206
D594,441	S *	6/2009	Lee et al.	.....	D14/205
D598,894	S *	8/2009	Masuda et al.	.....	D14/205
D598,901	S	8/2009	Lee et al.		
D599,781	S	9/2009	Lee et al.		
D600,675	S	9/2009	Lee et al.		
D601,126	S *	9/2009	Christopher et al.	.....	D14/206
D604,272	S *	11/2009	Kitayama	.....	D14/223
D617,780	S *	6/2010	Jaakkola et al.	.....	D14/223
D623,171	S *	9/2010	Chen et al.	.....	D14/223

\* cited by examiner

*Primary Examiner* — Paula Greene

(74) *Attorney, Agent, or Firm* — LaRiviere, Grubman & Payne, LLP

(57) **CLAIM**

The ornamental design for a pair of in-ear headphones, as shown and described.

**DESCRIPTION**

FIG. 1 is perspective view of a pair of in-ear headphones, showing our new design;

FIG. 2 is a front view thereof;

FIG. 3 is a rear view thereof;

FIG. 4 is a side view thereof;

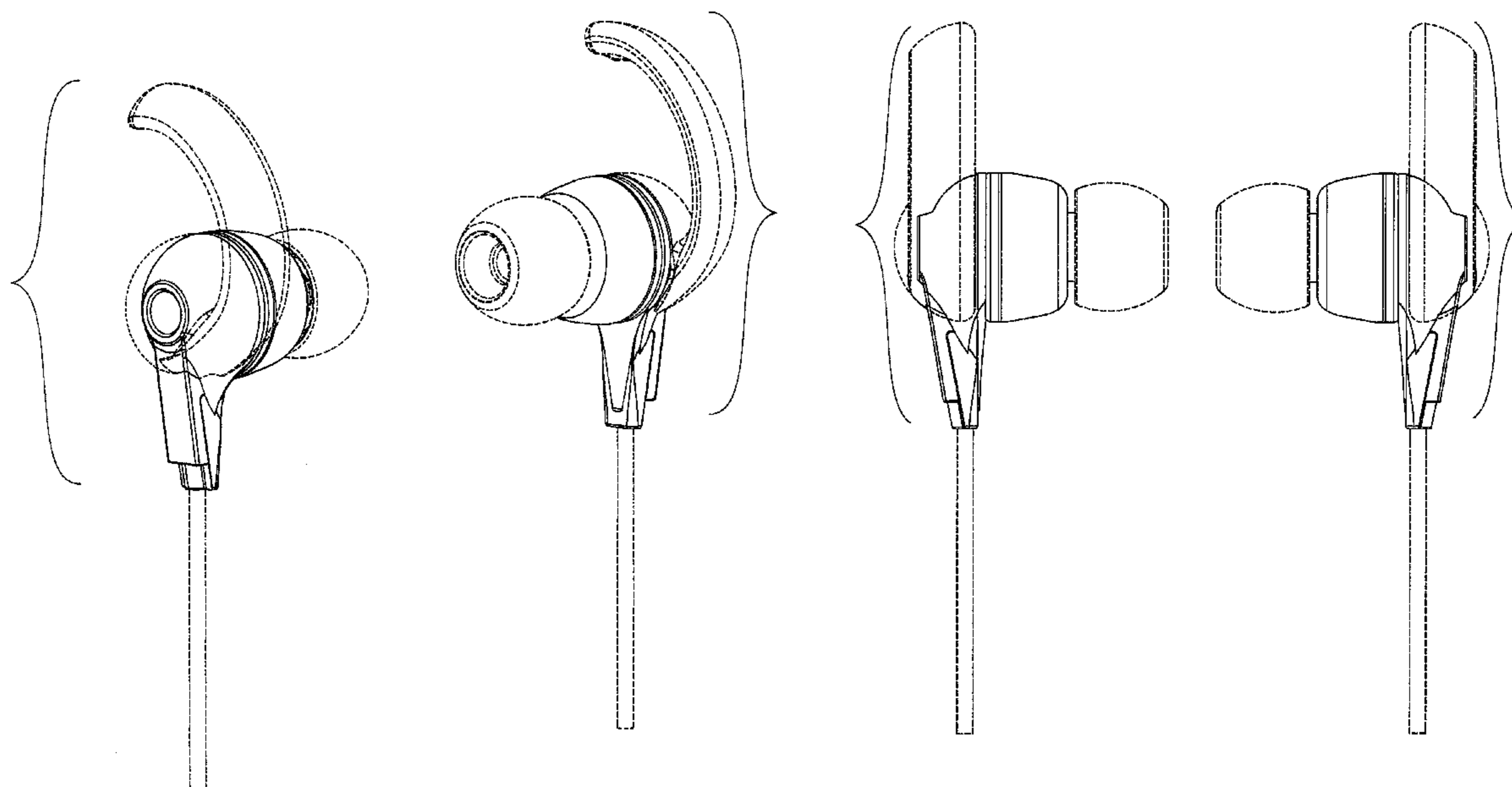
FIG. 5 is an opposing side view thereof;

FIG. 6 is a top view thereof; and,

FIG. 7 is a bottom view thereof.

The broken lines showing the environment are for illustrative purposes only and form no part of the claimed design.

**1 Claim, 5 Drawing Sheets**



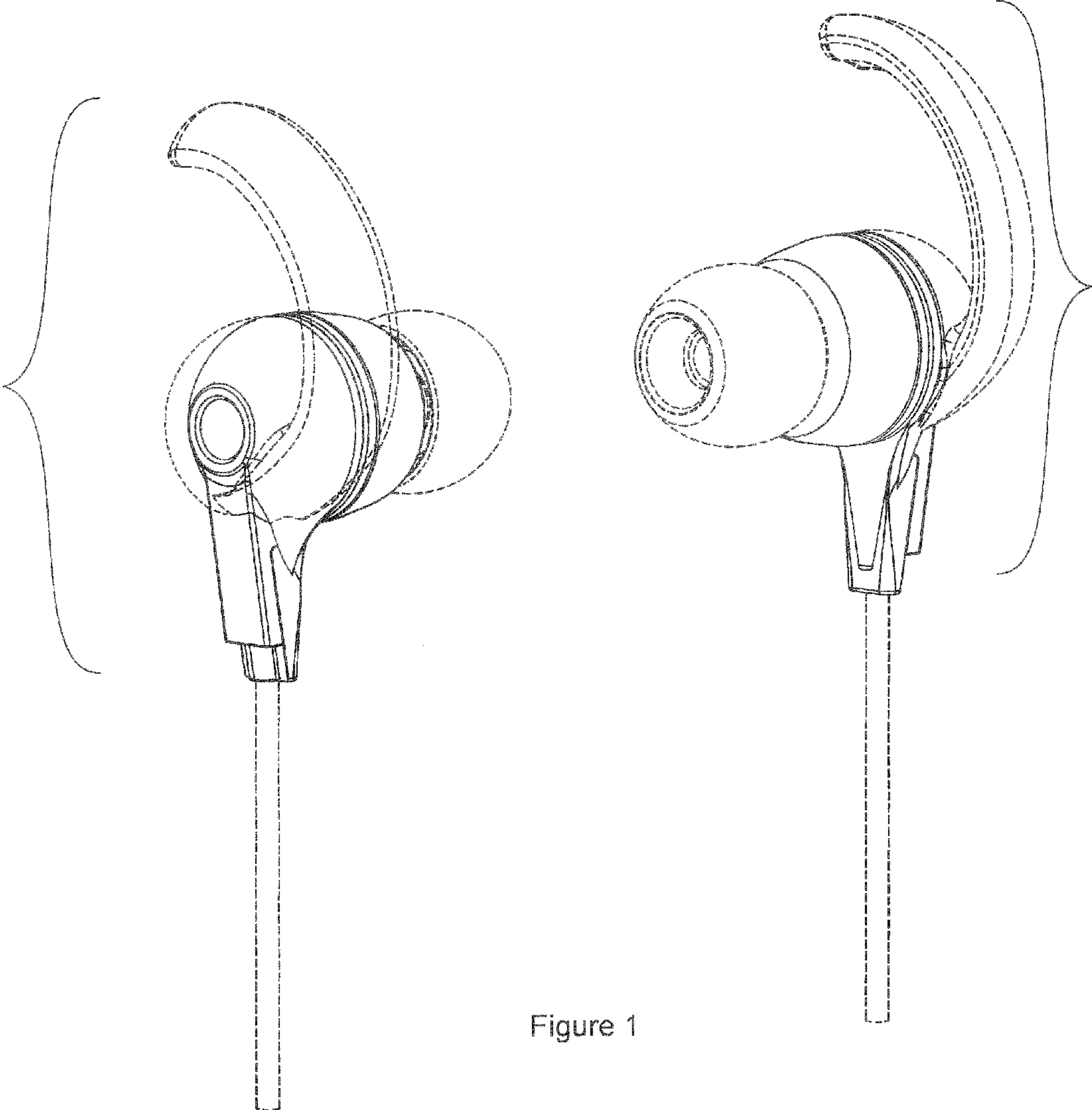


Figure 1

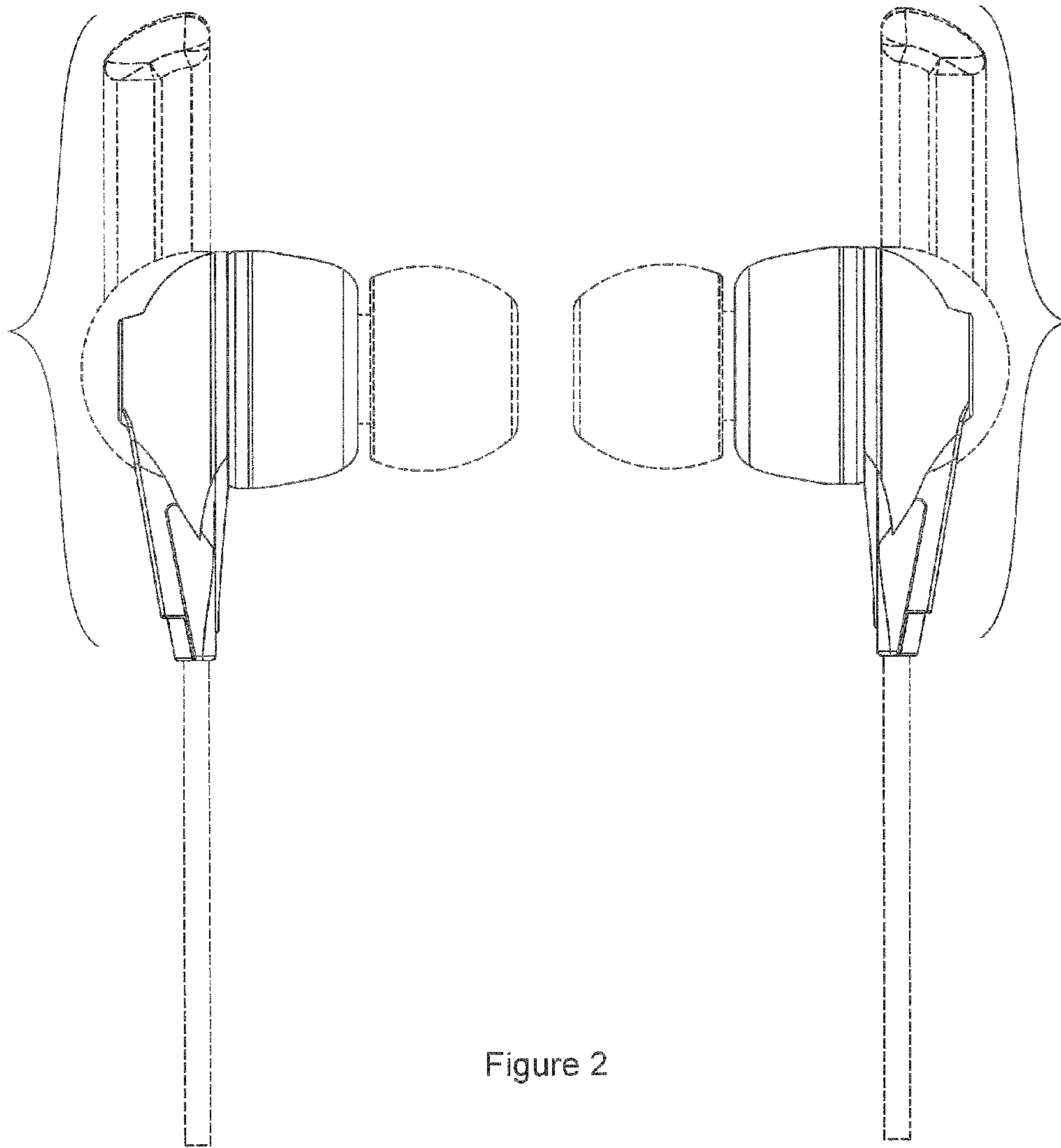


Figure 2

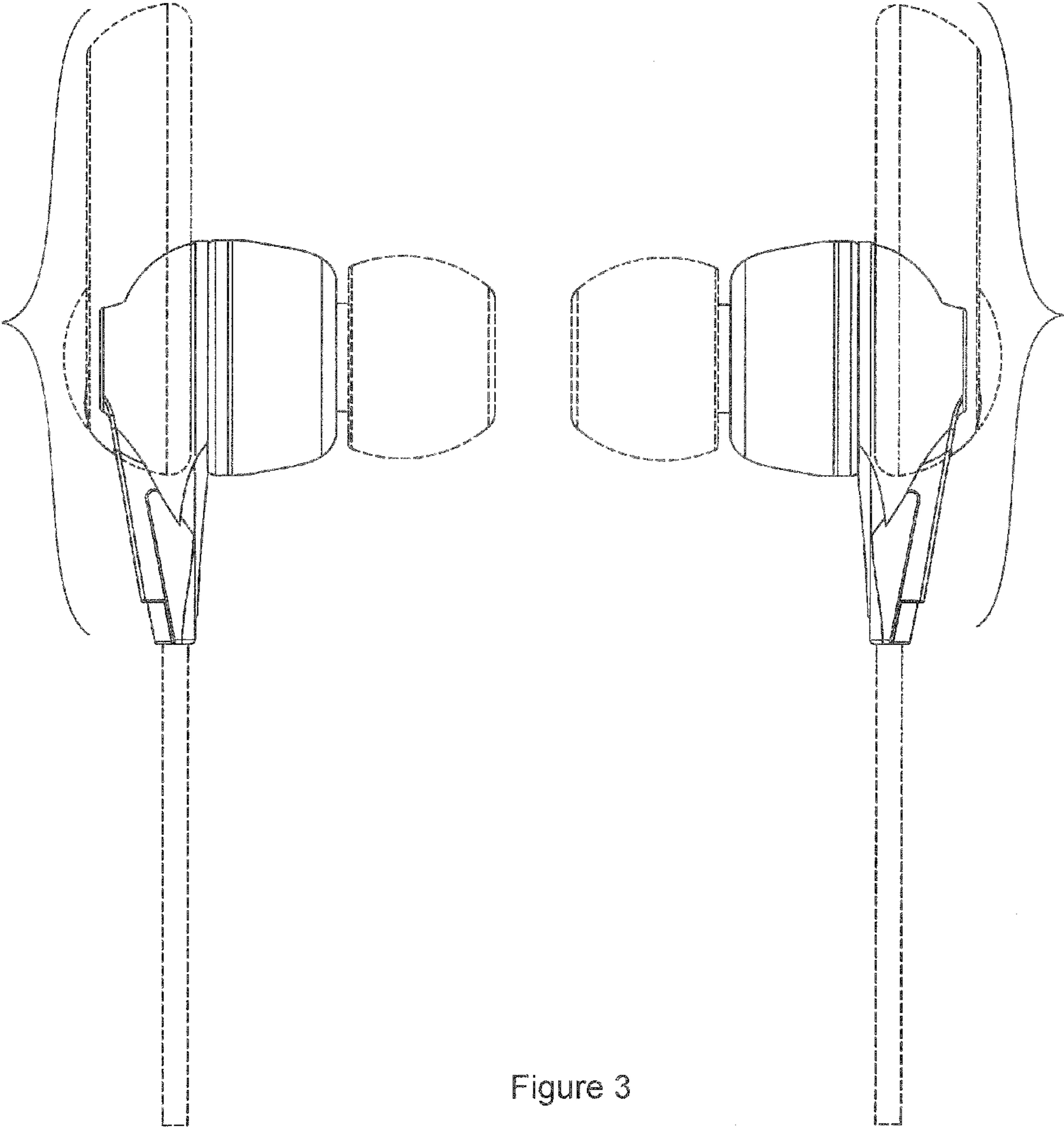


Figure 3

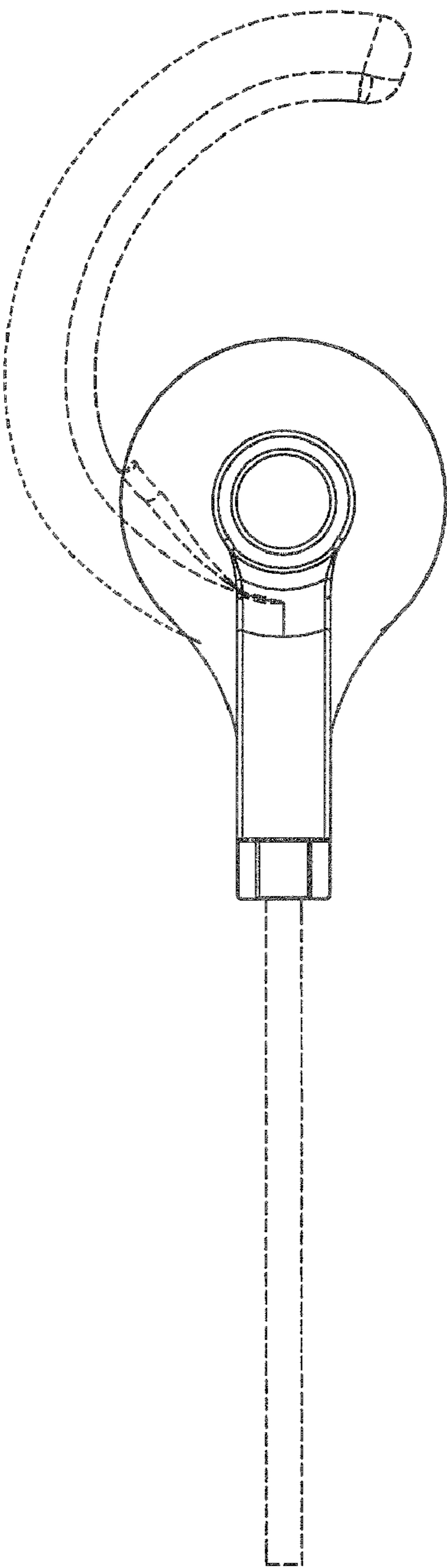


Figure 4

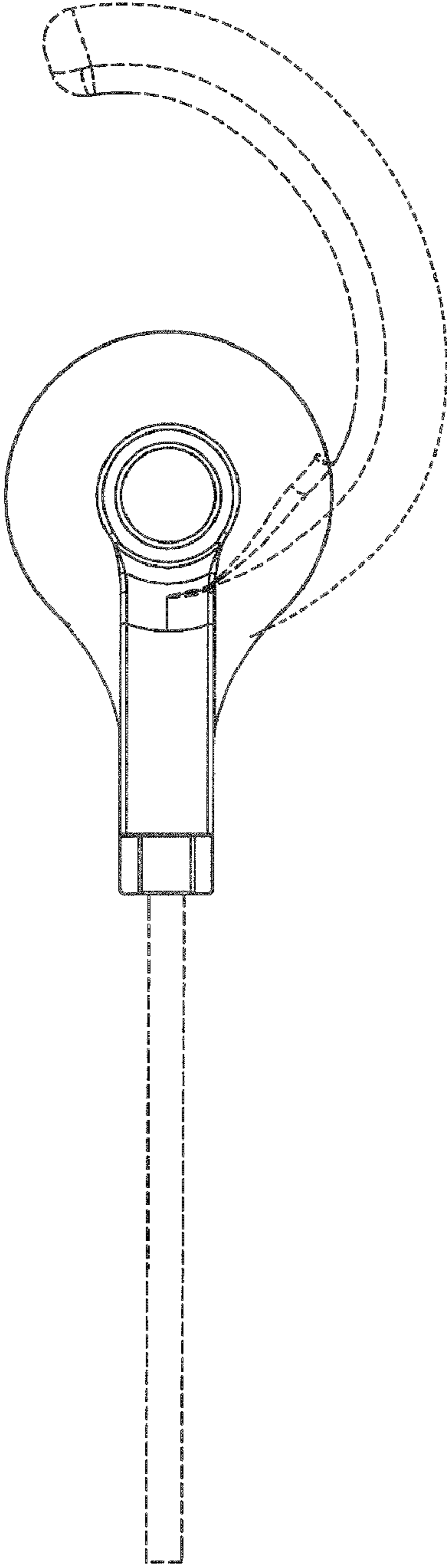


Figure 5

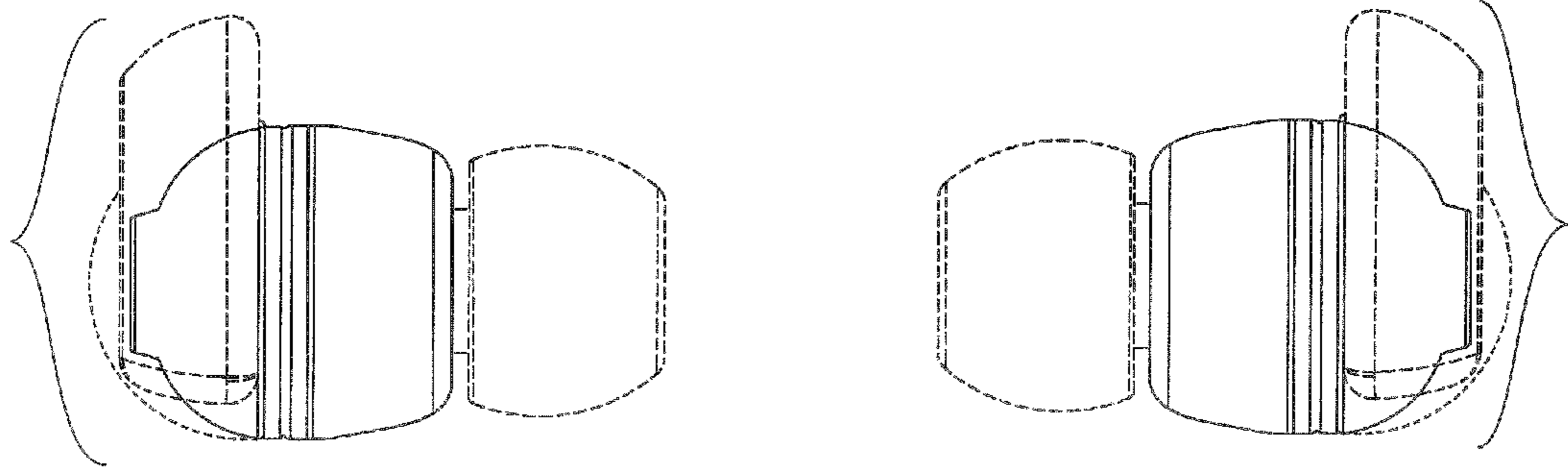


Figure 6

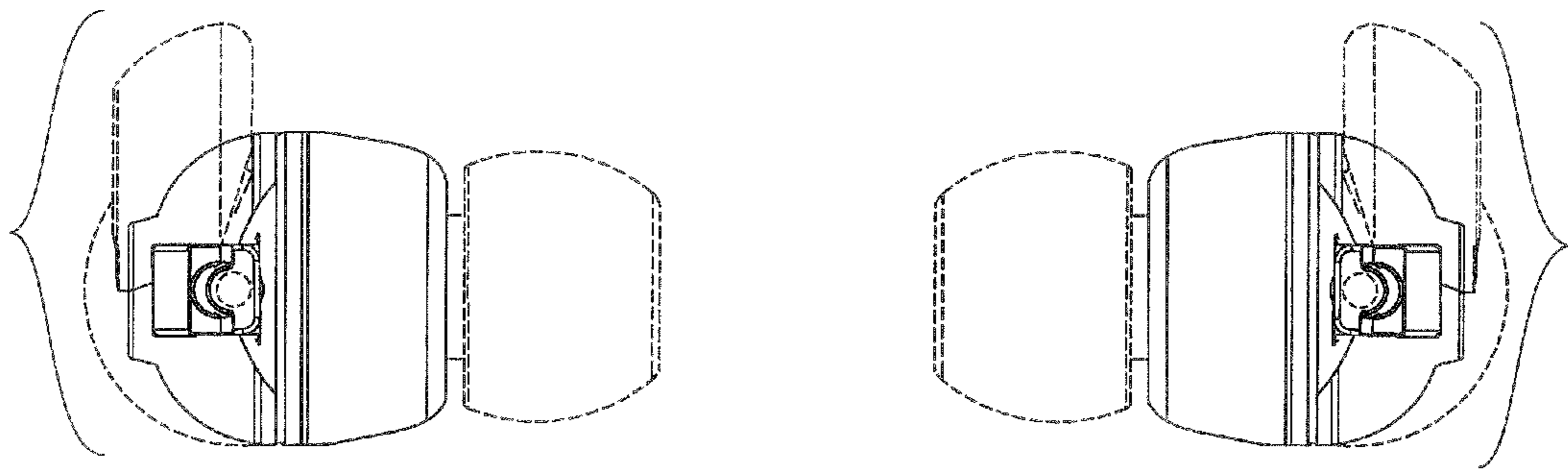


Figure 7