



US00D641007S

(12) **United States Design Patent**
Skurdal

(10) **Patent No.:** **US D641,007 S**
(45) **Date of Patent:** **** Jul. 5, 2011**

(54) **WIRELESS AMPLIFIED SPEAKER SYSTEM**

(75) Inventor: **Andrew Skurdal**, Jersey City, NJ (US)

(73) Assignee: **SDI Technologies, Inc.**, Rahway, NJ (US)

(**) Term: **14 Years**

(21) Appl. No.: **29/365,774**

(22) Filed: **Jul. 14, 2010**

(51) **LOC (9) Cl.** **14-01**

(52) **U.S. Cl.** **D14/214**

(58) **Field of Classification Search** D14/204,
D14/207, 209.1, 210–216, 172, 168; 181/143–144,
181/147–148, 150–153, 157, 198–199;
381/300–303, 306, 332–333, 336, 345, 361–364,
381/386–388

See application file for complete search history.

(56) **References Cited**

U.S. PATENT DOCUMENTS

D195,561 S *	7/1963	Erickson	D14/214
D379,093 S *	5/1997	Vollum et al.	D14/216
D394,064 S *	5/1998	Freadman	D14/214
D578,105 S *	10/2008	Komiyama	D14/214
7,689,197 B2 *	3/2010	Laude et al.	455/344

* cited by examiner

Primary Examiner — Nanda Bondade

(74) *Attorney, Agent, or Firm* — Ostrolenk Faber LLP

(57) **CLAIM**

The ornamental design for a wireless amplified speaker system, as shown and described.

DESCRIPTION

FIG. 1 is a front, top, perspective view of a wireless amplified speaker system showing my new design;

FIG. 2 is a front view thereof;

FIG. 3 is a rear view thereof;

FIG. 4 is a top view thereof;

FIG. 5 is a bottom view thereof;

FIG. 6 is a side view thereof, the opposite side view being a mirror image;

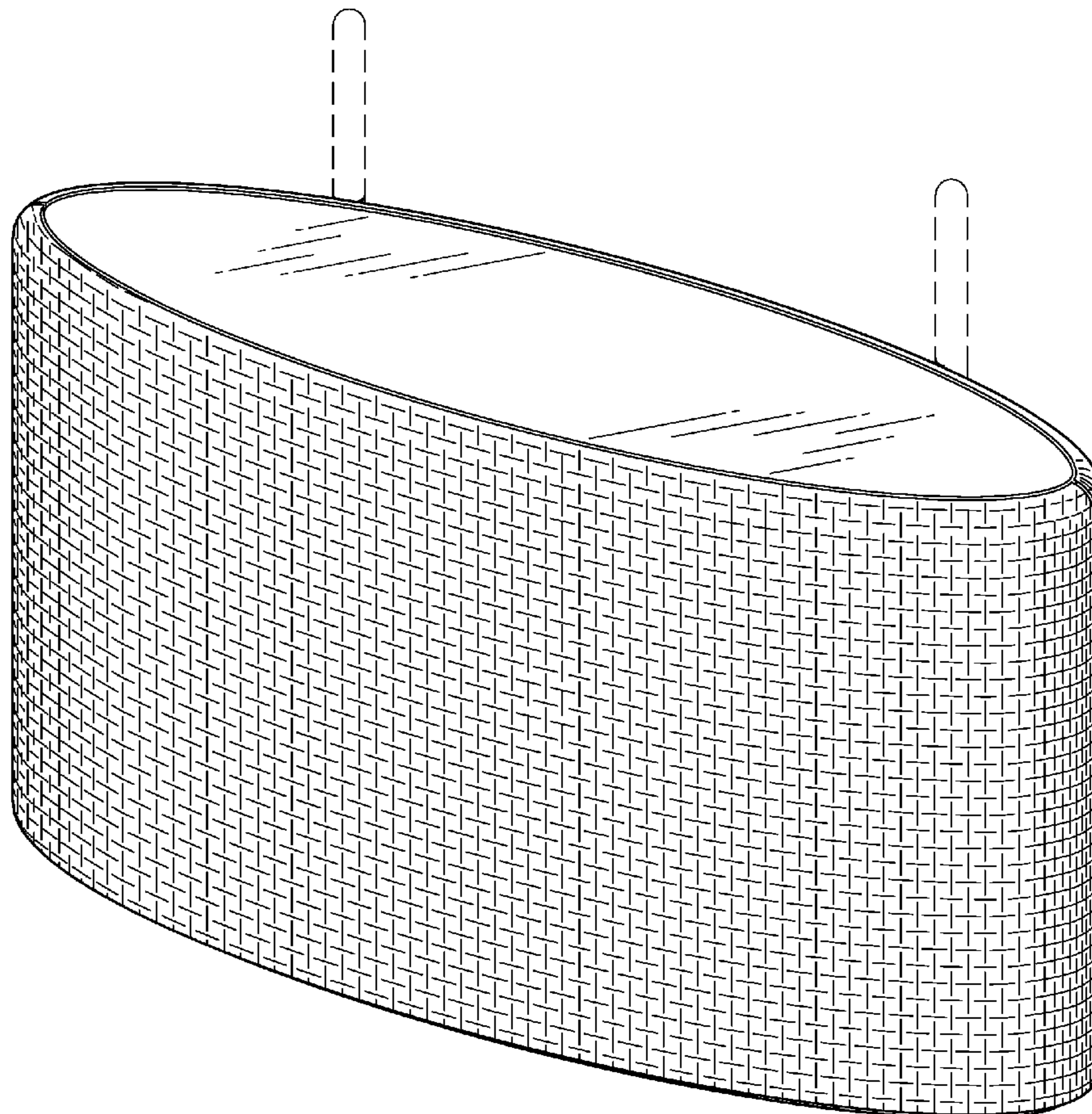
FIG. 7 is a cross sectional view along the line 7-7 in FIG. 2; and,

FIG. 8 is a cross sectional view of the section marked by line 8-8 in FIG. 3.

The intersecting broken lines in the Figures show a textured surface or cloth.

The other broken line showing is of environmental material and forms no part of the claimed design.

1 Claim, 8 Drawing Sheets



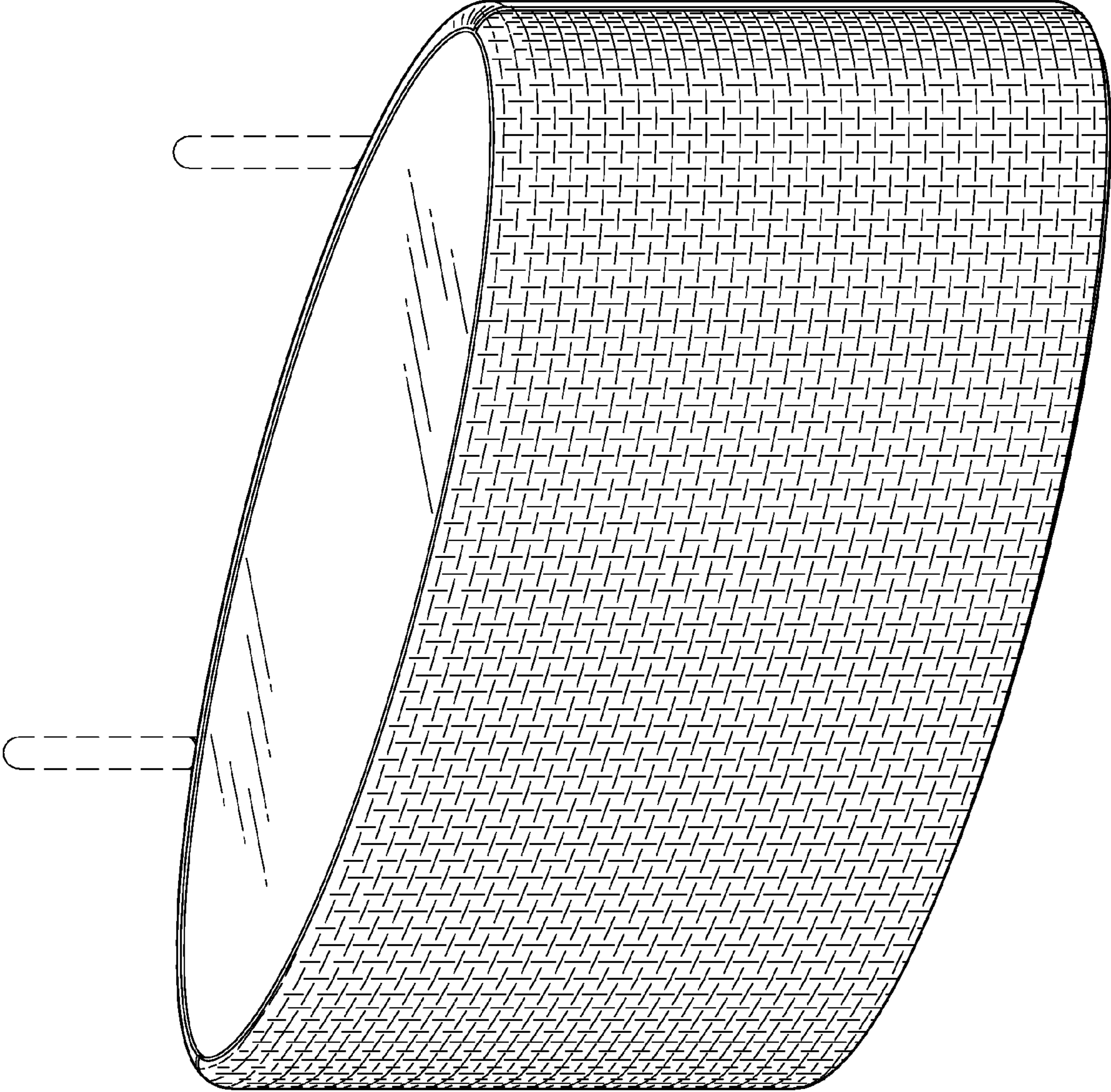


FIG. 1

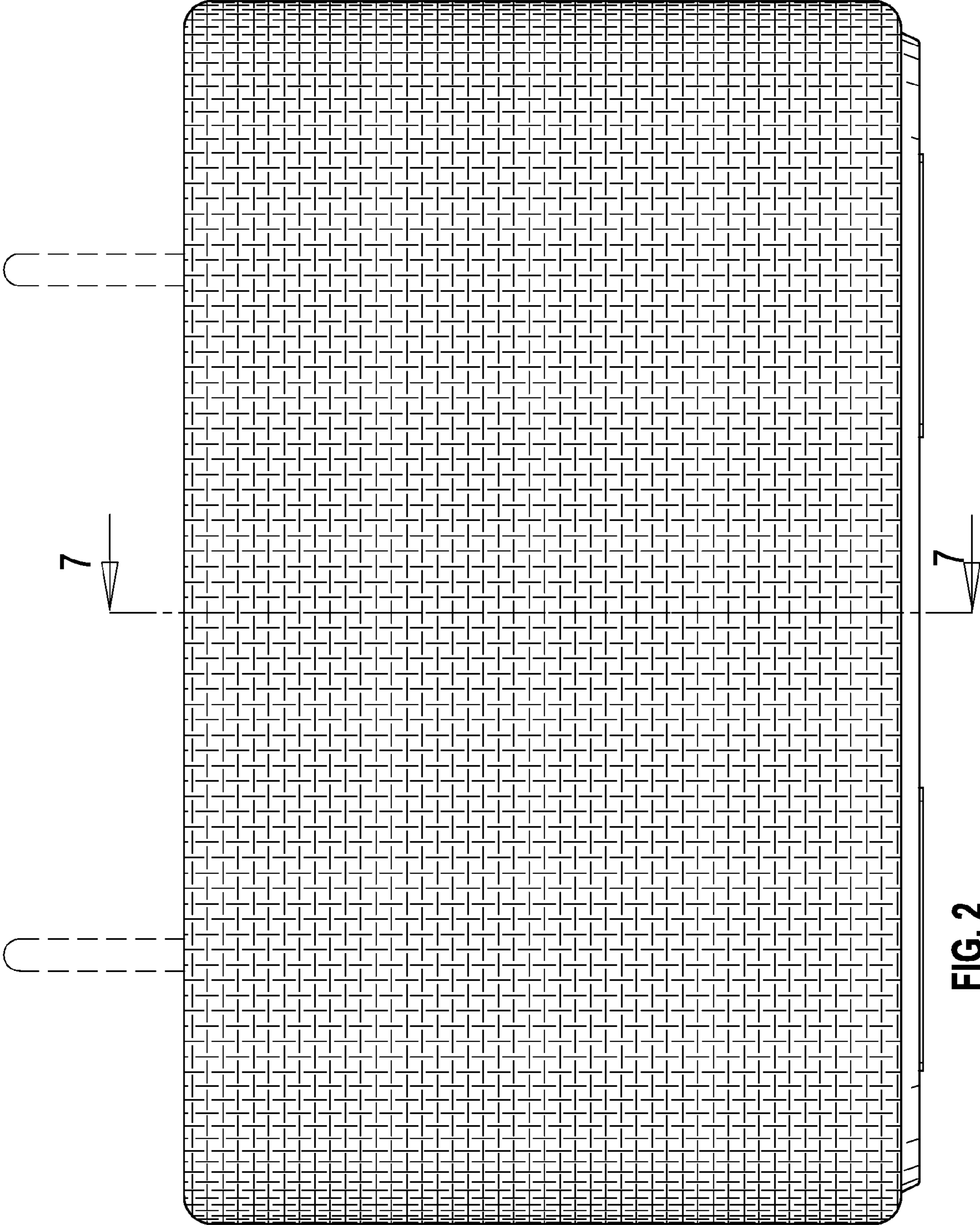


FIG. 2

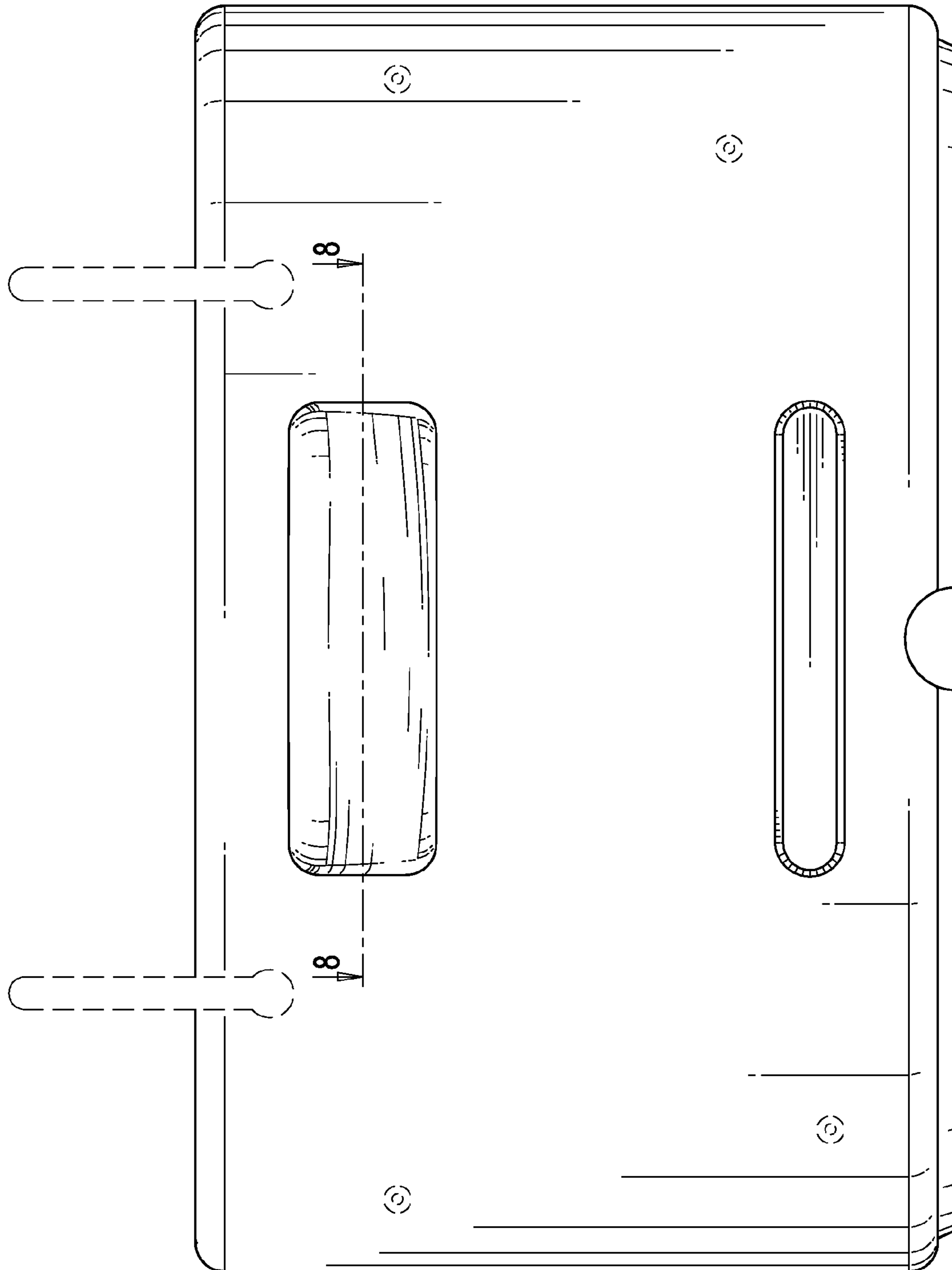


FIG. 3

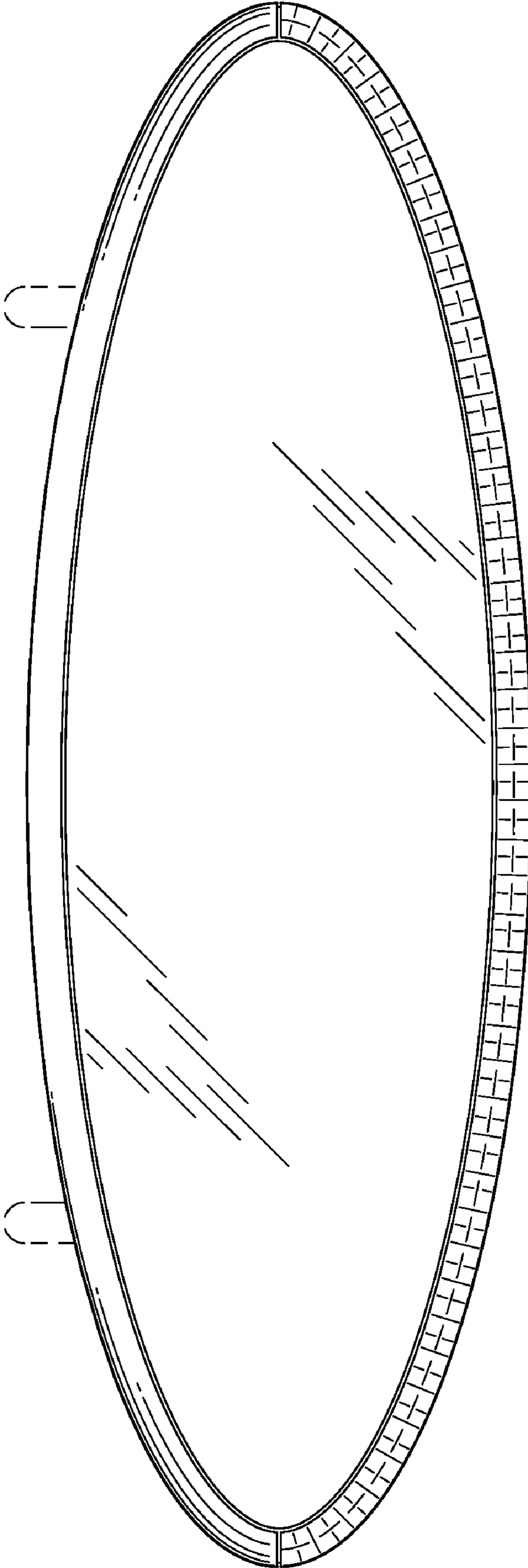


FIG. 4

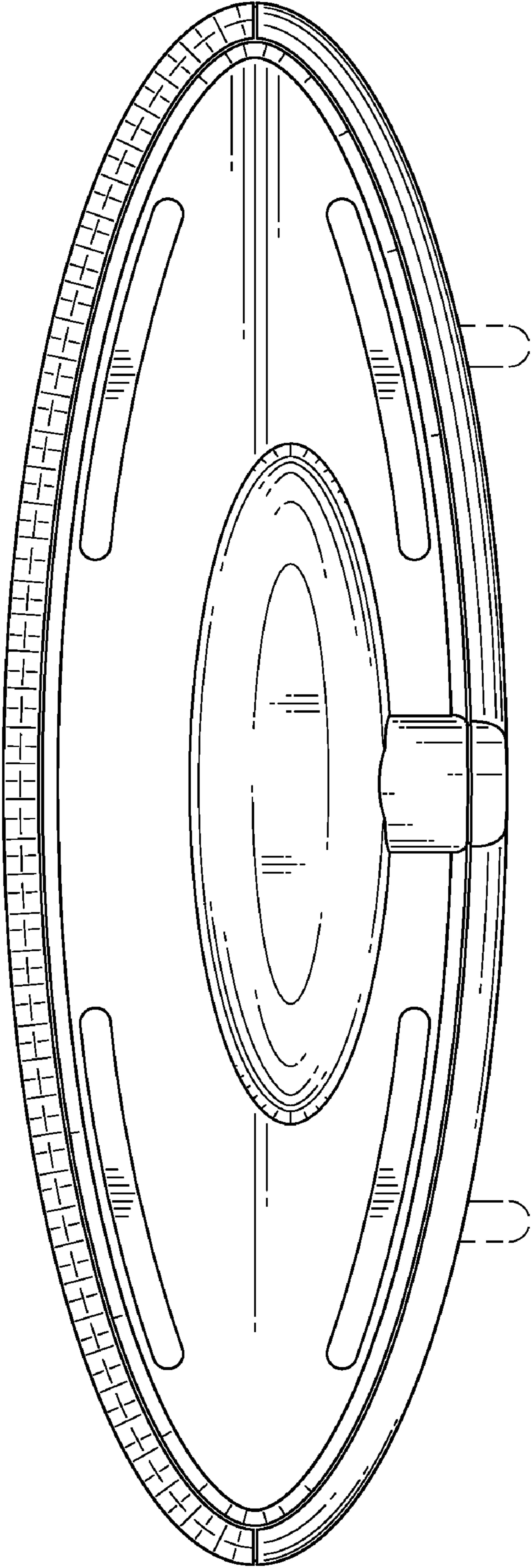


FIG. 5

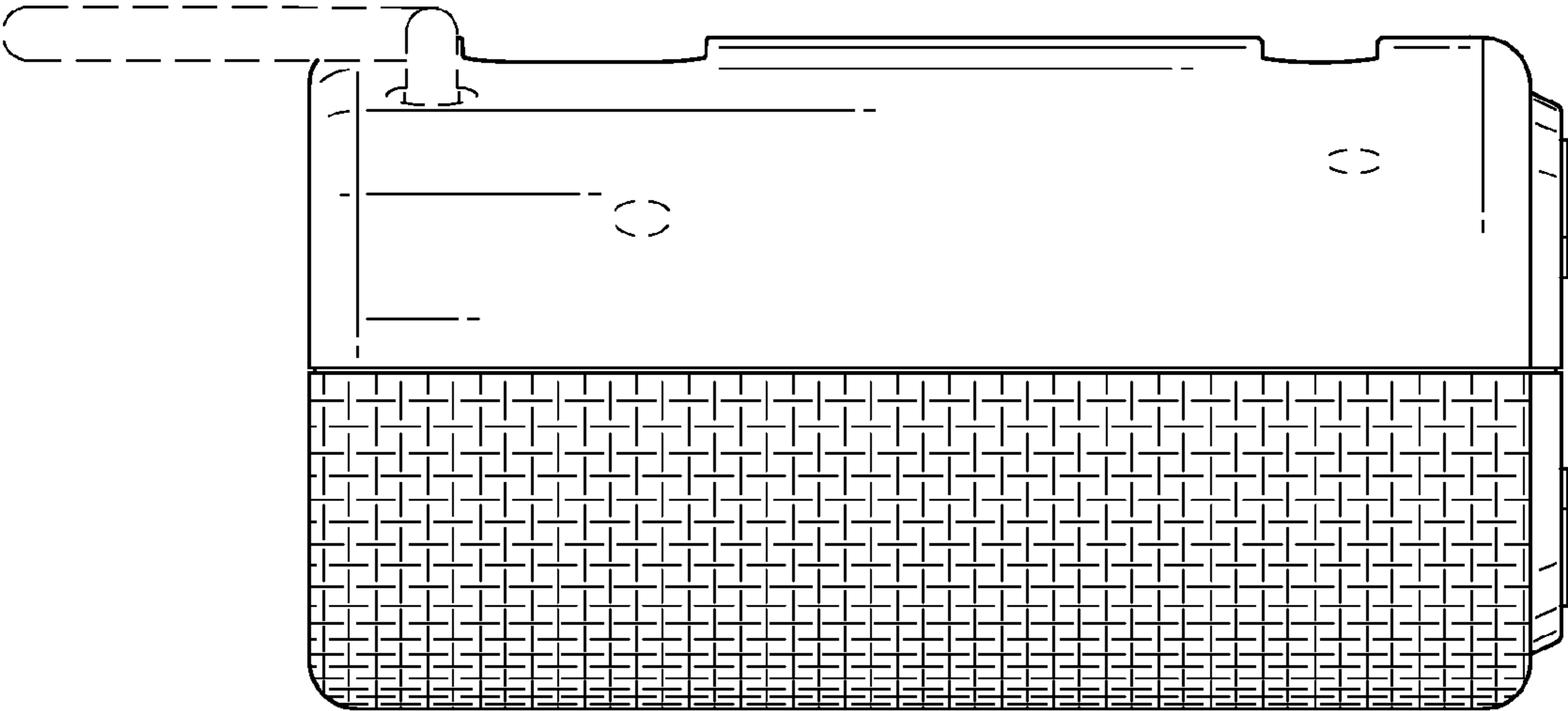


FIG. 6

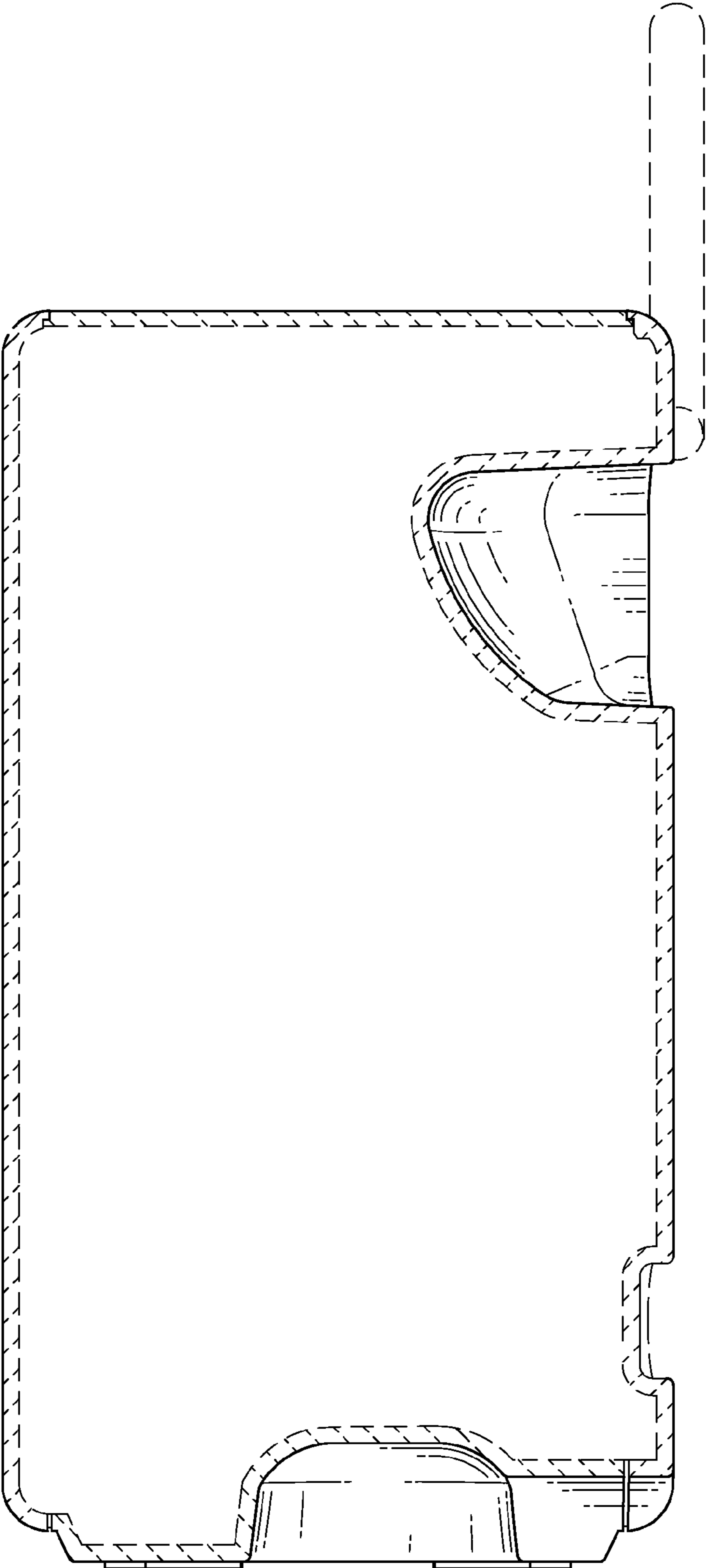


FIG. 7

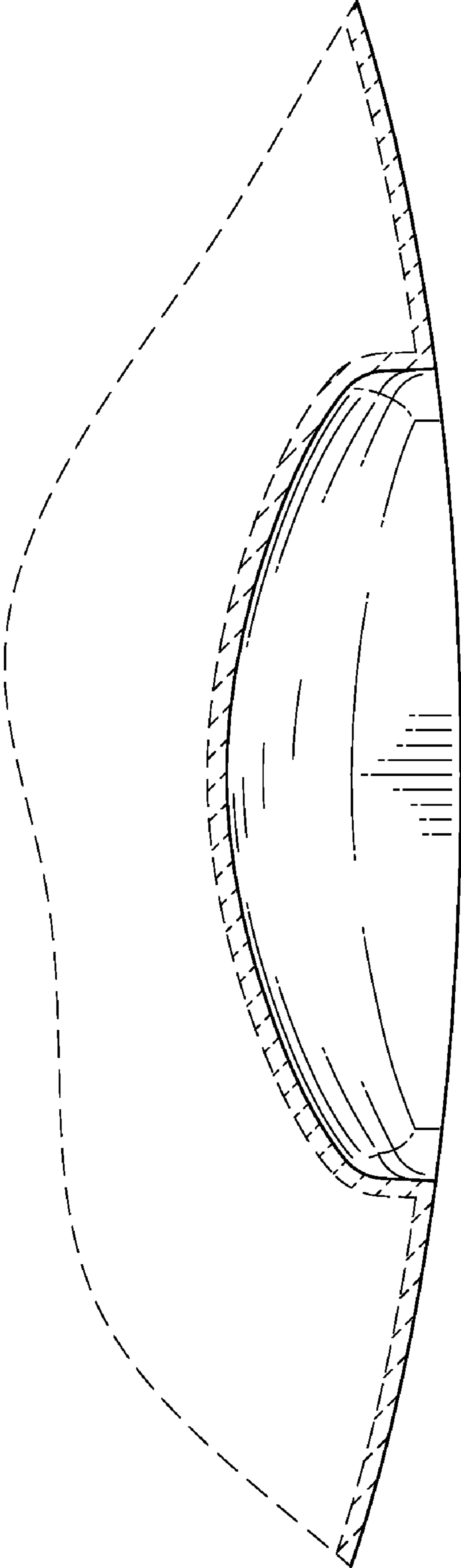


FIG. 8