



US00D641005S

(12) **United States Design Patent**
Rice, Jr.

(10) **Patent No.:** **US D641,005 S**

(45) **Date of Patent:** **** Jul. 5, 2011**

(54) **SPEAKER**

(76) Inventor: **Dean Larry Rice, Jr.**, Simi Valley, CA
(US)

(**) Term: **14 Years**

(21) Appl. No.: **29/366,233**

(22) Filed: **Jul. 22, 2010**

(51) **LOC (9) Cl.** **14-01**

(52) **U.S. Cl.** **D14/212**

(58) **Field of Classification Search** D14/204,
D14/210-216, 172; 181/143-144, 147-148,
181/150-153, 157, 198-199; 381/300-303,
381/306, 332-333, 336, 345, 361-364, 386-388
See application file for complete search history.

(56) **References Cited**

U.S. PATENT DOCUMENTS

D255,234 S	6/1980	Wellward et al.	
D505,940 S *	6/2005	Yao	D14/215
D581,901 S	12/2008	Pincek et al.	
D582,386 S *	12/2008	Lewis	D14/204

D592,642 S	5/2009	Andrews	
D595,263 S *	6/2009	Jiang	D14/207
D600,676 S	9/2009	Maurer et al.	
D617,310 S	6/2010	Tatara	

* cited by examiner

Primary Examiner — Nanda Bondade

(74) *Attorney, Agent, or Firm* — Law Office of Ken Dallara;
Ken Dallara

(57) **CLAIM**

The ornamental design for a speaker, as shown and described.

DESCRIPTION

FIG. 1 is a front and right side perspective view of a speaker showing our new design;
FIG. 2 is the front elevation view thereof;
FIG. 3 is the rear elevation view thereof;
FIG. 4 is the right side elevation view thereof;
FIG. 5 is the left side elevation view thereof;
FIG. 6 is the bottom elevation view thereof; and,
FIG. 7 is the top elevation view thereof.

1 Claim, 4 Drawing Sheets

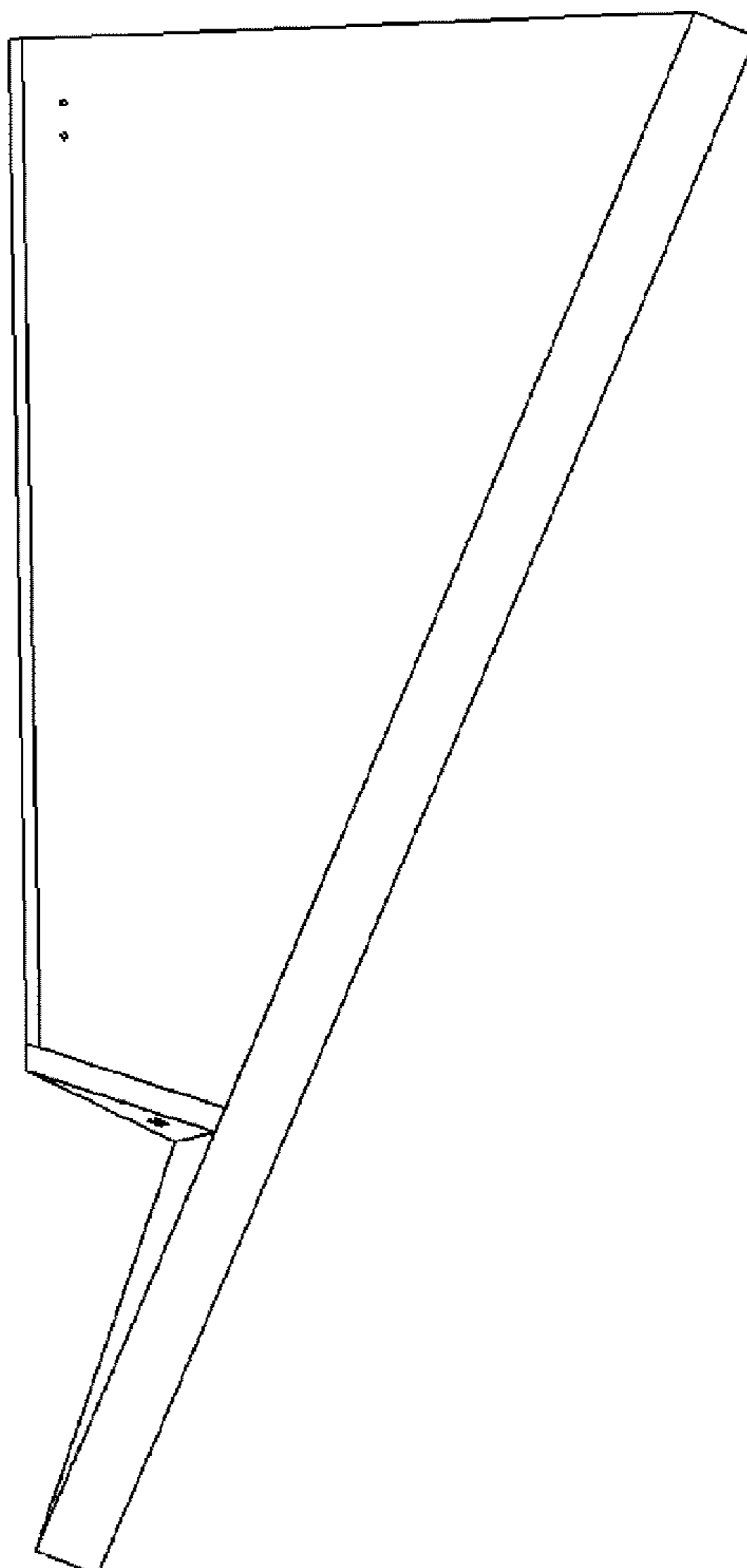
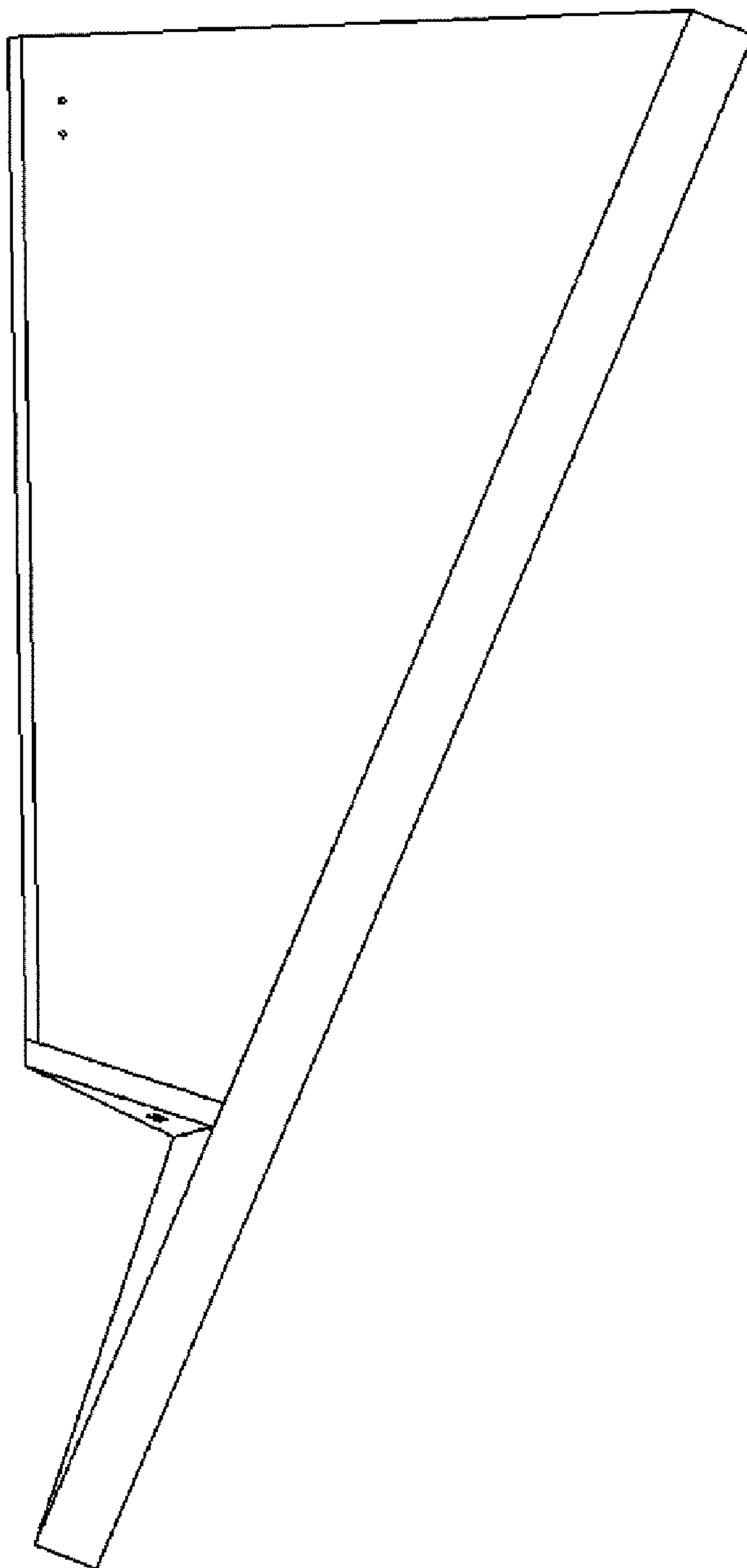


Figure 1



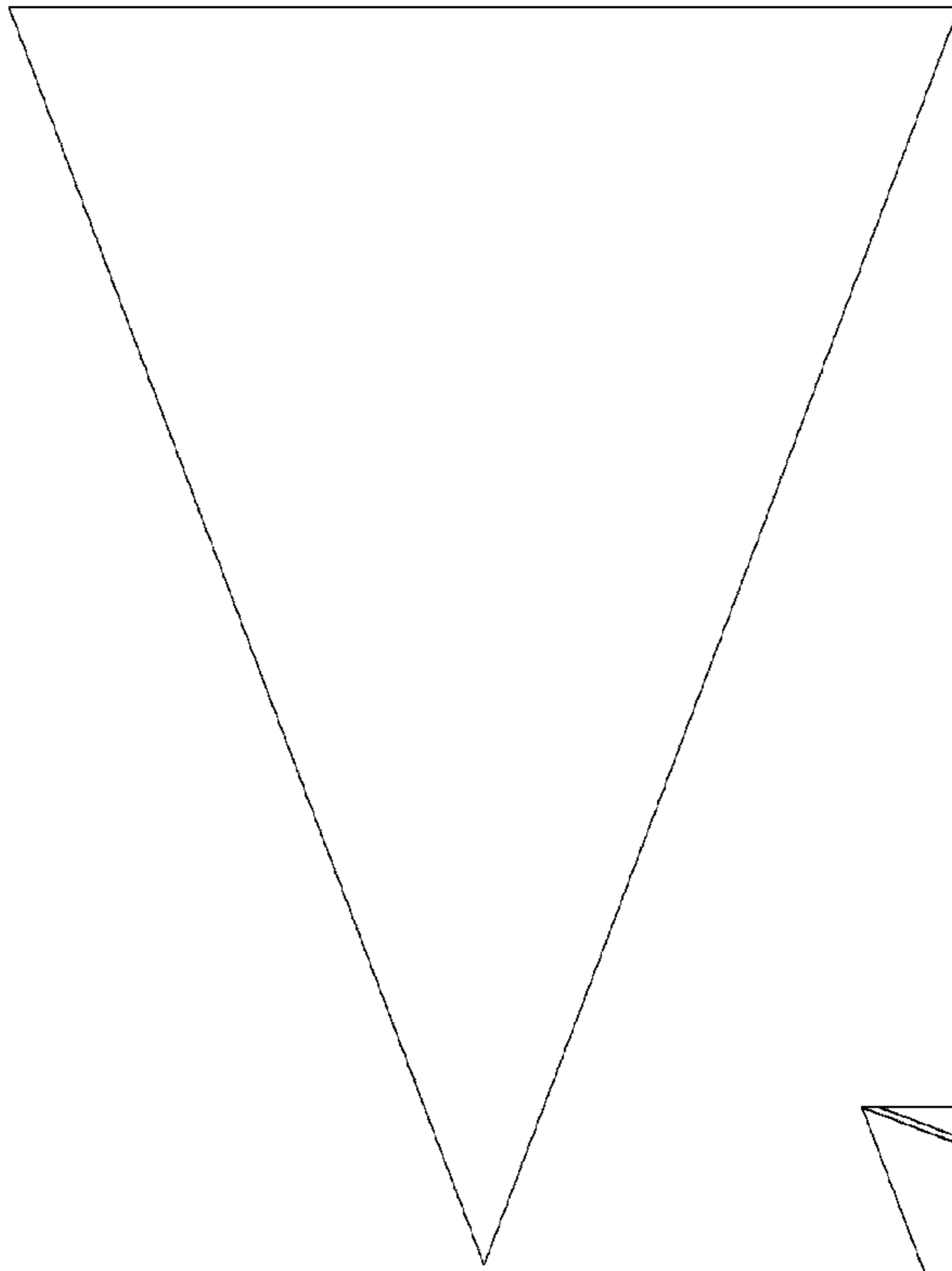


Figure 2

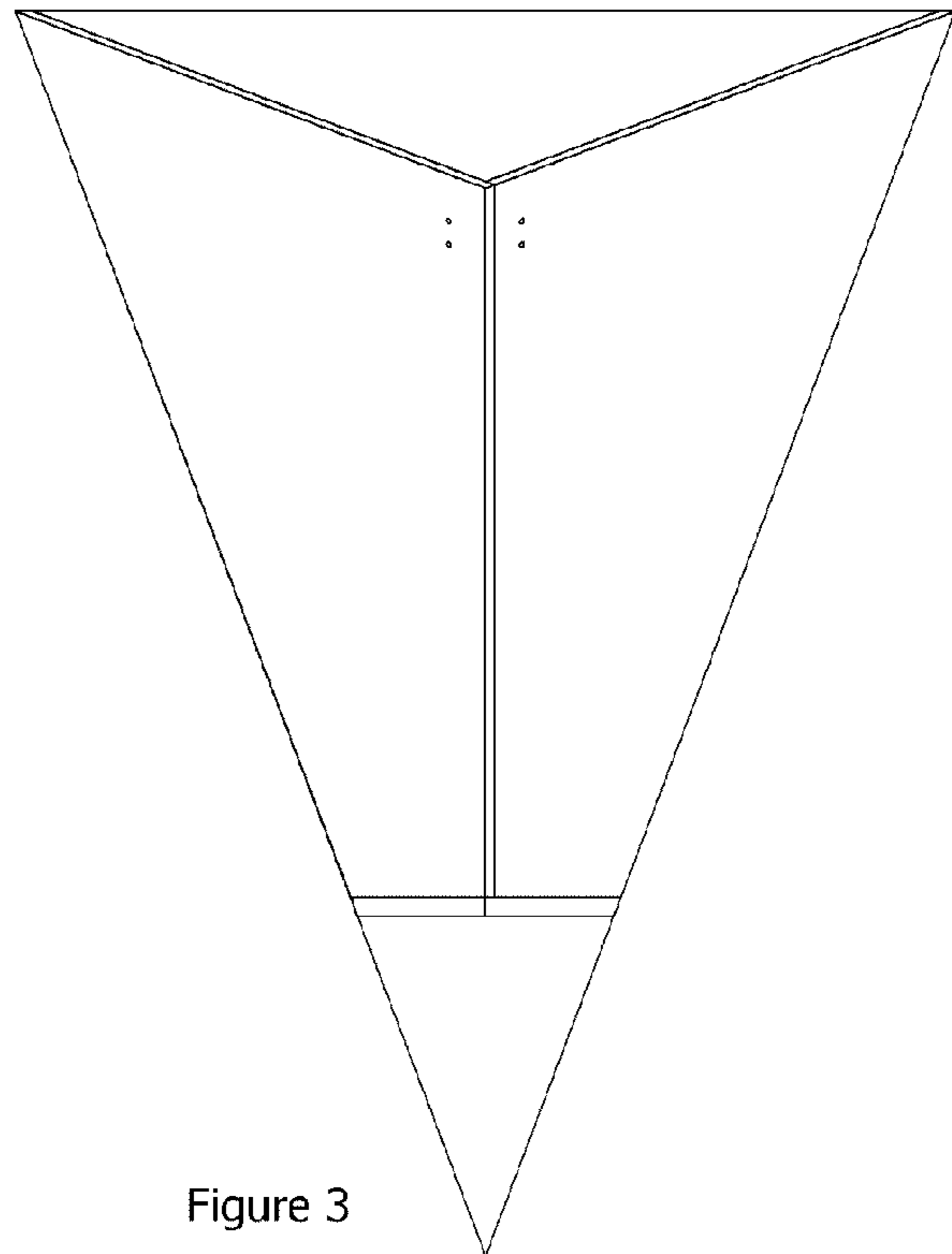


Figure 3

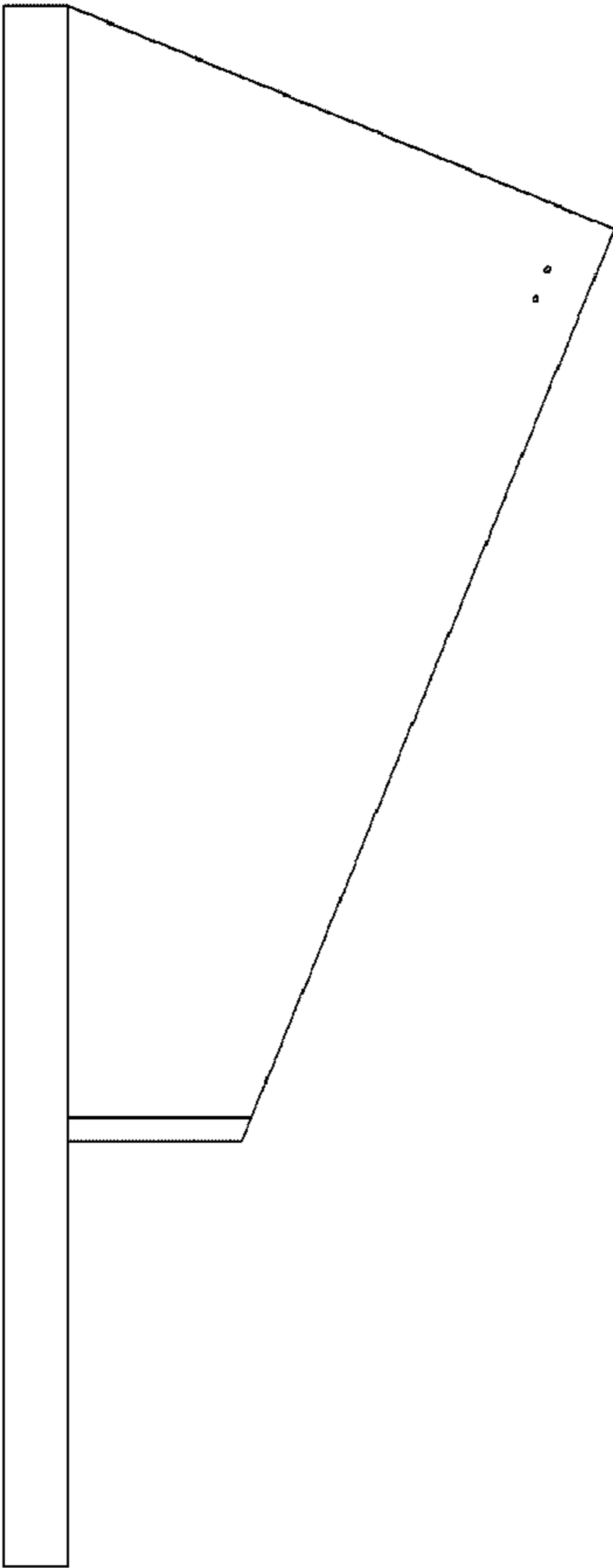


Figure 4

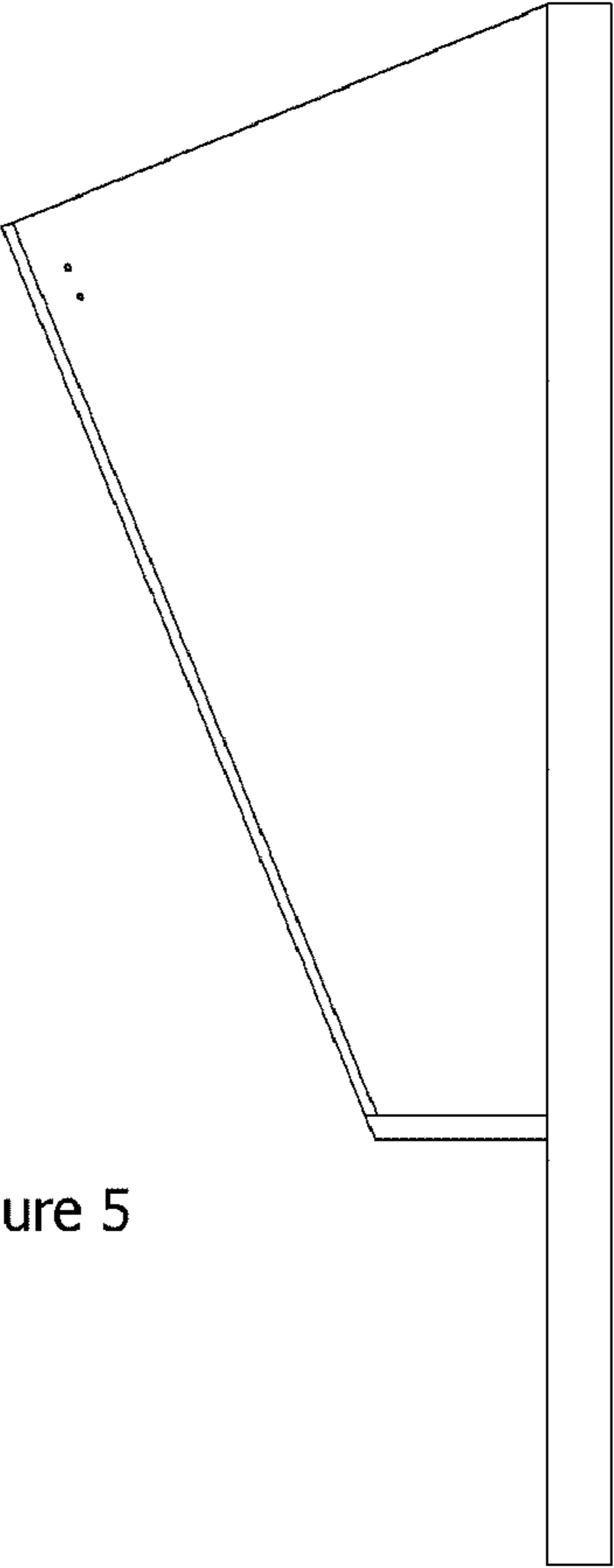


Figure 5

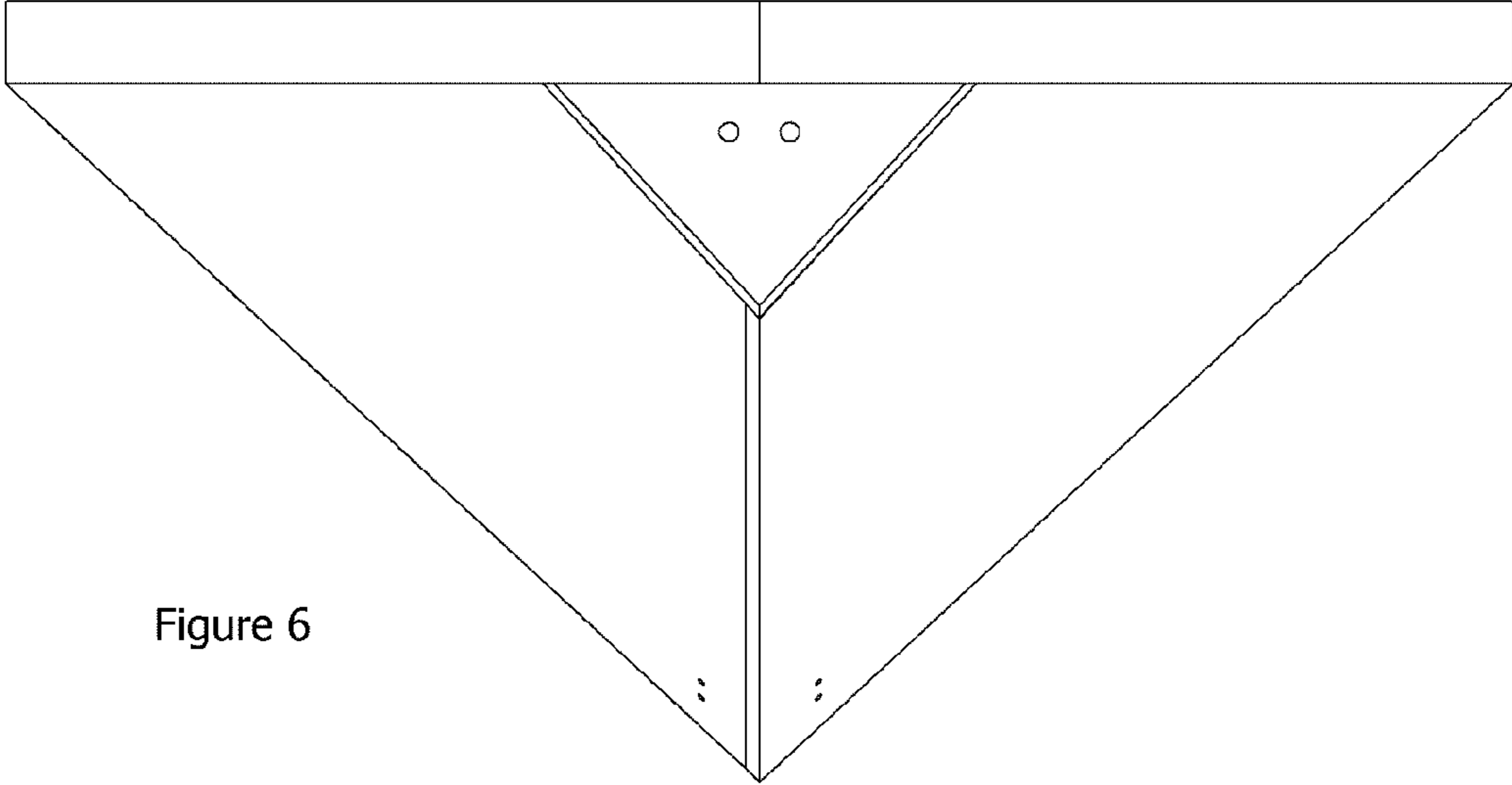


Figure 6

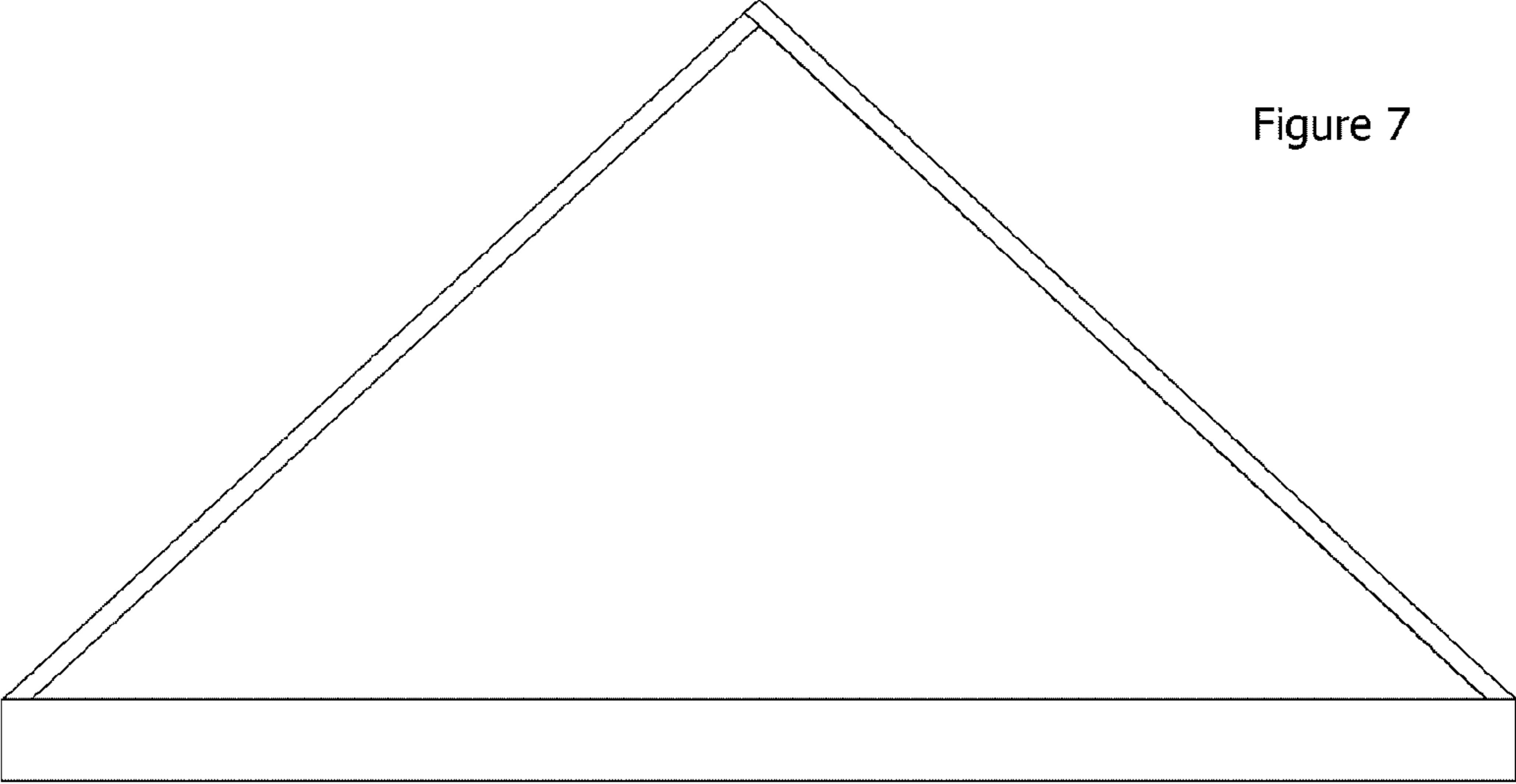


Figure 7