



US00D641004S

(12) **United States Design Patent**
Poandl

(10) **Patent No.:** **US D641,004 S**
(45) **Date of Patent:** **** Jul. 5, 2011**

(54) **LINE-IN SPEAKER SYSTEM**

D581,899 S * 12/2008 Skurdal D14/171
D596,156 S * 7/2009 Morisawa D14/209.1

(75) Inventor: **Mary Beth Poandl**, Red Bank, NJ (US)

* cited by examiner

(73) Assignee: **SDI Technologies, Inc.**, Rahway, NJ (US)

Primary Examiner — Nanda Bondade
(74) *Attorney, Agent, or Firm* — Ostrolenk Faber LLP

(**) Term: **14 Years**

(57) **CLAIM**

(21) Appl. No.: **29/367,076**

The ornamental design for a line-in speaker system, as shown and described.

(22) Filed: **Aug. 3, 2010**

DESCRIPTION

(51) **LOC (9) Cl.** **14-01**

(52) **U.S. Cl.** **D14/209.1**

(58) **Field of Classification Search** D14/204,
D14/207, 209.1, 210–216, 171, 172, 168;
181/143–144, 147–148, 150–153, 157, 198–199;
381/300–303, 306, 332–333, 336, 345, 361–364,
381/386–388

See application file for complete search history.

FIG. 1 is a top, front, side, perspective view of a line-in speaker system showing my new design;
FIG. 2 is a front view thereof;
FIG. 3 is a rear view thereof;
FIG. 4 is a top view thereof;
FIG. 5 is a bottom view thereof;
FIG. 6 is a right side thereof;
FIG. 7 is a left side thereof; and,
FIG. 8 is a cross sectional view thereof at the arrows 8—8 in FIG. 2.

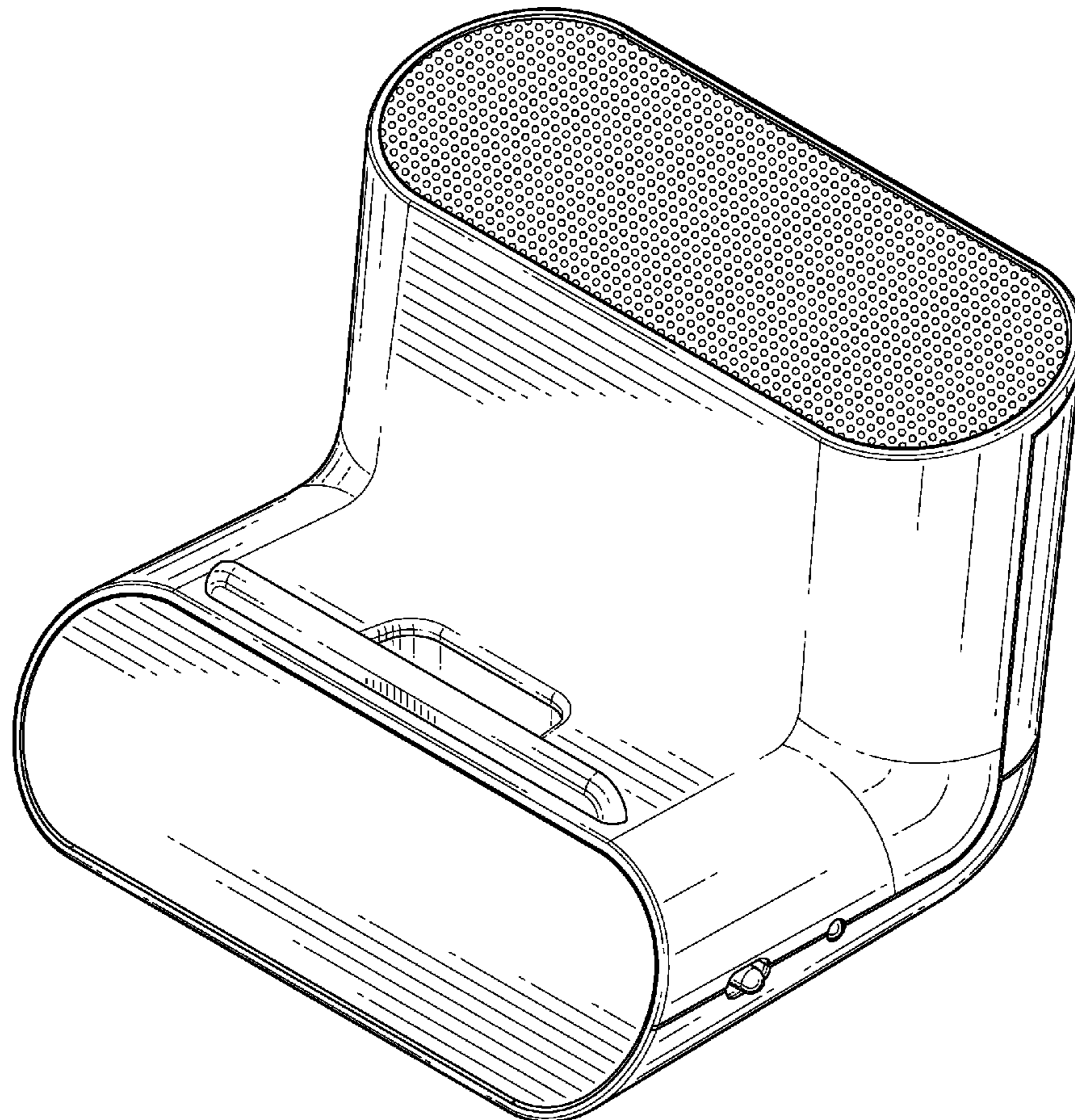
The broken lines in the drawings illustrate environmental material that forms no part of the claimed design.

(56) **References Cited**

U.S. PATENT DOCUMENTS

D560,208 S * 1/2008 Skurdal D14/214
D577,710 S * 9/2008 Joseph D14/204

1 Claim, 8 Drawing Sheets



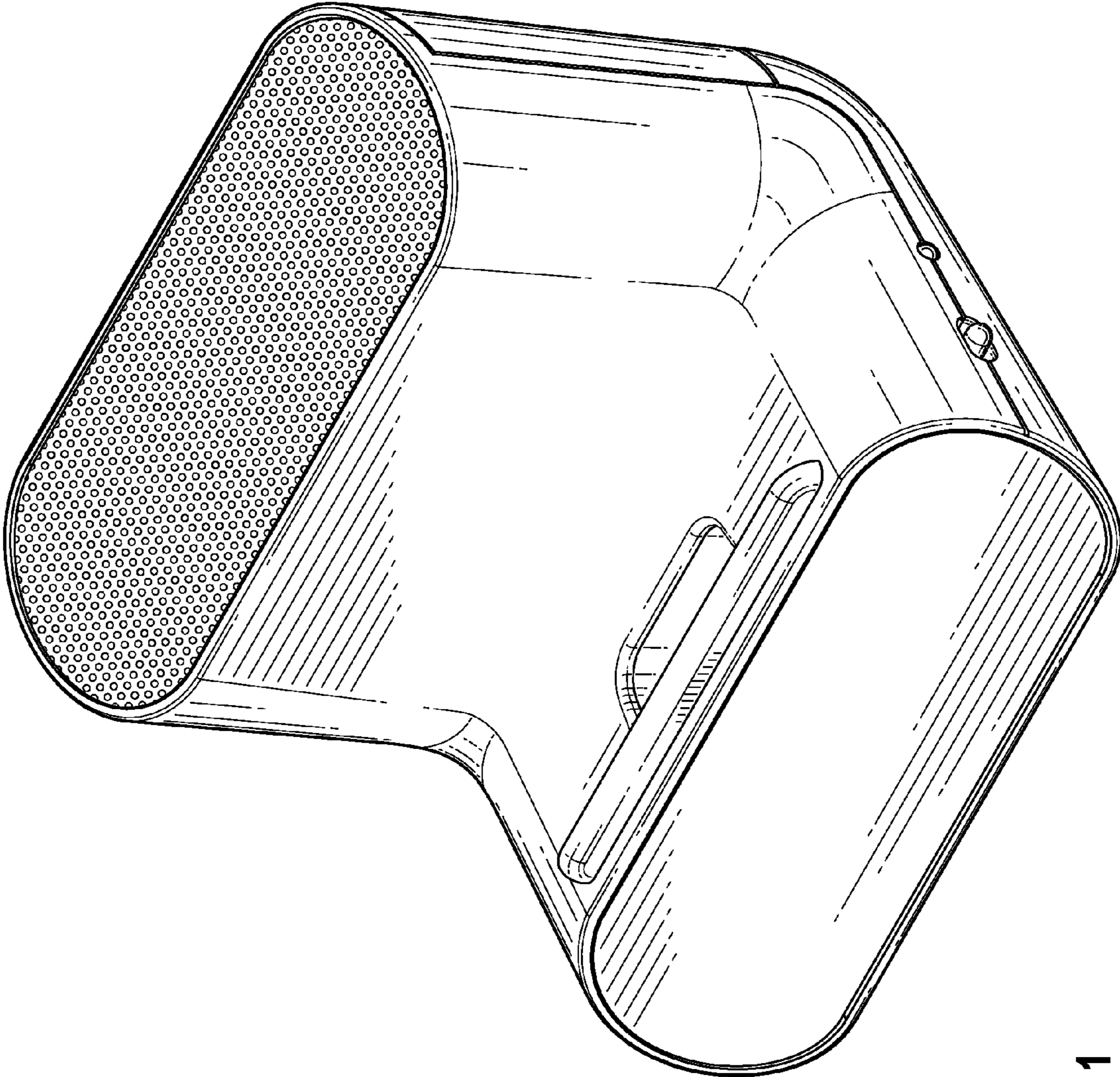


FIG. 1

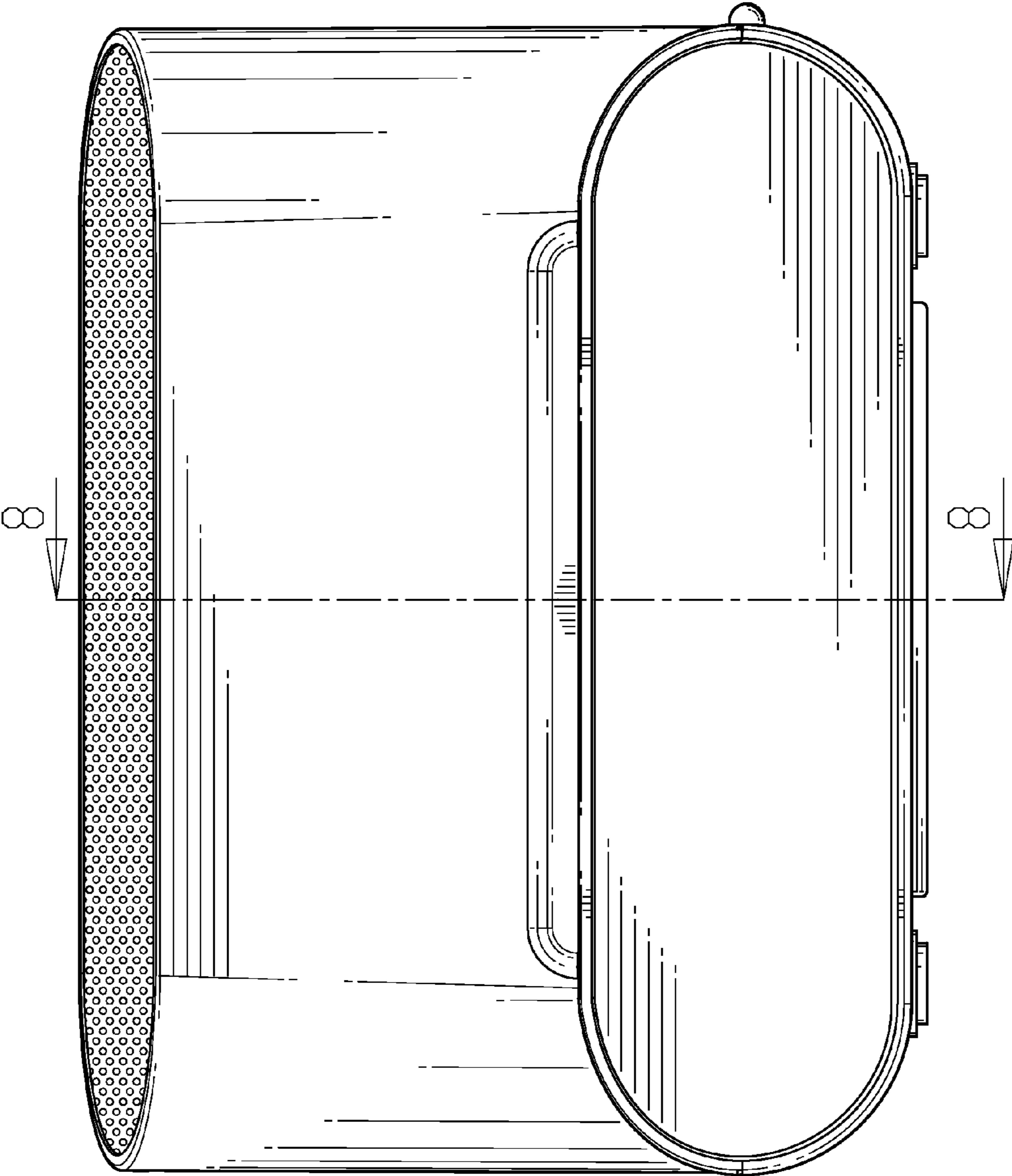


FIG. 2

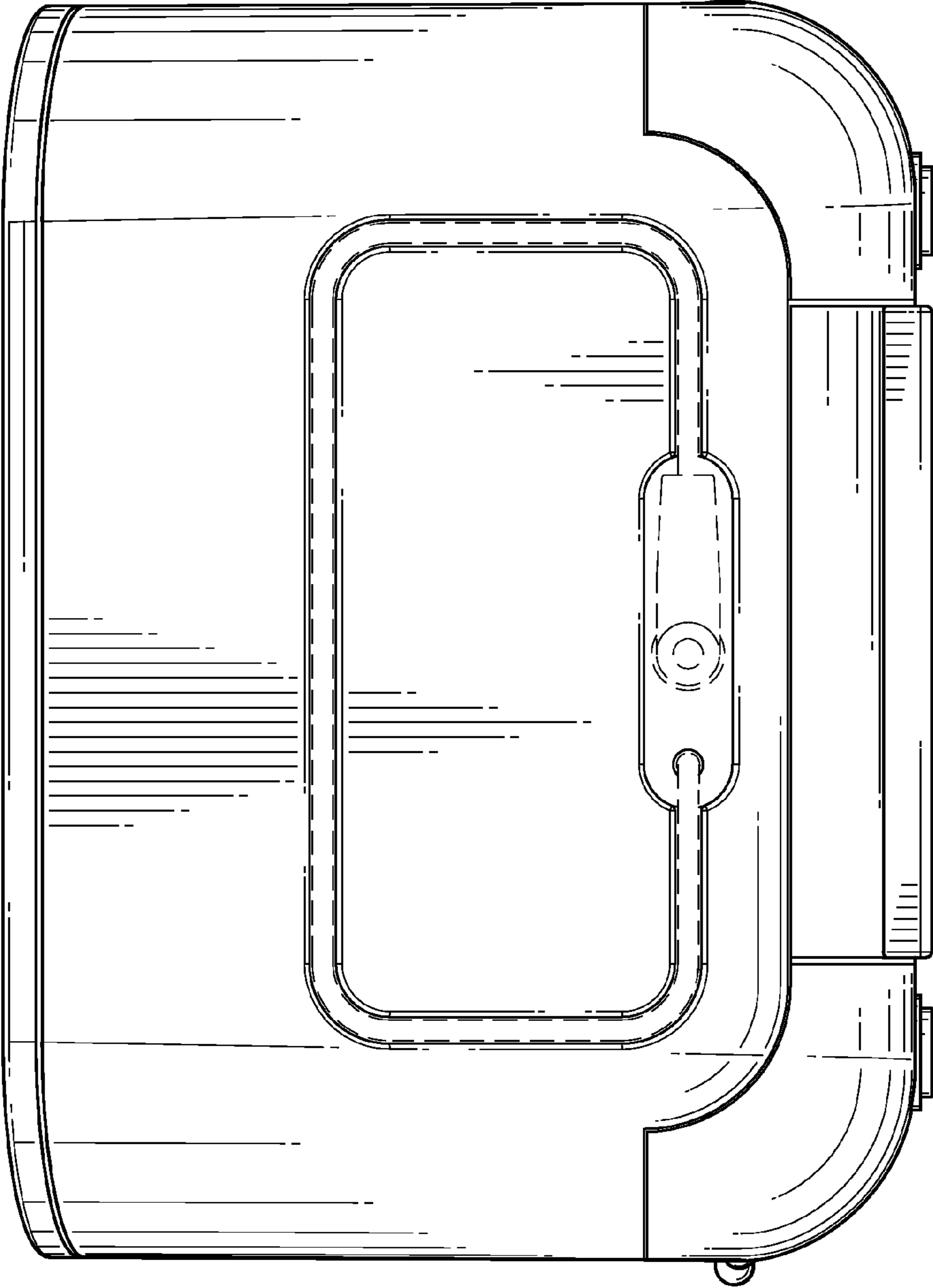


FIG. 3

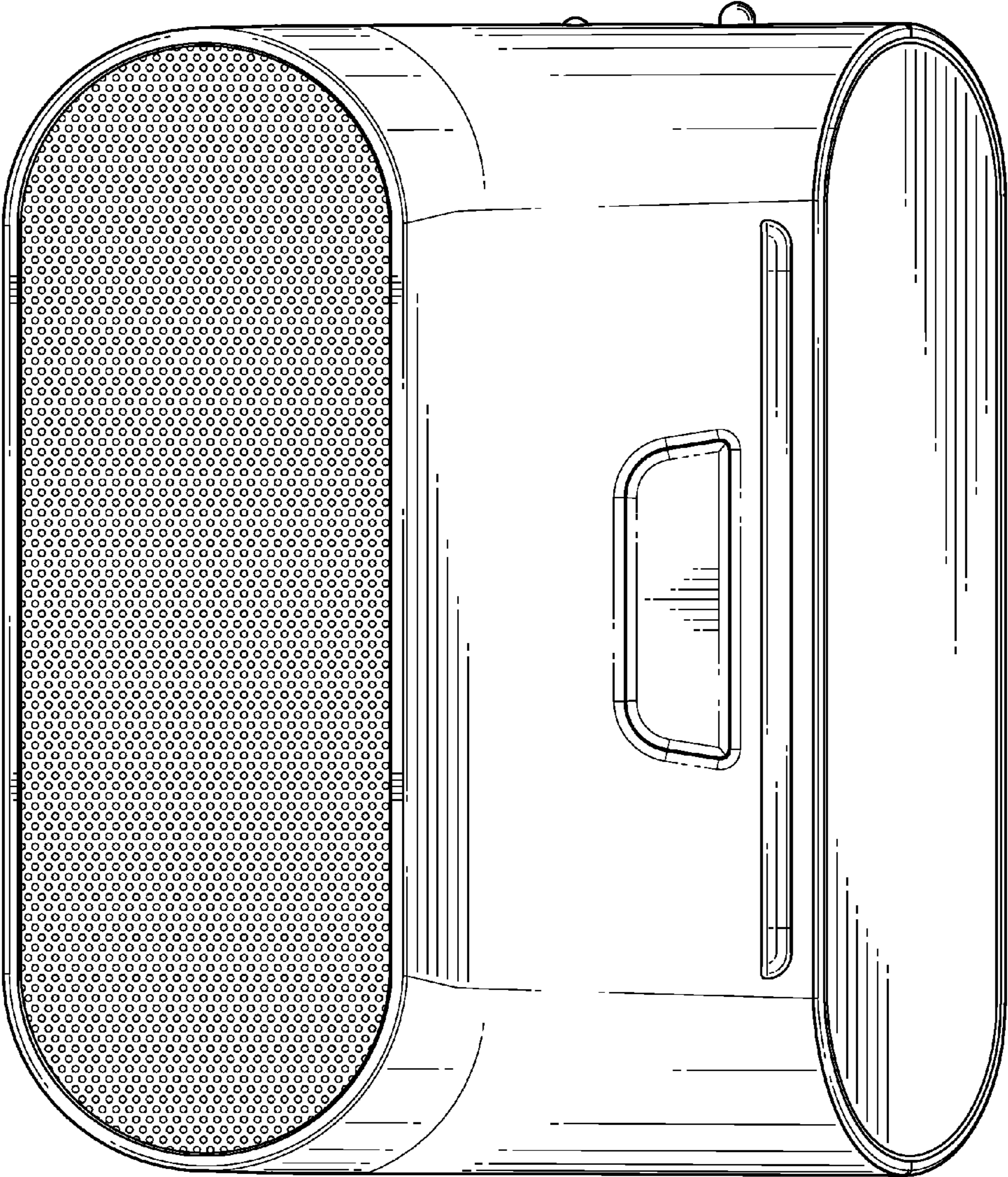


FIG. 4

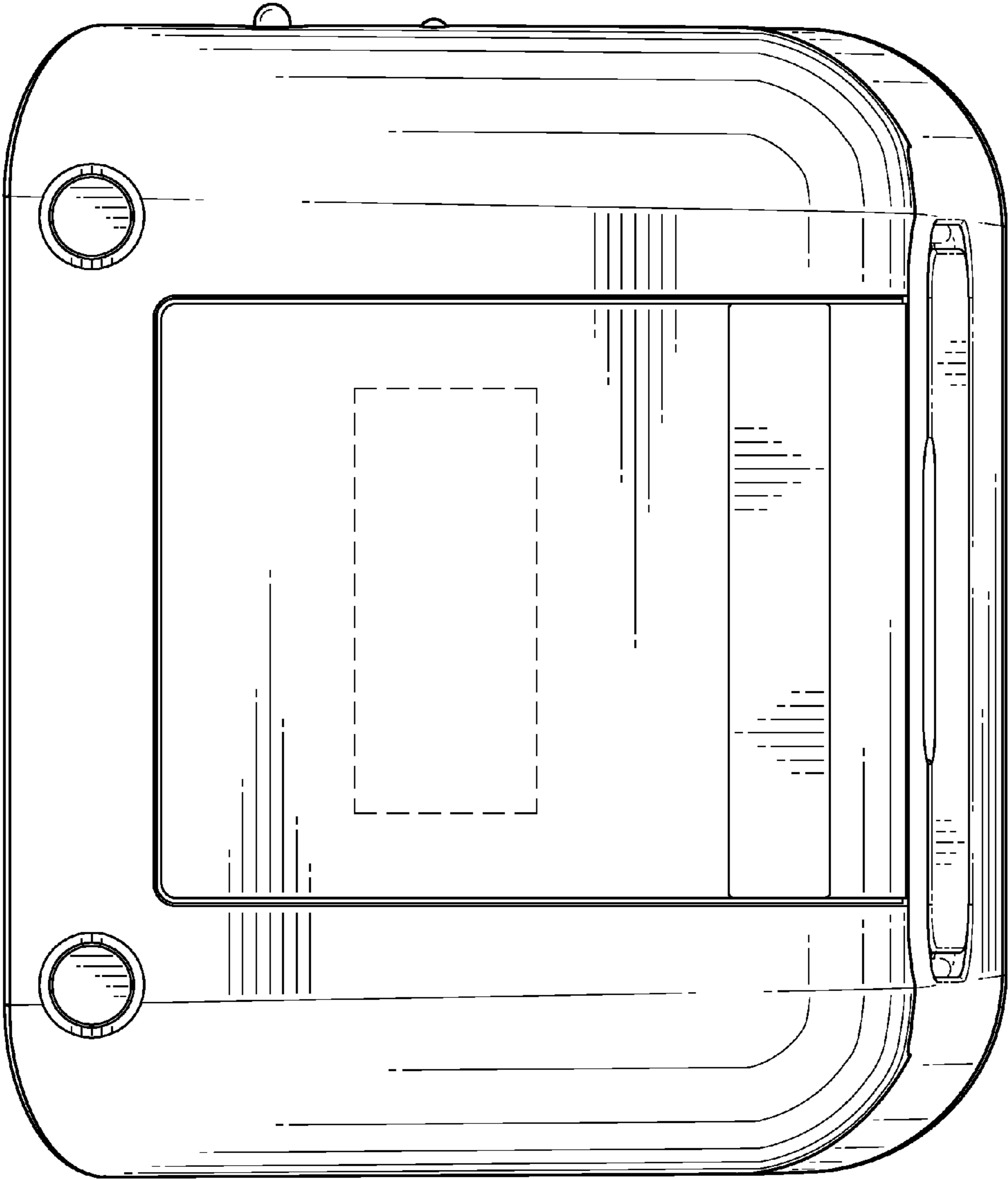


FIG. 5

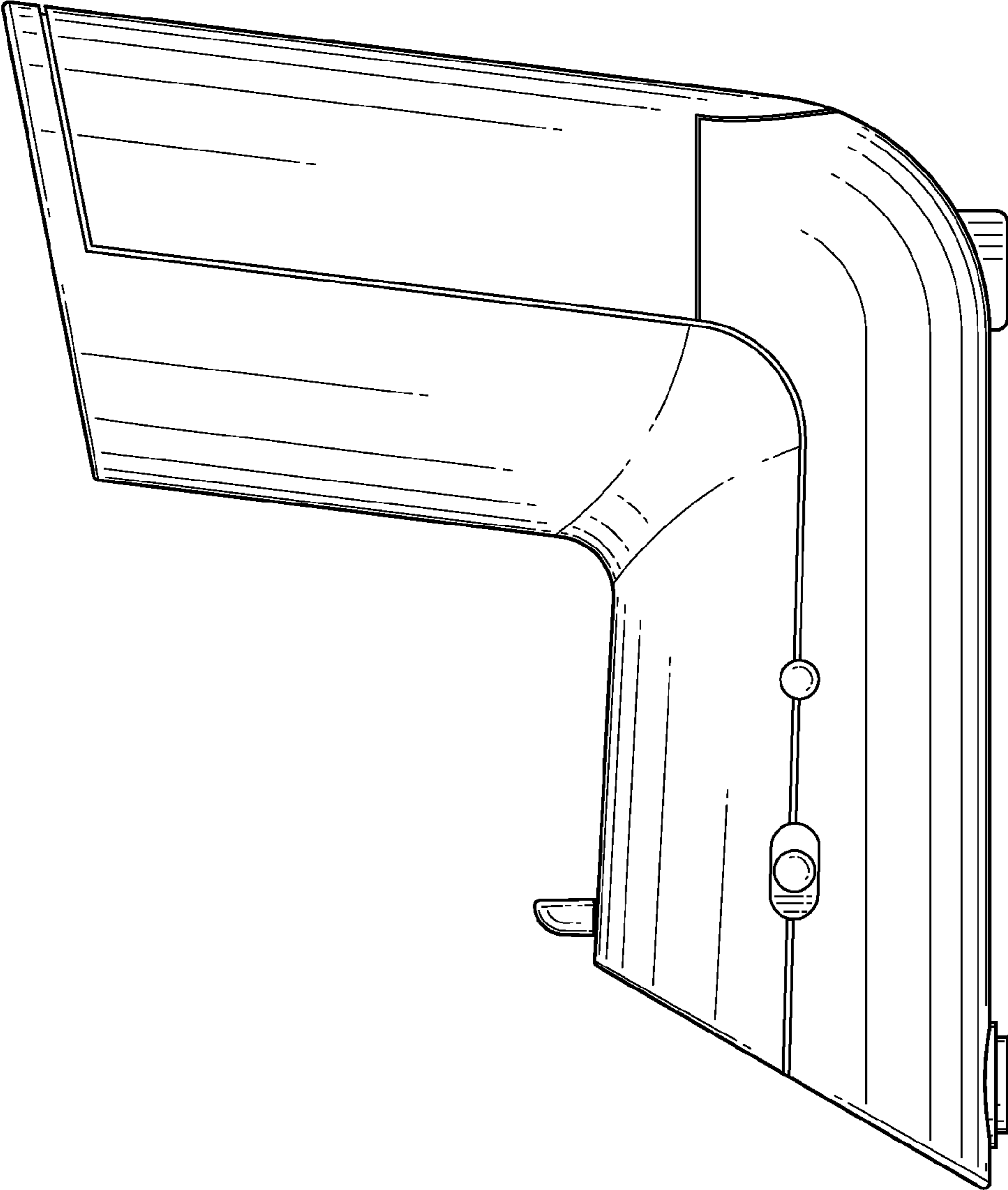


FIG. 6

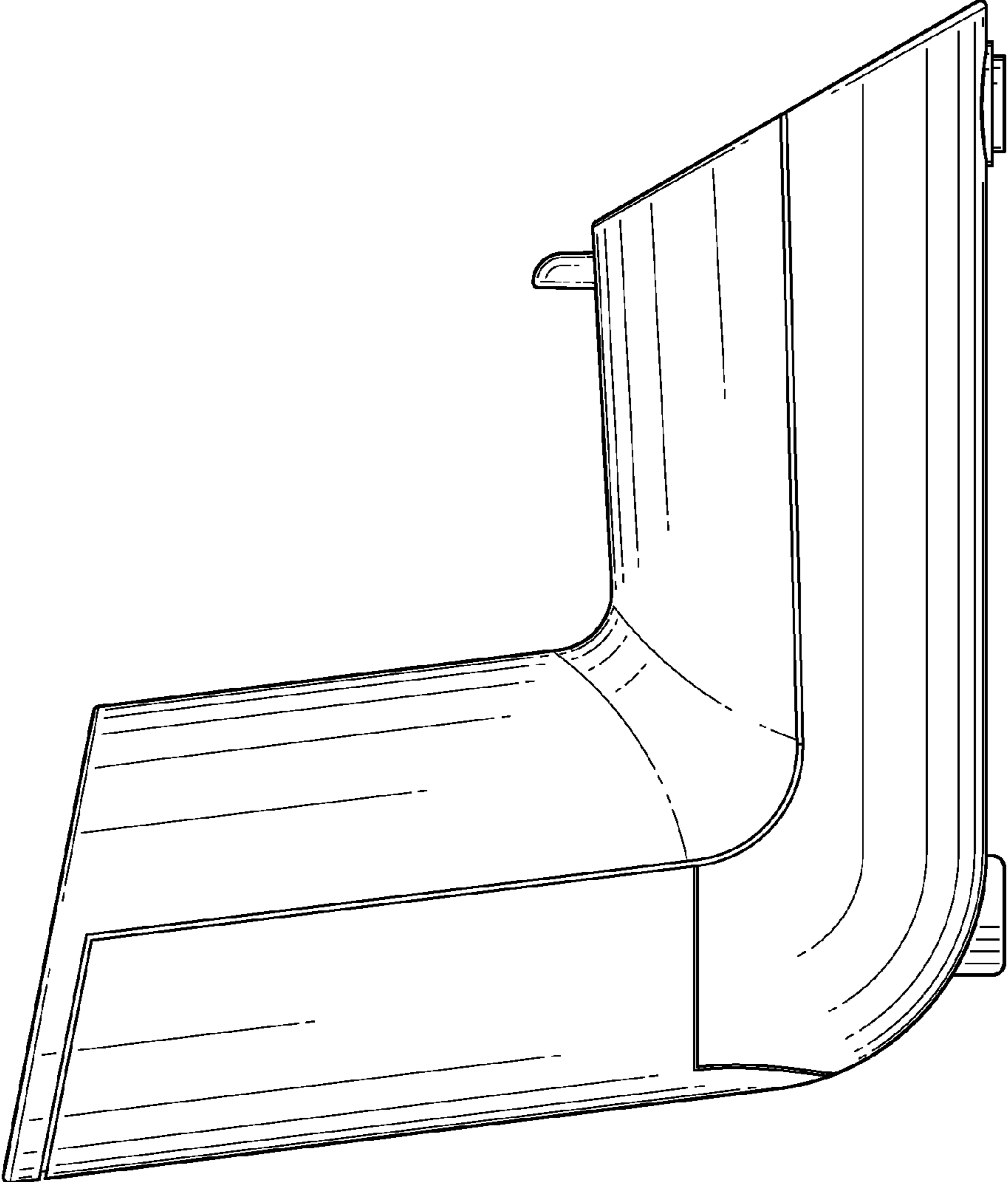


FIG. 7

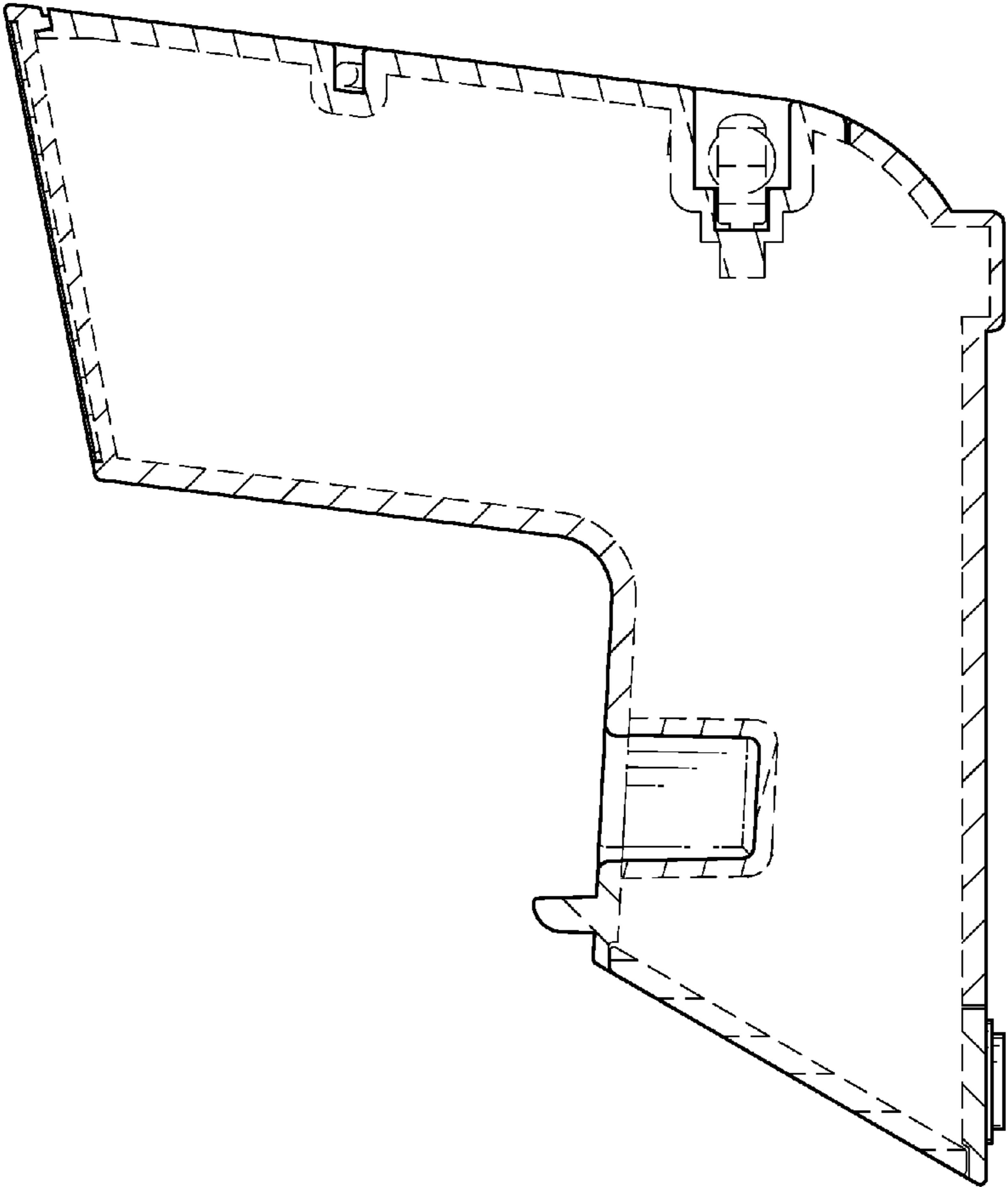


FIG. 8