



US00D641003S

(12) **United States Design Patent**
Alden

(10) **Patent No.:** **US D641,003 S**
(45) **Date of Patent:** **** Jul. 5, 2011**

(54) **HEADPHONE BAND WITH ANGLED SHAPE**

(75) Inventor: **Richard P. Alden**, Park City, UT (US)

(73) Assignee: **Skullcandy, Inc.**, Park City, UT (US)

(**) Term: **14 Years**

(21) Appl. No.: **29/366,268**

(22) Filed: **Jul. 22, 2010**

(51) **LOC (9) Cl.** **14-01**

(52) **U.S. Cl.** **D14/205**

(58) **Field of Classification Search** D14/205,
D14/206, 223; 379/430, 431, 433.01, 433.03;
455/90.3, 575.1; D28/33, 41; 2/171, 181,
2/209, DIG. 11; 132/273, 275, 212; 381/372;
128/866, 867

See application file for complete search history.

(56) **References Cited**

U.S. PATENT DOCUMENTS

2,437,049	A *	3/1948	Salisbury et al.	128/866
2,812,517	A *	11/1957	Bogart et al.	2/174
3,327,807	A *	6/1967	Mullin	181/129
3,579,640	A *	5/1971	Beguin et al.	2/209
4,243,851	A *	1/1981	Forney	381/378
D379,028	S *	5/1997	Young	D2/894
5,697,386	A *	12/1997	Chang	132/273
5,987,647	A *	11/1999	Ouellette	2/171
6,584,984	B2 *	7/2003	Kelly	132/212
D575,268	S *	8/2008	Christopher et al.	D14/205
D588,100	S *	3/2009	Densho et al.	D14/205
D617,308	S *	6/2010	Nousiainen et al.	D14/205
D623,627	S *	9/2010	Alden et al.	D14/205
D628,554	S *	12/2010	Tedja	
D633,471	S *	3/2011	Sugiyama	D14/205

FOREIGN PATENT DOCUMENTS

EM	001548132-0001	6/2009
EM	001665068-0001	2/2010
SG	D2009/11 B	3/2009

* cited by examiner

Primary Examiner — Paula Greene

(74) *Attorney, Agent, or Firm* — Workman Nydegger

(57) **CLAIM**

The ornamental design for headphone band with angled shape, as shown and described.

DESCRIPTION

FIG. 1 is a front perspective view of a headphone band with angled shape;

FIG. 2 is a front elevational view thereof;

FIG. 3 is a rear elevational view thereof;

FIG. 4 is an elevated left view thereof;

FIG. 5 is an elevated right view thereof;

FIG. 6 is an top plan view thereof;

FIG. 7 is an elevated bottom view thereof;

FIG. 8 is a perspective view of the headphone band shown in isolation;

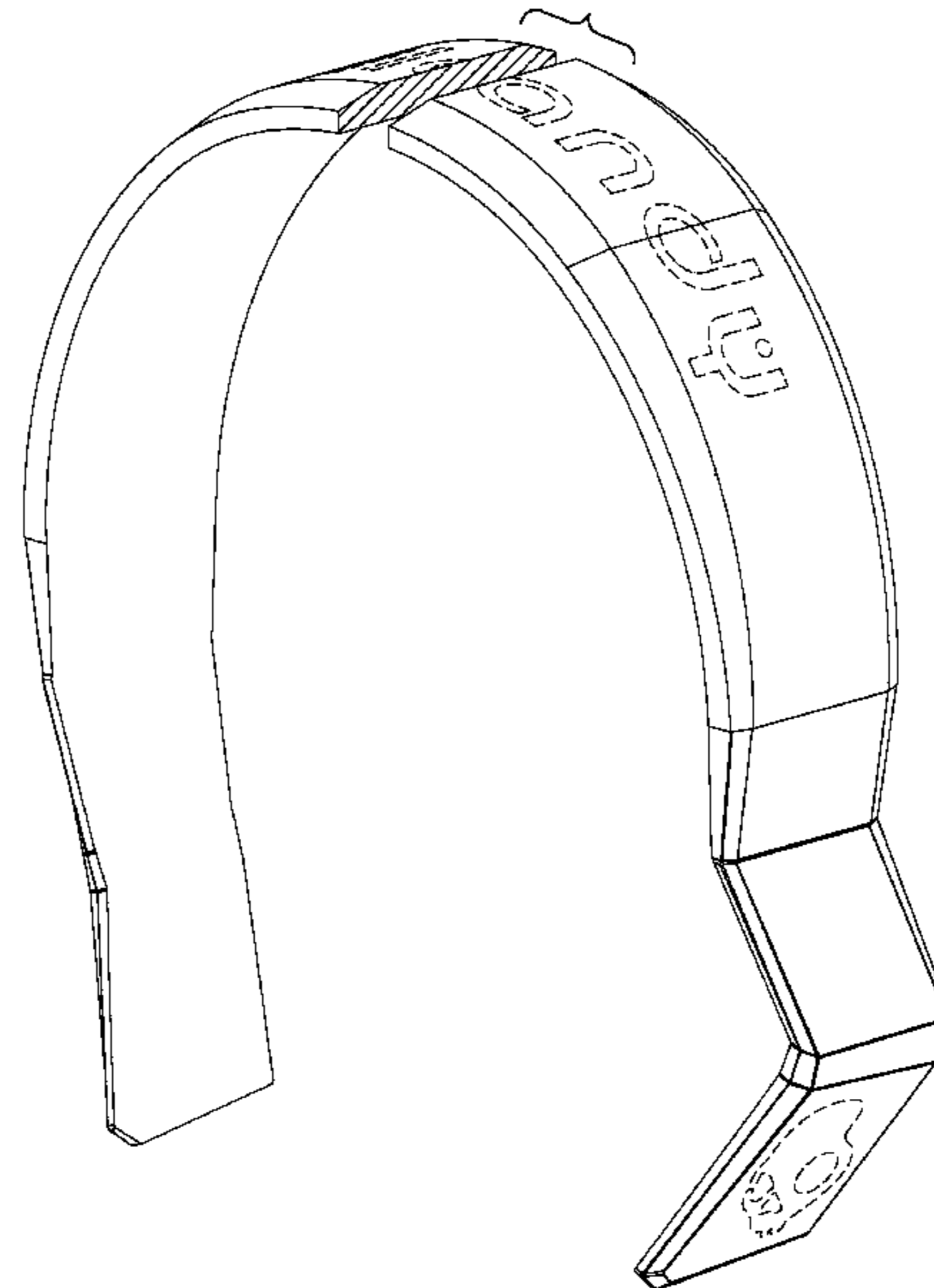
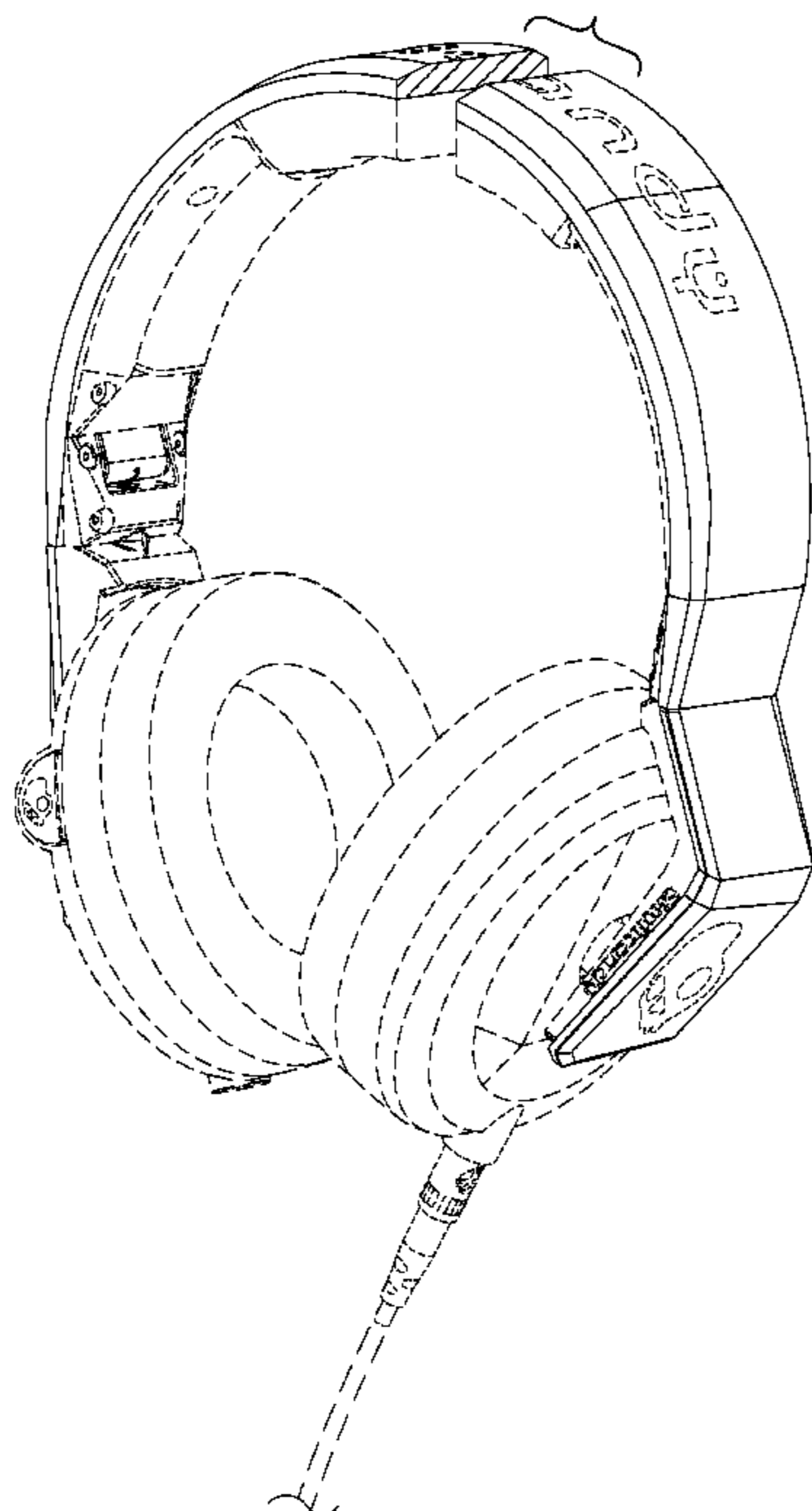
FIG. 9 is a facing view of the headphone band shown in isolation;

FIG. 10 is a rear view of the headphone band shown in isolation; and,

FIG. 11 is a bottom plan view of the headphone band shown in isolation.

The dotted lines illustrate environmental features of an exemplary headphone band with angled shape, and form no part of the claimed design.

1 Claim, 10 Drawing Sheets



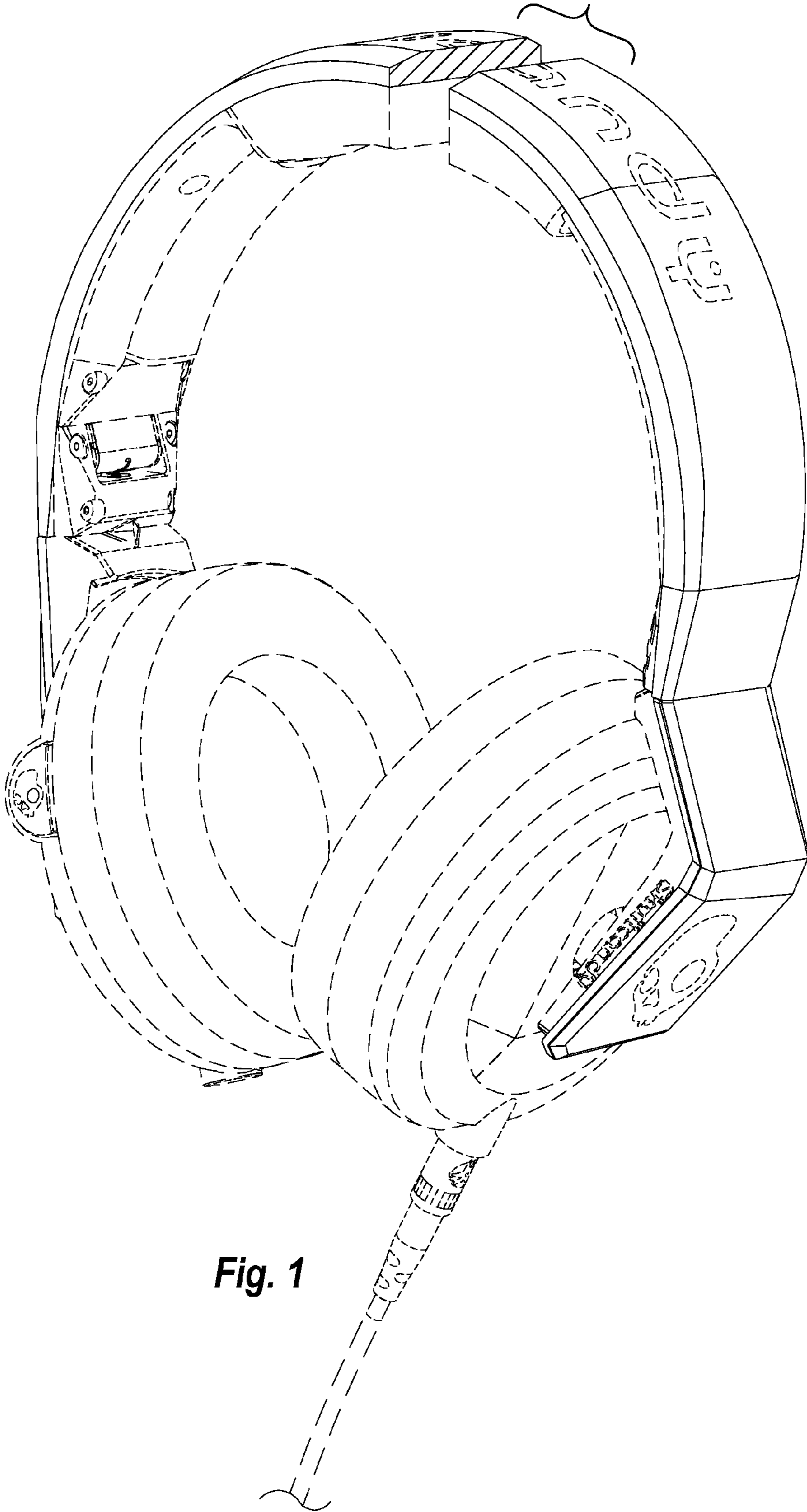


Fig. 1

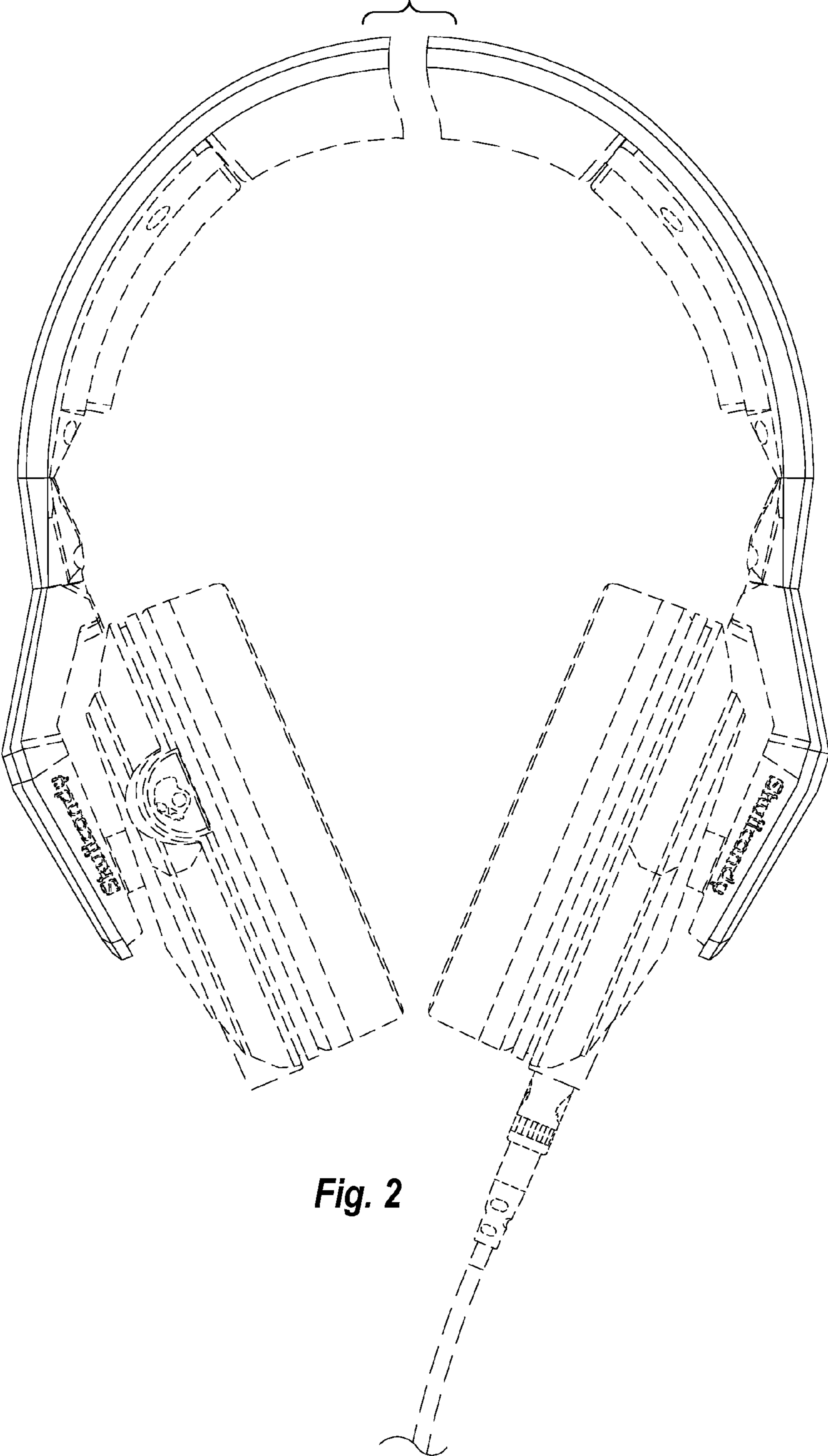


Fig. 2

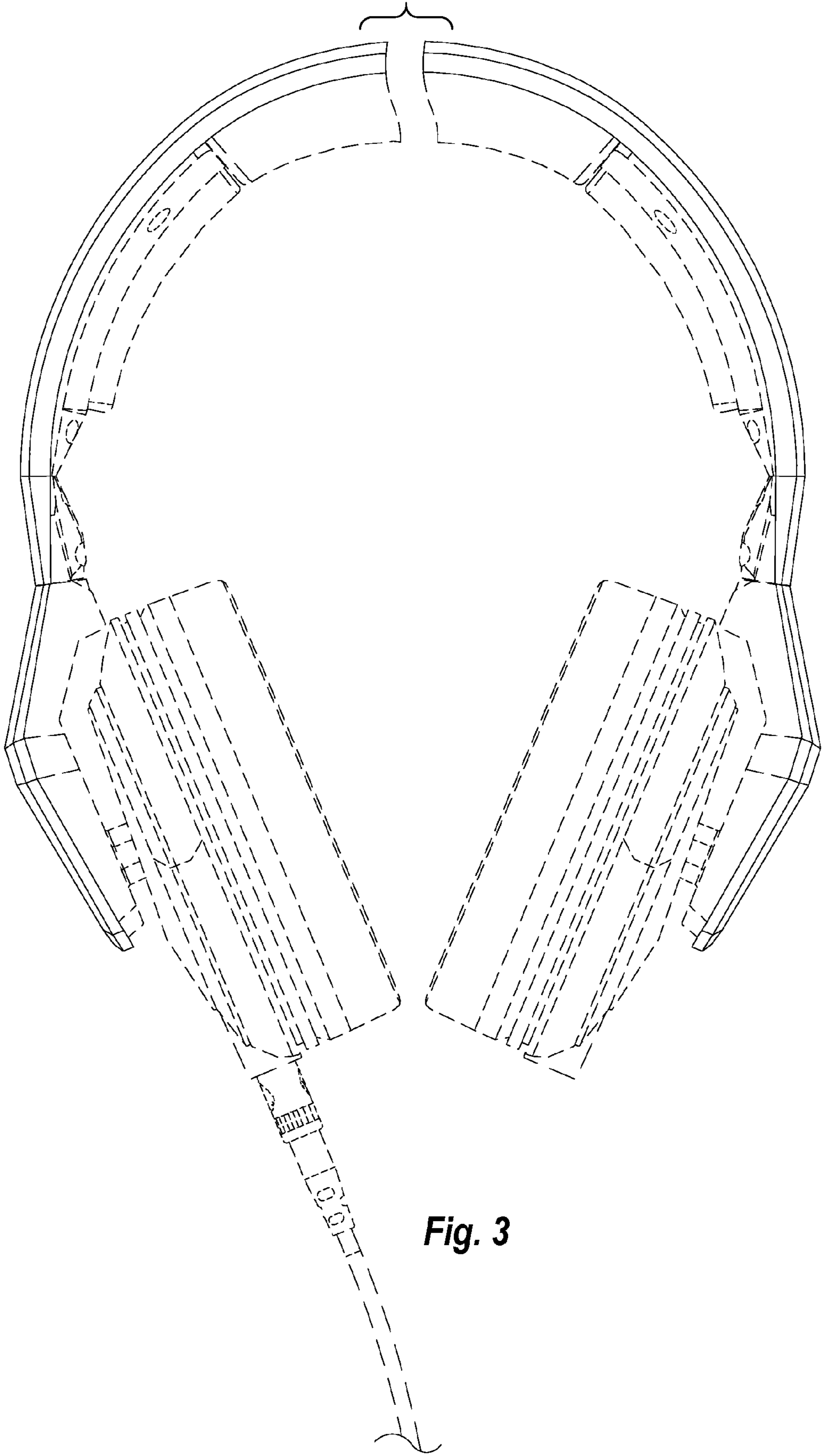


Fig. 3

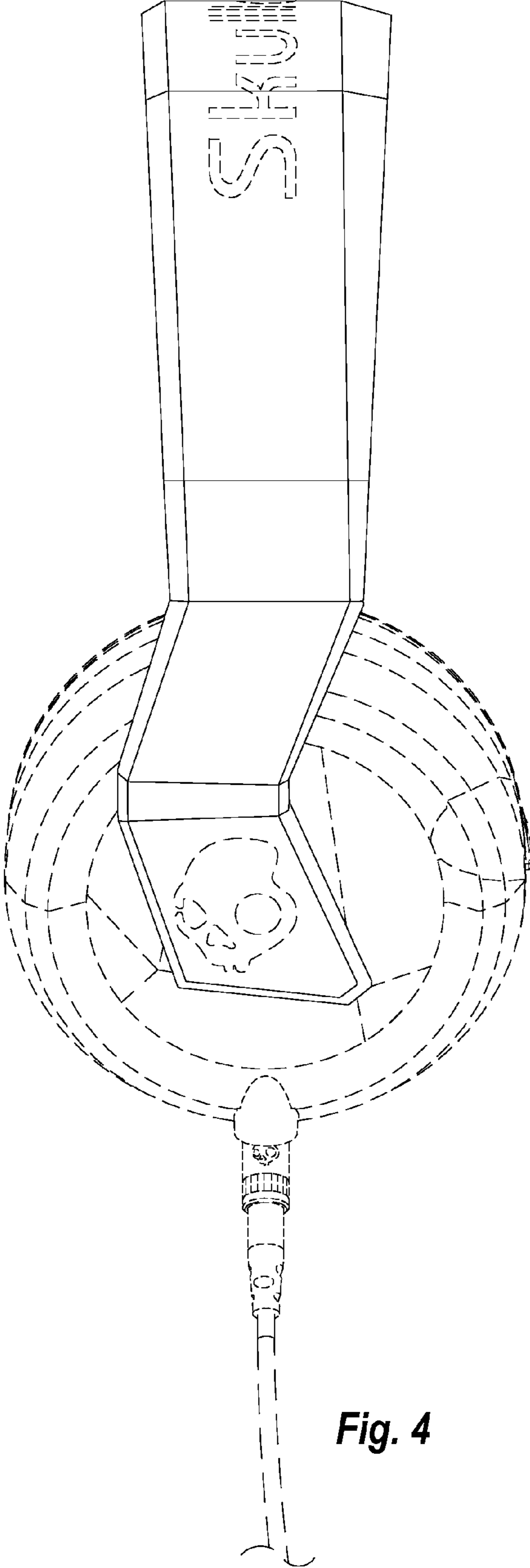


Fig. 4

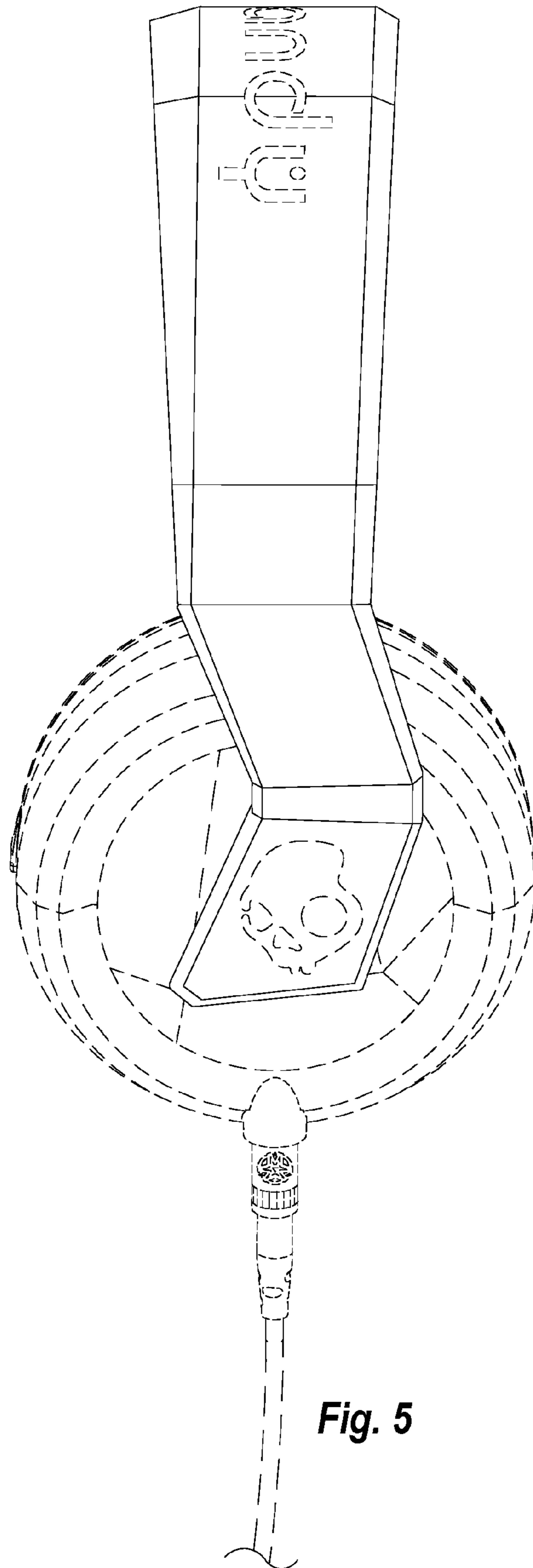


Fig. 5

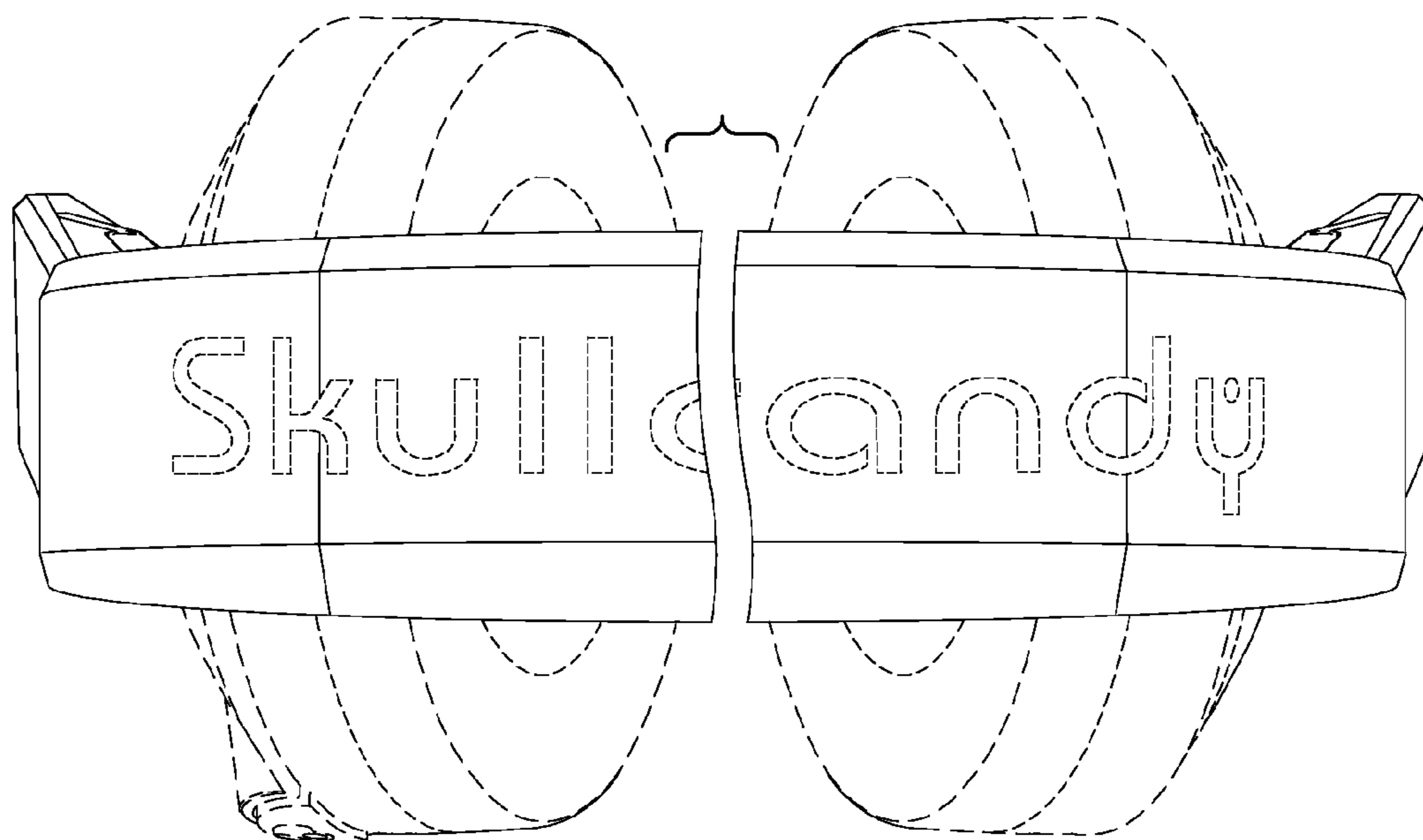


Fig. 6

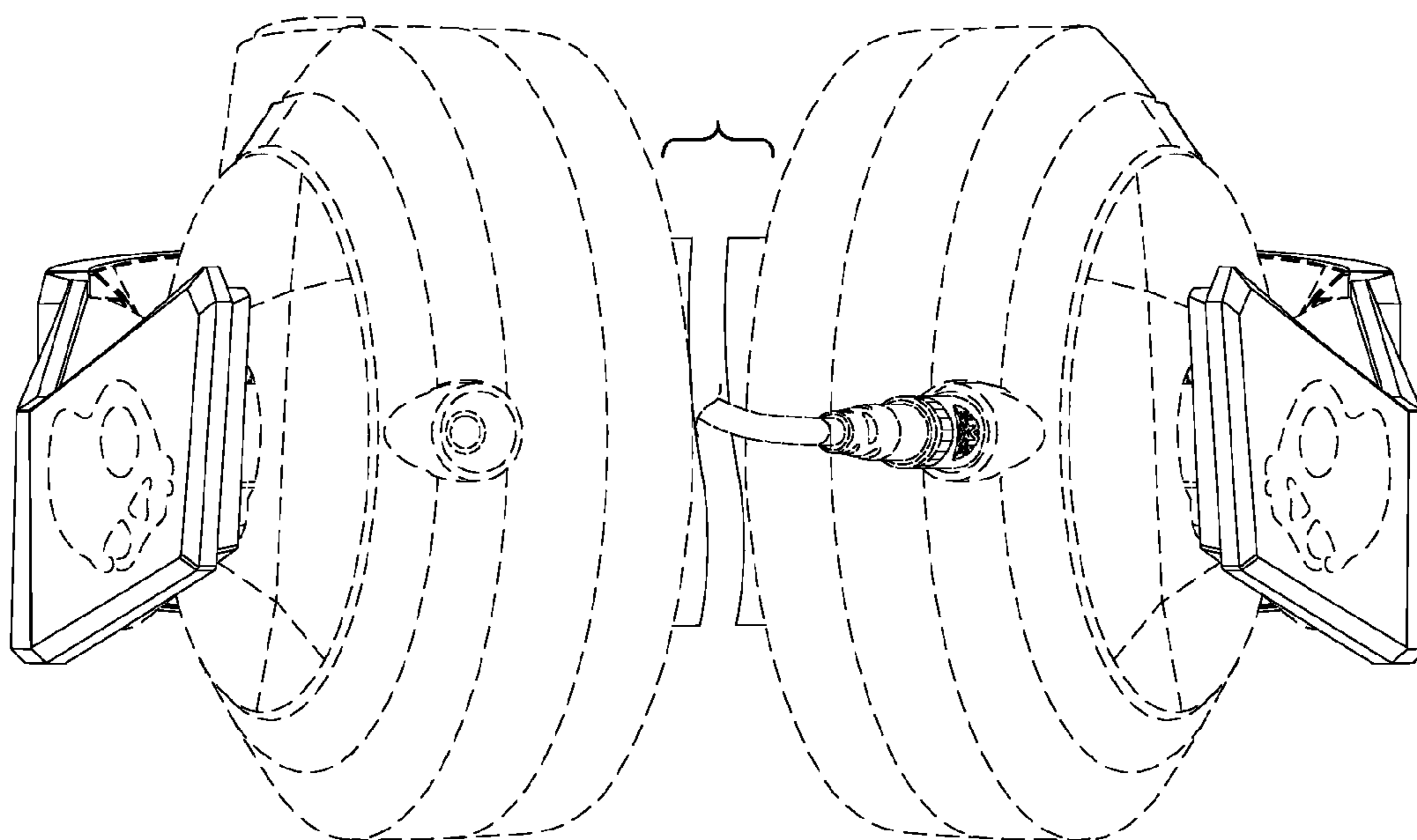


Fig. 7

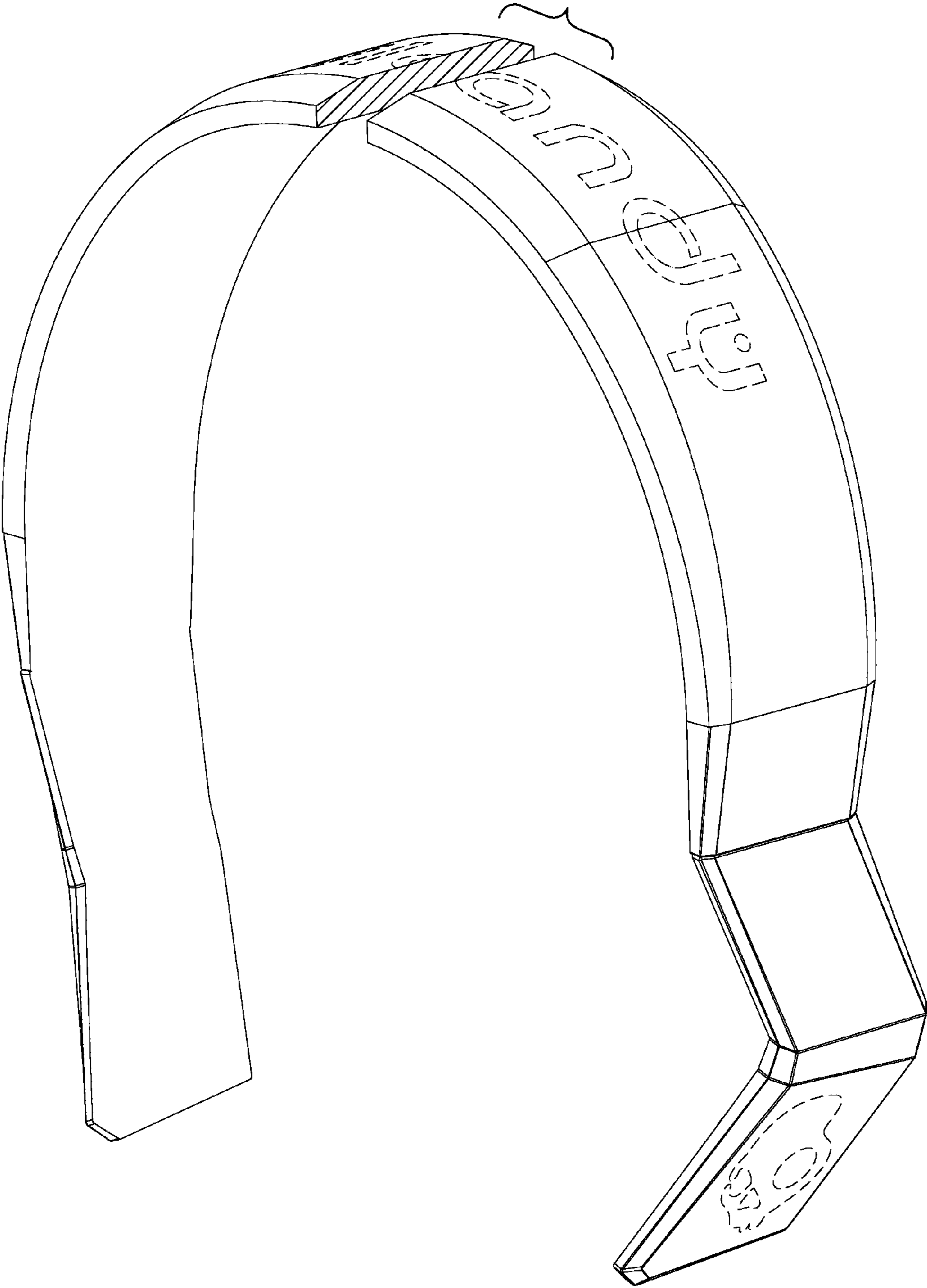


Fig. 8

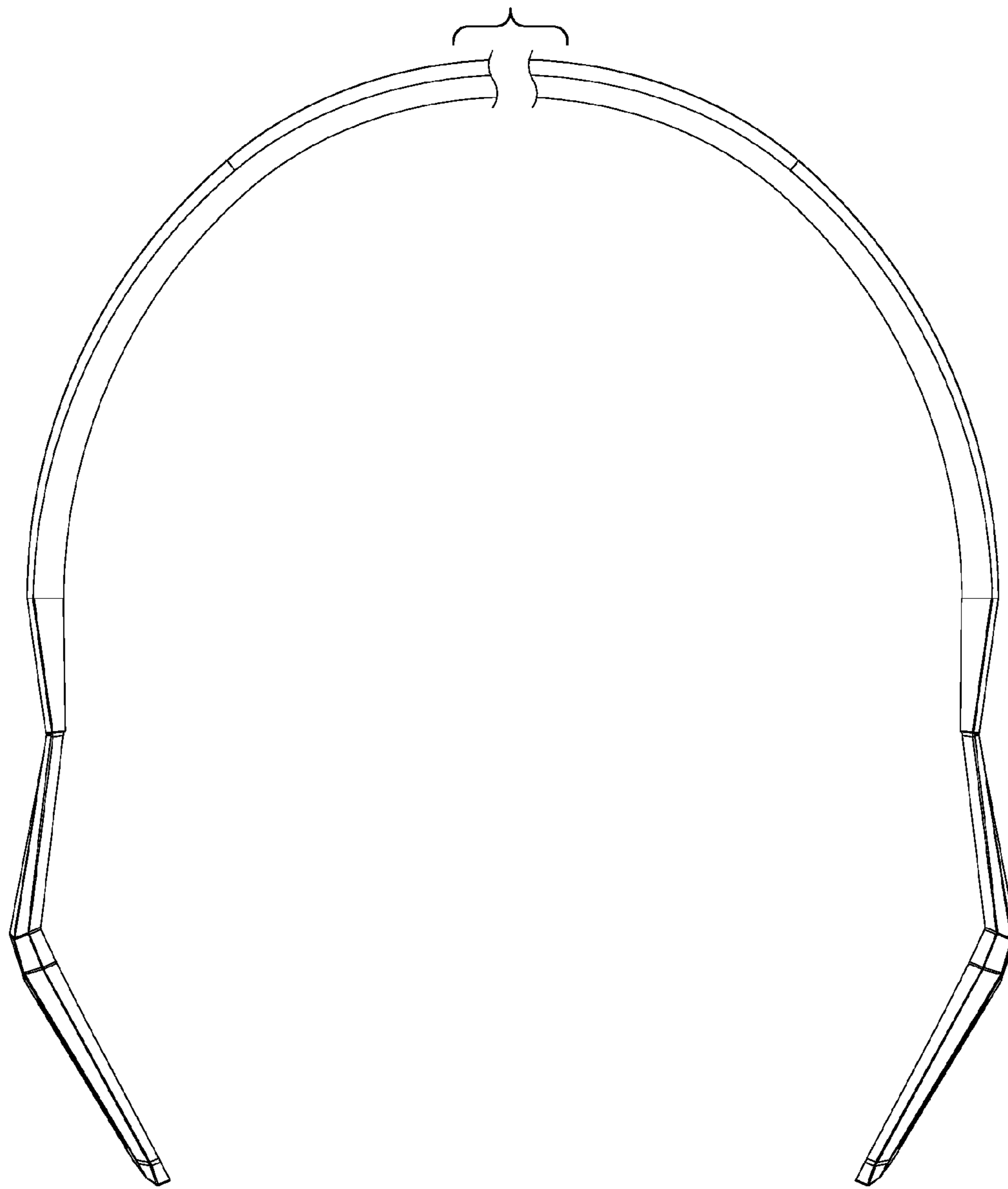


Fig. 9

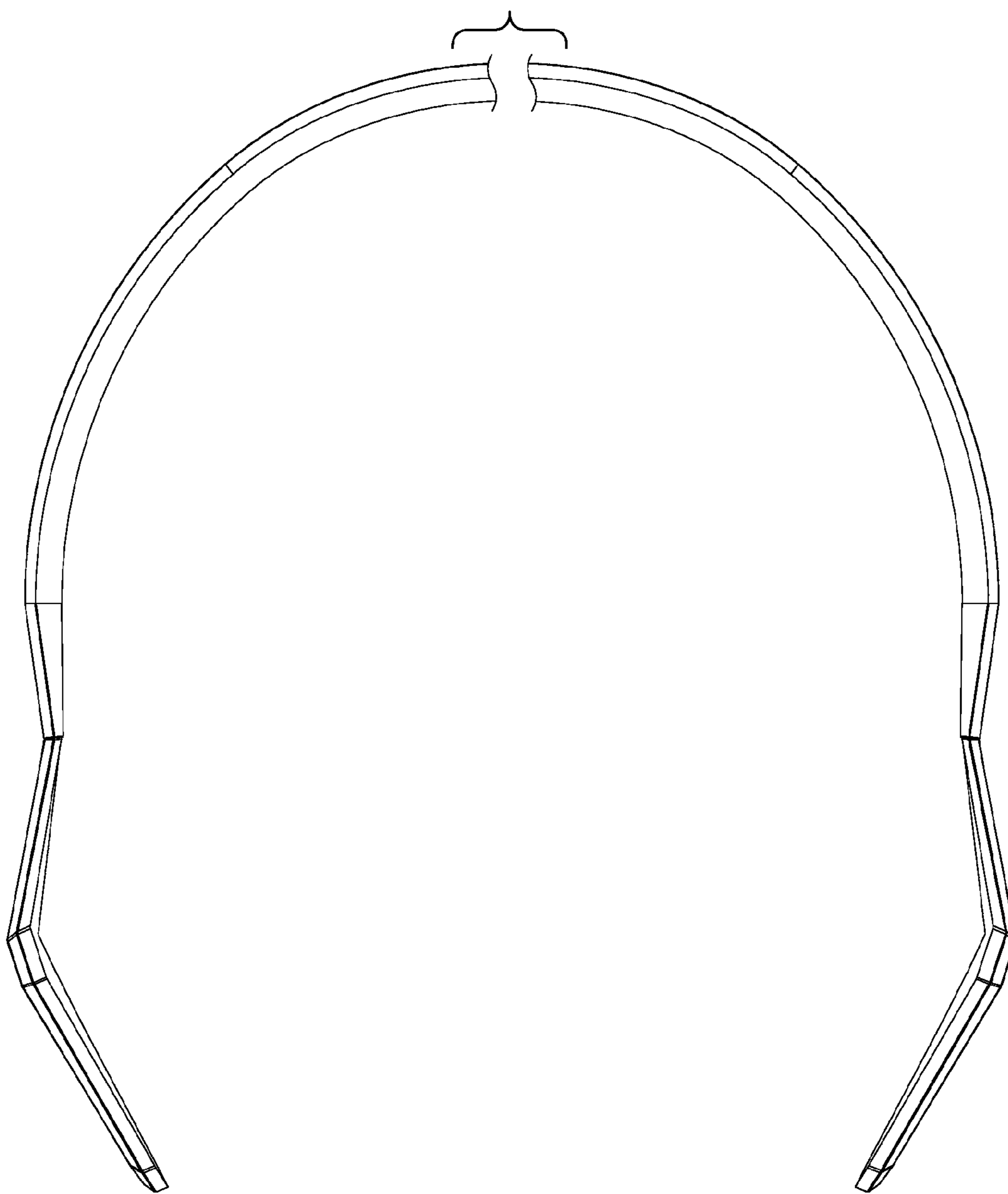


Fig. 10

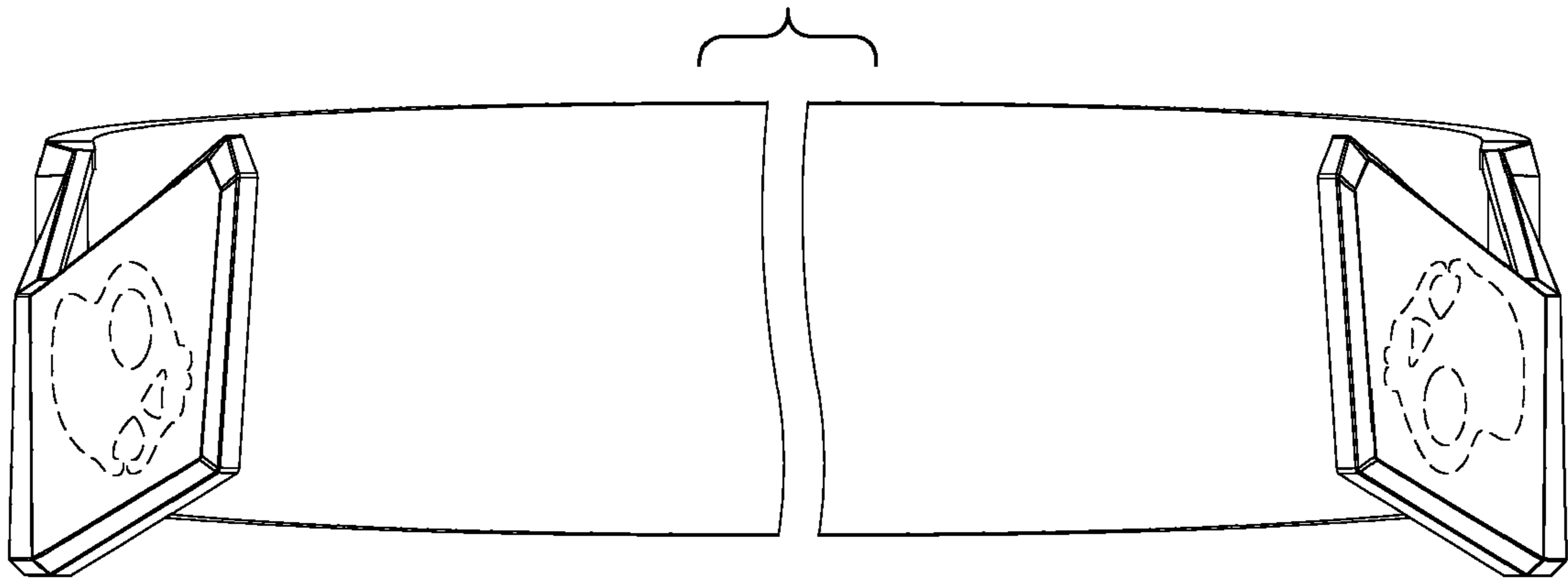


Fig. 11