



US00D641000S

(12) **United States Design Patent**
Chen

(10) **Patent No.:** **US D641,000 S**
(45) **Date of Patent:** **** Jul. 5, 2011**

(54) **LIQUID CRYSTAL DISPLAY TELEVISION**

(56) **References Cited**

(75) Inventor: **Szu-Yin Chen**, Zhonghe (TW)
(73) Assignee: **Top Victory Investments Ltd.**, Harbour (HK)
(**) Term: **14 Years**

U.S. PATENT DOCUMENTS

D601,104 S *	9/2009	Kim	D14/126
D608,312 S *	1/2010	Lim et al.	D14/126
D608,314 S *	1/2010	Boo et al.	D14/126
D621,374 S *	8/2010	Kim et al.	D14/126
D623,620 S *	9/2010	Kim et al.	D14/126

* cited by examiner

(21) Appl. No.: **29/378,894**

Primary Examiner — Raphael Barkai

(22) Filed: **Nov. 11, 2010**

(74) *Attorney, Agent, or Firm* — Alan Kamrath; Kamrath & Associates PA

(51) **LOC (9) Cl.** **14-03**

(57) **CLAIM**

(52) **U.S. Cl.** **D14/126**

The ornamental design for Liquid crystal display television, as shown and described.

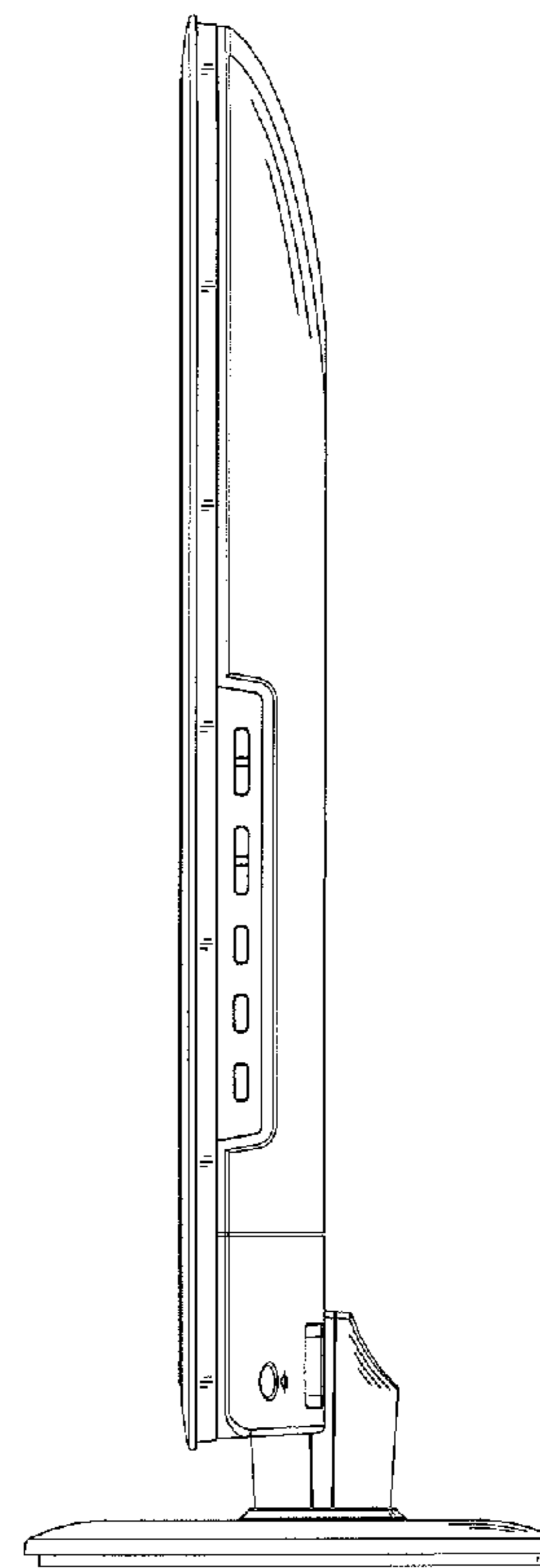
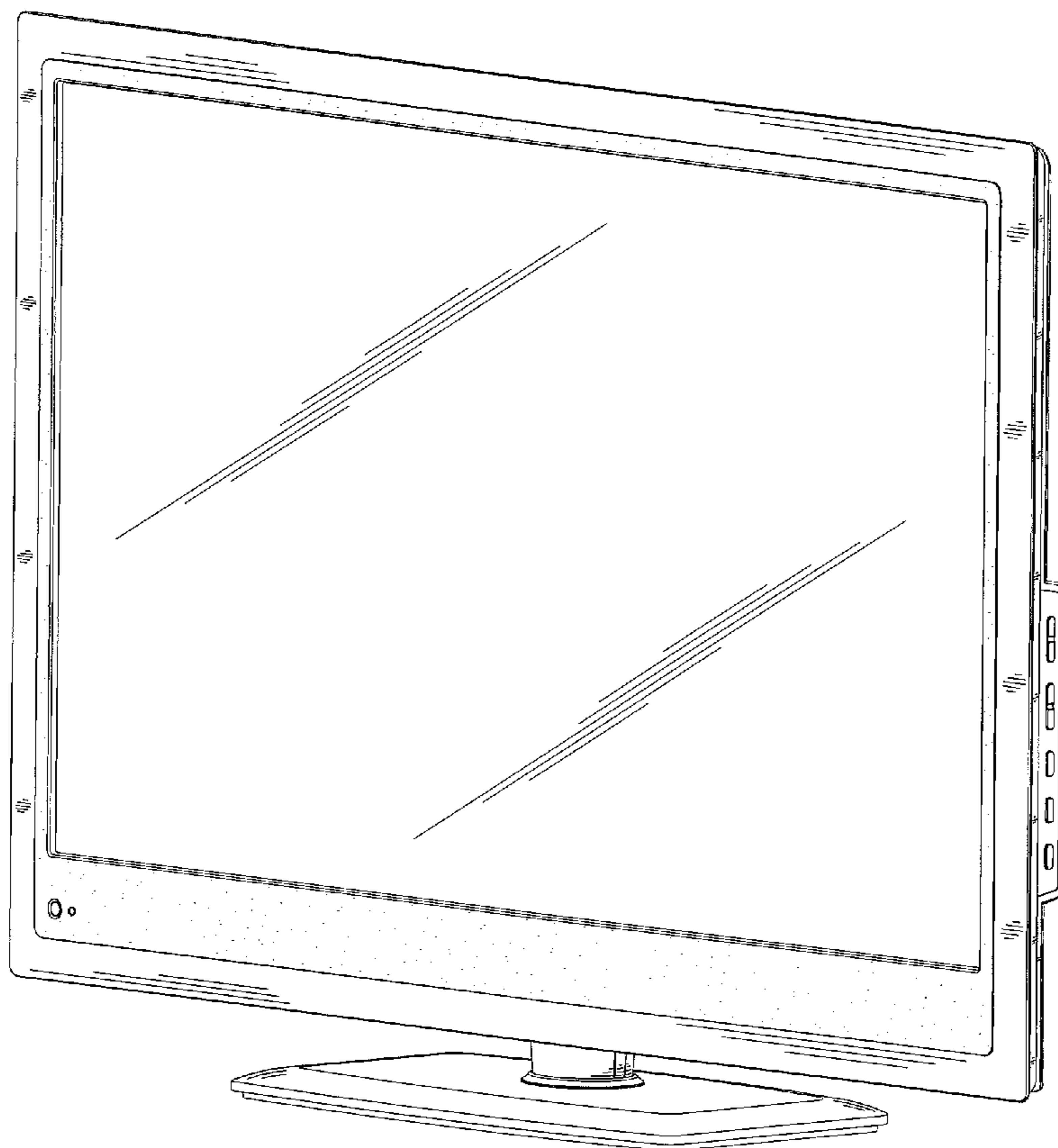
(58) **Field of Classification Search** D14/125-134, D14/239, 371, 136, 374-377, 440, 450, 448, D14/336, 342; 312/7.2; 348/836, 838, 180, 348/184, 325, 739; 341/12; 248/917-924, 248/465; 345/104, 133, 156, 168, 87, 173; 720/605, 669, 600, 655; 369/99, 197; 455/344, 455/347; D21/329, 515, 577, 622, 333, 433, D21/448, 452, 450, 331; D6/477, 479, 300; 273/148 B; 446/484, 175, 356; D10/15, D10/26

DESCRIPTION

FIG. 1 is a perspective view of a Liquid crystal display television showing my new design;
FIG. 2 is a front side elevational view thereof;
FIG. 3 is a rear side elevational view thereof;
FIG. 4 is a left elevational view thereof;
FIG. 5 is a right elevational view thereof;
FIG. 6 is a top plan view thereof; and,
FIG. 7 is a bottom plan view thereof.

See application file for complete search history.

1 Claim, 7 Drawing Sheets



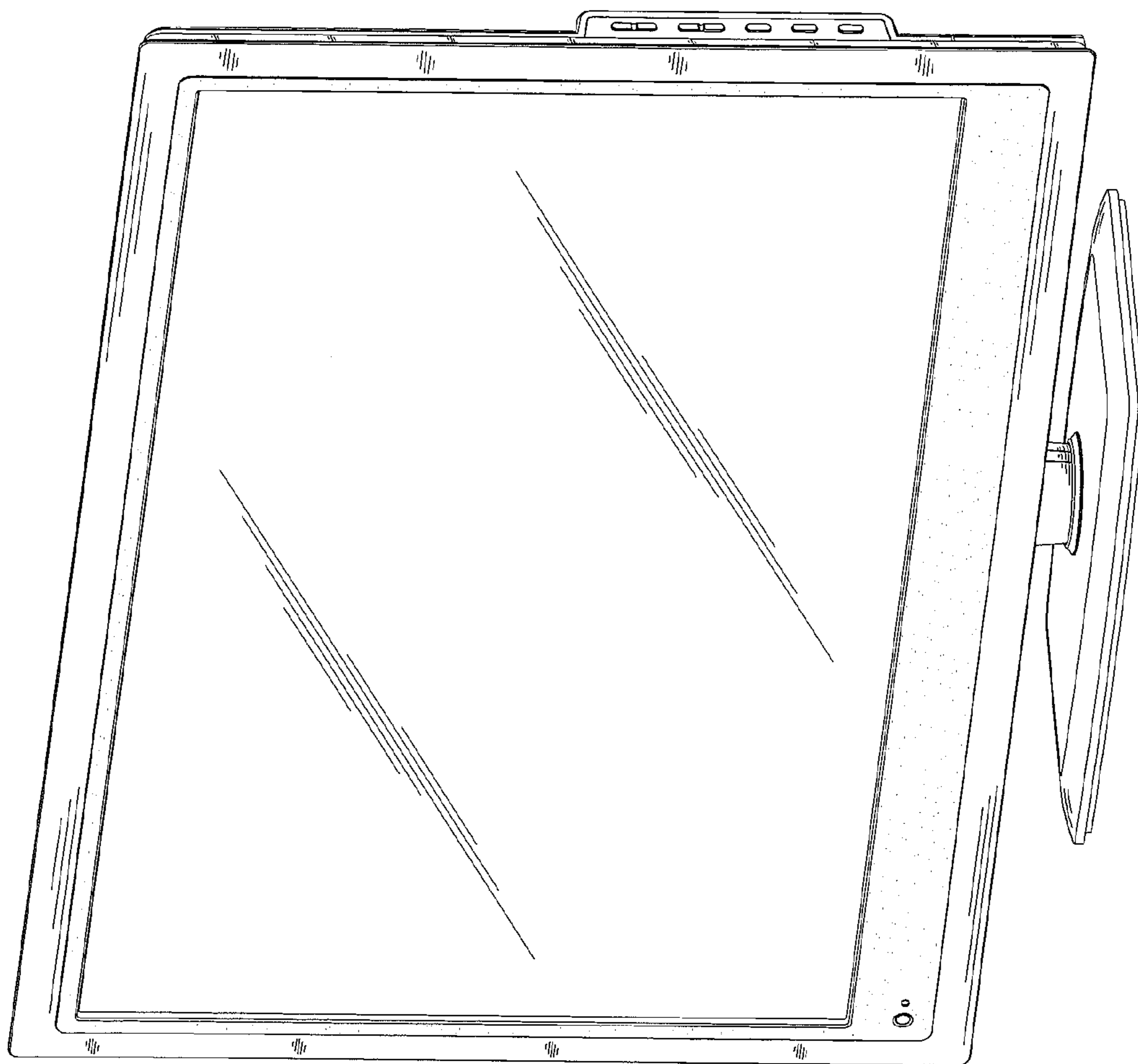


Fig. 1

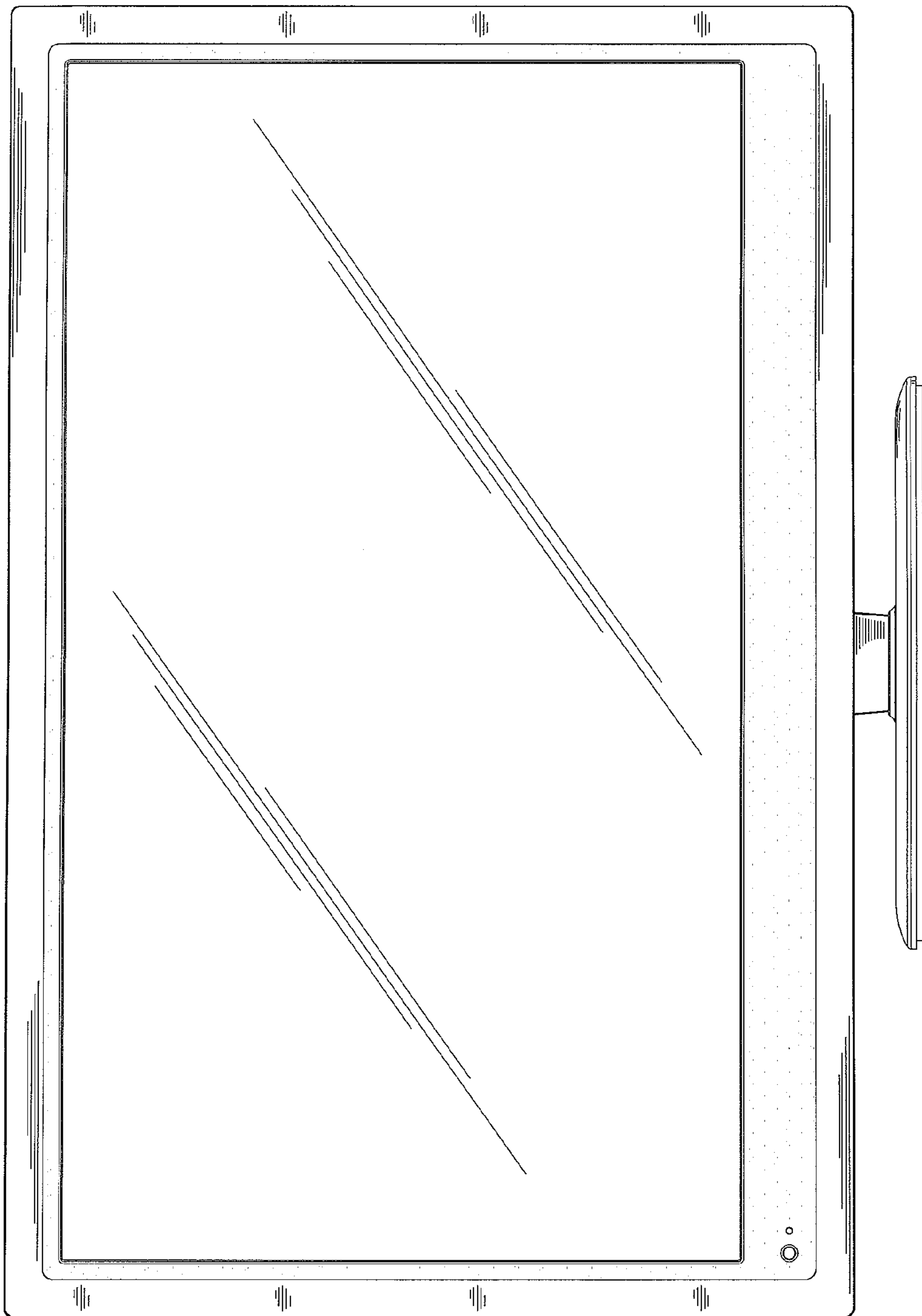


Fig. 2

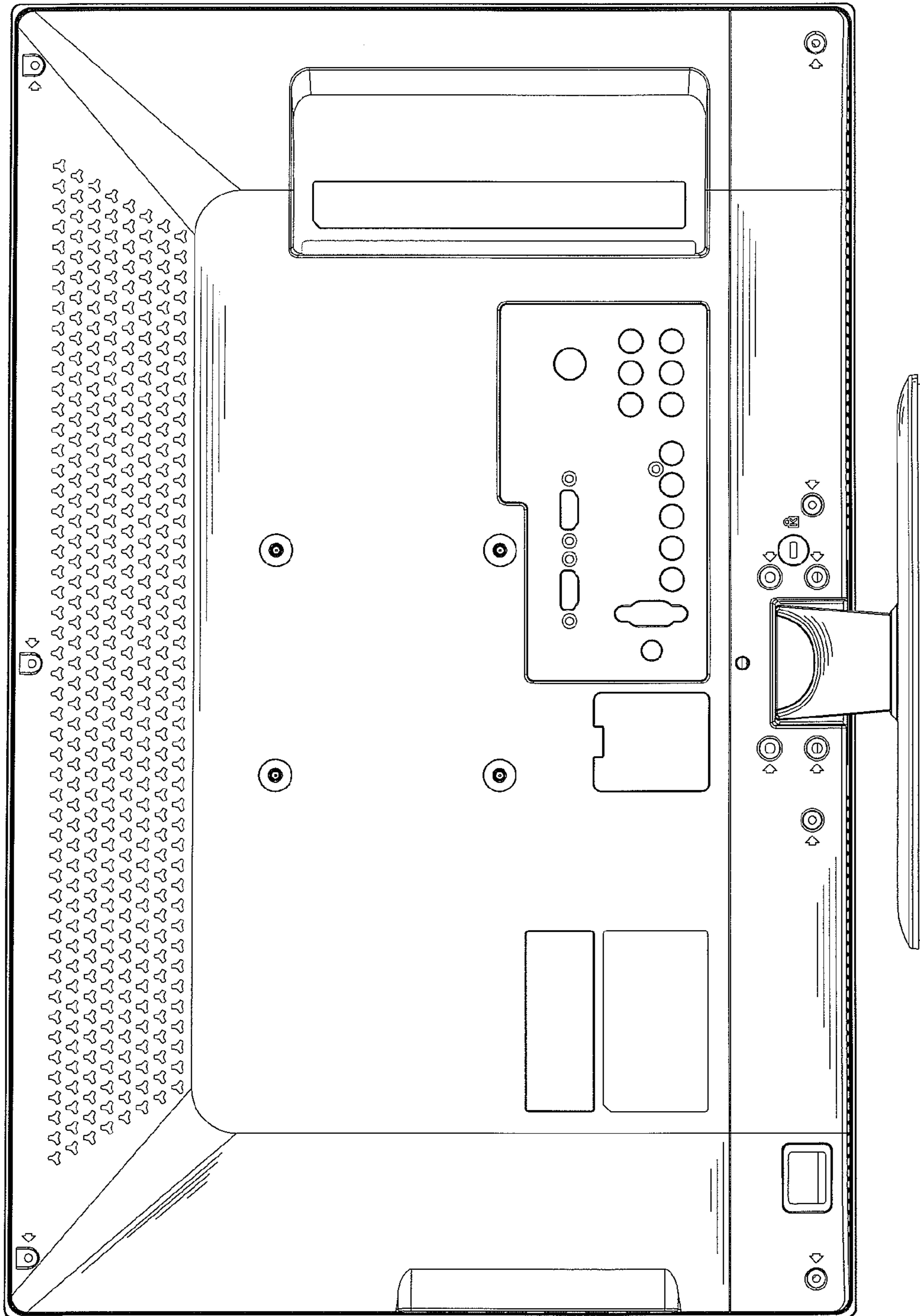


Fig. 3

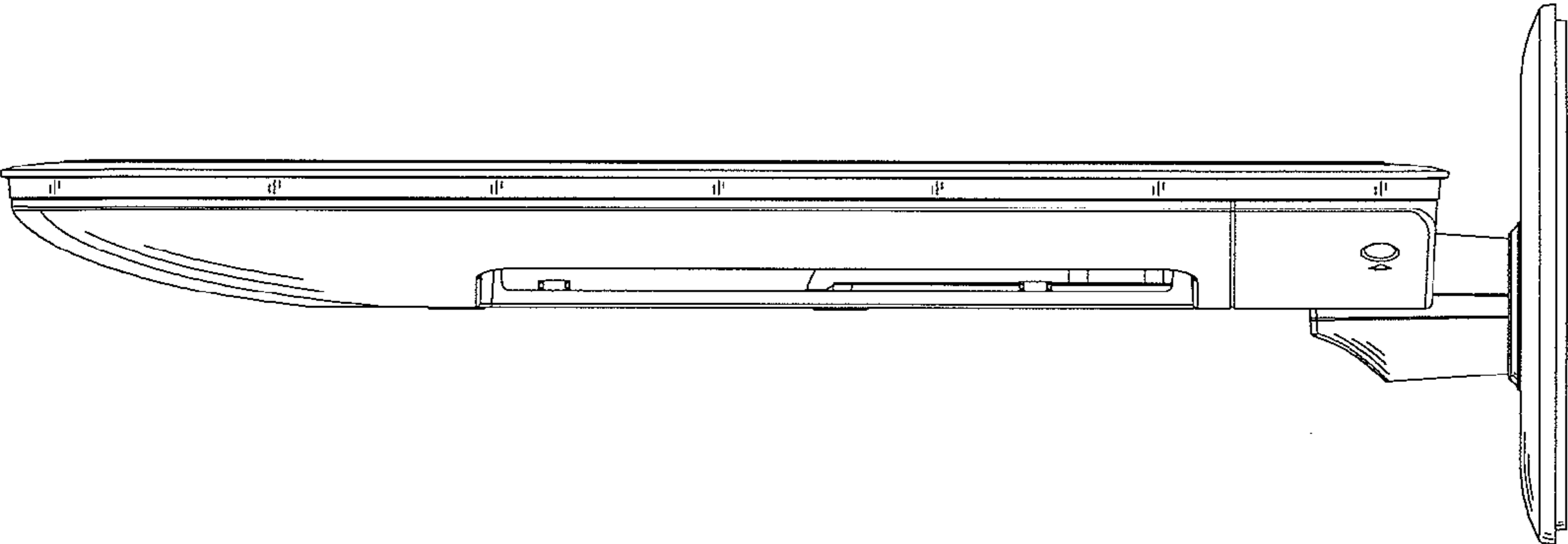


Fig. 4

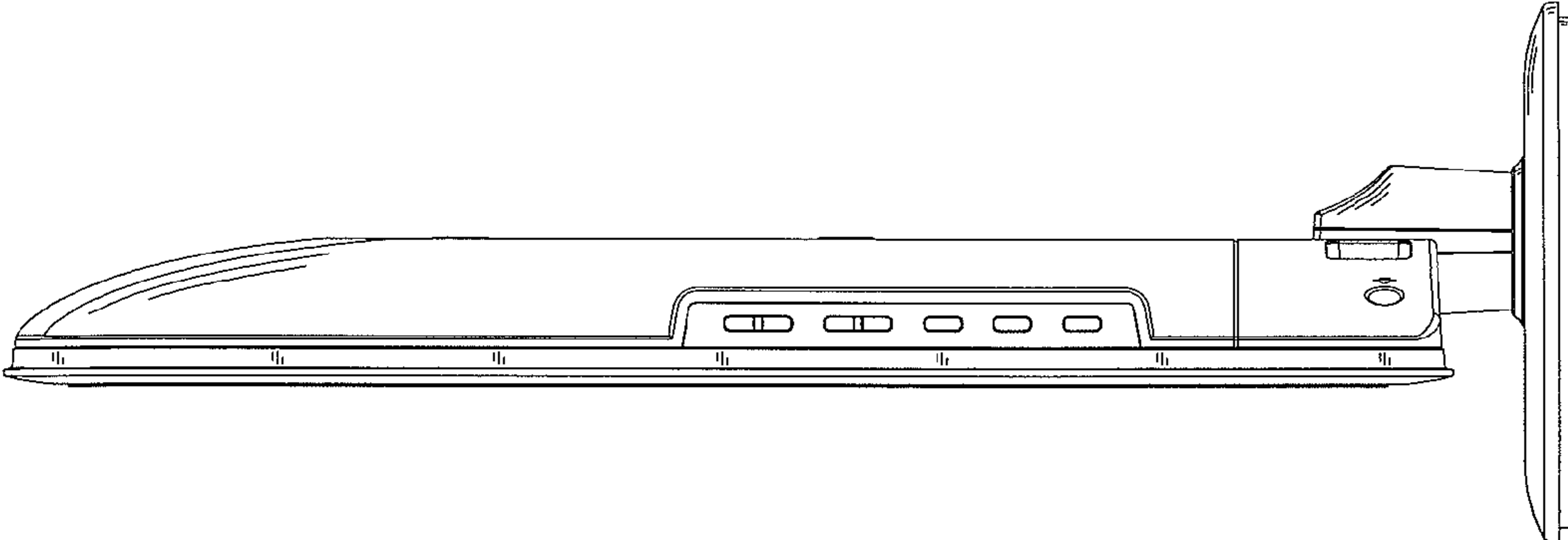


Fig. 5

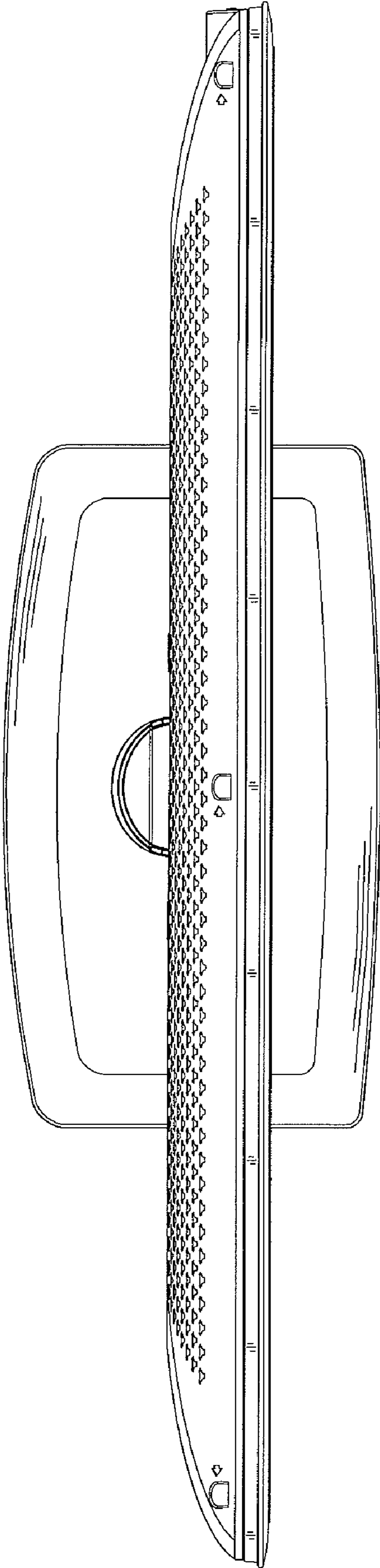


Fig. 6

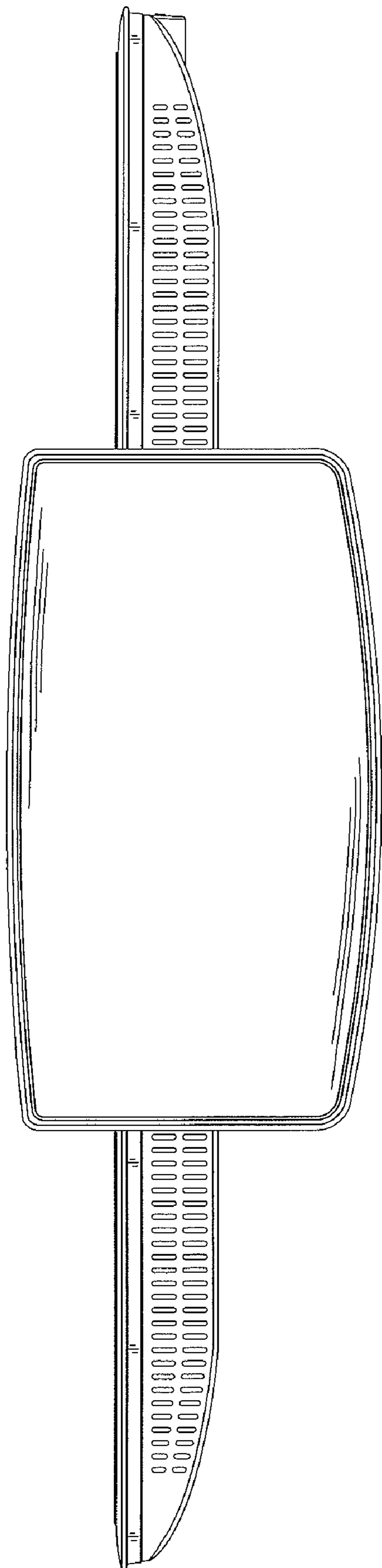


Fig. 7