



US00D640993S

(12) **United States Design Patent**  
**Lin**

(10) **Patent No.:** **US D640,993 S**  
(45) **Date of Patent:** **\*\* Jul. 5, 2011**

- (54) **LIGHT EMITTING DIODE**
- (75) Inventor: **Jung-Chiuan Lin**, Taipei County (TW)
- (73) Assignee: **Everlight Electronics Co., Ltd.**, Taipei (TW)
- (\*\*) Term: **14 Years**
- (21) Appl. No.: **29/363,938**
- (22) Filed: **Jun. 16, 2010**
- (30) **Foreign Application Priority Data**

KR	30-2006-0020234	5/2006
KR	30-2006-0020235	5/2006
KR	30-2006-0037166	9/2006
KR	30-2006-0048549	12/2006
KR	30-2007-0015988	4/2007
KR	30-2008-0016305	4/2008
KR	30-2008-0028416	7/2008
KR	30-0505425	9/2008
KR	30-0522097	2/2009
KR	30-0524936	3/2009
KR	30-0530344	6/2009
KR	30-0546938	11/2009
TW	D109667	3/2006
TW	D126857	1/2009
TW	D127501	2/2009
TW	D129202	6/2009
TW	D130320	8/2009

Dec. 17, 2009 (TW) ..... 98306058

- (51) **LOC (9) Cl.** ..... **13-03**
- (52) **U.S. Cl.** ..... **D13/180**
- (58) **Field of Classification Search** ..... D13/180;  
D26/2; 257/79, 80, 81, 88, 89, 95, 98, 99,  
257/100, E33.058; 313/483, 498, 500; 362/555,  
362/800  
See application file for complete search history.

\* cited by examiner

*Primary Examiner* — Selina Sikder  
(74) *Attorney, Agent, or Firm* — Muncy, Geissler, Olds & Lowe, PLLC

(57) **CLAIM**  
The ornamental design for light emitting diode, as shown and described.

(56) **References Cited**

**DESCRIPTION**

U.S. PATENT DOCUMENTS

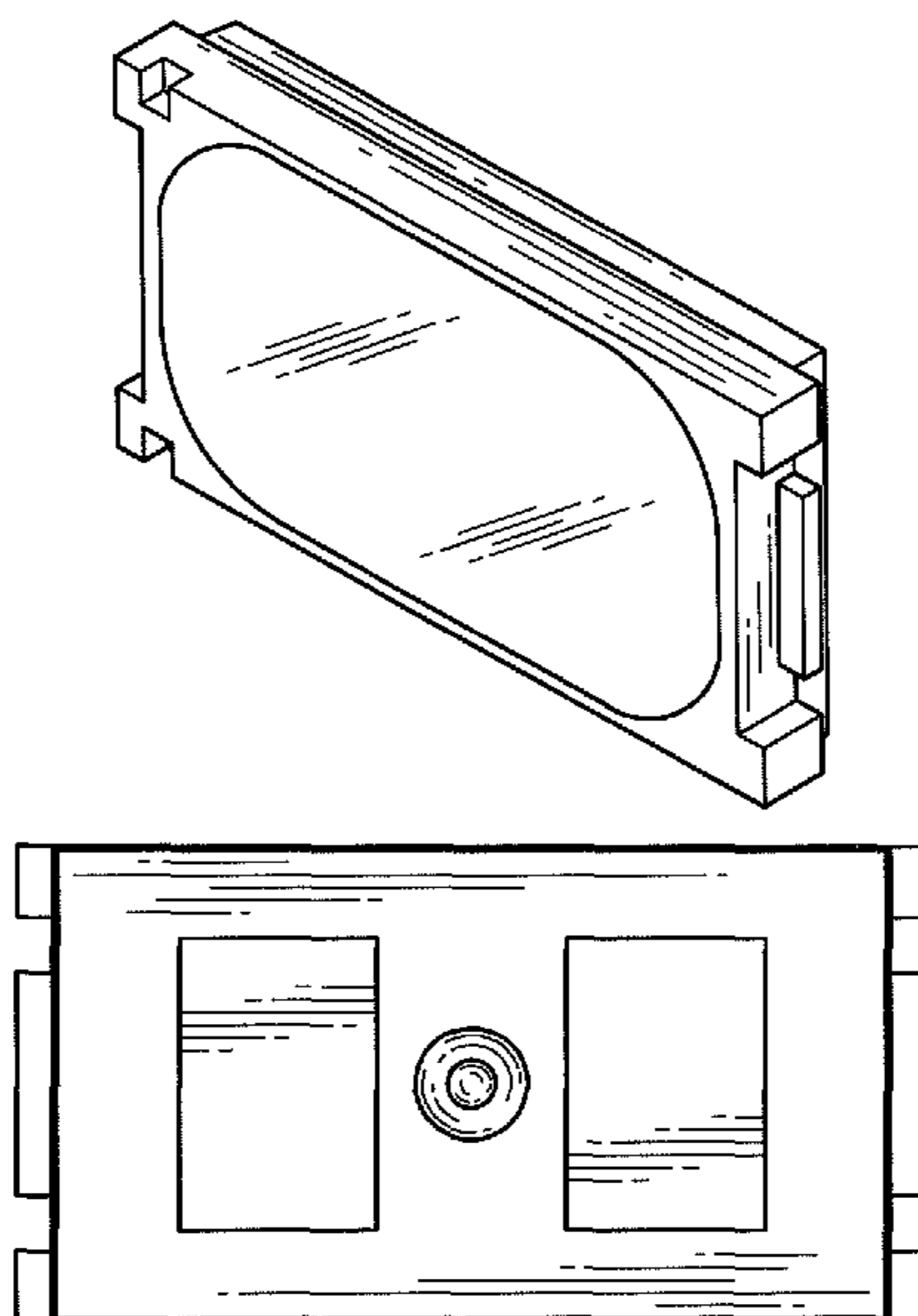
D495,304 S *	8/2004	Kim et al.	.....	D13/180
D578,969 S *	10/2008	Kobayakawa	.....	D13/180
D584,246 S *	1/2009	Low et al.	.....	D13/180
D595,244 S *	6/2009	In et al.	.....	D13/180
D595,245 S *	6/2009	Kim et al.	.....	D13/180
D595,675 S *	7/2009	Wang et al.	.....	D13/180
D596,591 S *	7/2009	In et al.	.....	D13/180
D597,971 S *	8/2009	Kobayakawa et al.	.....	D13/180
D599,750 S *	9/2009	Kim et al.	.....	D13/180
D608,309 S *	1/2010	Kim	.....	D13/180

FOREIGN PATENT DOCUMENTS

KR	30-2004-0039727	12/2004
KR	30-2006-0012564	4/2006
KR	30-2006-0016325	5/2006

FIG. 1 is a front perspective view thereof;  
FIG. 2 is a front view thereof;  
FIG. 3 is a rear view thereof;  
FIG. 4 is a left side view thereof;  
FIG. 5 is a right side view thereof;  
FIG. 6 is a top plan view thereof;  
FIG. 7 is a bottom plan view thereof;  
FIG. 8 is a front view thereof depicting environment; and,  
FIG. 9 is a cross-sectional view taken along line 9—9 in FIGS. 8.  
The broken lines shown in FIGS. 8 and 9 depicts environment and form no part of the claimed design.

**1 Claim, 5 Drawing Sheets**



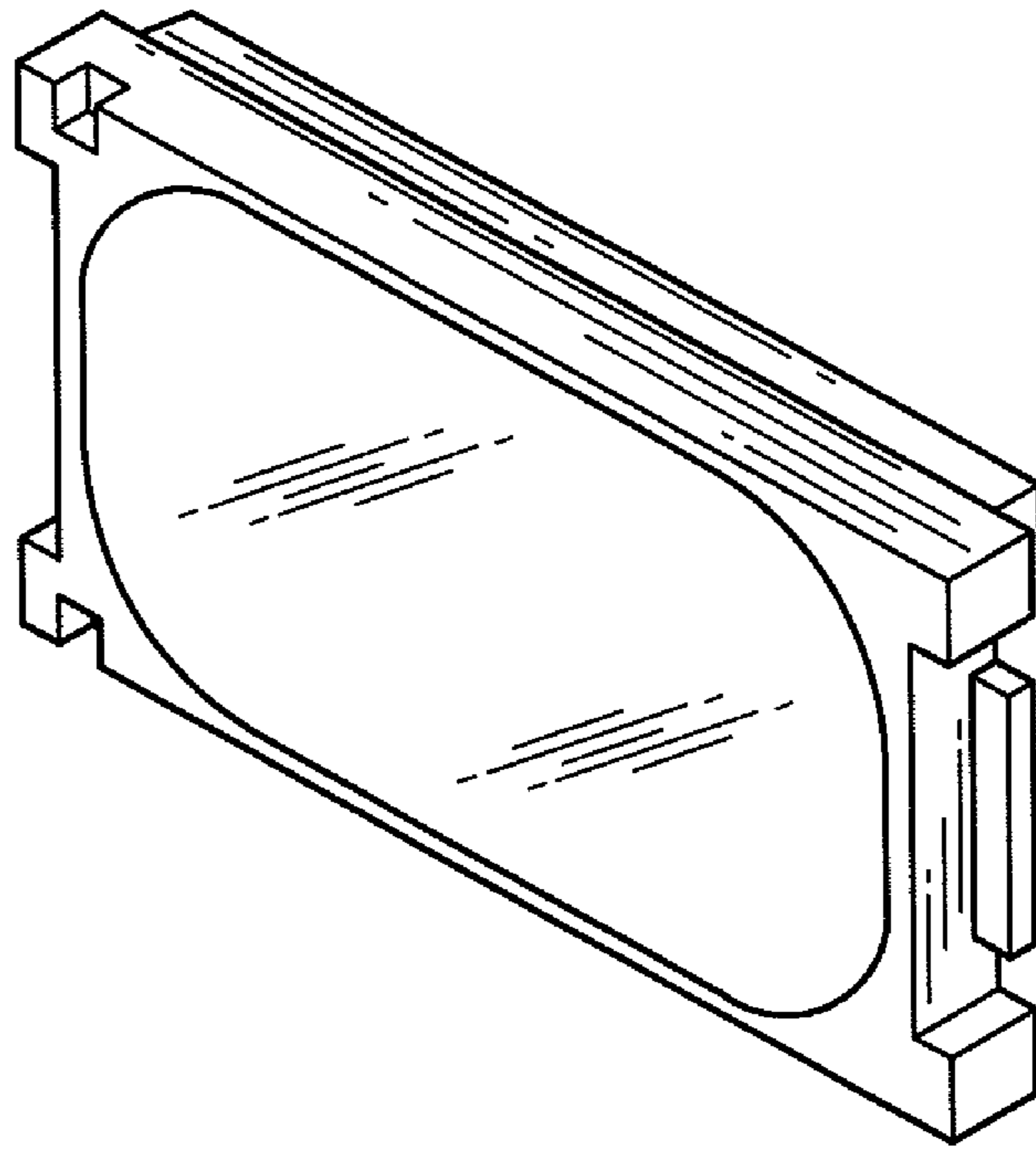


FIG. 1

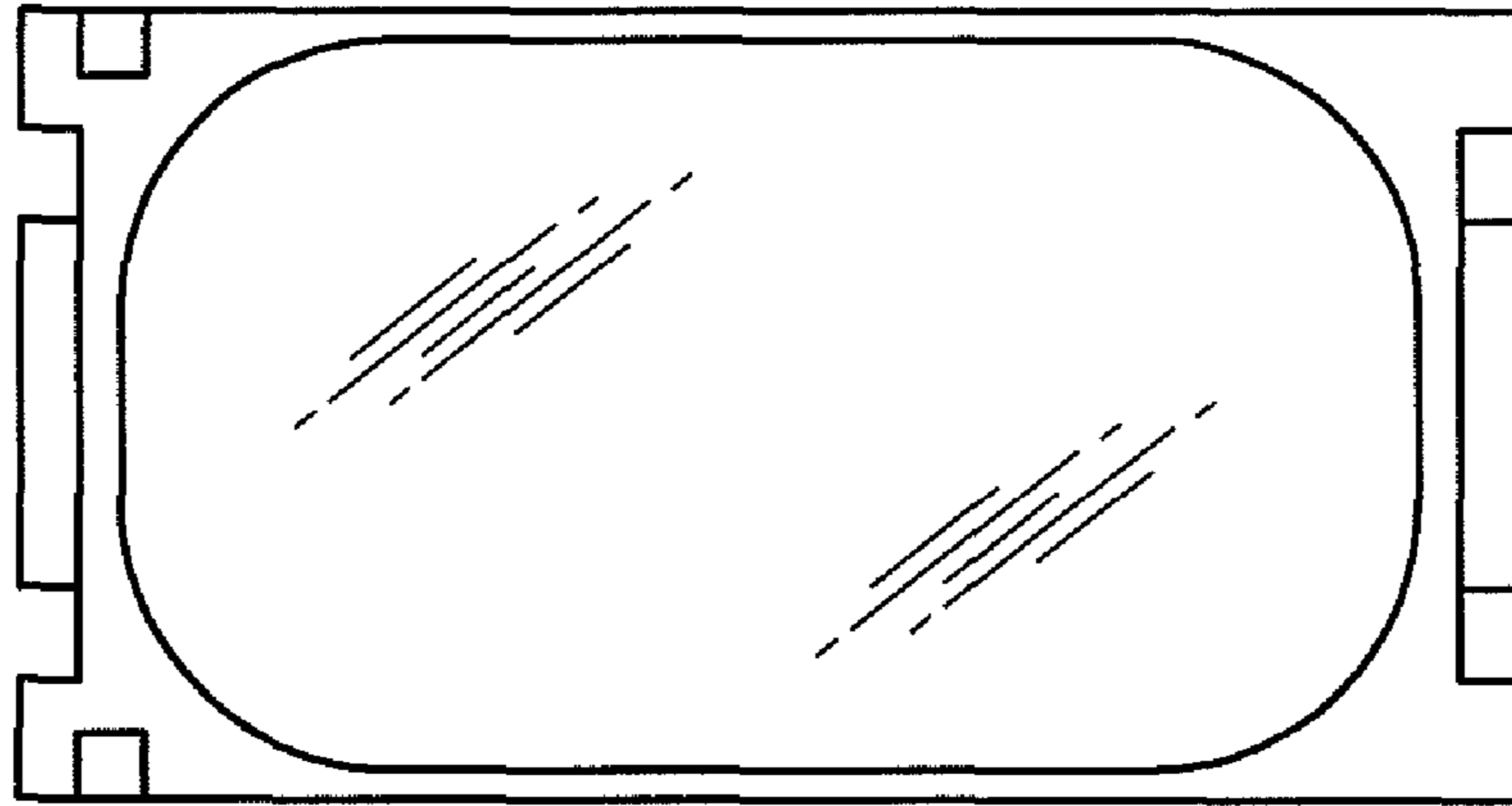


FIG. 2

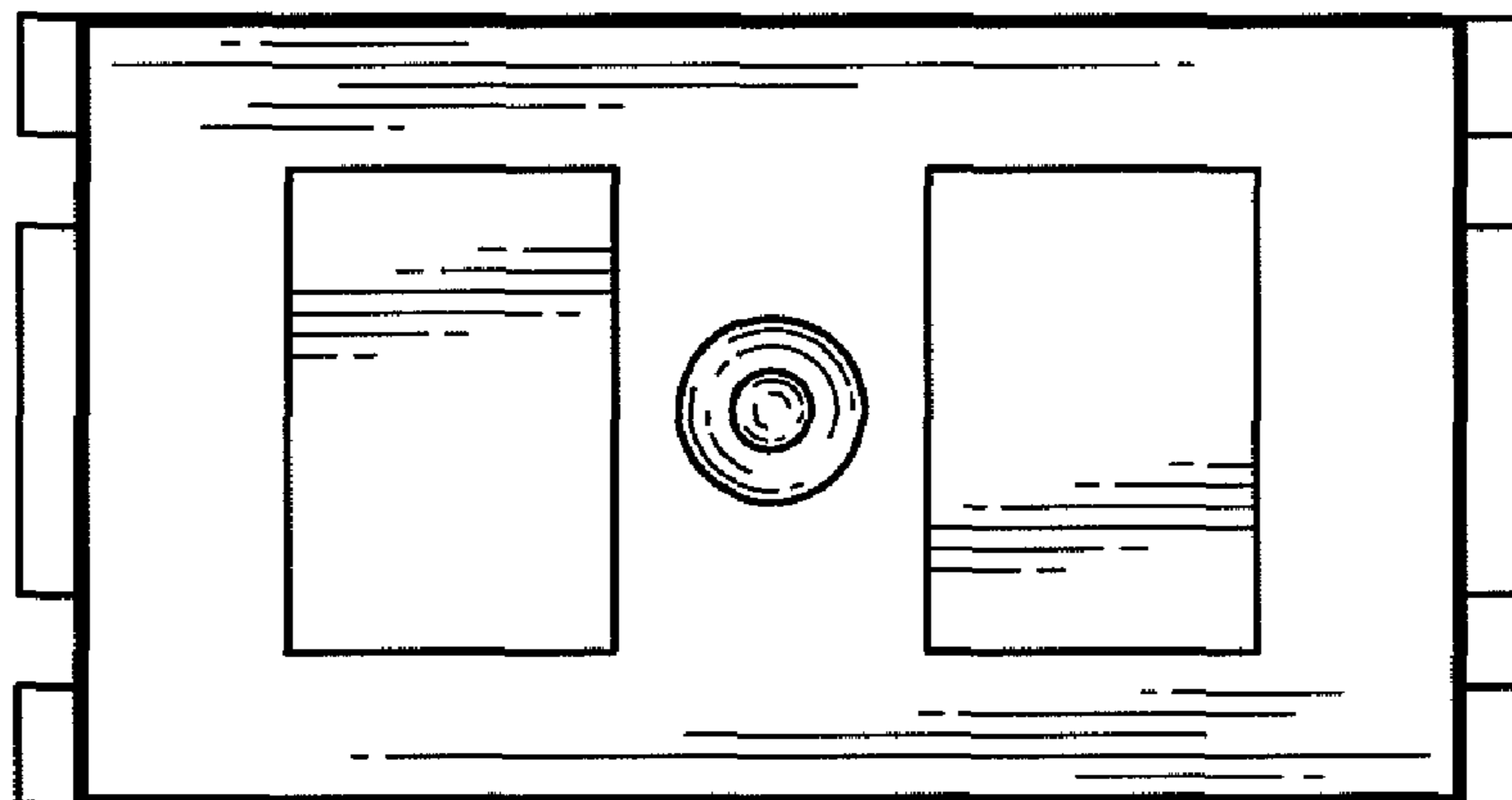


FIG. 3

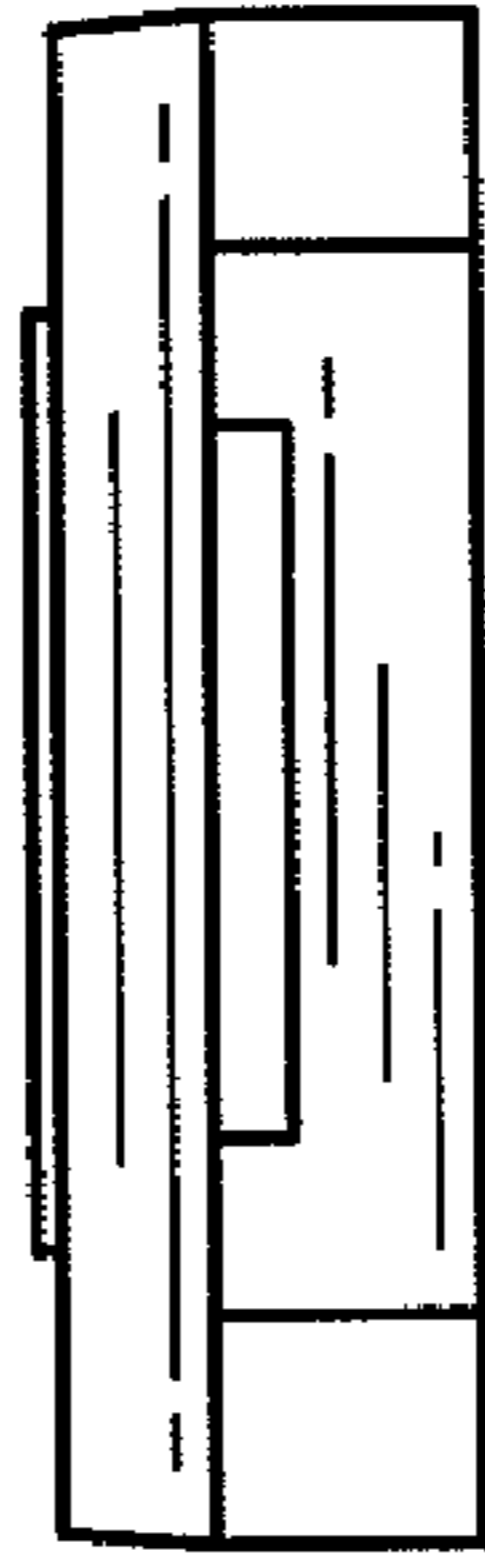


FIG. 4



FIG. 5

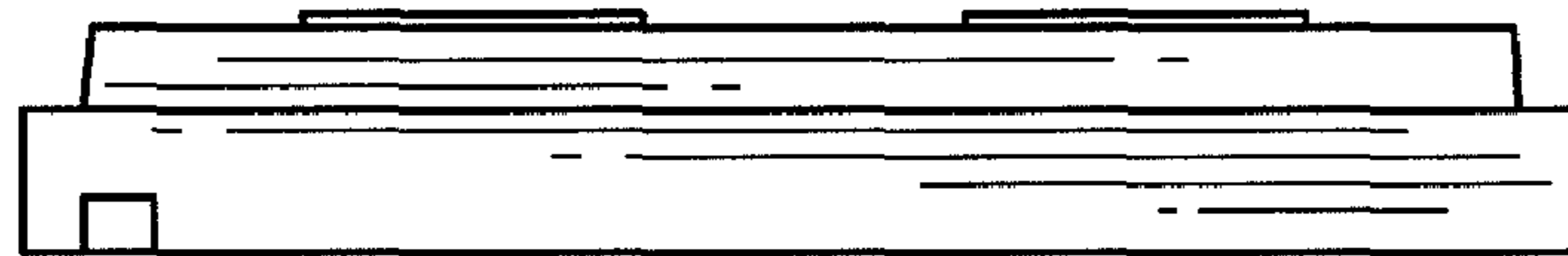


FIG. 6

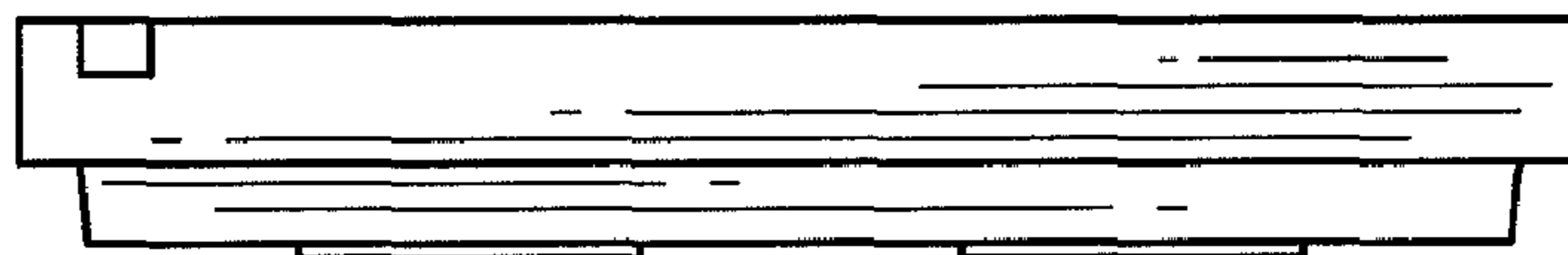


FIG. 7

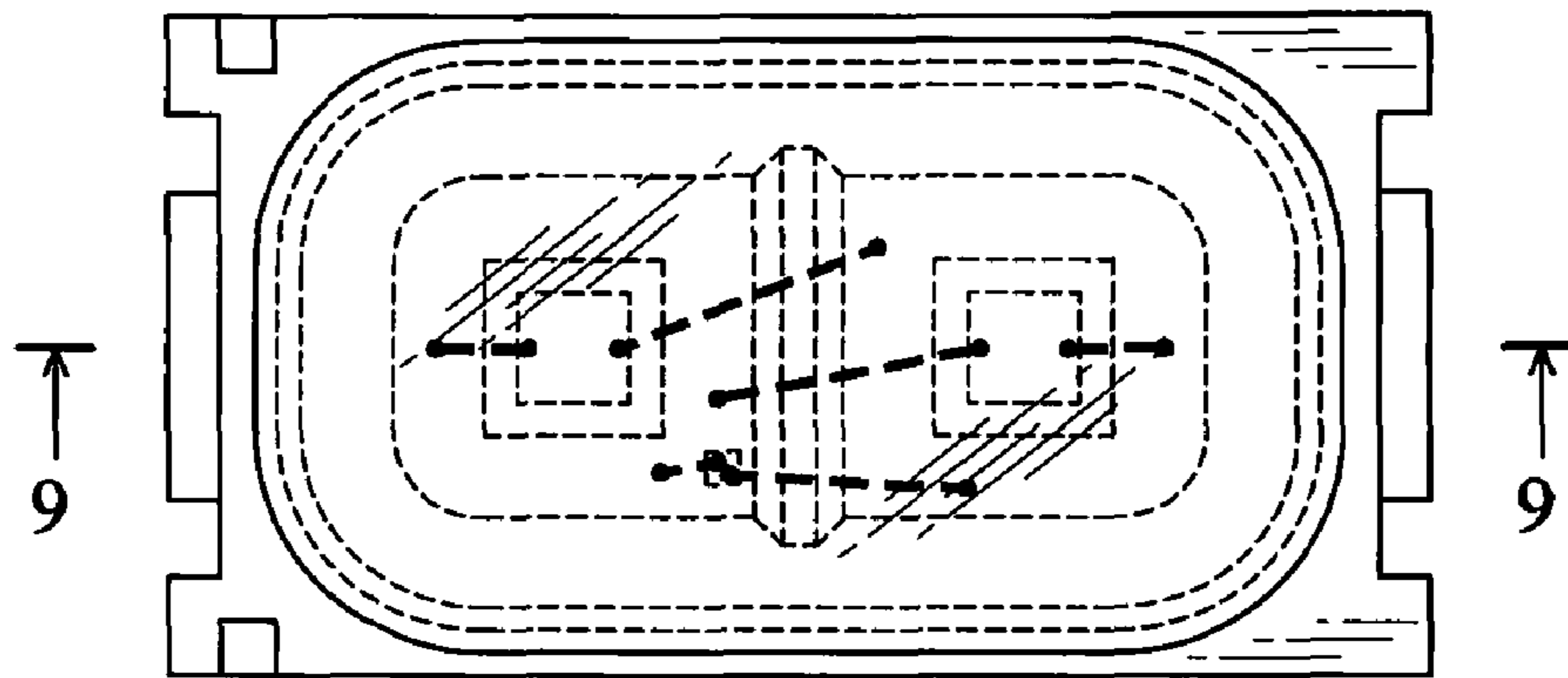


FIG. 8

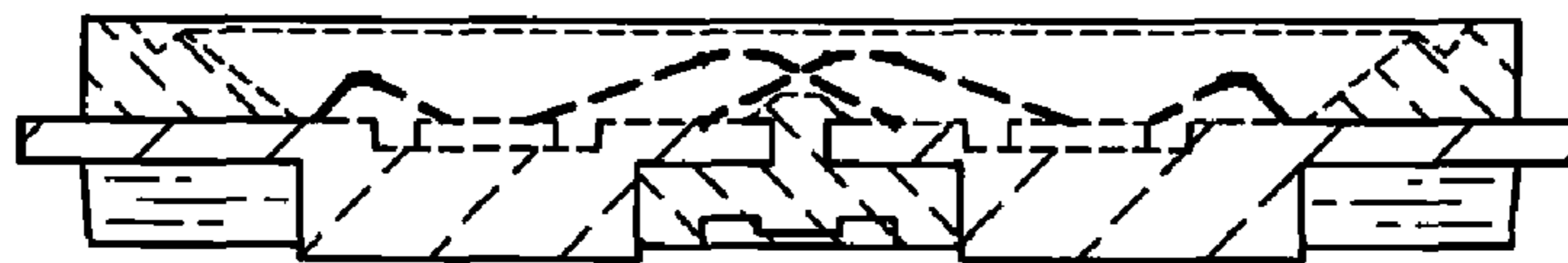


FIG. 9