



US00D640988S

(12) **United States Design Patent**
Detemple et al.

(10) **Patent No.:** **US D640,988 S**
(45) **Date of Patent:** **** Jul. 5, 2011**

(54) **ELECTRICAL CONTACTOR FOR LOW VOLTAGE SWITCHING DEVICES**

(75) Inventors: **Thomas Detemple**, Planegg (DE); **Peter Trautwein**, Munich (DE)

(73) Assignee: **Siemens Aktiengesellschaft**, Munich (DE)

(**) Term: **14 Years**

(21) Appl. No.: **29/358,847**

(22) Filed: **Apr. 1, 2010**

(30) **Foreign Application Priority Data**

Oct. 2, 2009 (EM) 001168561

(51) **LOC (9) Cl.** **13-03**

(52) **U.S. Cl.** **D13/159**

(58) **Field of Classification Search** D13/158,
D13/159, 160, 162, 184, 199; 200/43.14,
200/50.01, 50.21-50.23; 361/42, 44, 50,
361/71, 115, 608, 634

See application file for complete search history.

(56) **References Cited**

U.S. PATENT DOCUMENTS

D321,169 S * 10/1991 Bouteiller D13/159

D325,566 S * 4/1992 Bouteiller D13/159
D326,844 S * 6/1992 Bouteiller D13/159
D373,112 S * 8/1996 Kim D13/159
6,034,584 A * 3/2000 Hilfiker 335/132
2002/0192990 A1 * 12/2002 Alexandre 439/135

* cited by examiner

Primary Examiner — Thomas J Johannes

(74) *Attorney, Agent, or Firm* — Harness, Dickey & Pierce, P.L.C.

(57) **CLAIM**

The ornamental design for an electrical contactor for low voltage switching devices, as shown and described.

DESCRIPTION

FIG. 1 is a front elevation view of an electrical contactor for low voltage switching devices showing our new design; FIG. 2 is a rear elevation view thereof; FIG. 3 is a top plan view thereof; FIG. 4 is a bottom plan view thereof; FIG. 5 is a left side elevation view thereof; FIG. 6 is a right side elevation view thereof; and, FIG. 7 is a perspective view thereof.

The broken line portion of the figure drawings is included to show unclaimed subject matter only and forms no part of the claimed design.

1 Claim, 7 Drawing Sheets

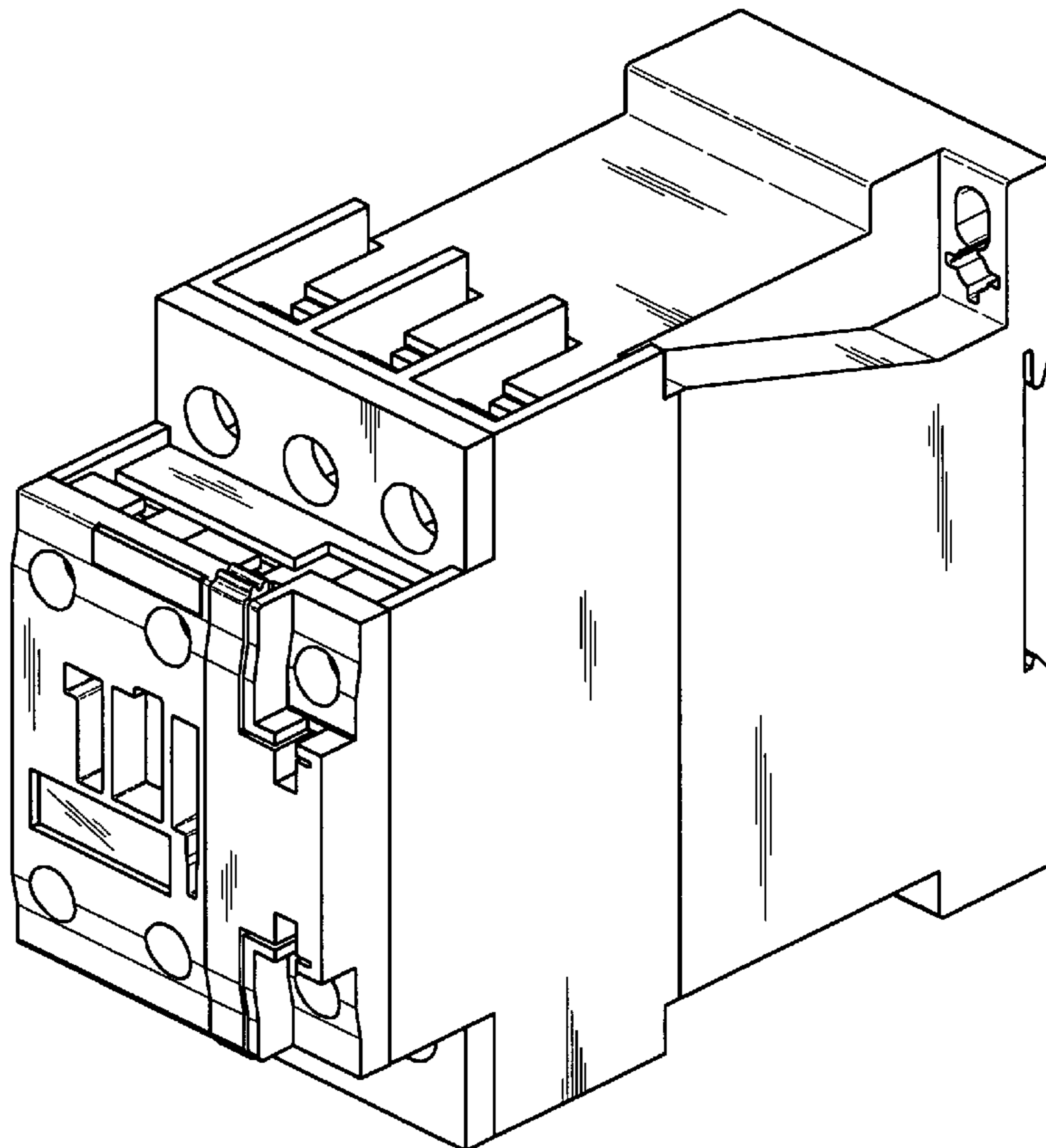


FIG 1

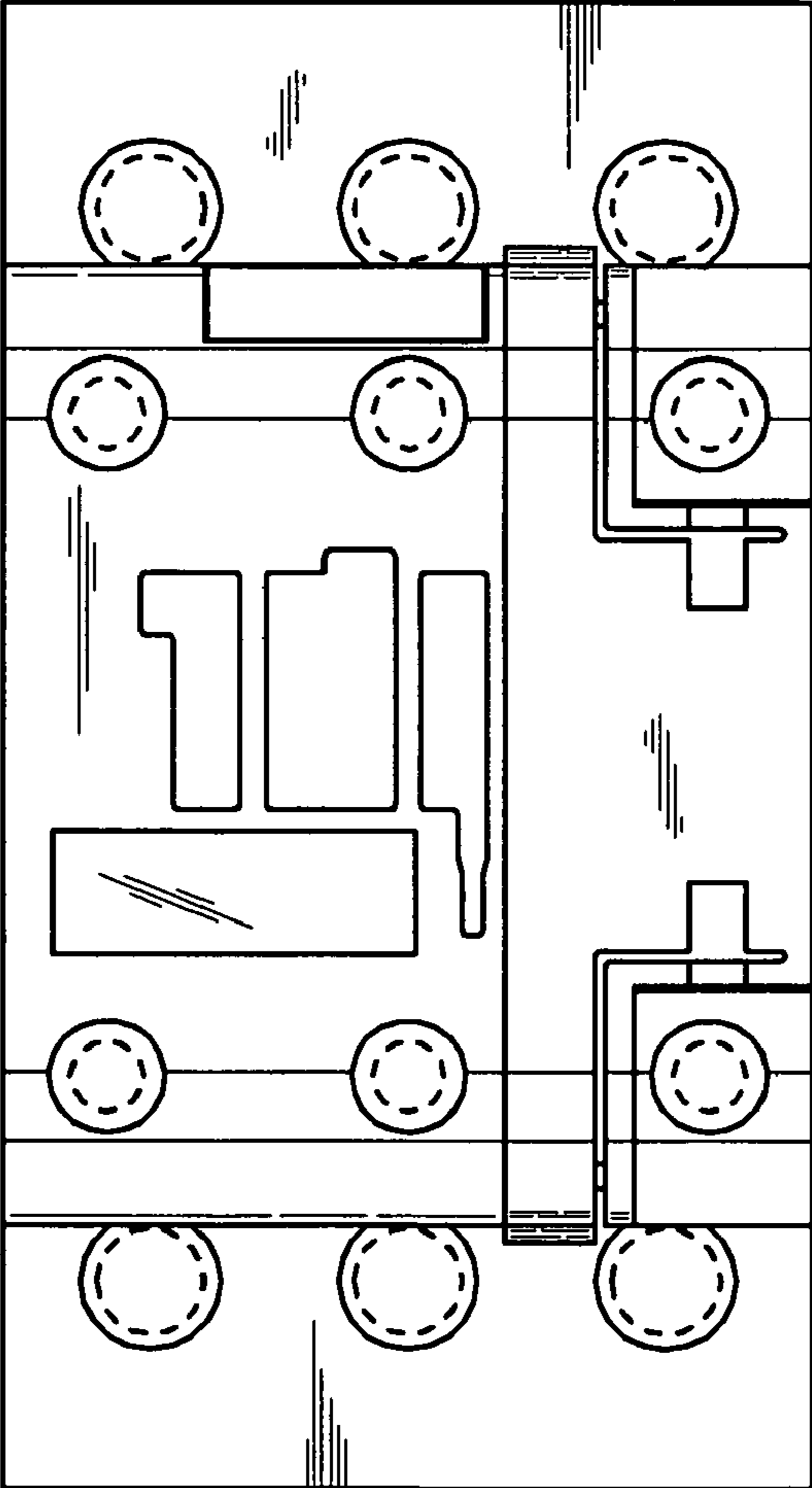


FIG 2

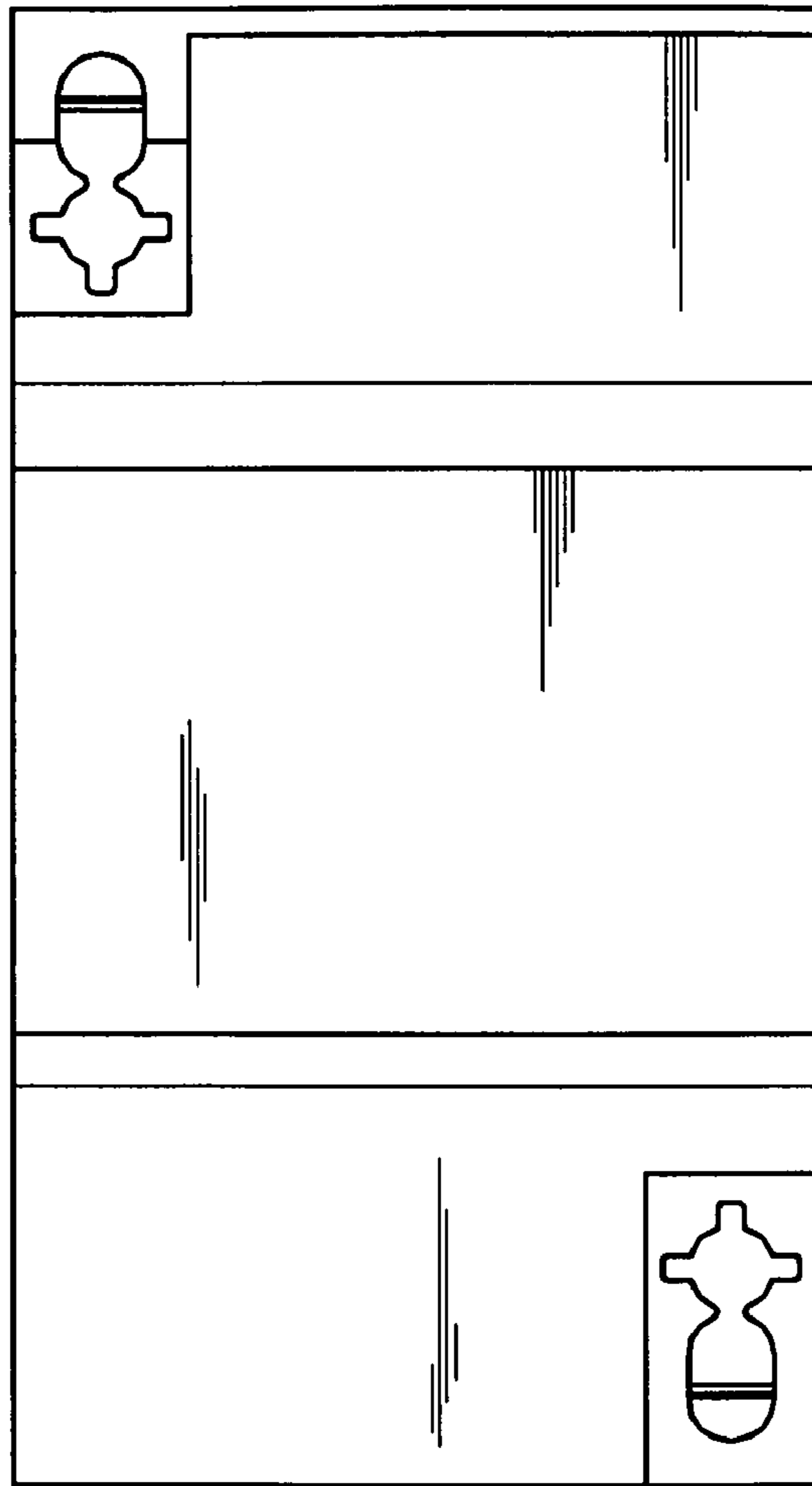


FIG 3

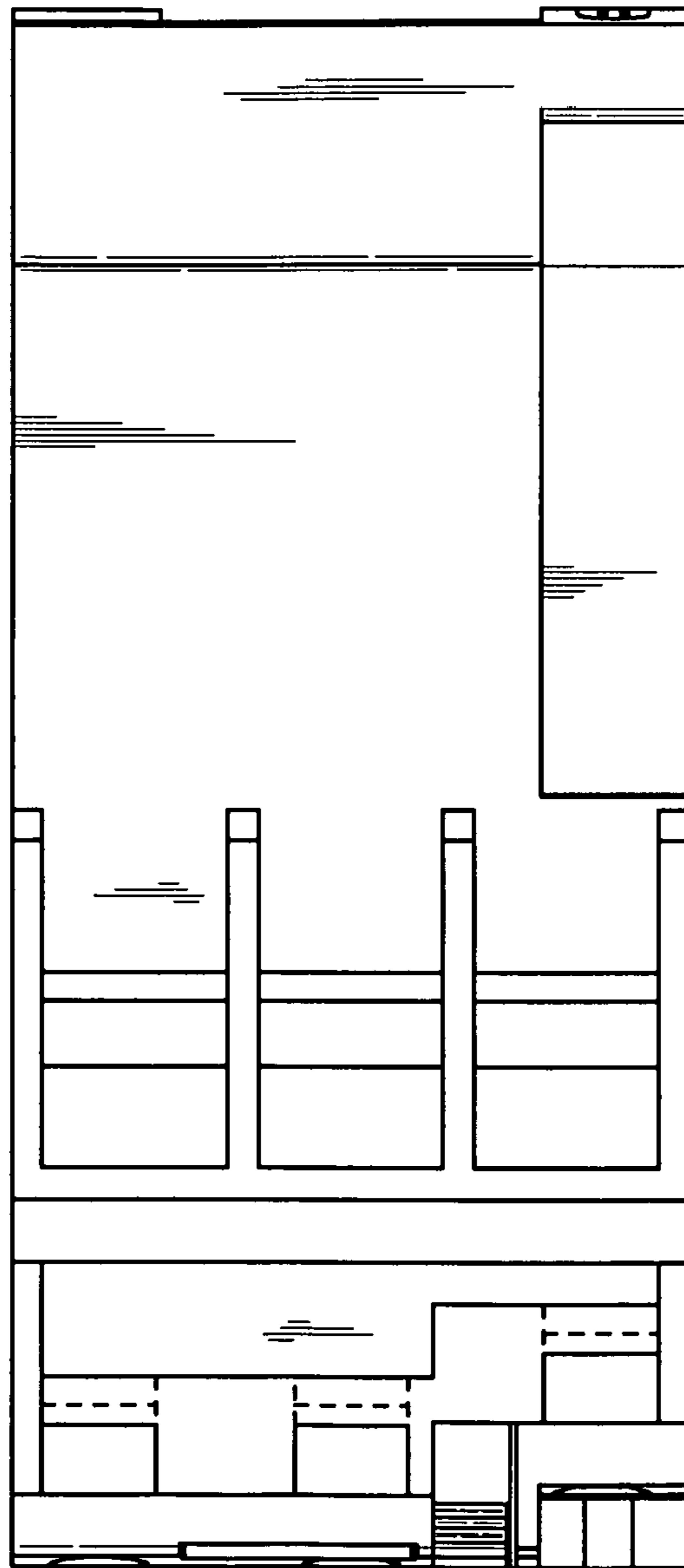


FIG 4

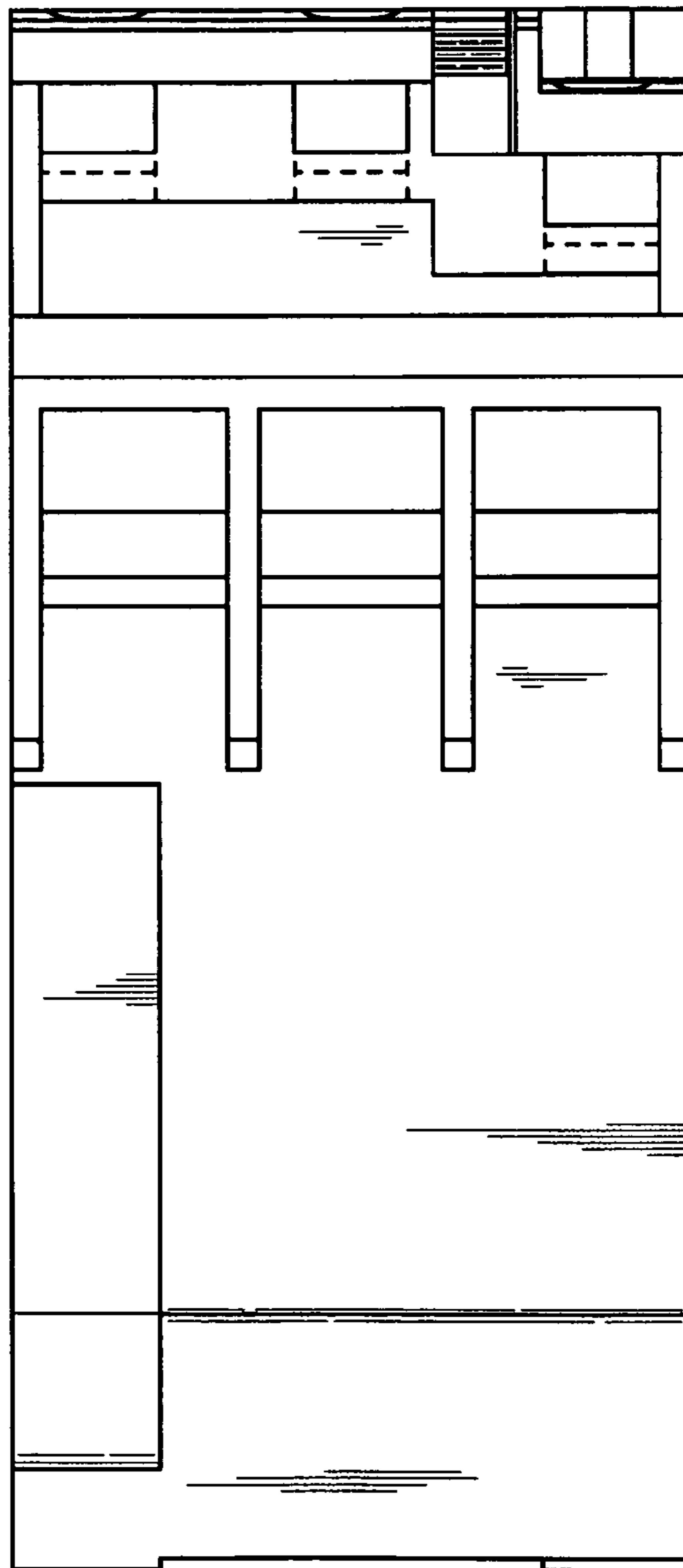


FIG 5

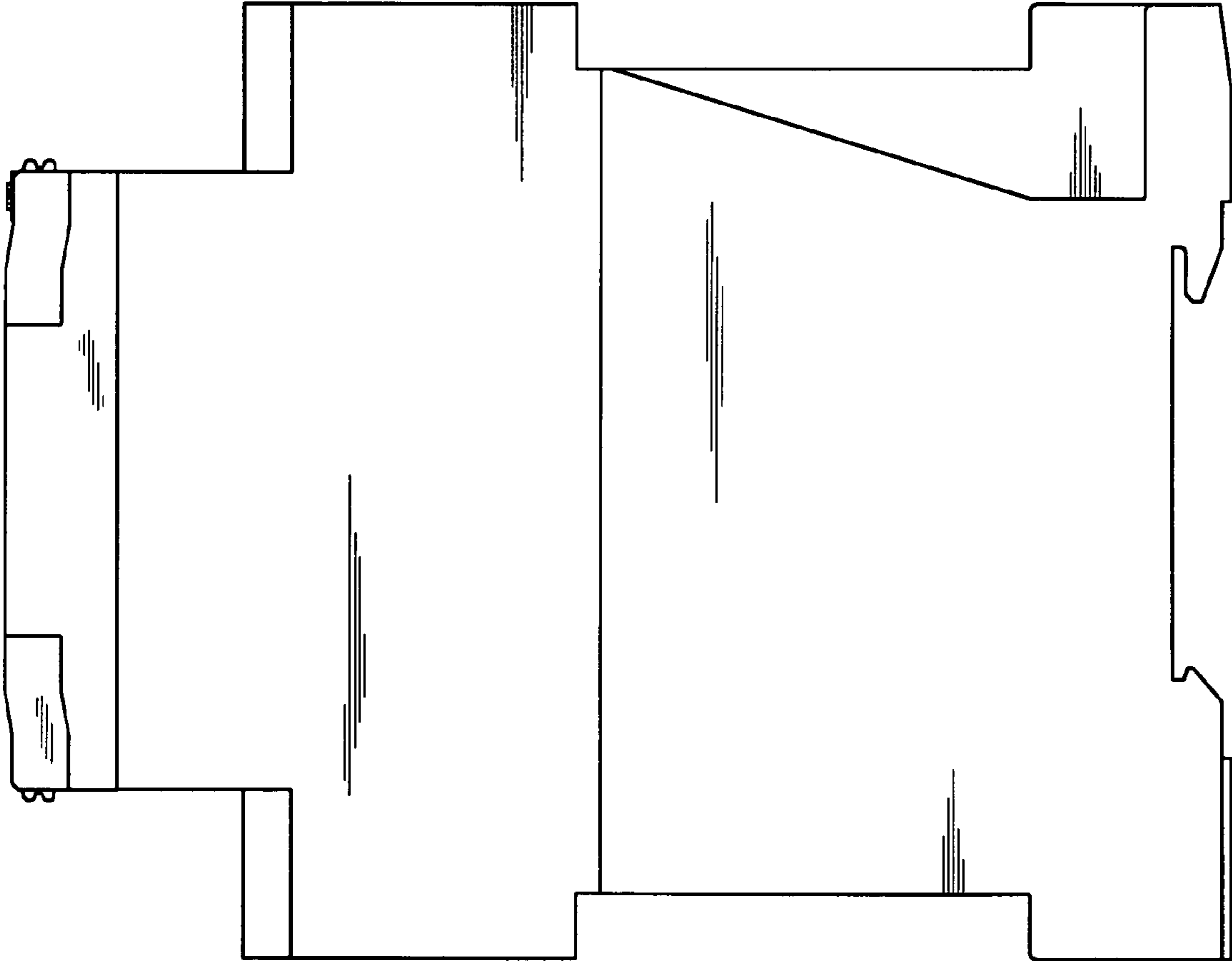


FIG 6



FIG 7

