



US00D640987S

(12) **United States Design Patent**
Grubaugh

(10) **Patent No.:** **US D640,987 S**

(45) **Date of Patent:** **** Jul. 5, 2011**

(54) **ELECTRICAL CORD CONNECTOR APPARATUS**

(76) Inventor: **Glen R. Grubaugh**, Indianapolis, IN (US)

(**) Term: **14 Years**

(21) Appl. No.: **29/331,663**

(22) Filed: **Jan. 29, 2009**

(51) **LOC (9) Cl.** **13-03**

(52) **U.S. Cl.** **D13/155**

(58) **Field of Classification Search** D13/133, D13/154-156, 184, 199; D8/349, 354, 382, D8/394-396; 385/134-136; 174/68.1, 66, 174/68.3, 72 R, 72 A, 72 C, 74 R, 82, 74 A, 174/79, 88 R, 92-93, 96-97, 100, 101, 99 R; 439/345, 367-373, 456-460

See application file for complete search history.

(56) **References Cited**

U.S. PATENT DOCUMENTS

4,643,505 A	2/1987	House et al.	
D296,076 S *	6/1988	Neuenschwander	D8/395
D296,779 S	7/1988	Watson	
D305,297 S *	1/1990	O'Neill	D9/434
D322,389 S *	12/1991	Harmon	D8/380
5,306,176 A	4/1994	Coffey	
D383,971 S *	9/1997	Garfinkle	D8/395

D390,453 S *	2/1998	Hamerski et al.	D8/396
5,772,462 A	6/1998	Osten	
5,913,692 A	6/1999	Targett	
D480,970 S *	10/2003	Owens	D9/456
D539,228 S *	3/2007	Toikka et al.	D13/155
7,285,725 B1	10/2007	Saman	
D606,849 S *	12/2009	Jimenez	D8/395
2008/0251291 A1 *	10/2008	Kadrnoska et al.	174/72 R

* cited by examiner

Primary Examiner — Rosemary K Tarcza

(57) **CLAIM**

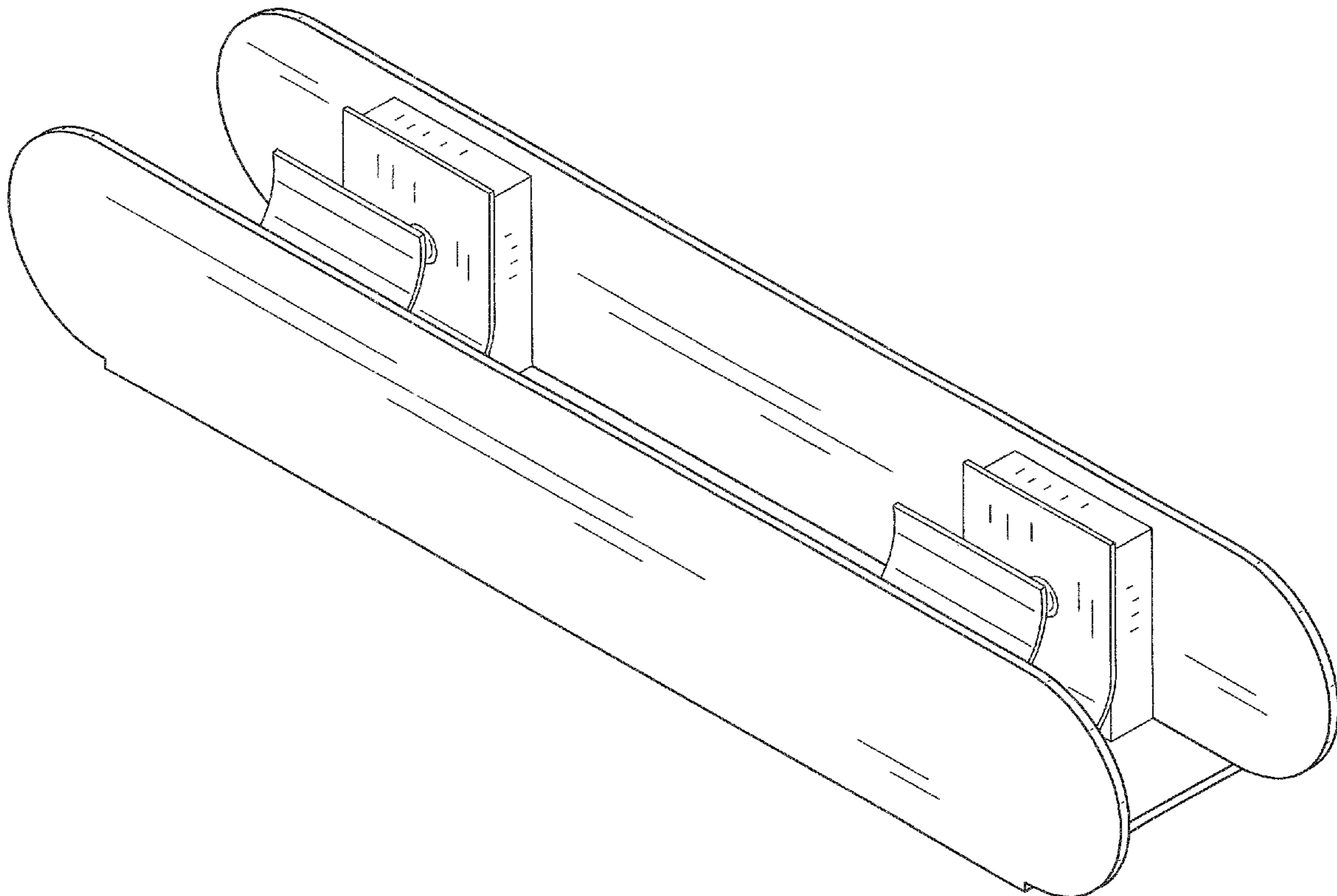
The ornamental design for an electrical cord connector apparatus, as shown.

DESCRIPTION

FIG. 1 is a perspective view of an electrical cord connector apparatus;
FIG. 2 is a front view thereof;
FIG. 3 is a back view thereof;
FIG. 4 is a side view thereof (opposite side is mirror image);
FIG. 5 is a top view thereof; and,
FIG. 6 is a bottom view thereof.

The broken lines shown in the drawings are included for the purpose of illustrating environmental structure and form no part of the claimed design.

1 Claim, 5 Drawing Sheets



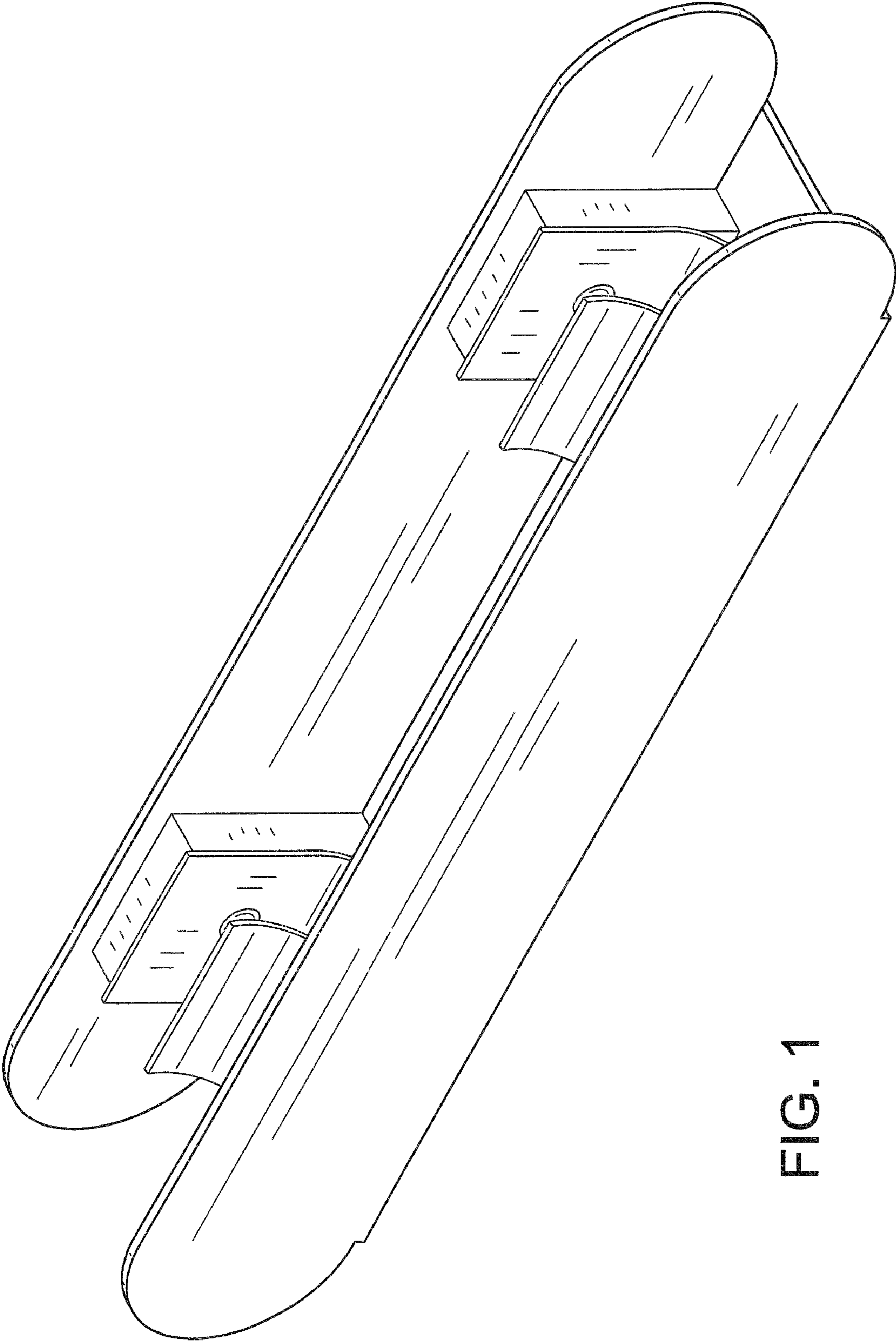


FIG. 1

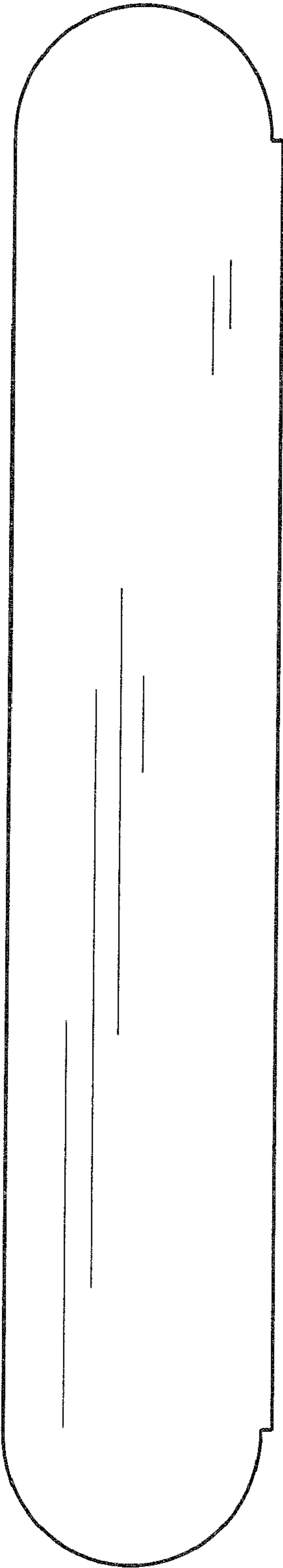


FIG. 2

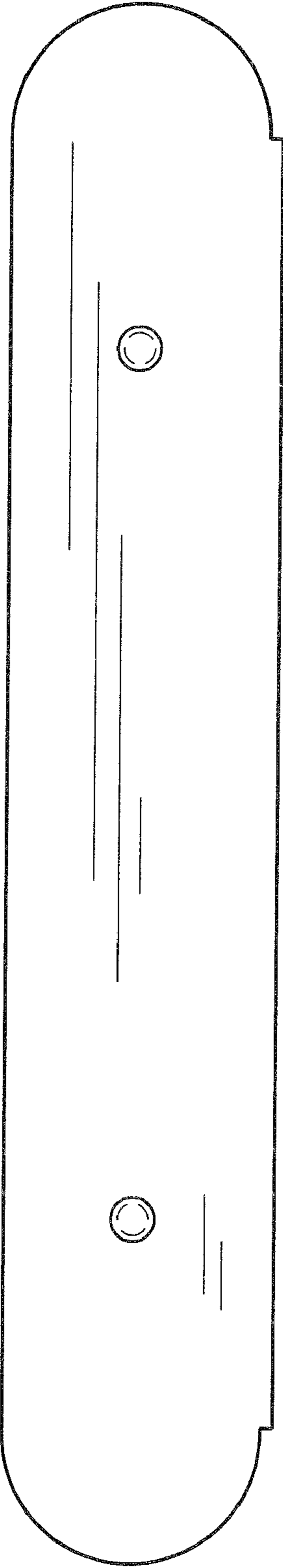


FIG. 3

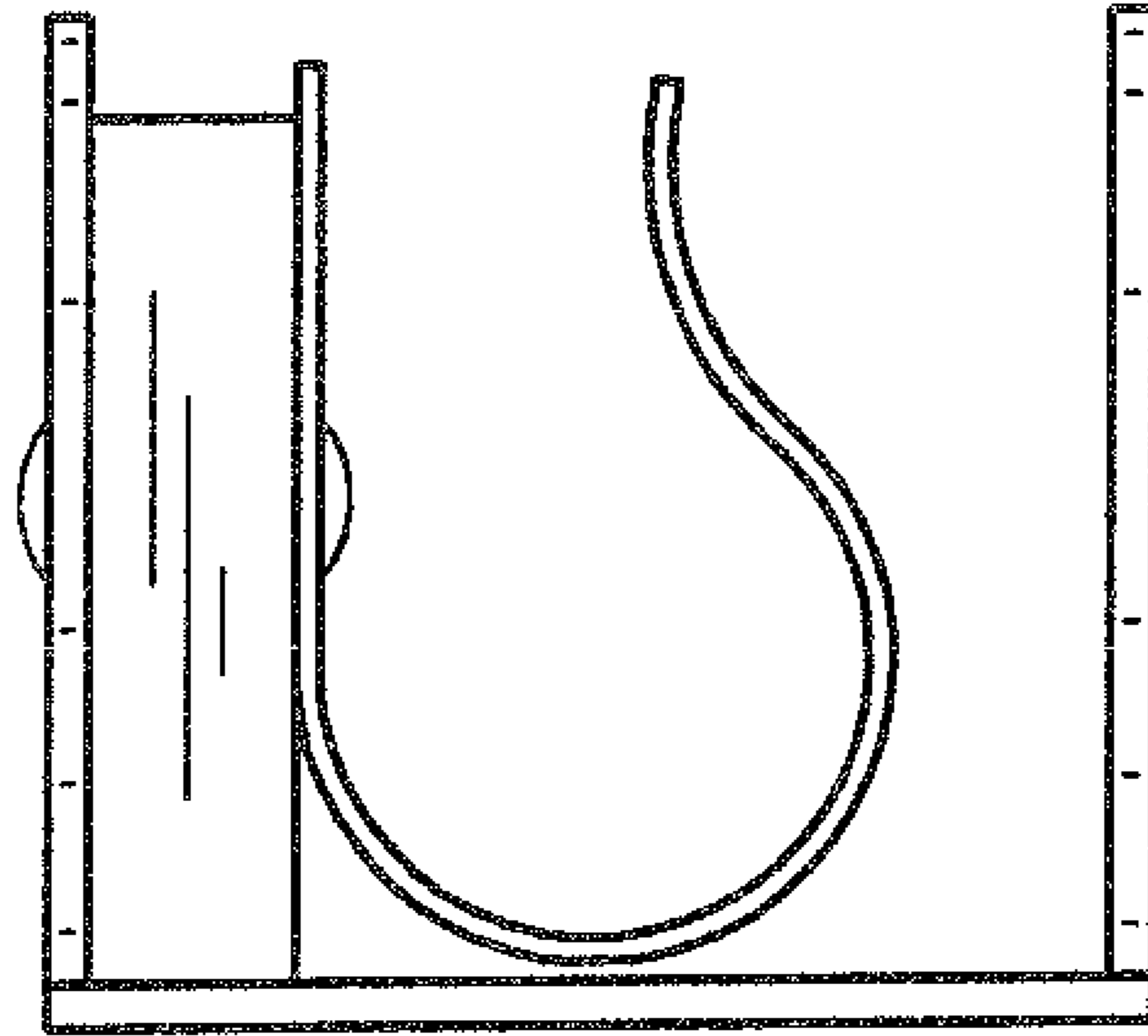


FIG. 4

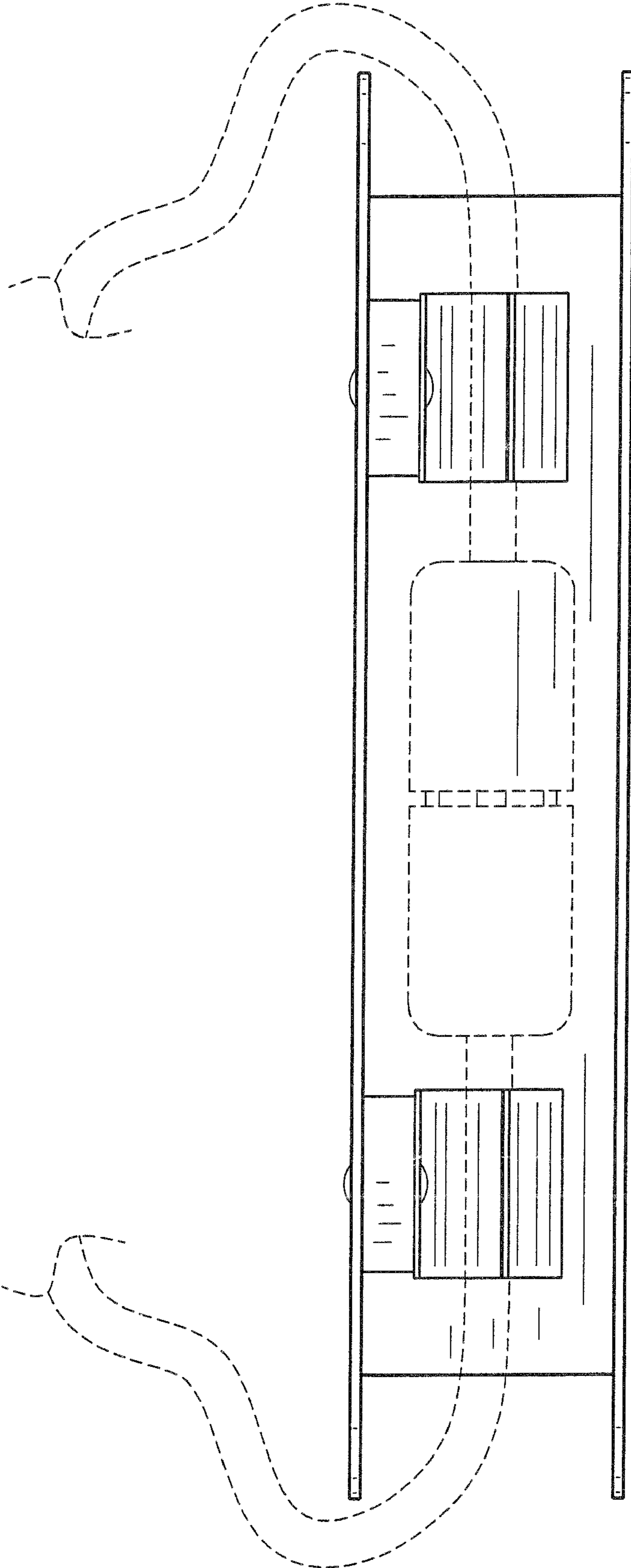


FIG. 5

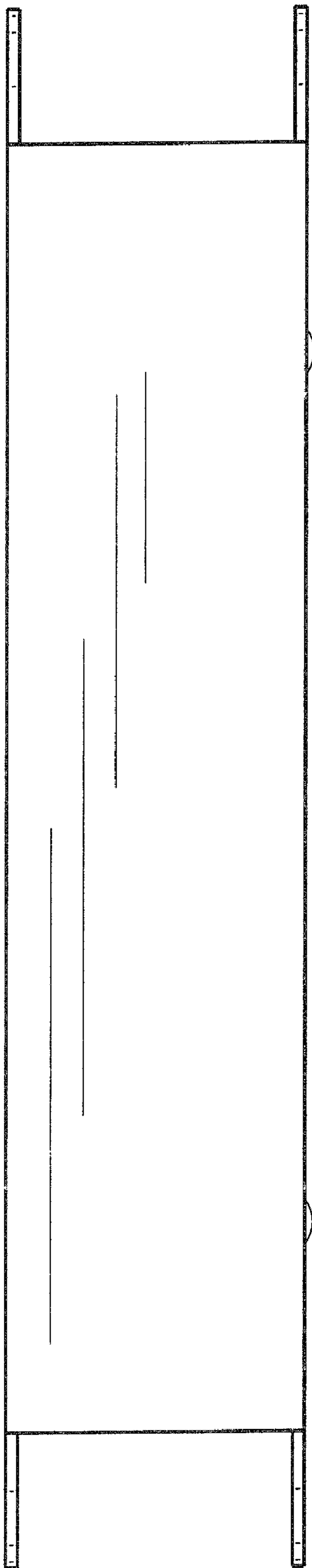


FIG. 6