



US00D640986S

(12) **United States Design Patent**
Gong et al.

(10) **Patent No.:** **US D640,986 S**

(45) **Date of Patent:** **** Jul. 5, 2011**

(54) **CONNECTOR**

(75) Inventors: **Hong-Bin Gong**, Kunshan (CN);
Zhong-Hua Yao, Kunshan (CN);
Yuh-Huey Kang, Tu-Cheng (TW);
Jia-Yong He, Kunshan (CN); **Qi-Sheng**
Zheng, Kunshan (CN)

(73) Assignee: **Hon Hai Precision Ind. Co., Ltd.**,
Taipei (TW)

(**) Term: **14 Years**

(21) Appl. No.: **29/380,338**

(22) Filed: **Dec. 3, 2010**

(30) **Foreign Application Priority Data**

Jul. 16, 2010 (CN) 201030240534
Jul. 24, 2010 (CN) 201030248676

(51) **LOC (9) Cl.** **13-03**

(52) **U.S. Cl.** **D13/154**

(58) **Field of Classification Search** D13/133,
D13/146, 147, 154, 184, 199; 439/607.23,
439/607.24, 607.25, 607.27, 607.53, 660,
439/668, 669, 676, 892, 894

See application file for complete search history.

(56) **References Cited**

U.S. PATENT DOCUMENTS

5,017,158 A * 5/1991 Liu et al. 439/607.23
D415,106 S * 10/1999 Wu et al. D13/147

D419,134 S * 1/2000 Chen D13/146
D434,004 S * 11/2000 Yang D13/146
D435,015 S * 12/2000 Wang D13/133
D534,124 S * 12/2006 Taguchi D13/133
D539,740 S * 4/2007 Zhang et al. D13/133
D569,806 S * 5/2008 Zheng et al. D13/147
D576,554 S * 9/2008 Sun D13/146
2010/0029122 A1 * 2/2010 Mateo Ferrus et al. 439/344

* cited by examiner

Primary Examiner — Daniel Bui

(74) *Attorney, Agent, or Firm* — Wei Te Chung; Andrew C. Cheng; Ming Chieh Chang

(57) **CLAIM**

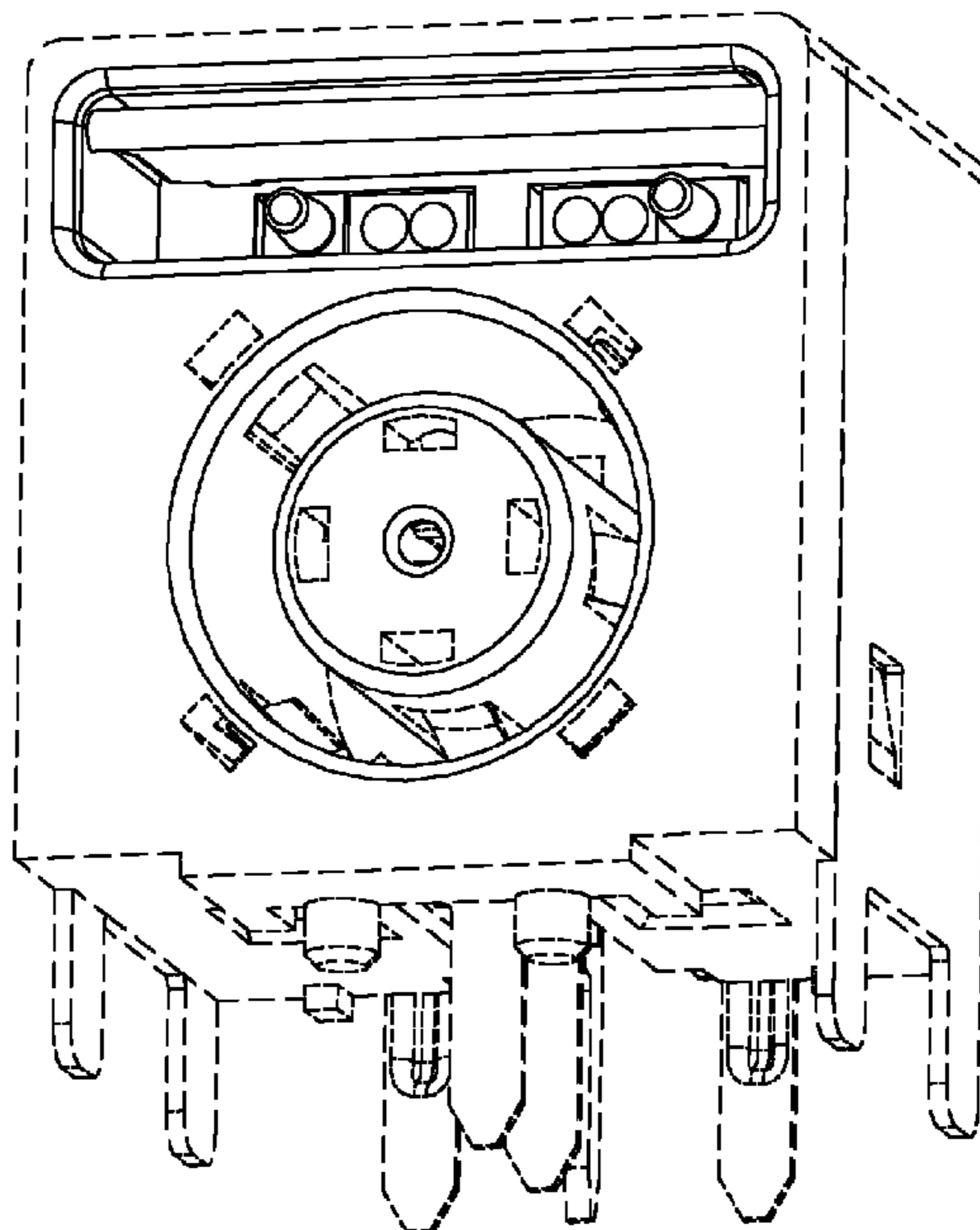
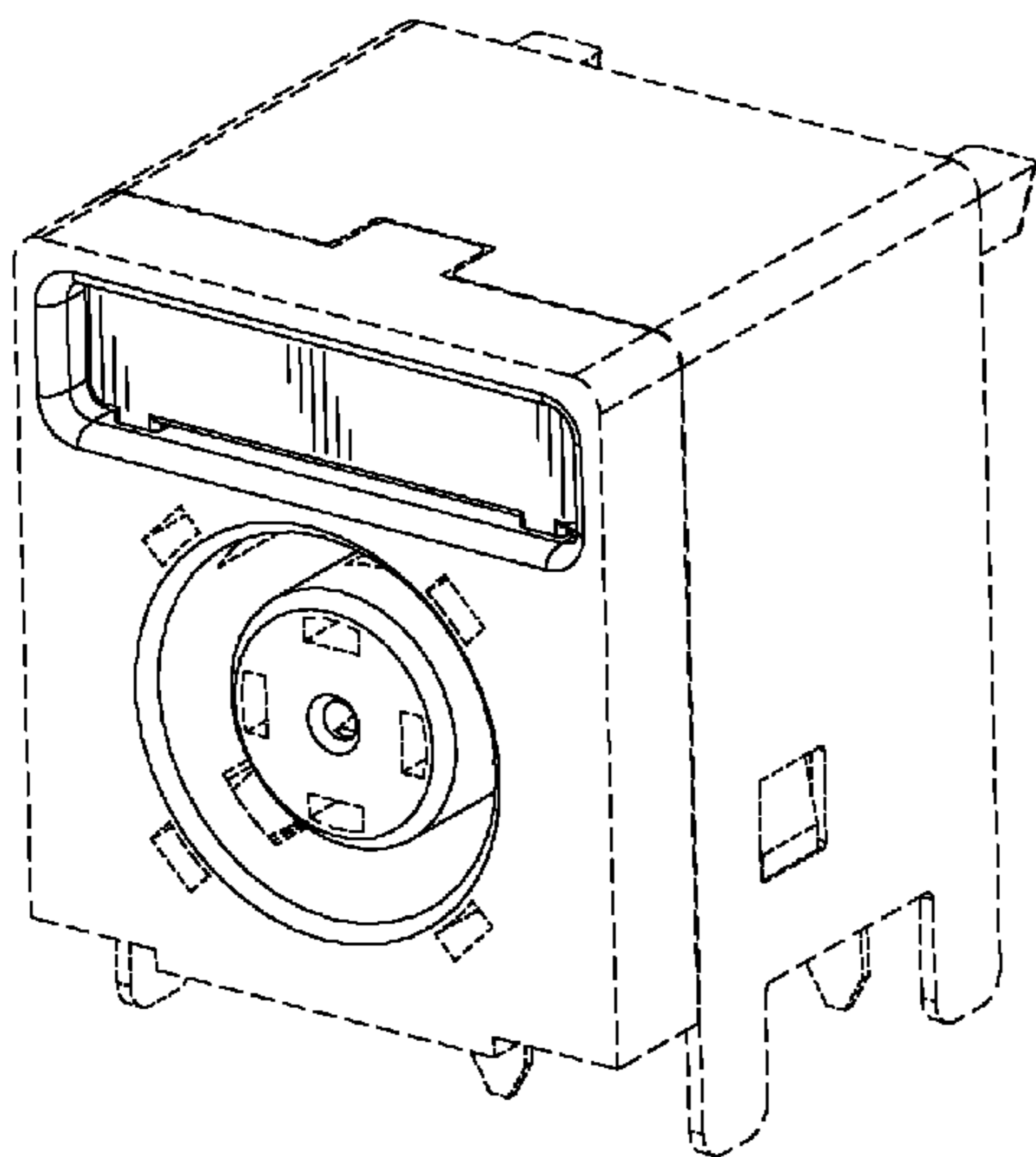
The ornamental design for a connector, as shown and described.

DESCRIPTION

FIG. 1 is a front, top and right side perspective view of a connector showing our new design;
FIG. 2 is a front elevational view thereof;
FIG. 3 is a rear elevational view thereof;
FIG. 4 is a left side elevational view thereof;
FIG. 5 is a right side elevational view thereof;
FIG. 6 is a top plan view thereof;
FIG. 7 is a bottom plan view thereof; and,
FIG. 8 is a front, bottom and right side perspective view showing a door opening to reveal an optical module of the connector.

The broken line portion of the figure drawings is included to show unclaimed subject matter and forms no part of the claimed design.

1 Claim, 8 Drawing Sheets



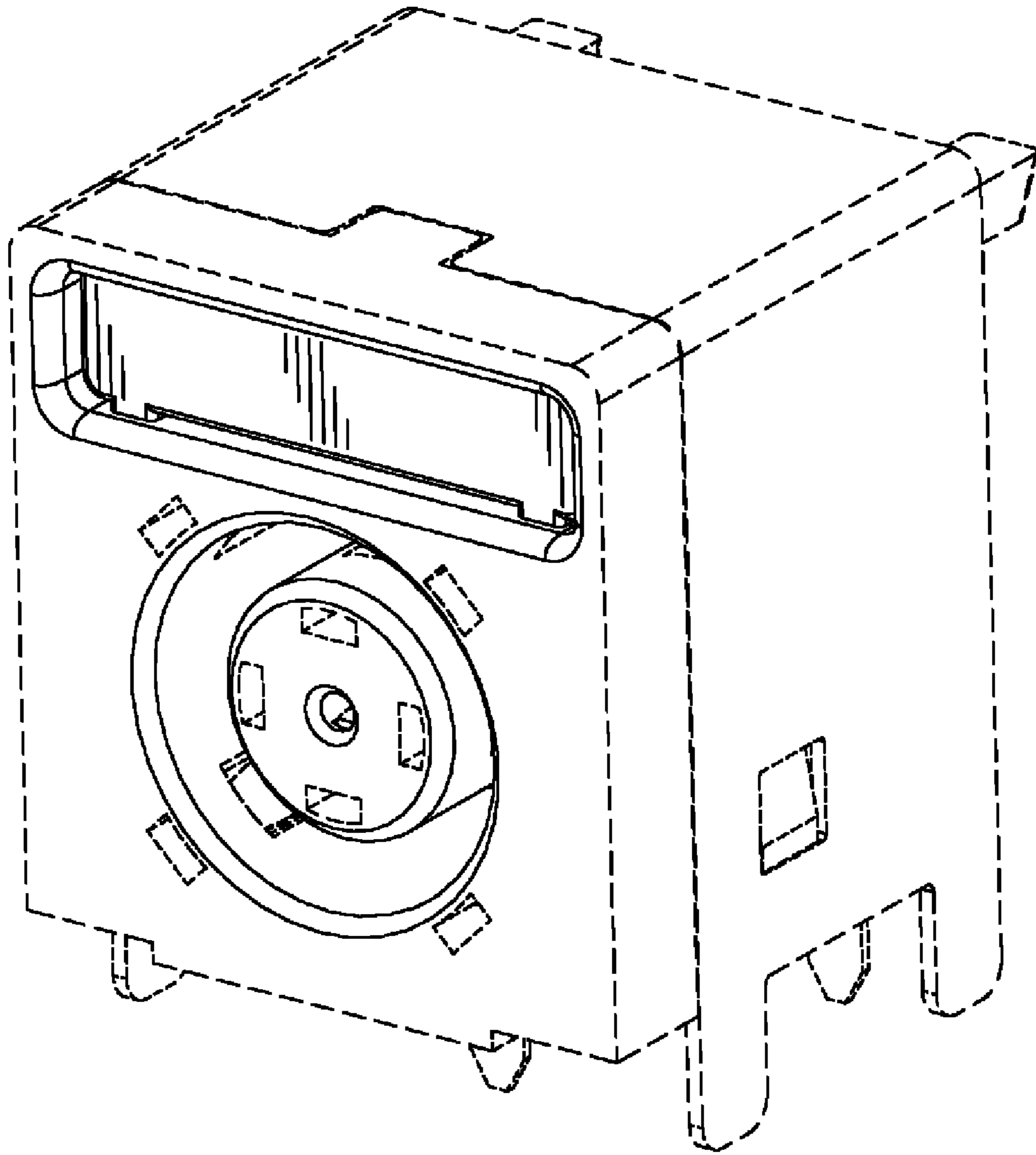


FIG. 1

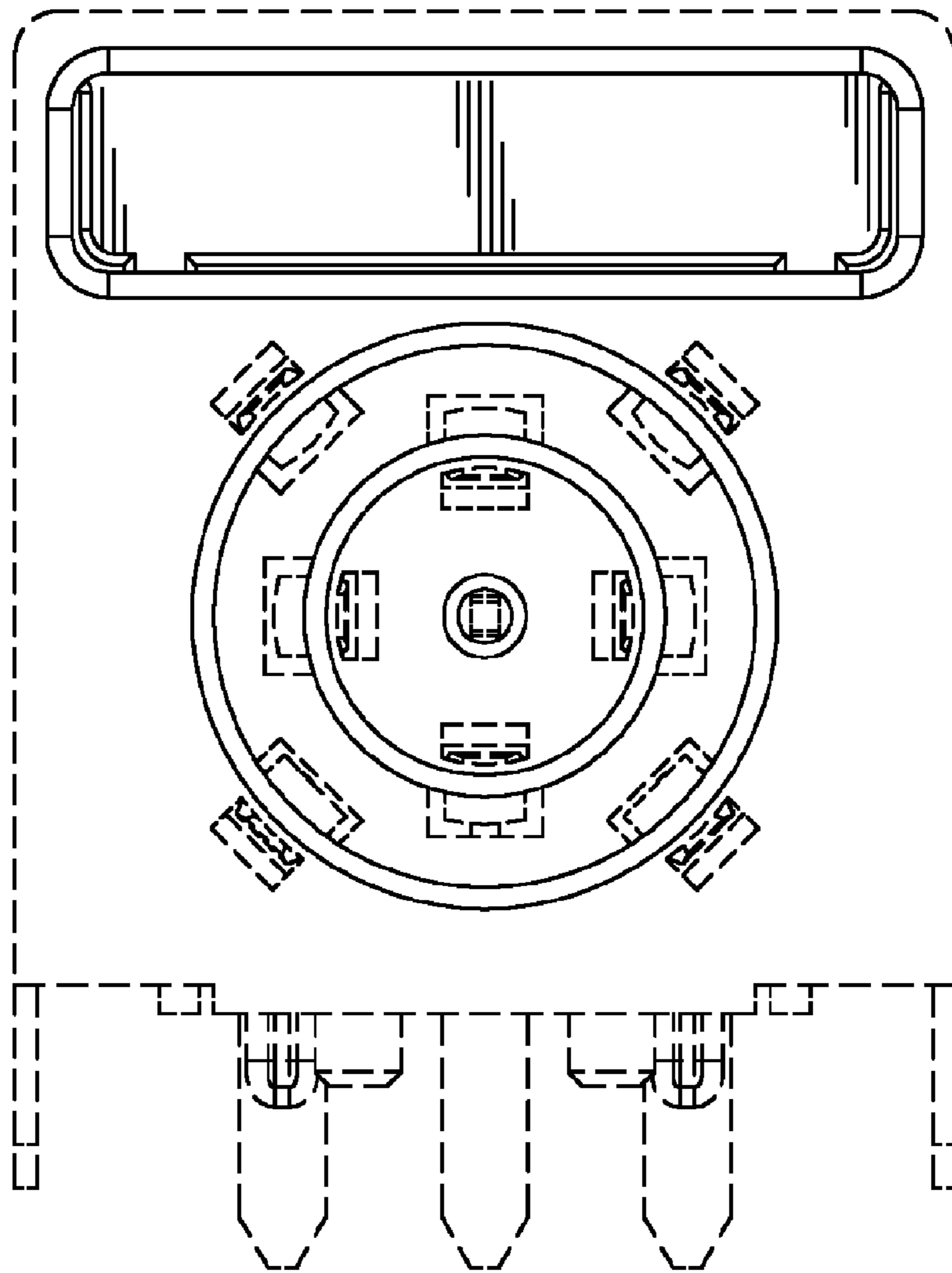


FIG. 2

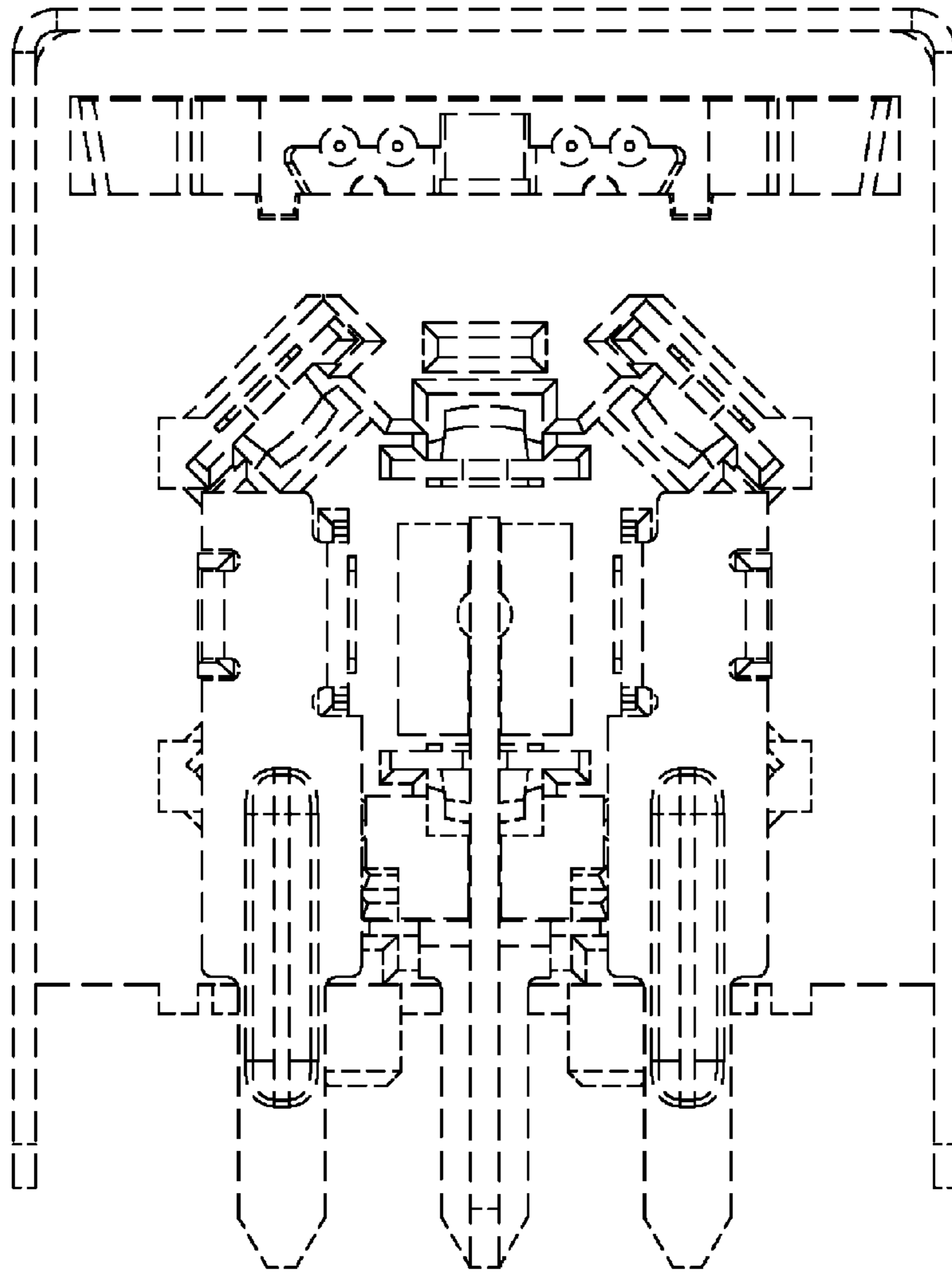


FIG. 3

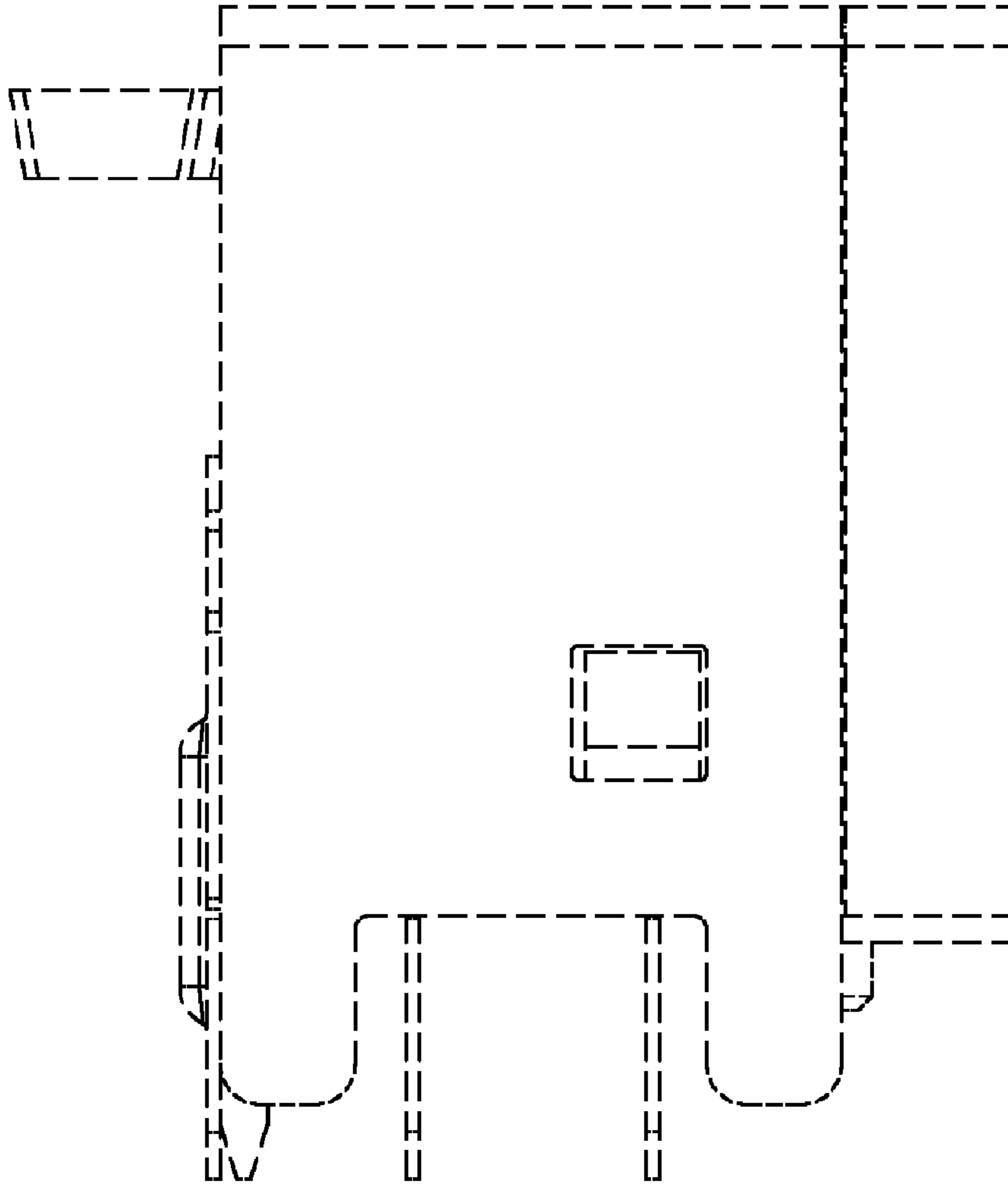


FIG. 4

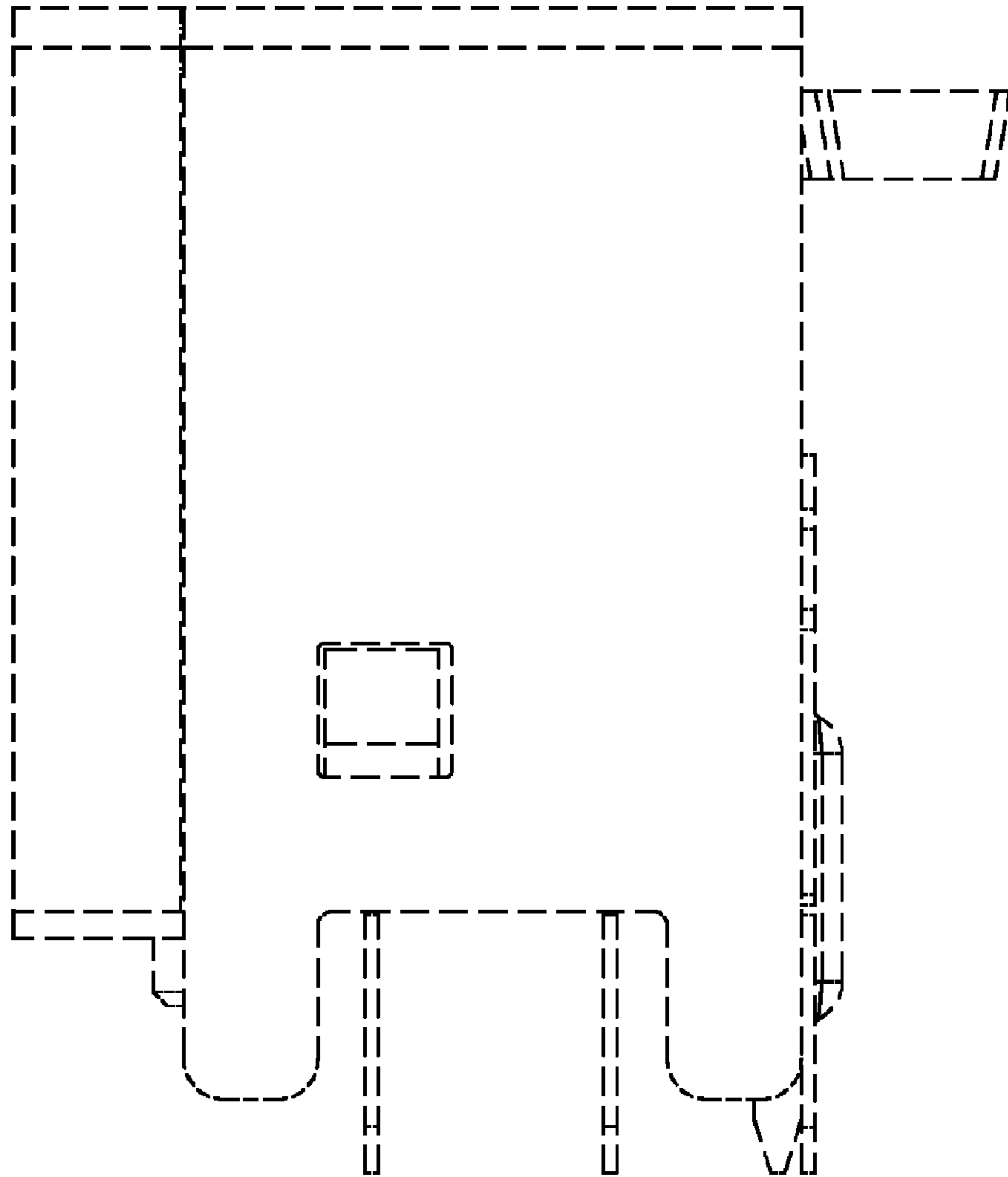


FIG. 5

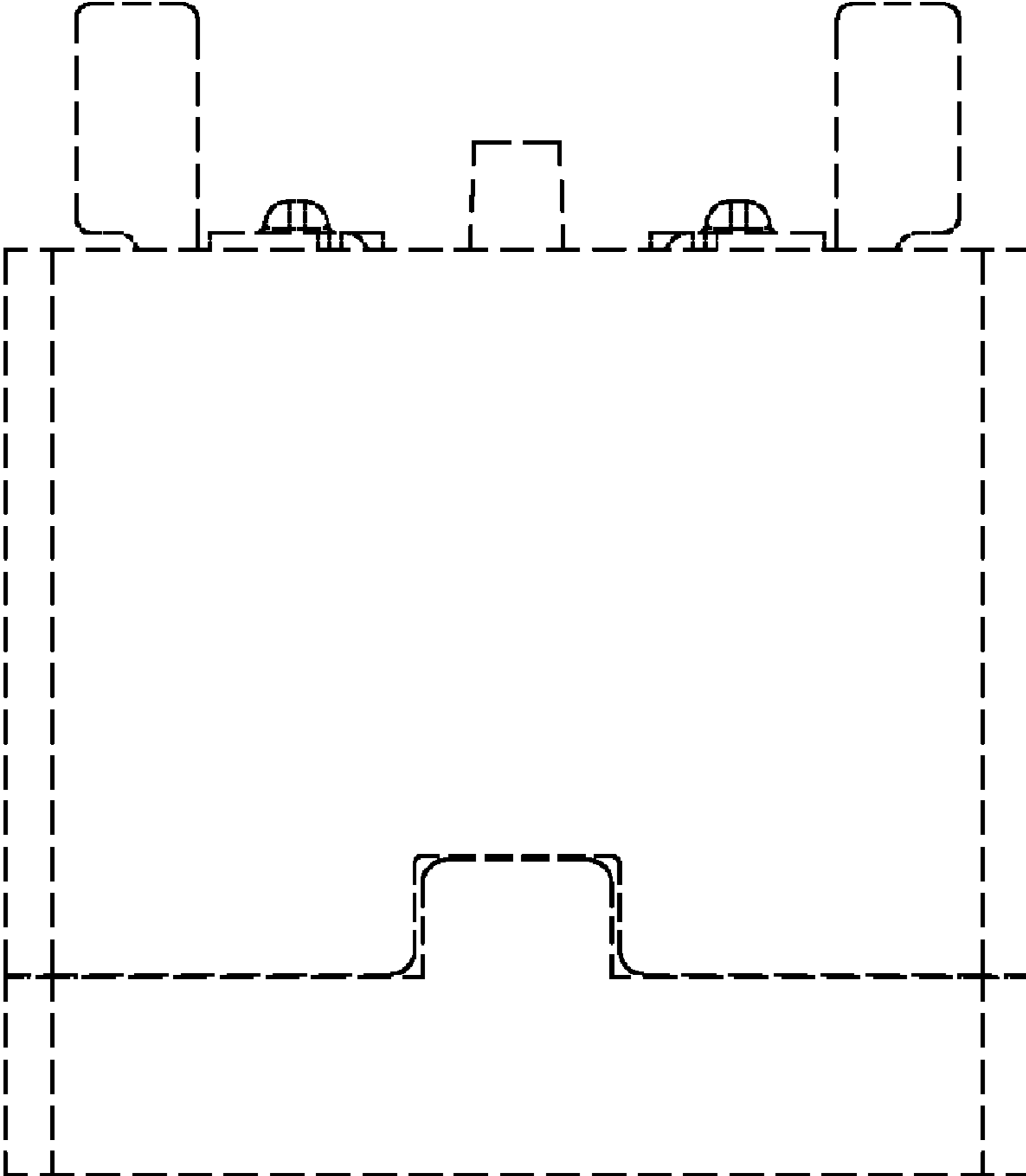


FIG. 6

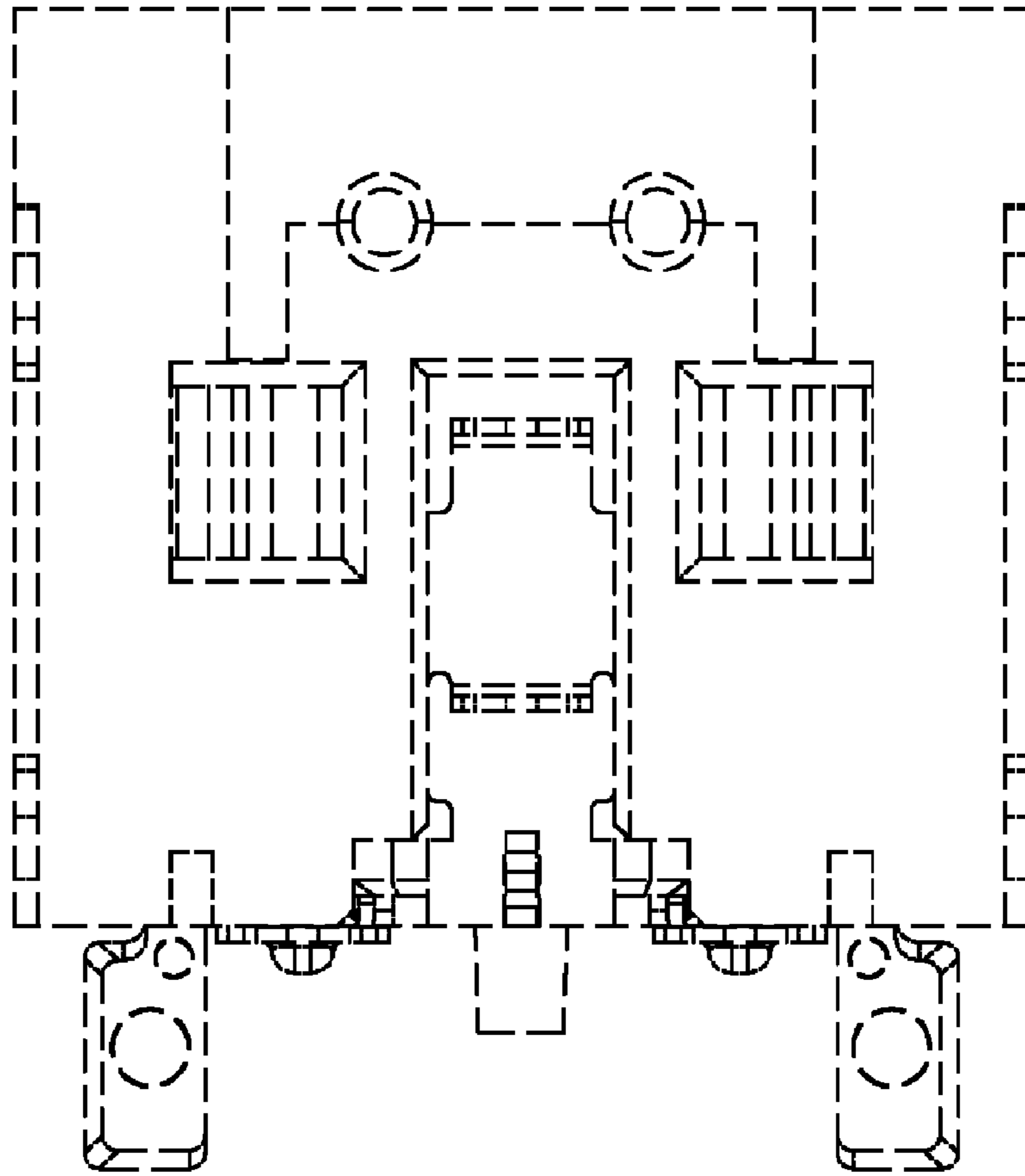


FIG. 7

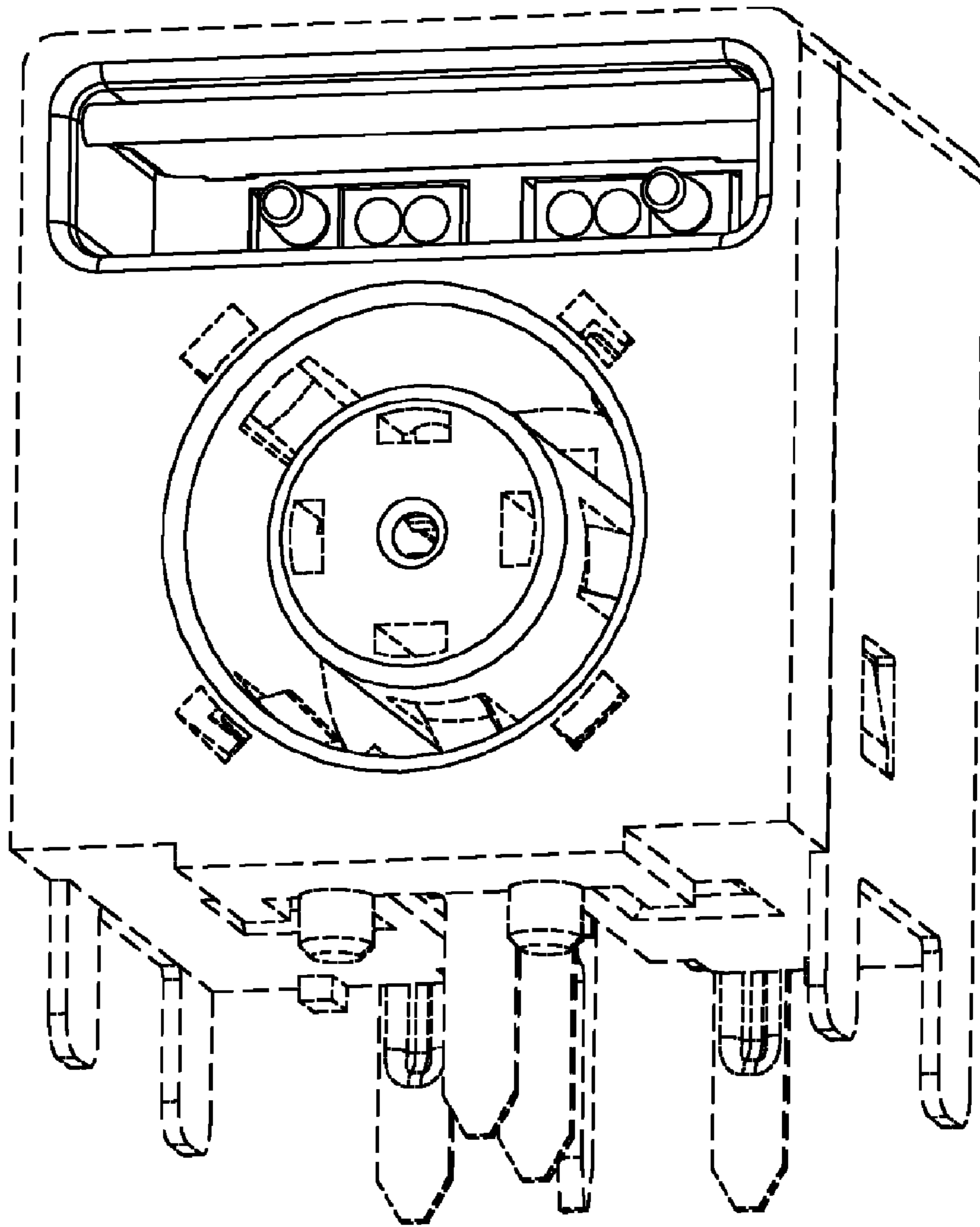


FIG. 8