



US00D640985S

(12) **United States Design Patent**
Wang et al.

(10) **Patent No.:** **US D640,985 S**

(45) **Date of Patent:** **** *Jul. 5, 2011**

(54) **ELECTRICAL CONNECTOR**

(75) Inventors: **Chen-Xi Wang**, Kunshan (CN);
Hong-Qiang Han, Kunshan (CN);
Zi-Qiang Zhu, Kunshan (CN)

(73) Assignee: **Hon Hai Precision Ind. Co., Ltd.**, New Taipei (TW)

(*) Notice: This patent is subject to a terminal disclaimer.

(**) Term: **14 Years**

(21) Appl. No.: **29/349,724**

(22) Filed: **Apr. 26, 2010**

Related U.S. Application Data

(63) Continuation of application No. 29/342,565, filed on Aug. 27, 2009, now Pat. No. Des. 614,578.

(51) **LOC (9) Cl.** **13-03**

(52) **U.S. Cl.** **D13/154**

(58) **Field of Classification Search** D13/133,
D13/147, 154, 184; 439/79, 108, 378, 607.1,
439/607.2, 607.4, 607.5, 607.17, 607.25,
439/607.34, 607.41, 607.53, 660, 680
See application file for complete search history.

(56) **References Cited**

U.S. PATENT DOCUMENTS

D608,738 S * 1/2010 Wang et al. D13/147
D609,186 S * 2/2010 Han et al. D13/147

D611,910 S * 3/2010 Wang et al. D13/147
D611,911 S * 3/2010 Wang et al. D13/147
D614,578 S * 4/2010 Wang et al. D13/147
D614,579 S * 4/2010 Wang et al. D13/147
D614,580 S * 4/2010 Wang et al. D13/147
D616,370 S * 5/2010 Wang et al. D13/147
D616,829 S * 6/2010 Wang et al. D13/147
D617,283 S * 6/2010 Wang et al. D13/147
D626,919 S * 11/2010 Wang et al. D13/147

* cited by examiner

Primary Examiner — Daniel D Bui

(74) *Attorney, Agent, or Firm* — Wei Te Chung; Andrew C. Cheng; Ming Chieh Chang

(57) **CLAIM**

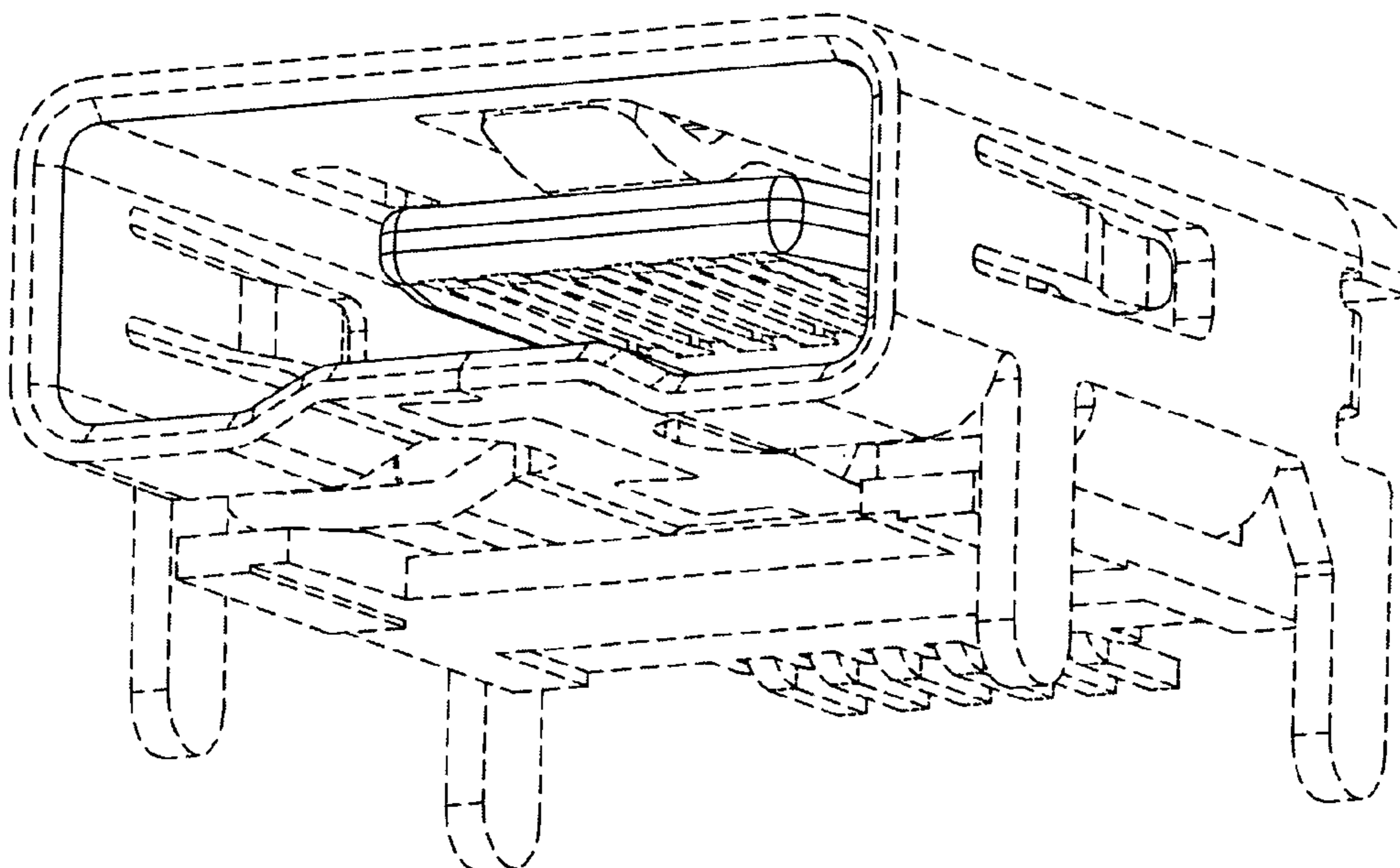
The ornamental design for an electrical connector, and described.

DESCRIPTION

FIG. 1 is a front, top and right side perspective view of an electrical connector showing our new design; FIG. 2 is a front elevational view thereof; FIG. 3 is a rear elevational view thereof; FIG. 4 is a left side elevational view thereof; FIG. 5 is a right side elevational view thereof; FIG. 6 is a top plan view thereof; and, FIG. 7 is a bottom plan view thereof.

The broken line portion of the figure drawings is included to show unclaimed subject matter only and forms no part of the claimed design.

1 Claim, 7 Drawing Sheets



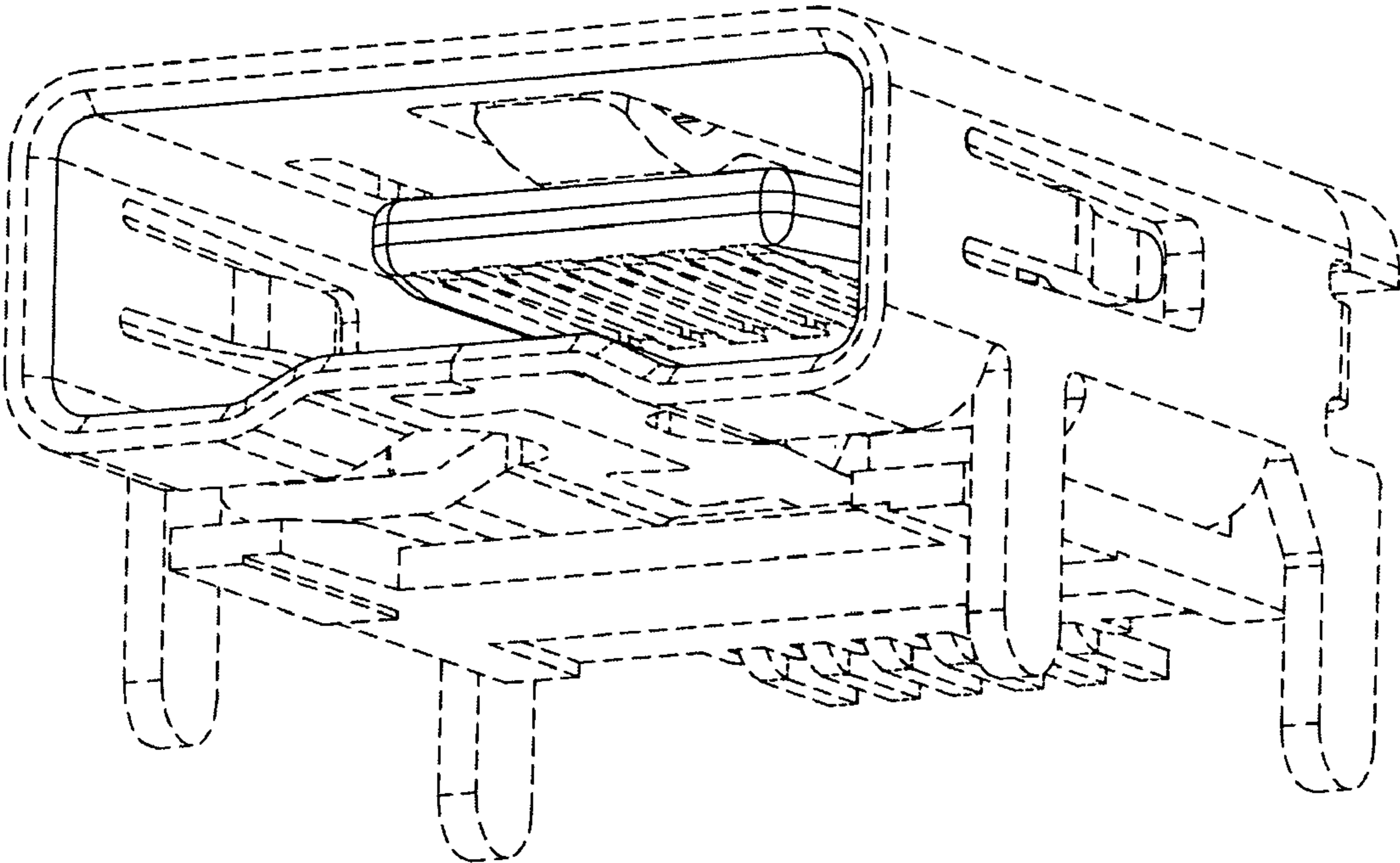


FIG. 1

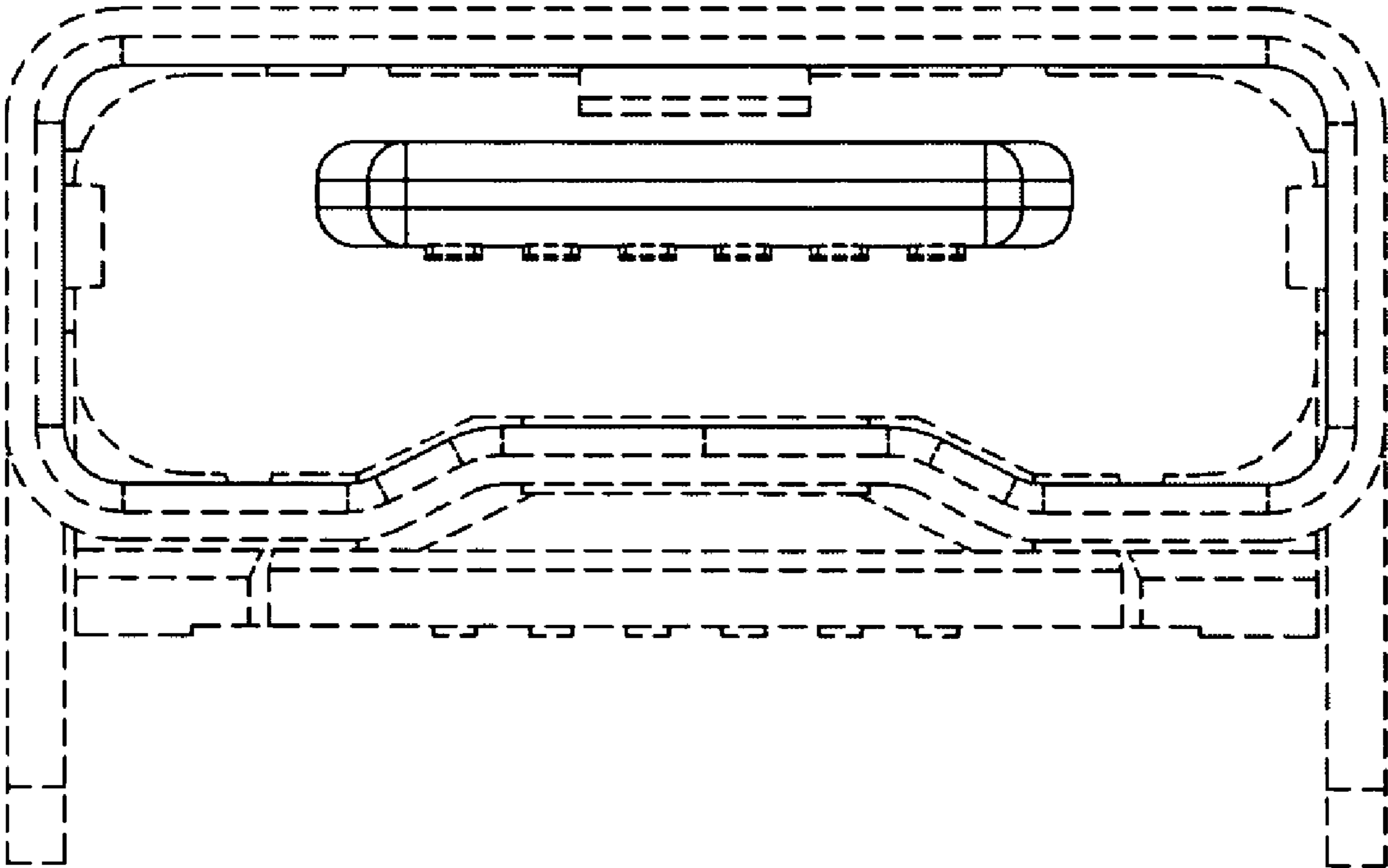


FIG. 2

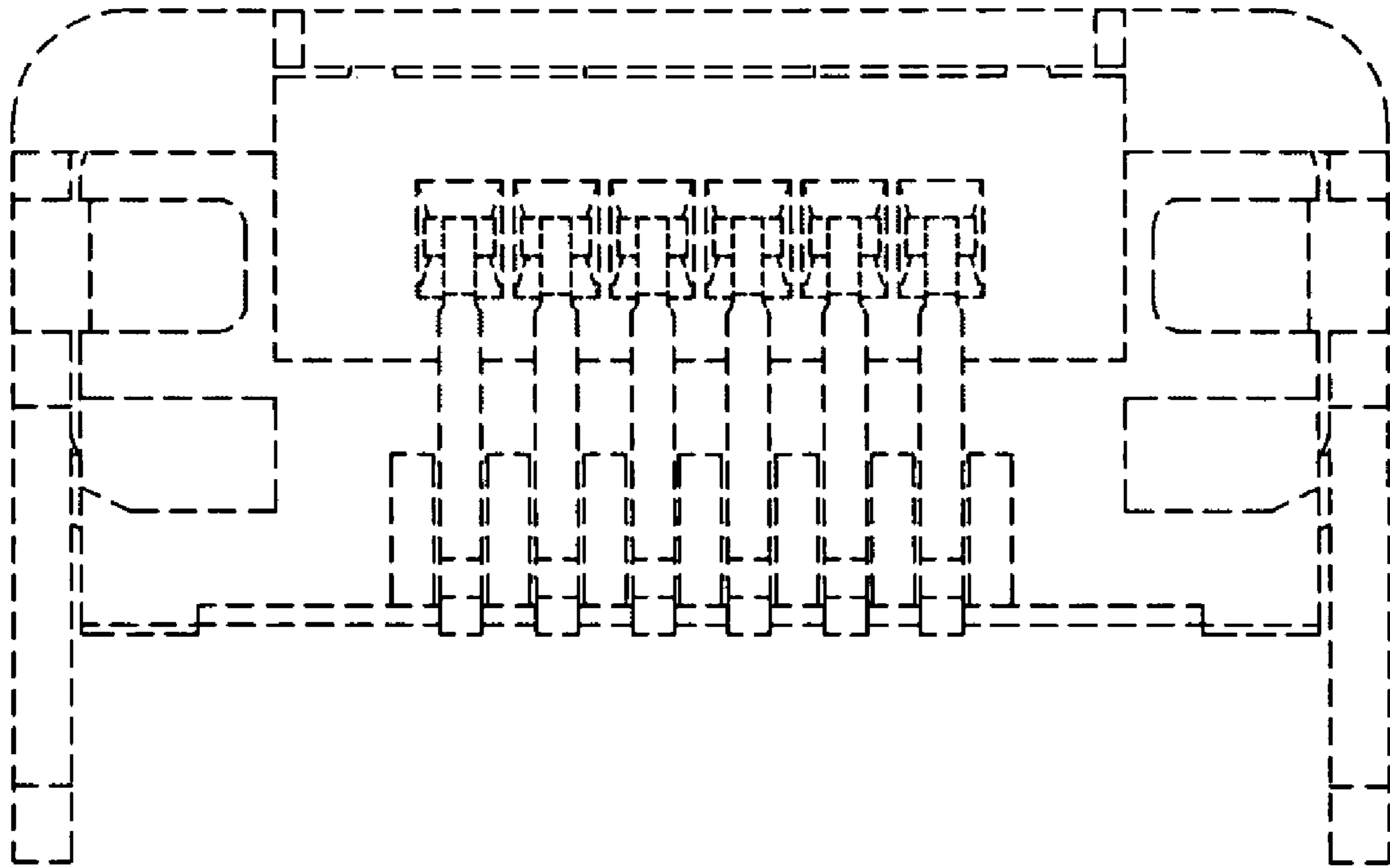


FIG. 3

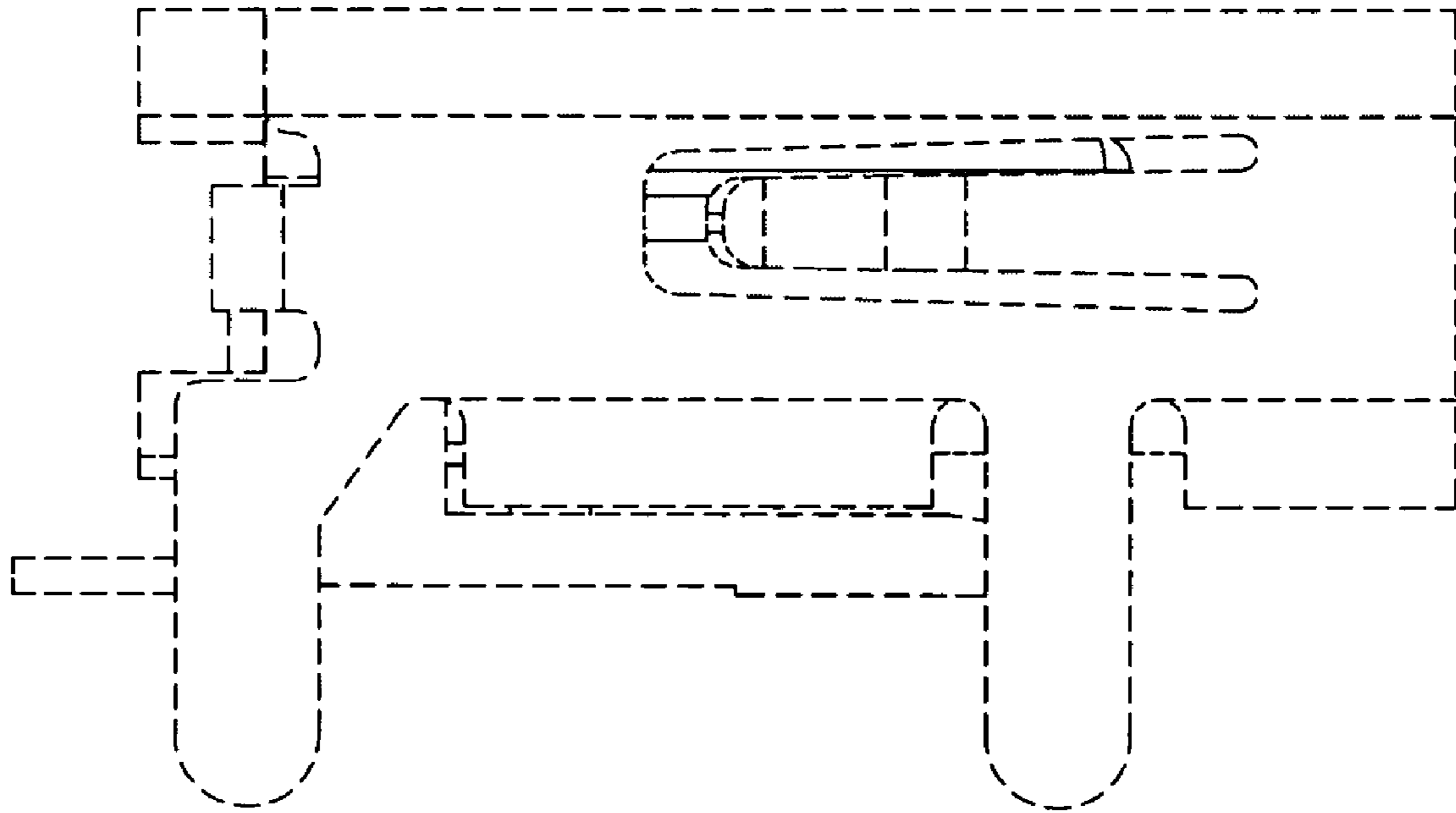


FIG. 4

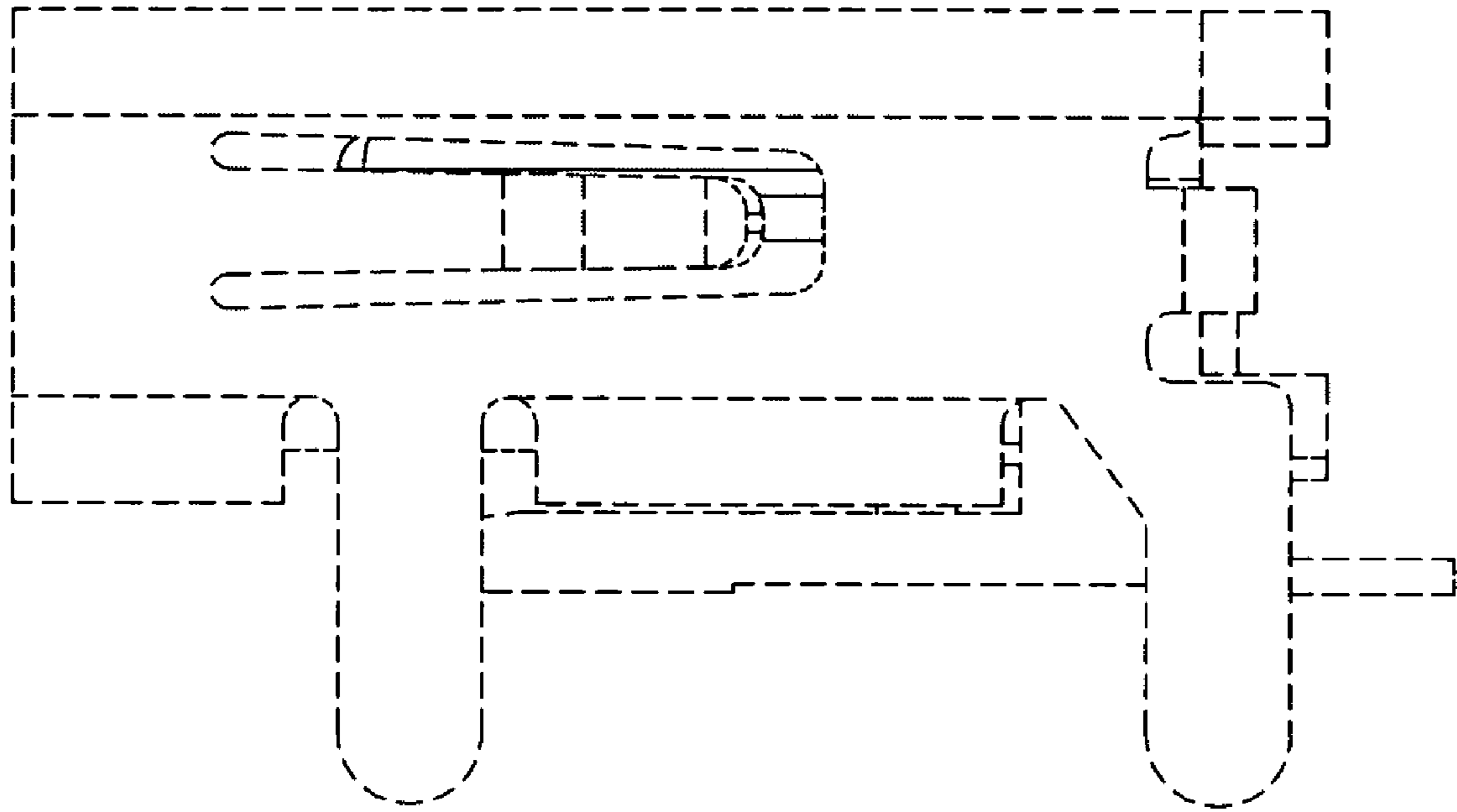


FIG. 5

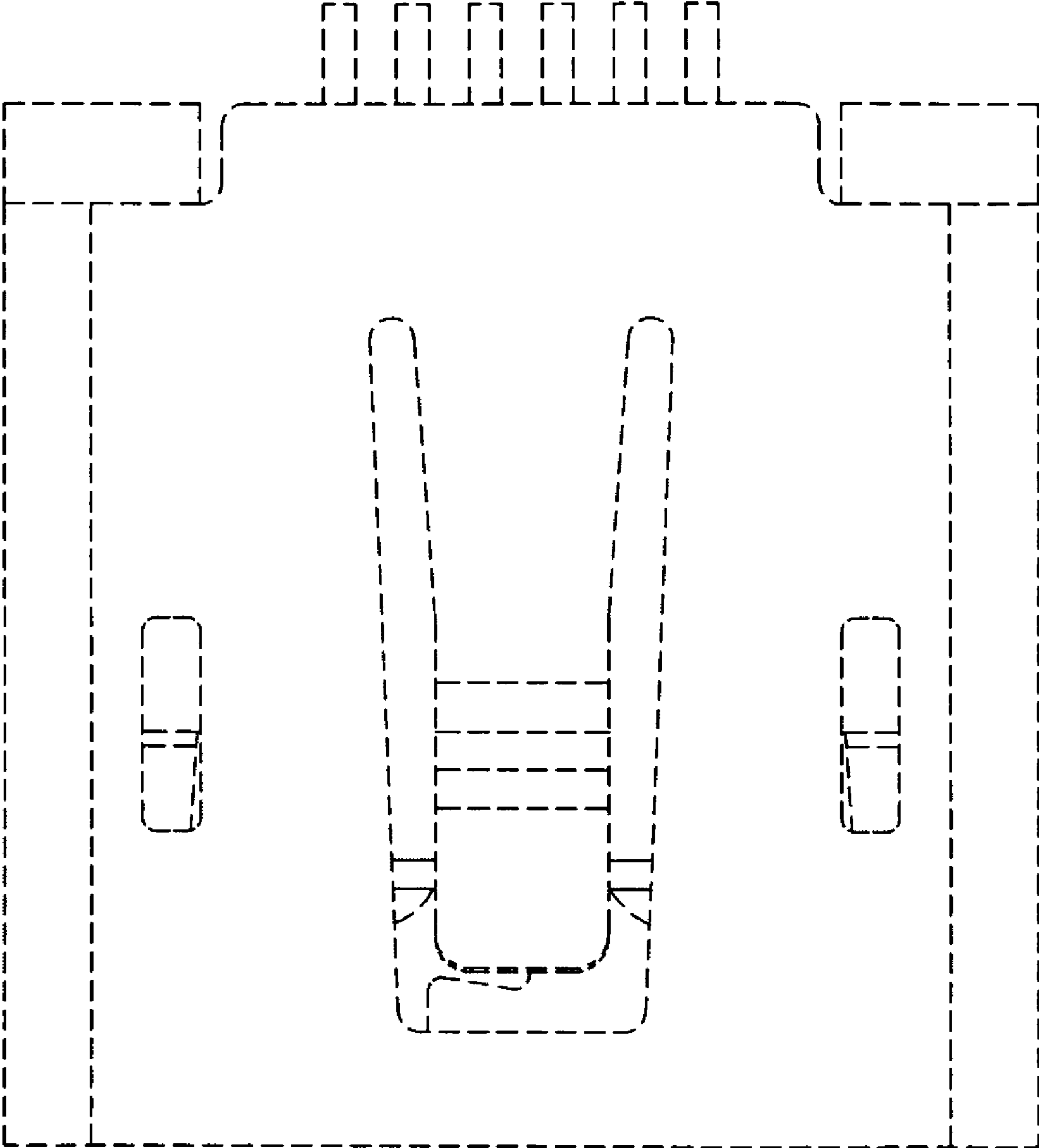


FIG. 6

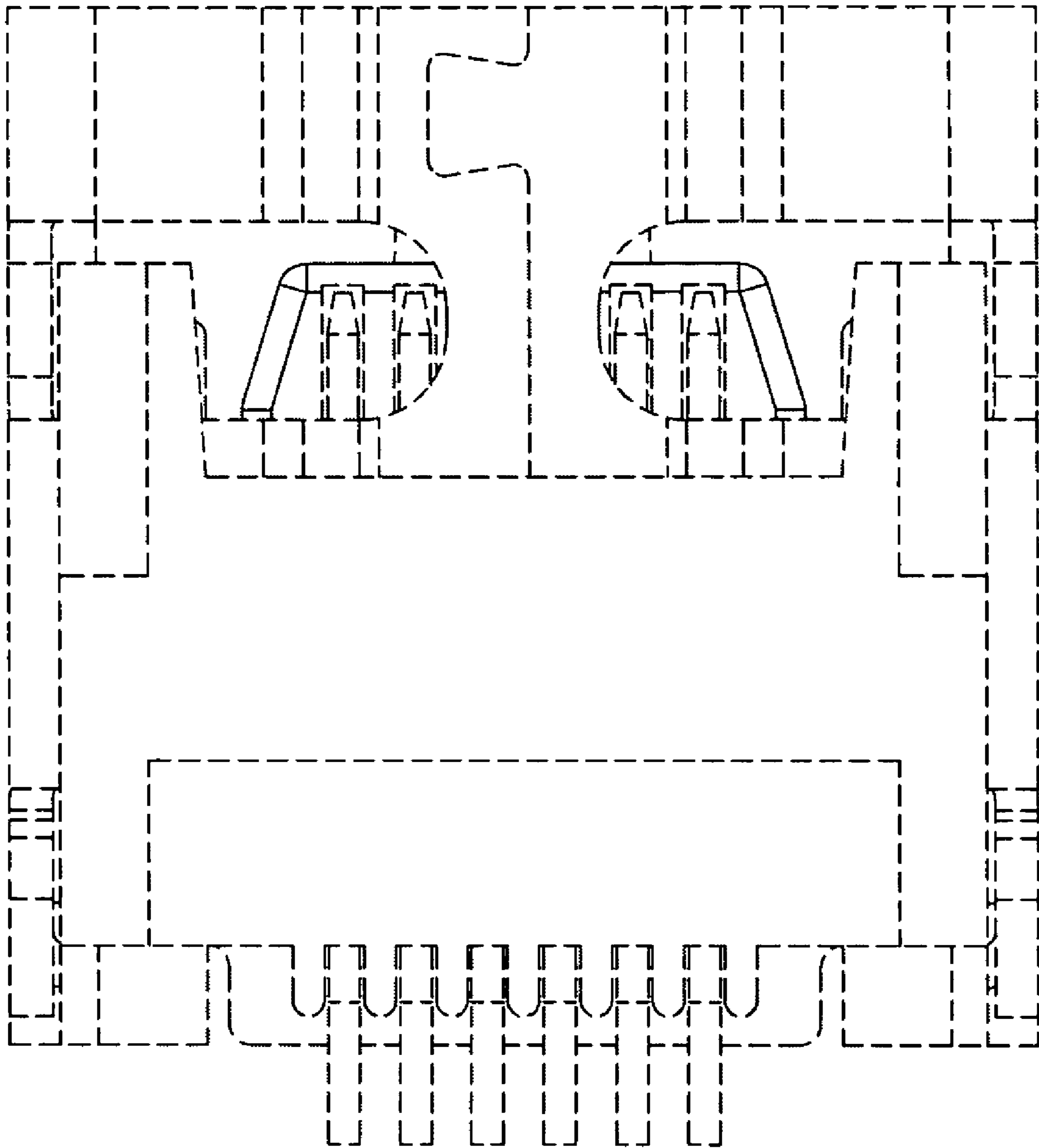


FIG. 7