



US00D640977S

(12) **United States Design Patent**
Videbaek

(10) **Patent No.:** **US D640,977 S**

(45) **Date of Patent:** **** Jul. 5, 2011**

(54) **CHARGING STATION FOR A BATTERY OPERATED BIOPSY DEVICE**

(75) Inventor: **Karsten Videbaek**, Jyllinge (DK)

(73) Assignee: **C. R. Bard, Inc.**, Murray Hill, NJ (US)

(**) Term: **14 Years**

(21) Appl. No.: **29/344,248**

(22) Filed: **Sep. 25, 2009**

(51) **LOC (9) Cl.** **13-02**

(52) **U.S. Cl.** **D13/108**

(58) **Field of Classification Search** D13/107-110,
D13/118-119, 184, 199; D14/251, 253,
D14/432, 434; 320/107-115; D24/127,
D24/128

See application file for complete search history.

(56) **References Cited**

U.S. PATENT DOCUMENTS

737,293	A	8/1903	Summerfeldt
1,585,934	A	5/1926	Muir
1,663,761	A	3/1928	Johnson
2,953,934	A	9/1960	Sundt
3,019,733	A	2/1962	Braid
3,477,423	A	11/1969	Griffith
3,512,519	A	5/1970	Hall
3,561,429	A	2/1971	Jewett et al.
3,727,602	A	4/1973	Hyden et al.
3,732,858	A	5/1973	Banko
3,844,272	A	10/1974	Banko
4,282,884	A	8/1981	Boebel
4,354,092	A	10/1982	Manabe et al.

(Continued)

FOREIGN PATENT DOCUMENTS

DE 3924291 A1 1/1991

(Continued)

OTHER PUBLICATIONS

Maxim; Maxim8606; USB/AC Adapter, Li+ Linear Battery Charger with Integrated 50m Omega Battery Switch in TDFN; <http://datasheets.maxim-ic.com/en/ds/MAX8606.pdf>; Dec. 2008; Rev 1.

Primary Examiner — Rosemary K Tarcza

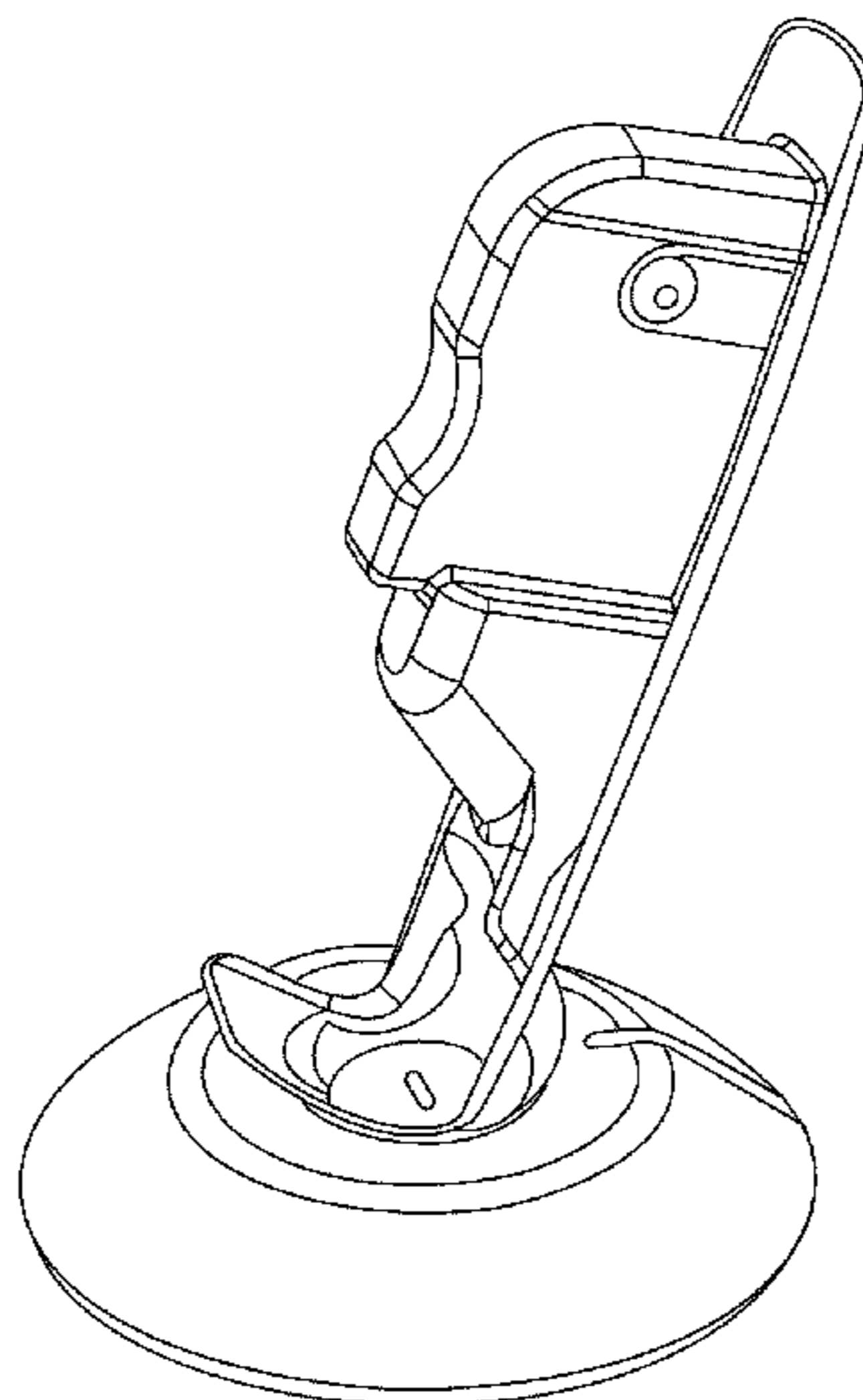
(57) **CLAIM**

The ornamental design for a charging station for a battery operated biopsy device, as shown and described.

DESCRIPTION

FIG. 1 is a perspective view of a charging station for a battery operated biopsy device showing my new design, having a charger dock oriented at an acute angle relative to a base; FIG. 2 is a perspective view thereof with the charger dock oriented at a right angle relative to the base; FIG. 3 is a side view thereof with the charger dock oriented at an acute angle relative to the base; FIG. 4 is a front view thereof with the charger dock oriented at an acute angle relative to the base; FIG. 5 is a rear view thereof with the charger dock oriented at an acute angle relative to the base; FIG. 6 is a top view thereof with the charger dock oriented at an acute angle relative to the base; FIG. 7 is an opposite side view thereof with the charger dock oriented at a right angle relative to the base; FIG. 8 is an exploded perspective view thereof showing the charger dock separated from the base; FIG. 9 is a perspective bottom-opposite side view of the charger dock thereof, shown separate from the base for ease of illustration. FIG. 10 is a perspective side view showing the charger dock thereof; FIG. 11 is a side view of the charger dock thereof; and, FIG. 12 is a top view of the charger dock thereof. The broken lines shown in the drawings are included for the purpose of illustrating unclaimed portions of the charging station for a battery operated biopsy device, and form no part of the claimed design.

1 Claim, 6 Drawing Sheets



US D640,977 S

U.S. PATENT DOCUMENTS							
4,445,509	A	5/1984	Auth	6,488,636	B2	12/2002	Bryan et al.
4,577,629	A	3/1986	Martinez	6,527,736	B1	3/2003	Attinger et al.
4,589,414	A	5/1986	Yoshida et al.	6,540,761	B2	4/2003	Houser
4,603,694	A	8/1986	Wheeler	6,585,664	B2	7/2003	Burdorff et al.
4,605,011	A	8/1986	Naslund	6,638,235	B2	10/2003	Miller et al.
4,617,430	A	10/1986	Bryant	D483,016	S *	12/2003	Ma et al. D13/108
4,645,153	A	2/1987	Granzow et al.	6,659,105	B2	12/2003	Burbank et al.
4,678,459	A	7/1987	Onik et al.	6,659,338	B1	12/2003	Dittmann et al.
4,696,298	A	9/1987	Higgins et al.	6,683,439	B2	1/2004	Takano et al.
4,702,260	A	10/1987	Wang	6,689,072	B2	2/2004	Kaplan et al.
4,850,354	A	7/1989	McGurk-Burleson et al.	6,695,786	B2	2/2004	Wang et al.
4,907,598	A	3/1990	Bauer	6,712,774	B2	3/2004	Voegele et al.
RE33,258	E	7/1990	Onik et al.	D489,322	S *	5/2004	Sawai et al. D13/108
4,986,807	A	1/1991	Farr	6,752,768	B2	6/2004	Burdorff et al.
4,989,614	A	2/1991	Dejter, Jr. et al.	6,753,671	B1	6/2004	Harvey
5,138,245	A	8/1992	Mattinger et al.	6,758,824	B1	7/2004	Miller et al.
5,158,528	A	10/1992	Walker et al.	6,764,495	B2	7/2004	Lee et al.
5,176,628	A	1/1993	Charles et al.	D493,801	S *	8/2004	Byun D14/453
5,225,763	A	7/1993	Krohn et al.	6,832,990	B2	12/2004	Kortenbach et al.
5,234,000	A	8/1993	Hakky et al.	6,849,080	B2	2/2005	Lee et al.
5,236,334	A	8/1993	Bennett	D508,458	S	8/2005	Solland et al.
5,282,477	A	2/1994	Bauer	6,926,676	B2	8/2005	Turturro et al.
5,334,183	A	8/1994	Wuchinich	D525,583	S	7/2006	Vu
5,439,474	A	8/1995	Li	7,153,274	B2	12/2006	Stephens et al.
5,479,486	A	12/1995	Saji	7,189,206	B2	3/2007	Quick et al.
5,485,917	A	1/1996	Early	7,219,867	B2	5/2007	Kalis et al.
5,492,130	A	2/1996	Chiou	7,226,424	B2	6/2007	Ritchart et al.
5,496,860	A	3/1996	Matsumoto et al.	7,276,032	B2	10/2007	Hibner
5,511,556	A	4/1996	DeSantis	D559,485	S *	1/2008	Fjellman D32/31
5,526,822	A	6/1996	Burbank et al.	7,328,794	B2	2/2008	Lubs et al.
5,535,755	A	7/1996	Heske	7,347,829	B2	3/2008	Mark et al.
5,554,151	A	9/1996	Hinchliffe	D568,327	S *	5/2008	Fitch et al. D14/453
5,560,373	A	10/1996	DeSantis	D568,808	S *	5/2008	Hamasaki D13/108
5,569,284	A	10/1996	Young et al.	7,374,544	B2	5/2008	Freeman et al.
5,601,585	A	2/1997	Banik et al.	D572,188	S *	7/2008	Prat-Pfister D13/108
5,602,449	A	2/1997	Krause et al.	7,397,654	B2	7/2008	Mori
5,655,657	A	8/1997	Roshdy	7,402,140	B2	7/2008	Spero et al.
5,665,101	A	9/1997	Becker et al.	7,405,536	B2	7/2008	Watts
5,699,909	A	12/1997	Foster	7,407,054	B2	8/2008	Seiler et al.
5,720,760	A	2/1998	Becker et al.	7,432,813	B2	10/2008	Postma
5,735,264	A	4/1998	Siczek et al.	7,464,040	B2	12/2008	Joao
5,755,714	A	5/1998	Murphy-Chutorian	7,490,048	B2	2/2009	Joao
5,769,086	A	6/1998	Ritchart et al.	D590,834	S *	4/2009	Richter D14/447
5,775,333	A	7/1998	Burbank et al.	7,517,321	B2	4/2009	McCullough et al.
5,792,167	A	8/1998	Kablik et al.	D593,103	S *	5/2009	Richter D14/447
5,827,305	A	10/1998	Gordon	D593,566	S *	6/2009	Richter D14/447
5,830,219	A	11/1998	Bird et al.	D595,722	S *	7/2009	Miyawaki D14/447
5,908,233	A	6/1999	Heskett et al.	7,648,466	B2	1/2010	Stephens et al.
5,916,229	A	6/1999	Evans	2001/0007925	A1	7/2001	Ritchart et al.
5,928,164	A	7/1999	Burbank et al.	2001/0011156	A1	8/2001	Viola et al.
5,944,673	A	8/1999	Gregorie et al.	2001/0047183	A1	11/2001	Privitera et al.
5,951,575	A	9/1999	Bolduc et al.	2002/0065474	A1	5/2002	Viola
5,964,716	A	10/1999	Gregorie et al.	2002/0067151	A1	6/2002	Tanishita
D416,536	S *	11/1999	Ross et al. D13/107	2002/0082518	A1	6/2002	Weiss et al.
5,976,164	A	11/1999	Bencini et al.	2002/0107043	A1	8/2002	Adamson et al.
5,980,469	A	11/1999	Burbank et al.	2002/0120212	A1	8/2002	Ritchart et al.
6,007,556	A	12/1999	Kablik et al.	2003/0130677	A1	7/2003	Whitman et al.
6,017,316	A	1/2000	Ritchart et al.	2003/0163142	A1	8/2003	Paltieli et al.
6,018,227	A	1/2000	Kumar et al.	2004/0015079	A1	1/2004	Berger et al.
6,019,733	A	2/2000	Farascioni	2004/0019297	A1	1/2004	Angel
6,022,324	A	2/2000	Skinner	2004/0049128	A1	3/2004	Miller et al.
6,022,325	A	2/2000	Siczek et al.	2004/0215103	A1	10/2004	Mueller, Jr. et al.
6,050,955	A	4/2000	Bryan et al.	2004/0267157	A1	12/2004	Miller et al.
6,086,544	A	7/2000	Hibner et al.	2005/0004559	A1	1/2005	Quick et al.
6,120,462	A	9/2000	Hibner et al.	2005/0020909	A1	1/2005	Moctezuma de la Barrera et al.
6,142,955	A	11/2000	Farascioni et al.	2005/0027210	A1	2/2005	Miller
6,162,187	A	12/2000	Buzzard et al.	2005/0049489	A1	3/2005	Foerster et al.
6,193,673	B1	2/2001	Viola et al.	2005/0049521	A1	3/2005	Miller et al.
6,273,862	B1	8/2001	Privitera et al.	2005/0080355	A1	4/2005	Mark
6,331,166	B1	12/2001	Burbank et al.	2005/0113715	A1	5/2005	Schwindt et al.
6,358,217	B1	3/2002	Bourassa	2005/0113716	A1	5/2005	Mueller, Jr. et al.
6,402,701	B1	6/2002	Kaplan et al.	2005/0124915	A1	6/2005	Eggers et al.
6,419,641	B1	7/2002	Mark et al.	2005/0165328	A1	7/2005	Heske et al.
6,428,486	B2	8/2002	Ritchart et al.	2005/0193451	A1	9/2005	Quistgaard et al.
6,428,487	B1	8/2002	Burdorff et al.	2005/0203439	A1	9/2005	Heske et al.
6,432,064	B1	8/2002	Hibner et al.	2005/0209530	A1	9/2005	Pflueger
6,482,158	B2	11/2002	Mault	2005/0275378	A1	12/2005	Canino et al.
6,485,436	B1	11/2002	Truckai et al.	2005/0277829	A1	12/2005	Tsonton et al.
				2006/0030784	A1	2/2006	Miller et al.

US D640,977 S

Page 3

2006/0113958 A1	6/2006	Lobert et al.	2008/0208194 A1	8/2008	Bickenbach
2006/0116603 A1	6/2006	Shibazaki et al.	2008/0215056 A1	9/2008	Miller et al.
2006/0129063 A1	6/2006	Thompson et al.	2008/0221443 A1	9/2008	Ritchie et al.
2006/0173377 A1	8/2006	McCullough et al.	2008/0221444 A1	9/2008	Ritchie et al.
2006/0184063 A1	8/2006	Miller	2008/0221478 A1	9/2008	Ritchie et al.
2006/0258956 A1	11/2006	Haberstich et al.	2008/0221479 A1	9/2008	Ritchie et al.
2007/0016101 A1	1/2007	Feldman et al.	2008/0221480 A1	9/2008	Hibner et al.
2007/0027407 A1	2/2007	Miller	2008/0228104 A1	9/2008	Uber et al.
2007/0073326 A1	3/2007	Miller et al.	2008/0232604 A1	9/2008	Dufresne et al.
2007/0090788 A1	4/2007	Hansford et al.	2008/0234715 A1	9/2008	Pesce et al.
2007/0118049 A1	5/2007	Viola	2008/0281225 A1	11/2008	Spero et al.
2007/0149894 A1	6/2007	Heske et al.	2008/0287826 A1	11/2008	Videbaek et al.
2007/0161925 A1	7/2007	Quick et al.	2008/0306406 A1	12/2008	Thompson et al.
2007/0167782 A1	7/2007	Callahan et al.	2008/0319341 A1	12/2008	Taylor et al.
2007/0213590 A1	9/2007	Squicciarini	2009/0030405 A1	1/2009	Quick et al.
2007/0213630 A1	9/2007	Beckman et al.	2009/0062624 A1	3/2009	Neville
2007/0213632 A1	9/2007	Okazaki et al.	2009/0082695 A1	3/2009	Whitehead
2007/0236180 A1	10/2007	Rodgers	2009/0125062 A1	5/2009	Arnin
2007/0239067 A1	10/2007	Hibner et al.	2009/0227893 A1	9/2009	Coonahan et al.
2007/0255173 A1	11/2007	Hibner	2010/0106053 A1	4/2010	Videbaek et al.
2007/0276288 A1	11/2007	Khaw	2010/0210966 A1	8/2010	Videbaek
2007/0287933 A1	12/2007	Phan et al.			
2007/0293788 A1	12/2007	Entrekin et al.			
2008/0004545 A1	1/2008	Garrison			
2008/0007217 A1	1/2008	Riley			
2008/0015429 A1	1/2008	Tsonton et al.			
2008/0021487 A1	1/2008	Heisler			
2008/0021488 A1	1/2008	Berberich			
2008/0030170 A1	2/2008	Dacquay et al.			
2008/0064925 A1	3/2008	Gill et al.			
2008/0064984 A1	3/2008	Pflueger			
2008/0071193 A1	3/2008	Reuber et al.			
2008/0079391 A1	4/2008	Schroeck et al.			
2008/0110261 A1	5/2008	Randall et al.			
2008/0135443 A1	6/2008	Frojd et al.			
2008/0146962 A1	6/2008	Ritchie et al.			
2008/0154151 A1	6/2008	Ritchart et al.			
2008/0161682 A1	7/2008	Kendrick et al.			
2008/0161718 A1	7/2008	Schwindt			
2008/0161720 A1	7/2008	Nicoson et al.			
2008/0183099 A1	7/2008	Jorgensen et al.			
2008/0195066 A1	8/2008	Speeg et al.			
2008/0200833 A1	8/2008	Hardin et al.			
2008/0200836 A1	8/2008	Speeg et al.			

FOREIGN PATENT DOCUMENTS

DE	10026303 A1	2/2002
DE	10235480 A1	2/2004
EP	0995400 A1	4/2000
EP	1520518 A2	4/2005
FR	1345429 A	12/1963
FR	2739293 A1	4/1997
GB	2018601 A	10/1979
WO	9624289 A2	8/1996
WO	9835615 A1	8/1998
WO	9846290 A1	10/1998
WO	9933501 A1	7/1999
WO	0222023 A1	3/2002
WO	02069808 A2	9/2002
WO	2006015302 A1	2/2006
WO	2007112751 A2	10/2007
WO	2008021687 A1	2/2008
WO	2008024684 A2	2/2008
WO	2008040812 A1	4/2008

* cited by examiner

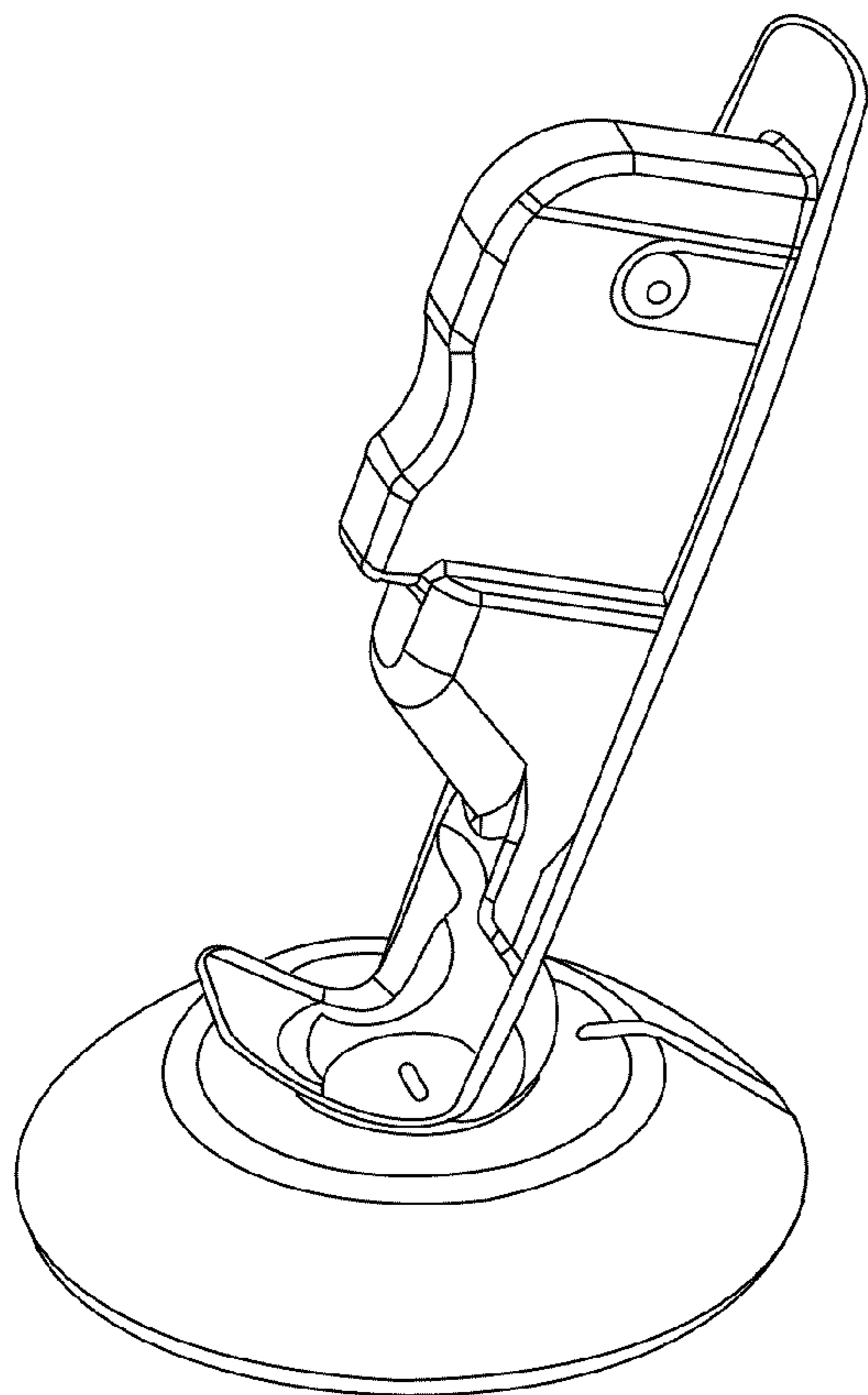


Fig. 1

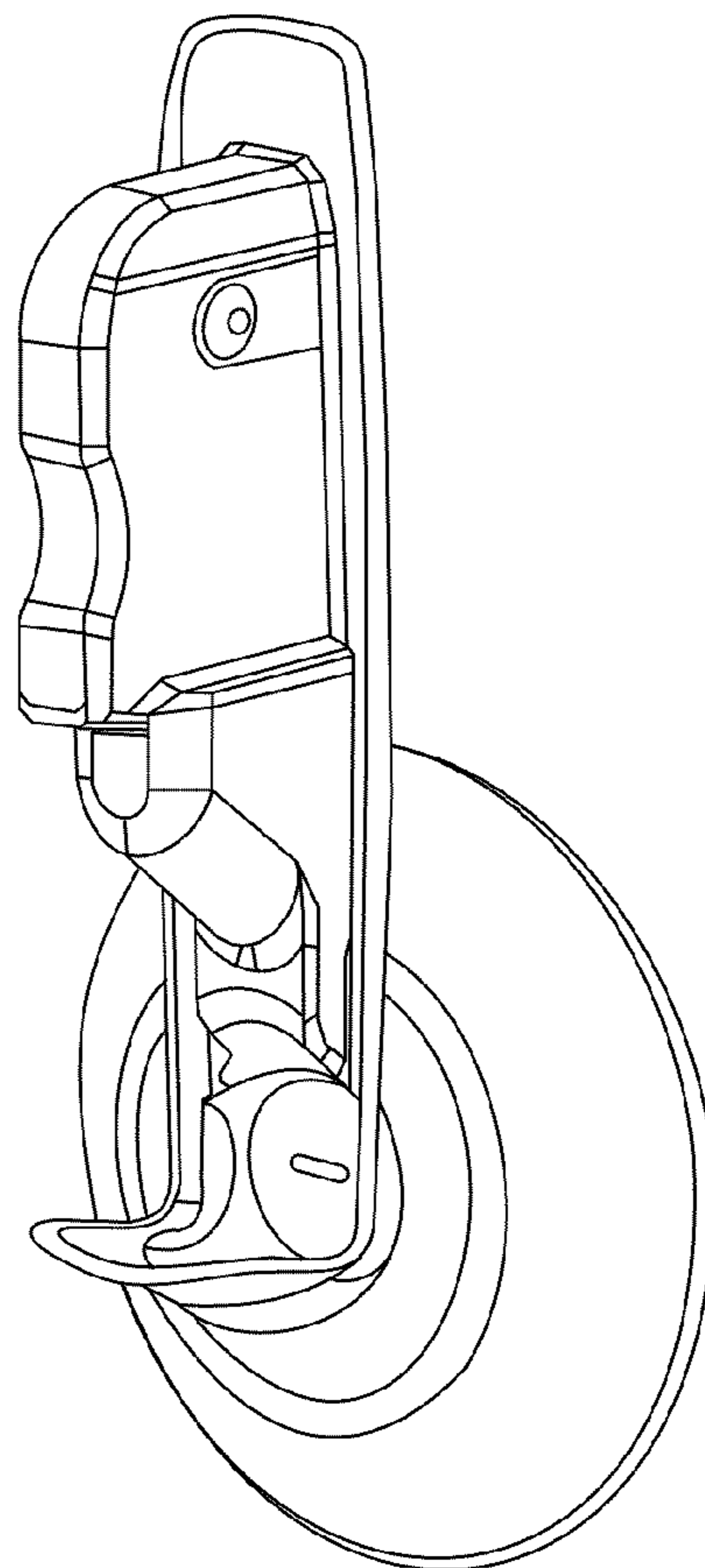


Fig. 2

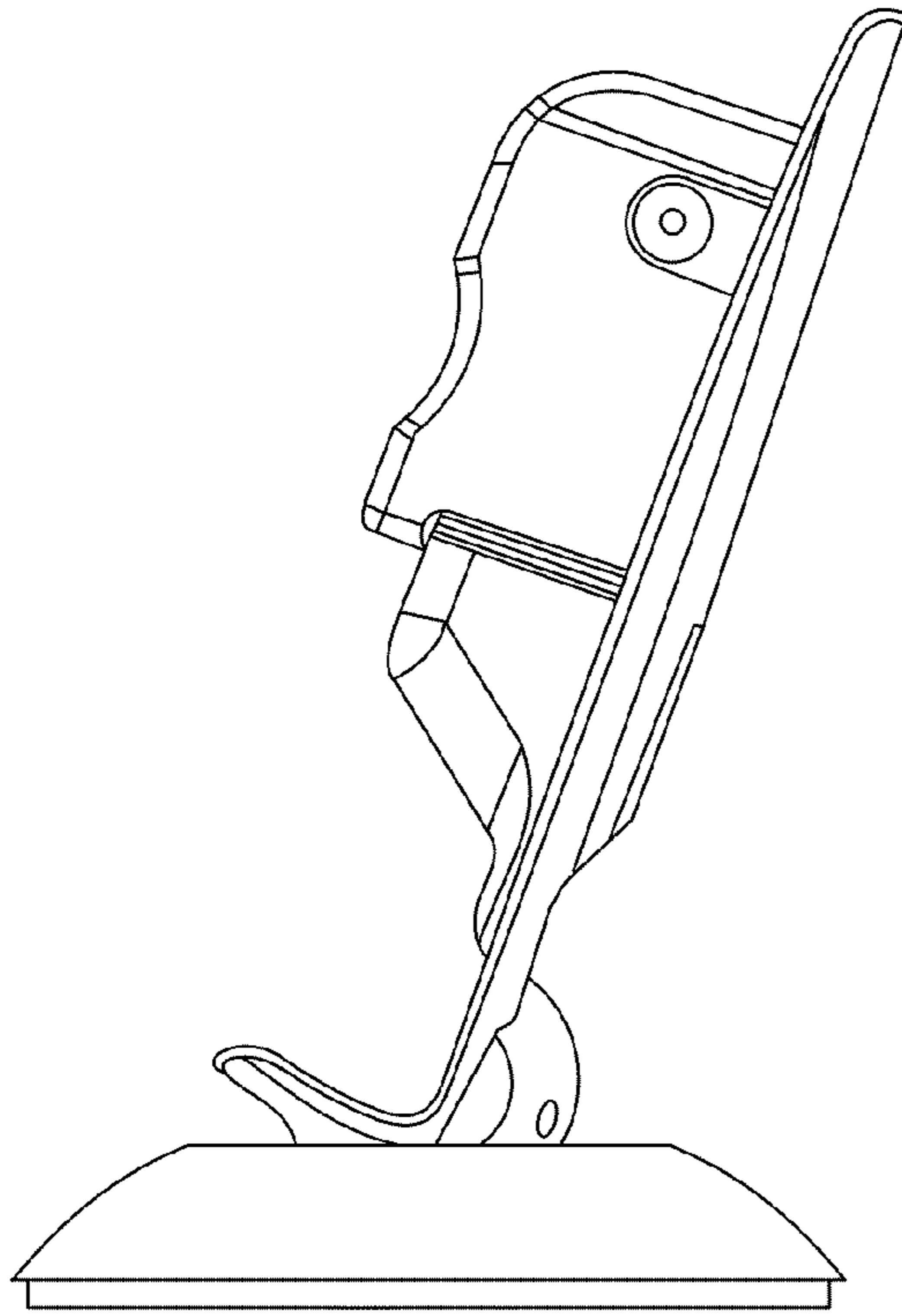


Fig. 3

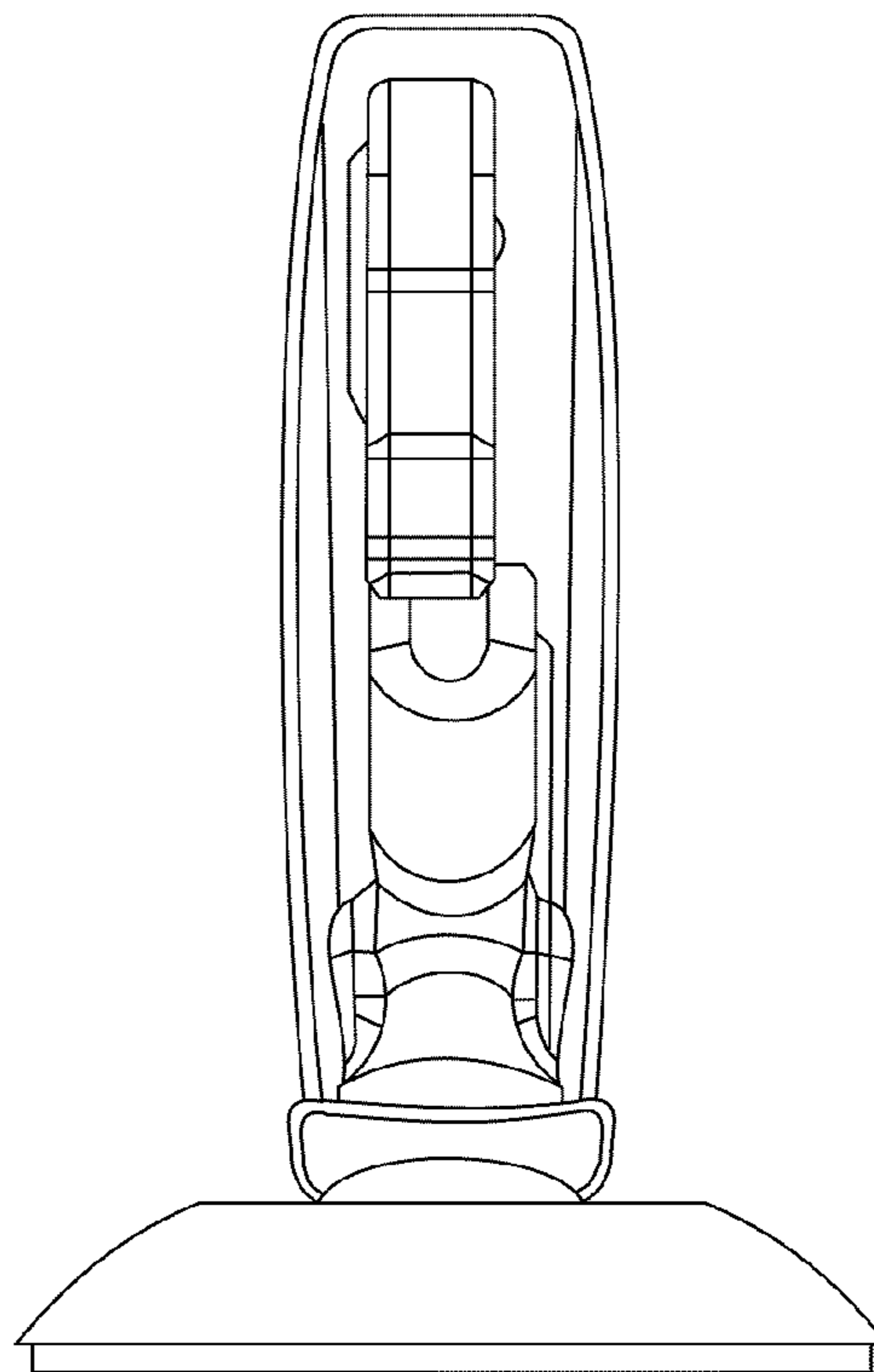


Fig. 4

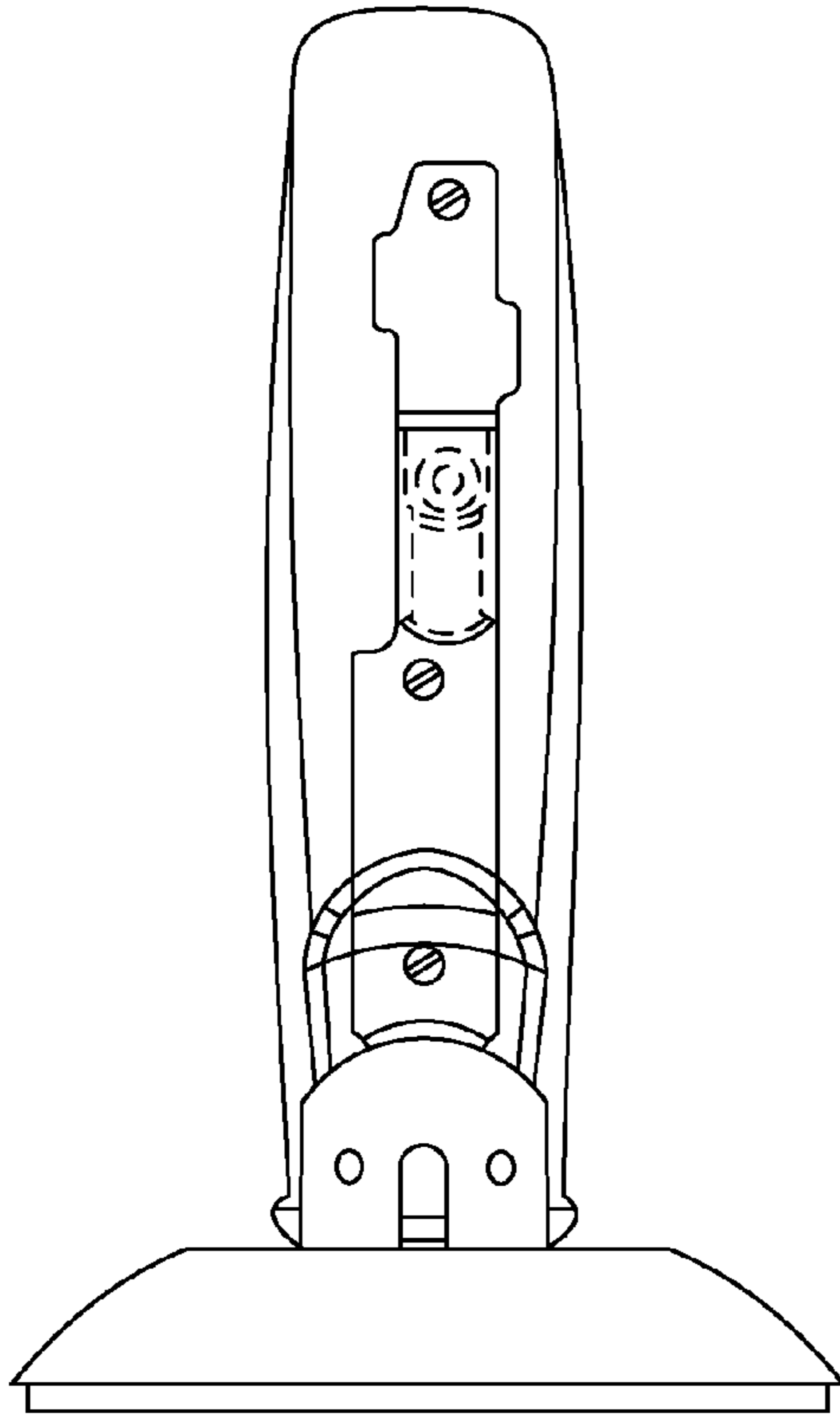


Fig. 5

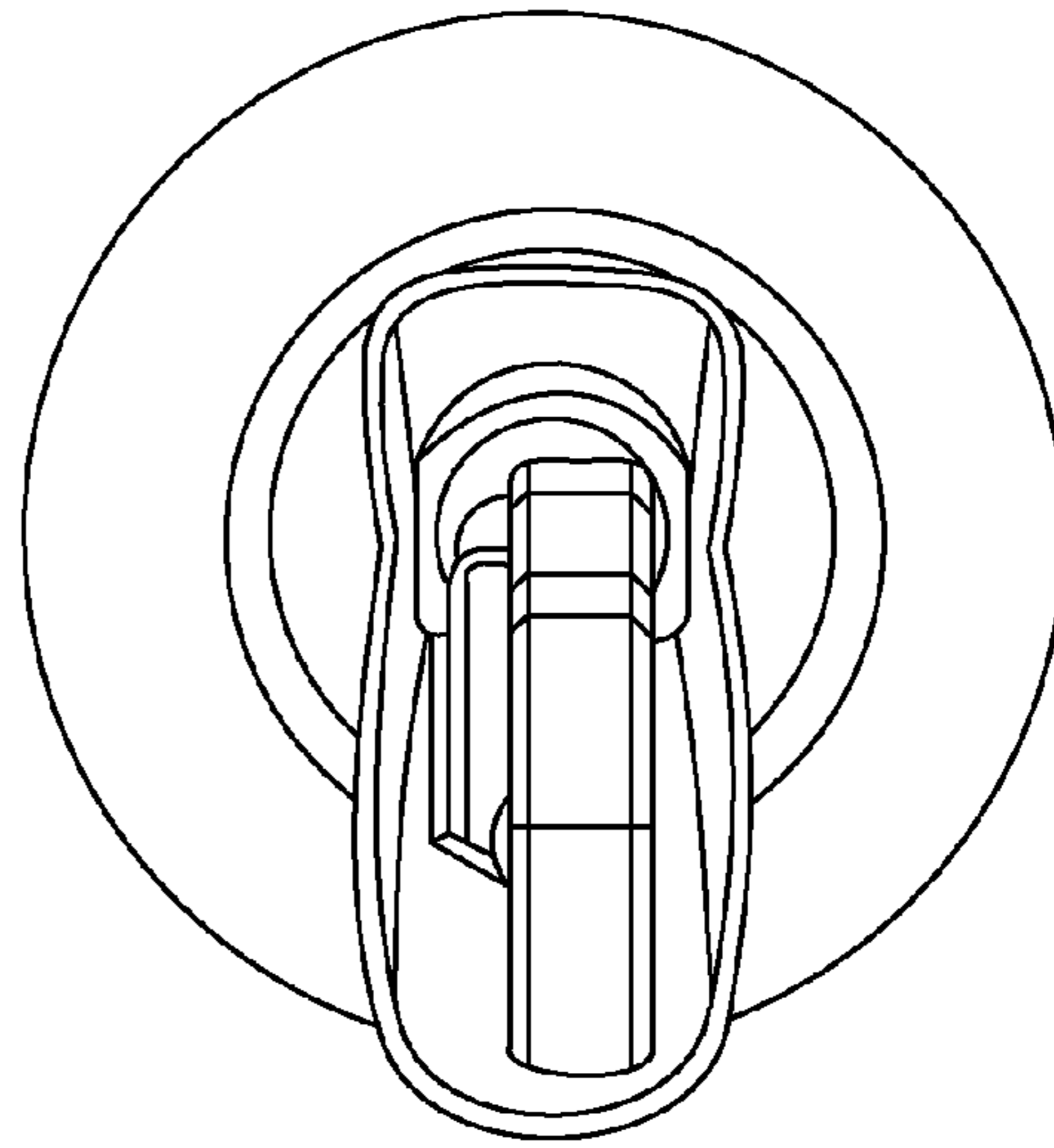


Fig. 6

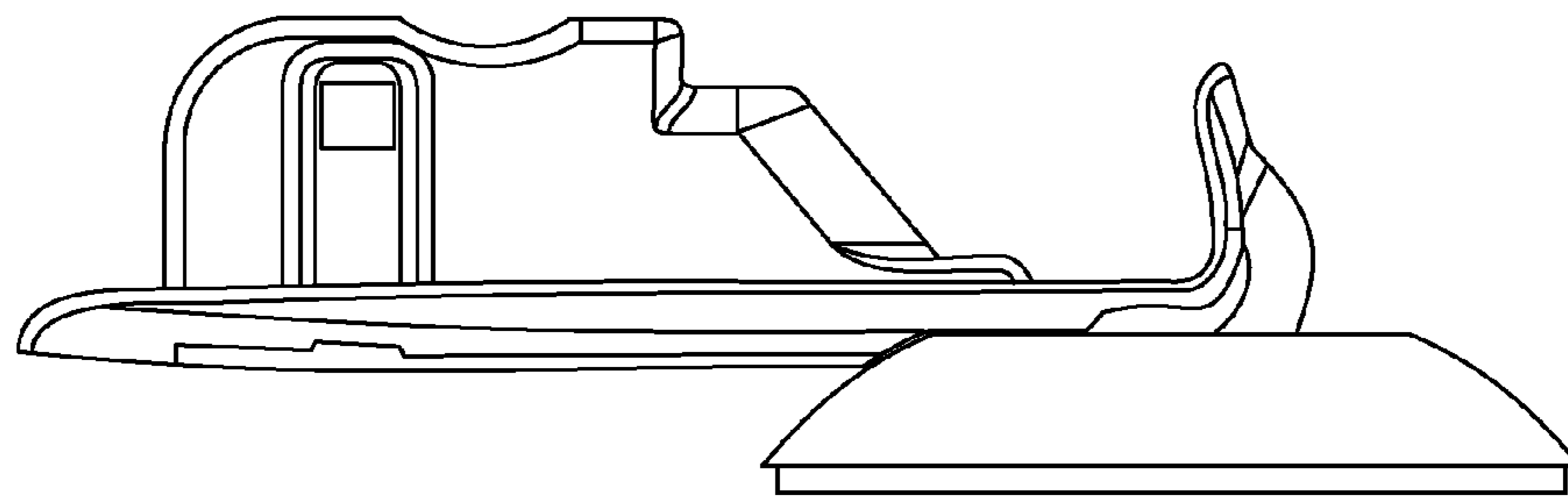


Fig. 7

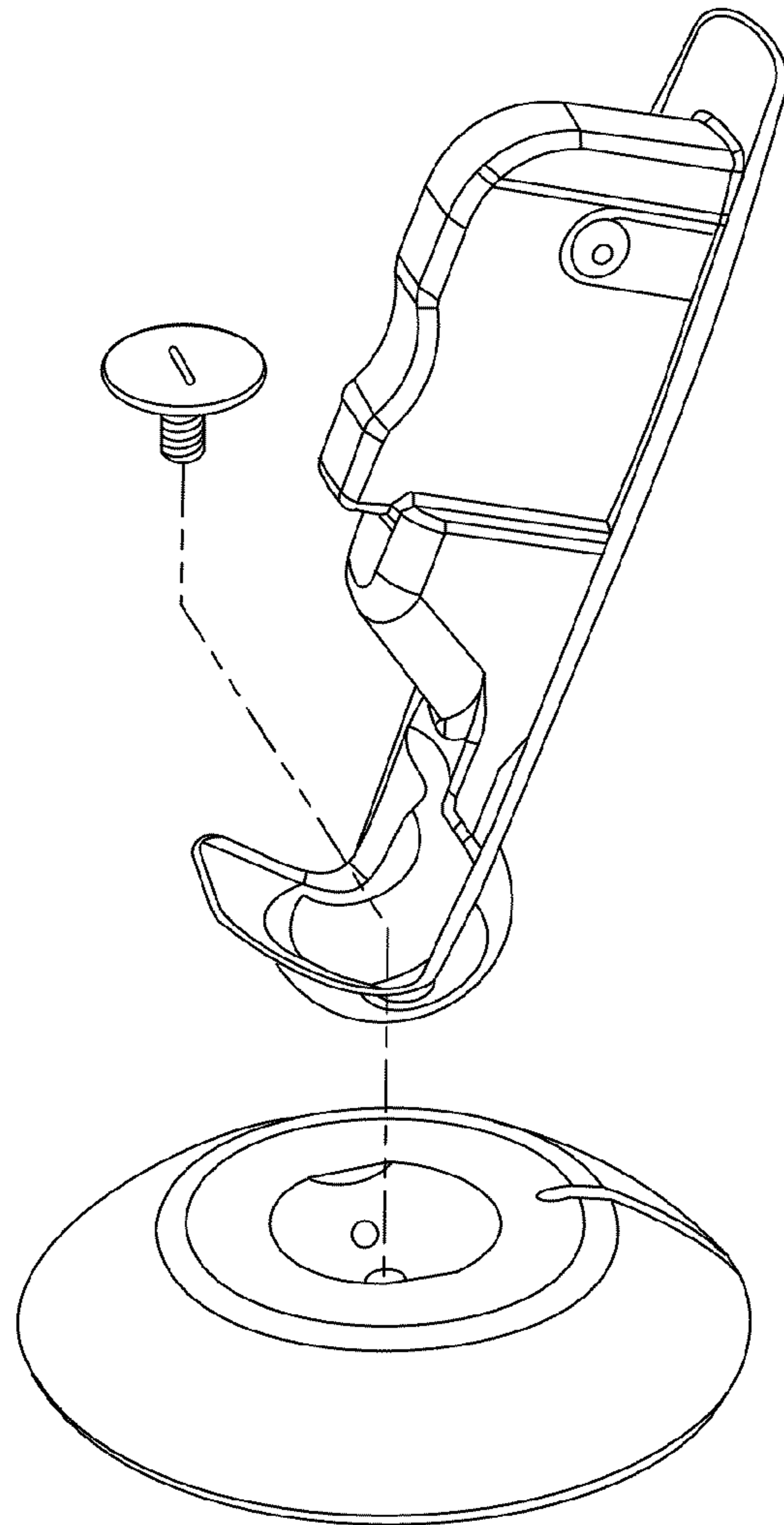


Fig. 8

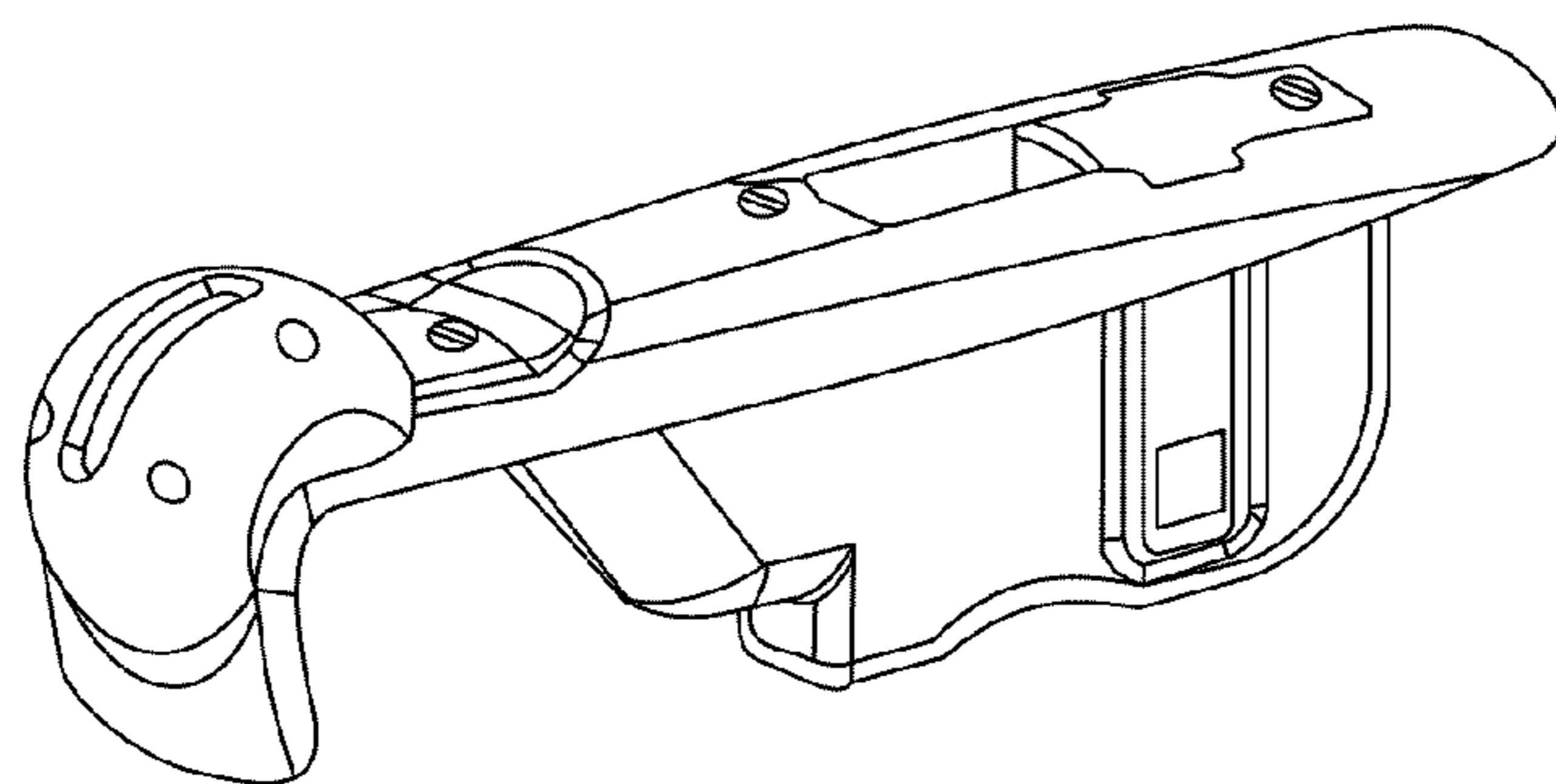


Fig. 9

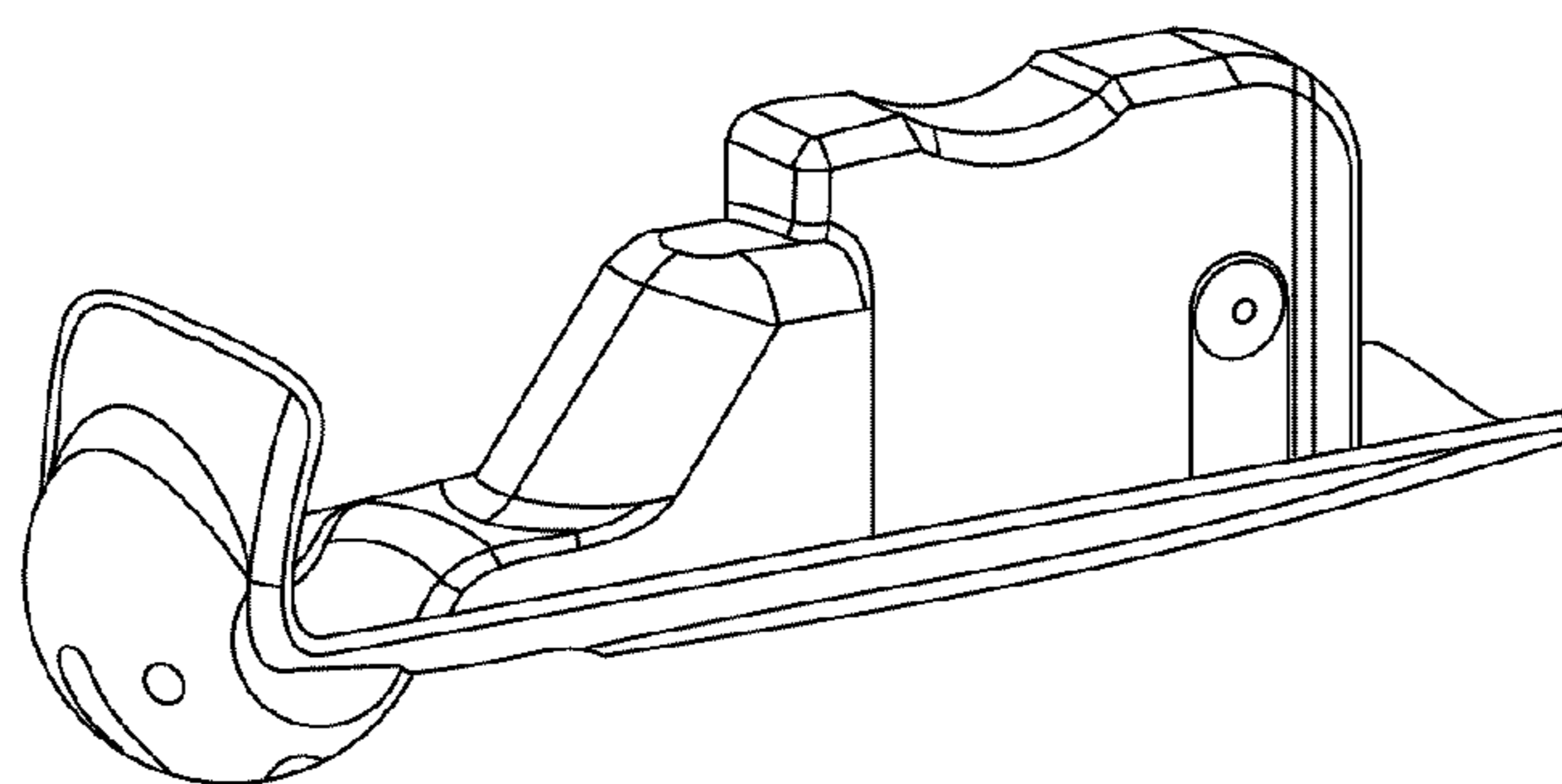


Fig. 10

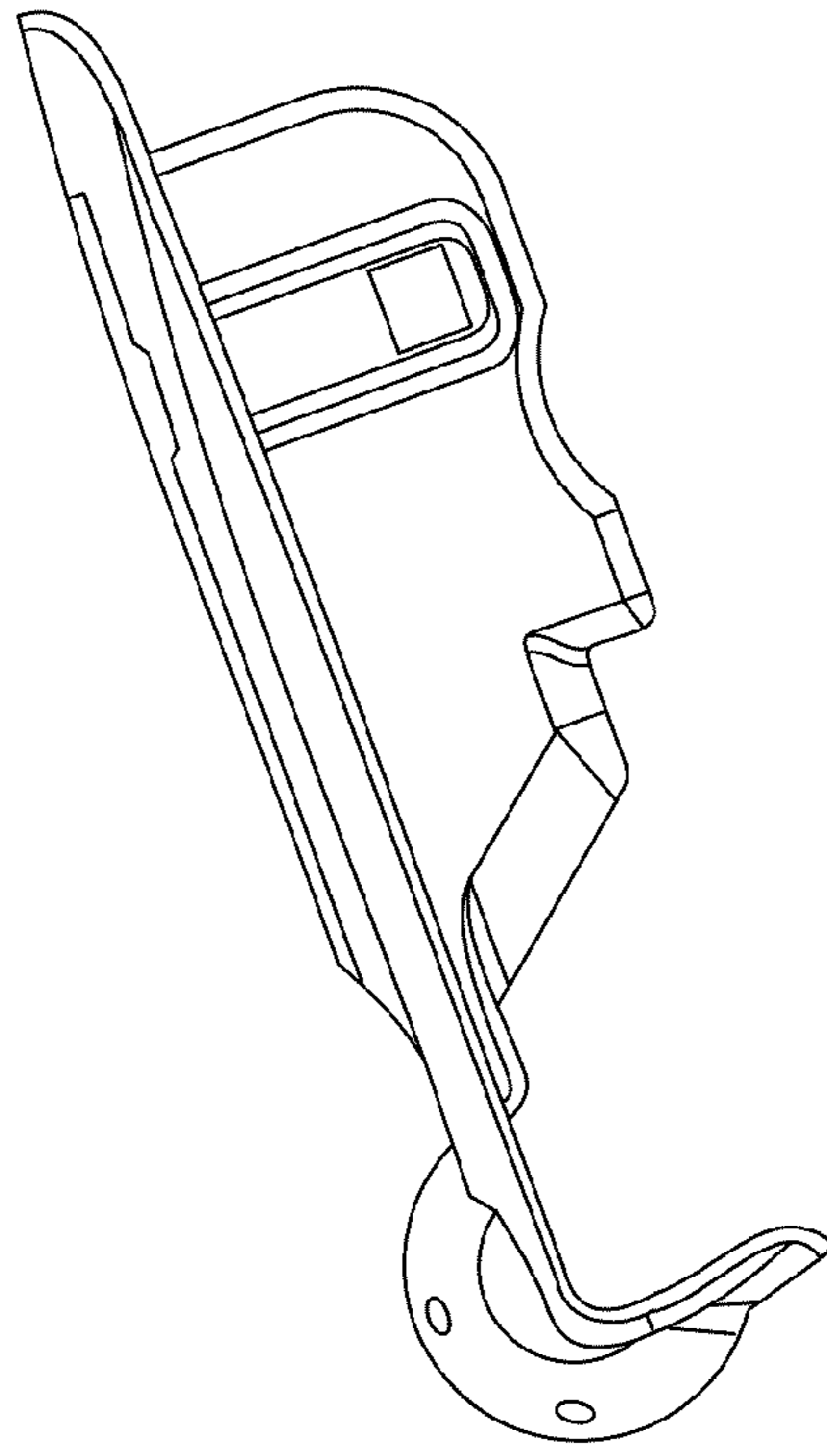


Fig. 11

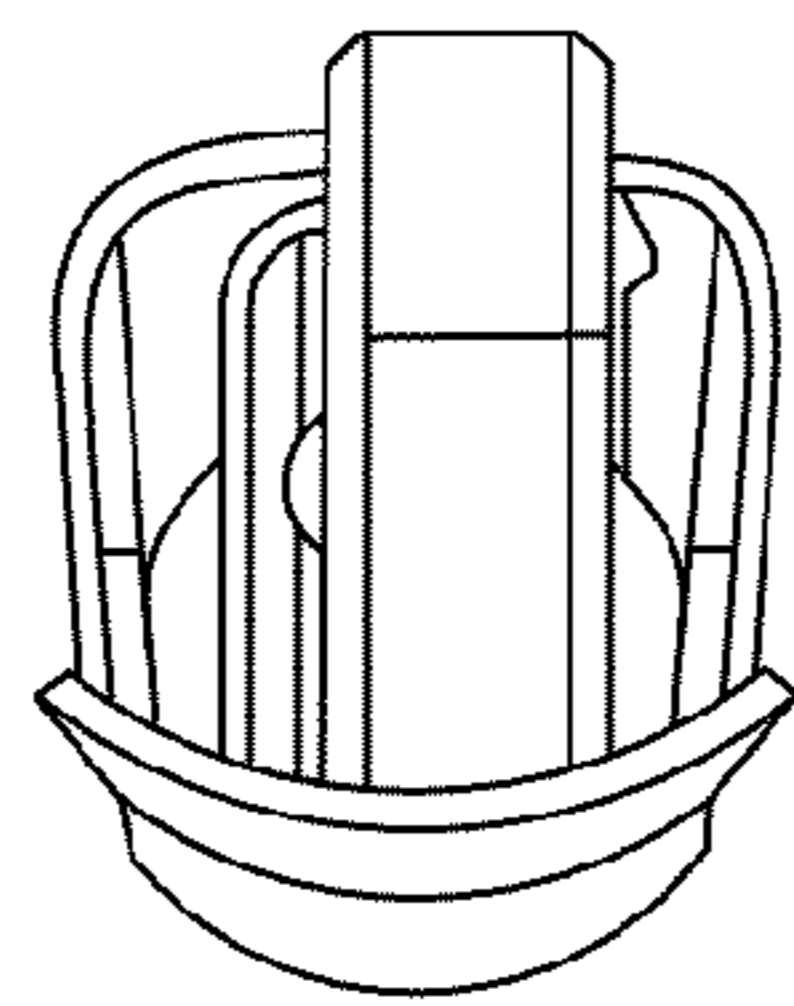


Fig. 12