



US00D640976S

(12) **United States Design Patent**
Matsuoka

(10) **Patent No.:** **US D640,976 S**
(45) **Date of Patent:** **** Jul. 5, 2011**

(54) **SUPPORT STRUCTURE AND/OR CRADLE FOR A MOBILE COMPUTING DEVICE**

Primary Examiner — Rosemary K Tarca

(75) Inventor: **Yoshimichi Matsuoka**, Cupertino, CA (US)

(57) **CLAIM**

The ornamental design for a support structure and/or cradle for a mobile computing device, as shown and described.

(73) Assignee: **Hewlett-Packard Development Company, L.P.**, Houston, TX (US)

(**) Term: **14 Years**

DESCRIPTION

(21) Appl. No.: **29/323,688**

(22) Filed: **Aug. 28, 2008**

(51) **LOC (9) Cl.** **13-02**

(52) **U.S. Cl.** **D13/108**

(58) **Field of Classification Search** D13/107–110, D13/118–119, 174, 184, 199; D14/251, D14/253, 432, 434, 240, 217, 229; 320/107–115
See application file for complete search history.

FIG. 1 is a front isometric view depicting a mating façade of a support structure and/or cradle for a mobile computing device, under a first embodiment;

FIG. 2 is a bottom isometric view of the support structure and/or cradle of FIG. 1;

FIG. 3 is a frontal view of the support structure and/or cradle of FIG. 1;

FIG. 4 is a rearward view of the support structure and/or cradle of FIG. 1;

FIG. 5 is a first side view of the support structure and/or cradle of FIG. 1;

FIG. 6 is a second side view of the support structure and/or cradle of FIG. 1;

FIG. 7 is a top view depicting the mating façade of the support structure and/or cradle;

FIG. 8 is a bottom view depicting of the support structure and/or cradle;

FIG. 9 is a front isometric view depicting a mating façade of a support structure and/or cradle for a mobile computing device having a notched body, under a second embodiment;

FIG. 10 is a side view of a portion of the body containing the notch, under the second embodiment; and,

FIG. 11 illustrates the support structure and/or cradle of the first or second embodiment, with a representative mobile computing device shown provided thereon in phantom to occupy any one of multiple possible positions, the mobile computing device being capable of being supported and/or being placed in communication to receive data and/or power from the support structure and/or cradle.

The broken-line showing of the power supply adapter in any figure is for illustrative purposes only and forms no part of the embodiment depicted.

(56) **References Cited**

U.S. PATENT DOCUMENTS

D57,213	S	*	3/1921	Curren	D14/251
D96,018	S	*	6/1935	Cannon	D14/251
D221,081	S	*	7/1971	Kain	D13/110
5,375,226	A		12/1994	Sano et al.		
5,455,466	A		10/1995	Parks et al.		
5,596,567	A		1/1997	de Muro et al.		
5,600,225	A		2/1997	Goto		
5,604,666	A	*	2/1997	Yoshizawa	361/735
5,666,530	A		9/1997	Clark et al.		
5,733,313	A		3/1998	Barreras et al.		
5,760,580	A		6/1998	Tyren		

(Continued)

FOREIGN PATENT DOCUMENTS

CN 1592197 A 3/2005

(Continued)

OTHER PUBLICATIONS

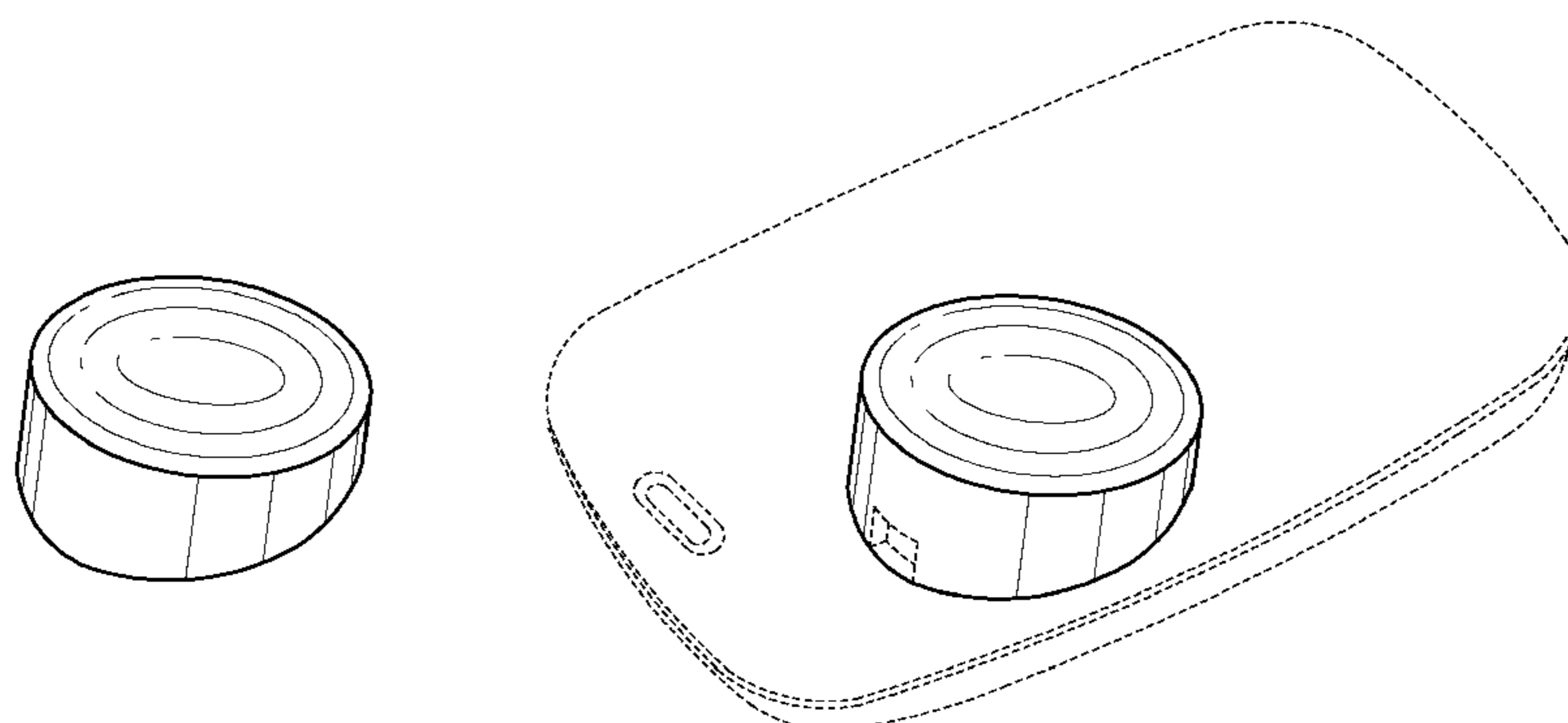
U.S. Appl. No. 12/916,388, filed Oct. 29, 2010, Chatterjee et al.

U.S. Appl. No. 12/975,335, filed Dec. 21, 2010, Oh et al.

U.S. Appl. No. 12/987,940, filed Jan. 10, 2011, Chatterjee et al.

(Continued)

1 Claim, 3 Drawing Sheets



US D640,976 S

Page 2

U.S. PATENT DOCUMENTS

5,831,348 A 11/1998 Nishizawa
 5,903,133 A * 5/1999 Amero et al. 320/107
 5,958,051 A 9/1999 Renaud et al.
 6,006,274 A 12/1999 Hawkins et al.
 D420,973 S * 2/2000 Kalarney D13/102
 6,138,245 A 10/2000 Son et al.
 6,184,651 B1 2/2001 Fernandez et al.
 D442,921 S * 5/2001 Bonn D13/174
 6,266,539 B1 7/2001 Pardo
 6,330,436 B1 12/2001 Zidel
 6,389,423 B1 5/2002 Sakakura
 6,405,049 B2 6/2002 Herrod et al.
 D461,813 S * 8/2002 Chang D14/432
 6,436,299 B1 8/2002 Baarman et al.
 6,445,936 B1 9/2002 Cannon et al.
 D464,934 S * 10/2002 Chen D13/110
 6,501,364 B1 12/2002 Hui et al.
 6,510,424 B1 1/2003 Ford et al.
 6,532,152 B1 3/2003 White et al.
 6,673,250 B2 1/2004 Kuennen et al.
 6,731,071 B2 5/2004 Baarman
 6,795,110 B1 9/2004 Kossin
 6,803,744 B1 10/2004 Sabo
 6,806,649 B2 10/2004 Mollema et al.
 6,810,405 B1 10/2004 LaRue et al.
 6,812,645 B2 11/2004 Baarman
 6,825,620 B2 11/2004 Kuennen et al.
 6,831,417 B2 12/2004 Baarman
 6,888,438 B2 5/2005 Hui et al.
 6,917,163 B2 7/2005 Baarman
 6,975,198 B2 12/2005 Baarman et al.
 6,986,051 B2 1/2006 Le Pennec et al.
 D519,942 S * 5/2006 Krozack et al. D13/174
 D521,927 S * 5/2006 Franck et al. D13/108
 7,065,658 B1 6/2006 Baraban et al.
 D524,282 S * 7/2006 Beasley et al. D14/149
 D527,704 S * 9/2006 Rodarte D13/108
 7,116,200 B2 10/2006 Baarman et al.
 7,118,240 B2 10/2006 Baarman et al.
 7,126,450 B2 10/2006 Baarman et al.
 7,132,918 B2 11/2006 Baarman et al.
 7,149,473 B1 12/2006 Lindlar et al.
 7,164,255 B2 1/2007 Hui
 D542,279 S * 5/2007 Chan D14/216
 D546,280 S * 7/2007 Marchetto et al. D13/107
 7,248,017 B2 7/2007 Cheng et al.
 7,262,700 B2 8/2007 Hsu
 7,271,569 B2 9/2007 Oglesbee
 7,286,880 B2 10/2007 Olson et al.
 D558,209 S * 12/2007 Ikeda et al. D14/434
 D562,224 S * 2/2008 Bonnaud D13/102
 7,331,793 B2 2/2008 Hernandez et al.
 7,375,492 B2 5/2008 Calhoon et al.
 7,382,636 B2 6/2008 Baarman et al.
 7,385,357 B2 6/2008 Kuennen et al.
 7,392,059 B2 6/2008 White et al.
 D575,289 S * 8/2008 Kuo et al. D14/434
 7,414,380 B2 8/2008 Tang et al.
 D578,061 S * 10/2008 Kristensen D13/110
 D580,855 S * 11/2008 Haspil et al. D13/108
 7,446,672 B2 11/2008 Johnson et al.
 7,454,170 B2 11/2008 Goossens et al.
 7,462,951 B1 12/2008 Baarman
 7,471,986 B2 12/2008 Hatlestad
 D585,898 S * 2/2009 Skurdal D14/434
 7,495,414 B2 2/2009 Hui
 7,521,890 B2 4/2009 Lee et al.
 D594,404 S * 6/2009 Kuo et al. D13/107
 7,576,514 B2 8/2009 Hui
 D600,680 S * 9/2009 Mead et al. D14/217
 D602,858 S * 10/2009 Ellis et al. D13/108
 7,743,151 B2 6/2010 Vallapureddy et al.
 D620,884 S * 8/2010 Lee et al. D13/108
 D628,960 S * 12/2010 Shimizu et al. D13/107
 2002/0084698 A1 7/2002 Kelly et al.
 2002/0103008 A1 8/2002 Rahn et al.
 2003/0214255 A1 11/2003 Baarman et al.
 2003/0233455 A1 12/2003 Leber et al.

2004/0088012 A1 5/2004 Kroll et al.
 2004/0130915 A1 7/2004 Baarman
 2004/0130916 A1 7/2004 Baarman
 2004/0150934 A1 8/2004 Baarman
 2004/0222751 A1 11/2004 Mollema et al.
 2004/0232845 A1 11/2004 Baarman et al.
 2004/0259499 A1 12/2004 Oba et al.
 2005/0007067 A1 1/2005 Baarman et al.
 2005/0093475 A1 5/2005 Kuennen et al.
 2005/0116650 A1 6/2005 Baarman
 2005/0122058 A1 6/2005 Baarman et al.
 2005/0122059 A1 6/2005 Baarman et al.
 2005/0127849 A1 6/2005 Baarman et al.
 2005/0127850 A1 6/2005 Baarman et al.
 2006/0041420 A1 2/2006 Martin et al.
 2006/0061958 A1 3/2006 Solomon et al.
 2006/0123055 A1 6/2006 Atkinson et al.
 2006/0132045 A1 6/2006 Baarman
 2007/0035917 A1 2/2007 Hotelling et al.
 2007/0064406 A1 3/2007 Beart
 2007/0120752 A1 5/2007 Takasu
 2007/0182367 A1 8/2007 Partovi
 2007/0188284 A1 8/2007 Dobbs
 2007/0246546 A1 10/2007 Yoshida
 2007/0290654 A1 12/2007 Govari et al.
 2008/0133918 A1 6/2008 You et al.
 2008/0196086 A1 8/2008 Shintani et al.
 2008/0231537 A1 9/2008 Rofougaran et al.
 2008/0278894 A1 11/2008 Chen et al.
 2009/0001932 A1 1/2009 Kamijo et al.
 2009/0001941 A1 1/2009 Hsu et al.
 2009/0008148 A1 1/2009 Mashino
 2009/0069869 A1 3/2009 Stouffer et al.
 2009/0088077 A1 4/2009 Brown et al.
 2009/0106567 A1 4/2009 Baarman
 2009/0170433 A1 7/2009 Rhodes et al.
 2009/0212637 A1 8/2009 Baarman et al.
 2009/0212737 A1 8/2009 Johnson et al.
 2010/0007449 A1 1/2010 Tait et al.
 2010/0021176 A1 1/2010 Holcombe et al.
 2010/0045269 A1 2/2010 Lafranchise et al.
 2010/0070219 A1 3/2010 Azancot et al.
 2010/0076524 A1 3/2010 Forsberg et al.
 2010/0081377 A1 4/2010 Chatterjee et al.
 2010/0081473 A1 4/2010 Chatterjee et al.
 2010/0081483 A1 4/2010 Chatterjee et al.
 2010/0083012 A1 4/2010 Corbridge et al.
 2010/0121965 A1 5/2010 Chatterjee
 2010/0131691 A1 5/2010 Chatterjee et al.
 2010/0146308 A1 6/2010 Gioscia et al.
 2010/0156193 A1 6/2010 Rhodes et al.
 2010/0172090 A1 7/2010 Chatterjee
 2010/0177476 A1 7/2010 Hotelling et al.
 2010/0194336 A1 8/2010 Azancot et al.
 2010/0207576 A1 * 8/2010 Elizalde Rodarte 320/115

FOREIGN PATENT DOCUMENTS

EP 395469 A2 10/1990
 FR 2601161 A1 1/1988
 GB 2389720 B 9/2005
 GB 2399466 B 11/2005
 GB 2389767 B 4/2006
 JP 09-259241 A 10/1997
 JP 11-354348 A 12/1999
 JP 3161388 B2 2/2001
 KR 10-0836634 B1 6/2008
 WO WO 95/003686 A1 2/1995
 WO WO 2005/024865 A2 3/1995
 WO WO 2004/098079 A1 11/2004
 WO WO 2008/033670 A2 3/2008
 WO WO 2008/044875 A1 4/2008
 WO WO 2008/133806 A1 11/2008
 WO WO 2009/057771 A1 5/2009
 WO WO 2010/005324 A1 1/2010
 WO WO 2010/062198 A1 6/2010
 WO WO 2010/068062 A2 6/2010
 WO WO 2010/068062 A3 7/2010
 WO WO 2010/091269 A1 8/2010

OTHER PUBLICATIONS

- Non-Final Office Action mailed Nov. 3, 2010 in U.S. Appl. No. 12/478,616, 12 pgs.
- U.S. Appl. No. 11/430,786, filed May 8, 2006, Baraban et al.
- U.S. Appl. No. 12/628,401, filed Dec. 1, 2009, Chatterjee.
- U.S. Appl. No. 12/840,241, filed Jul. 20, 2010, Chatterjee.
- U.S. Appl. No. 12/841,001, filed Jul. 21, 2010, Chatterjee.
- Final Office Action mailed Jul. 19, 2010 in U.S. Appl. No. 11/430,786.
- Final Office Action mailed Jul. 9, 2007 in U.S. Appl. No. 11/430,786.
- Final Office Action mailed Jan. 8, 2009 in U.S. Appl. No. 11/430,786.
- Final Office Action mailed Dec. 30, 2009 in U.S. Appl. No. 11/430,786.
- Final Office Action mailed Oct. 25, 2004 in U.S. Appl. No. 09/861,658, 10 pgs.
- Hui et al., "A New Generation of Universal Contactless Battery Charging Platform for Portable Consumer Electronic Equipment," IEEE Trans Power Electronics, 20(3):620-627 (2005).
- International Search Report and Written Opinion dated Apr. 20, 2010 in International Application No. PCT/US2009/055928.
- International Search Report and Written Opinion dated Jul. 21, 2010 in International Application No. PCT/US2009/068328.
- International Search Report and Written Opinion dated Jul. 28, 2010 in International Application No. PCT/US2009/068332.
- International Search Report and Written Opinion dated Aug. 20, 2010 in International Application No. PCT/US2009/069847.
- International Search Report and Written Opinion dated Aug. 31, 2010 in International Application No. PCT/US2010/020054.
- Kean, Steven, "Powermat Portable Wireless Charging Mat", pp. 1-12 downloaded from http://www.bigbruin.com/content/powermat_1 on Sep. 29, 2010.
- Liang et al., "An implantable bi-directional wireless transmission system for transcutaneous biological signal recording," Physiol. Meas. 26:83-97 (2005).
- Mel B. W. et al., "Tablet: Personal Computer in the Year 2000", Communications of the Association for Computing machinery, New York, NY vol. 31, No. 6, Jun. 1, 1988, 639-646 XP000047633ISSN: 0001-0782.
- Non-Final Office Action mailed Apr. 22, 2004 in U.S. Appl. No. 09/861,658, 7 pgs.
- Non-Final Office Action mailed Jun. 11, 2009 in U.S. Appl. No. 11/430,786.
- Non-Final Office Action mailed Jul. 25, 2008 in U.S. Appl. No. 11/430,786.
- Non-Final Office Action mailed Jan. 25, 2008 in U.S. Appl. No. 11/430,786.
- Non-Final Office Action mailed Oct. 5, 2006 in U.S. Appl. No. 11/430,786.
- Non-Final Office Action mailed Sep. 30, 2010 in U.S. Appl. No. 11/430,786, 7 pgs.
- Non-Final Office Action mailed Apr. 7, 2005 in U.S. Appl. No. 09/861,658, 11 pgs.
- Non-Final Office Action mailed Mar. 24, 2010 in U.S. Appl. No. 11/430,786.
- Notice of Allowance mailed Jan. 9, 2006 in U.S. Appl. No. 09/861,658, 12 pgs.
- Opticon Users manual DWT 7133, Nov. 2000.

* cited by examiner

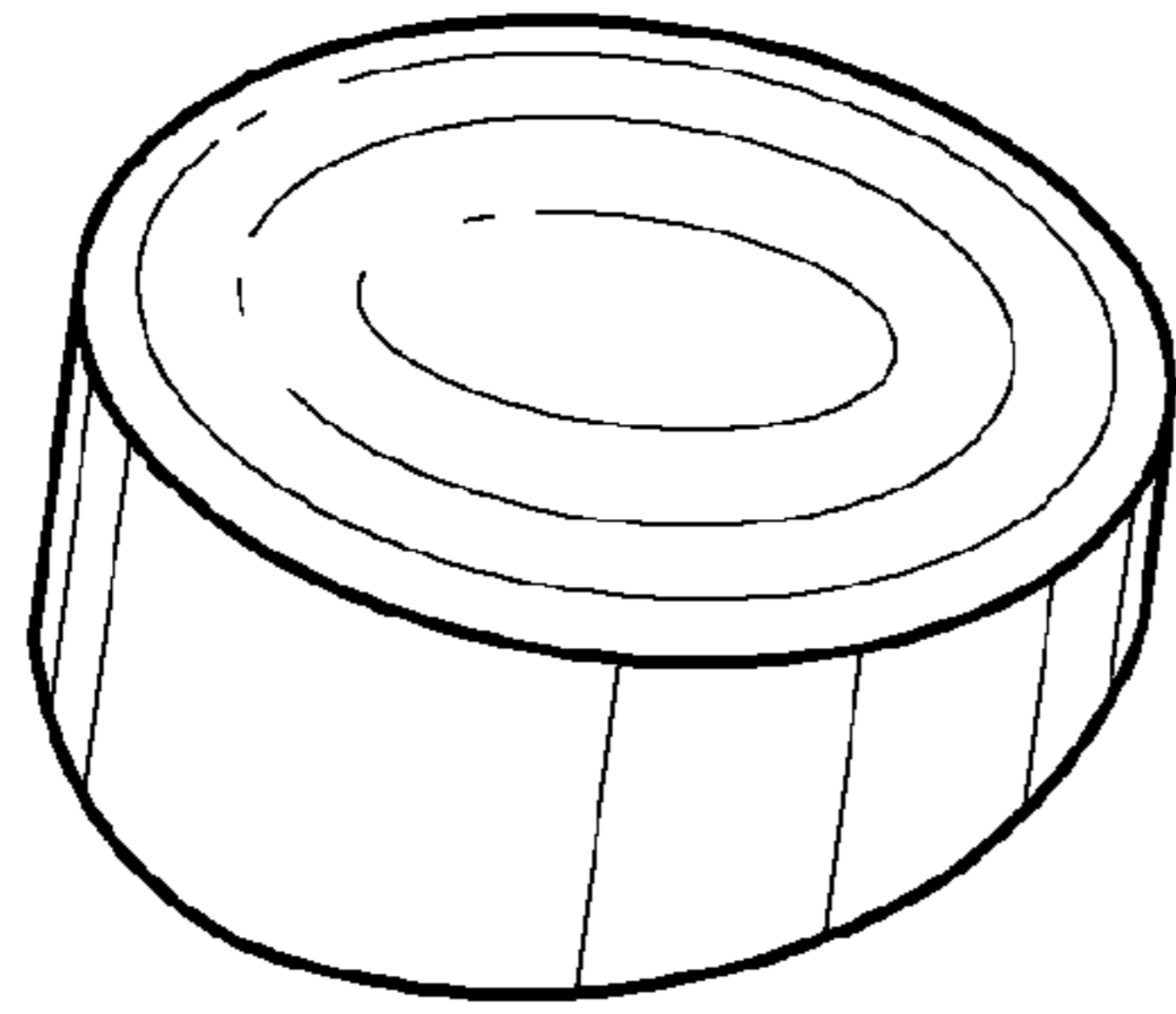


FIG.1

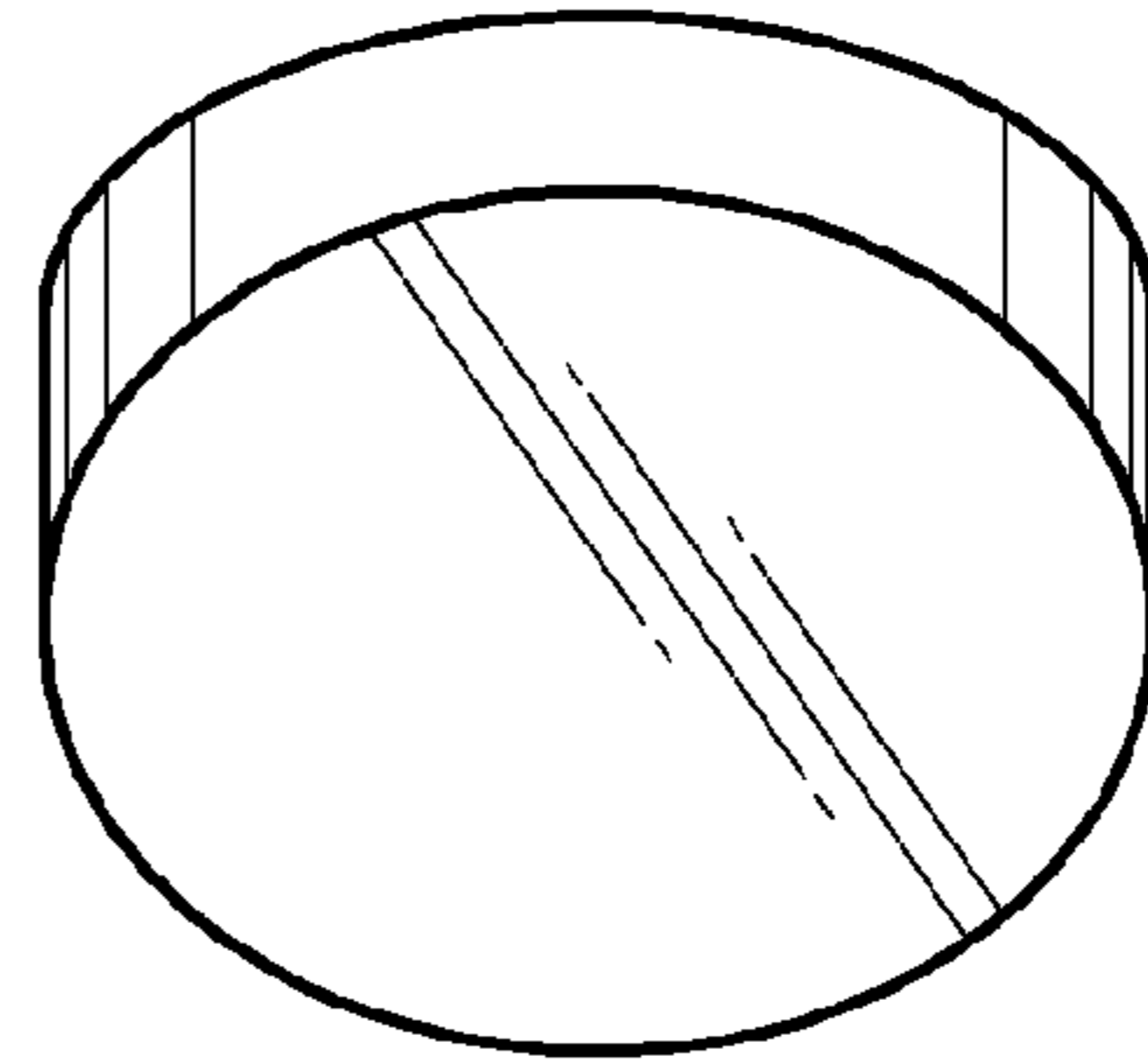


FIG.2

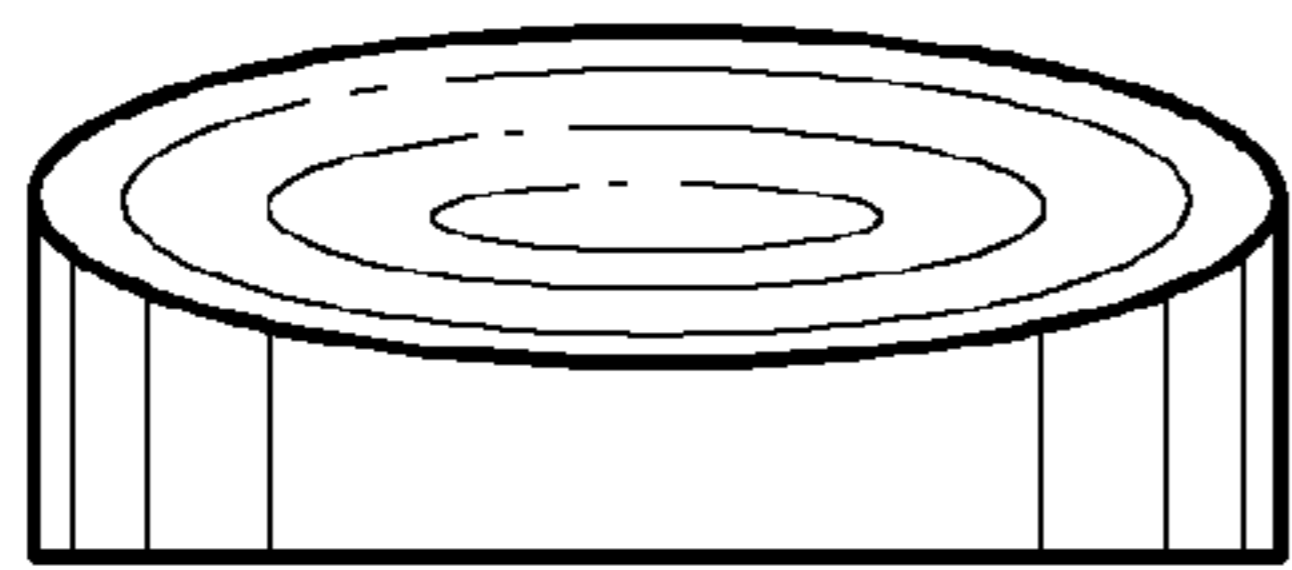


FIG.3

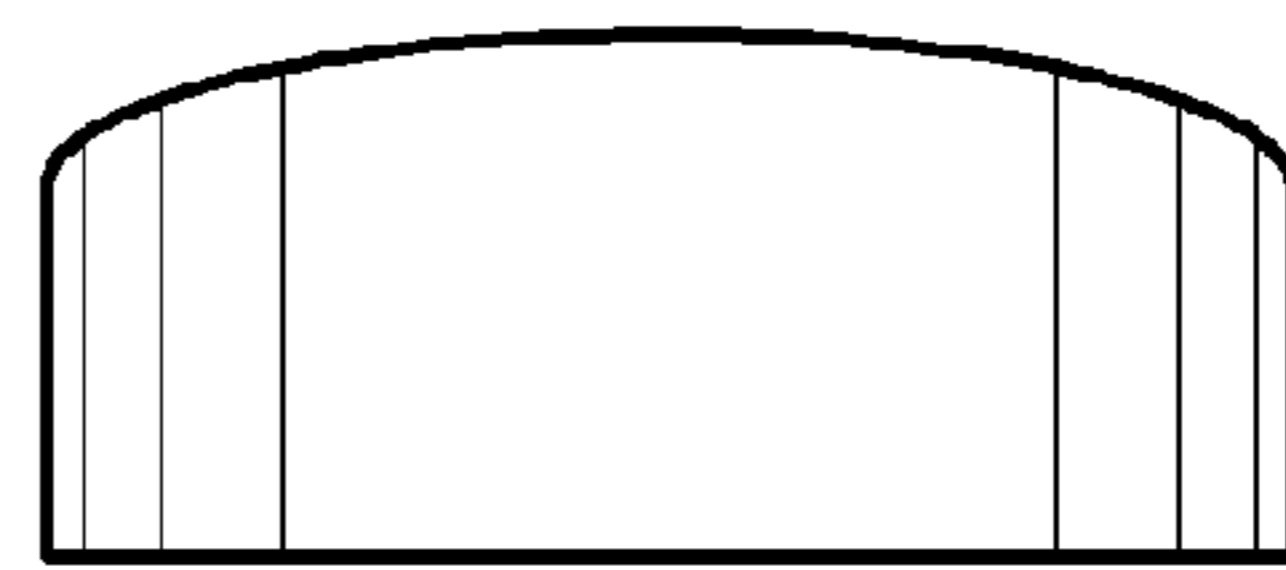


FIG.4

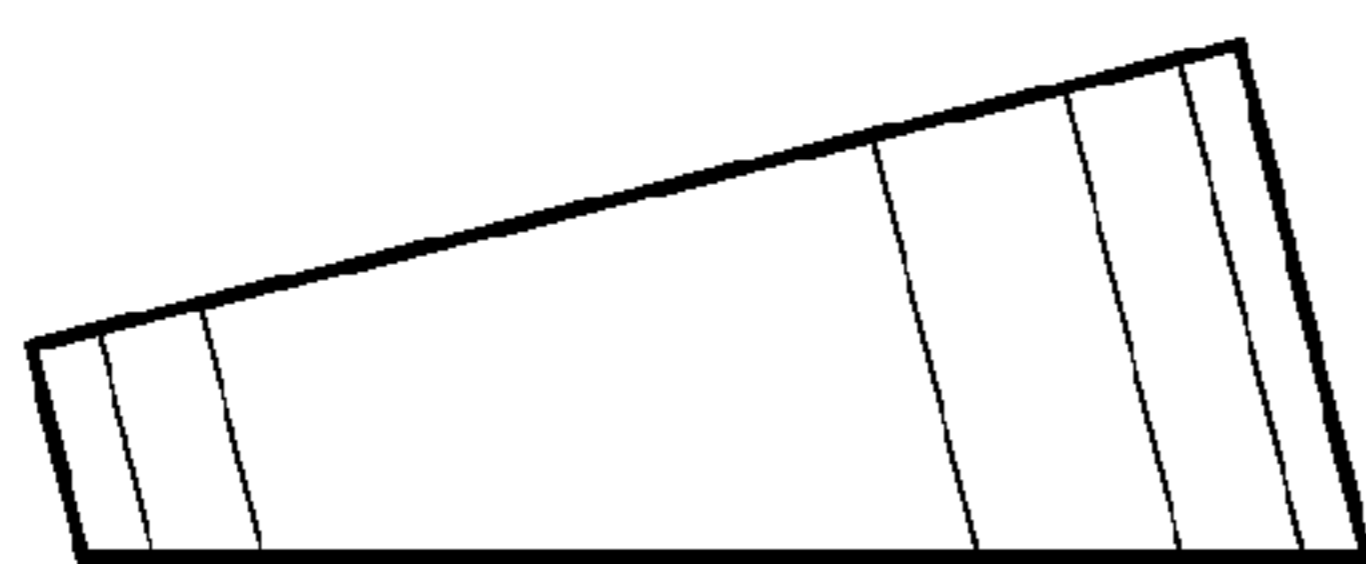


FIG.5

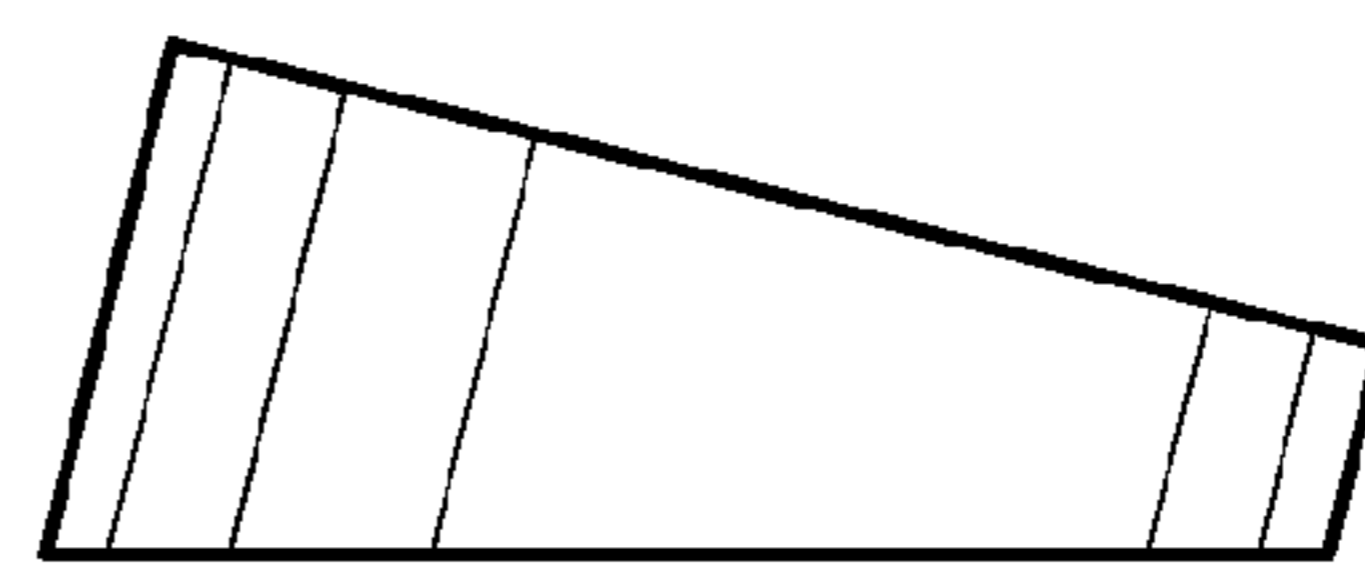


FIG.6

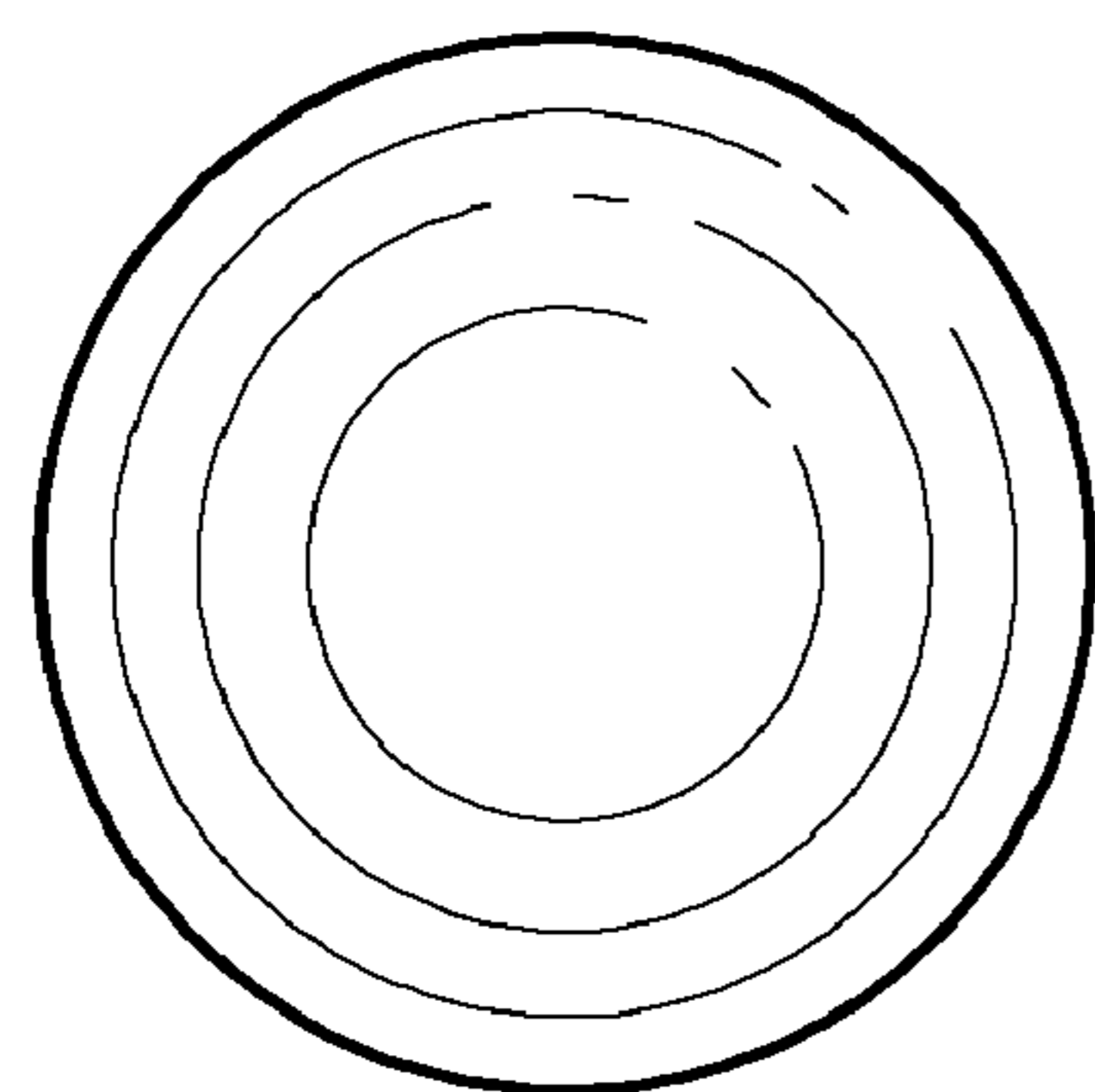


FIG. 7

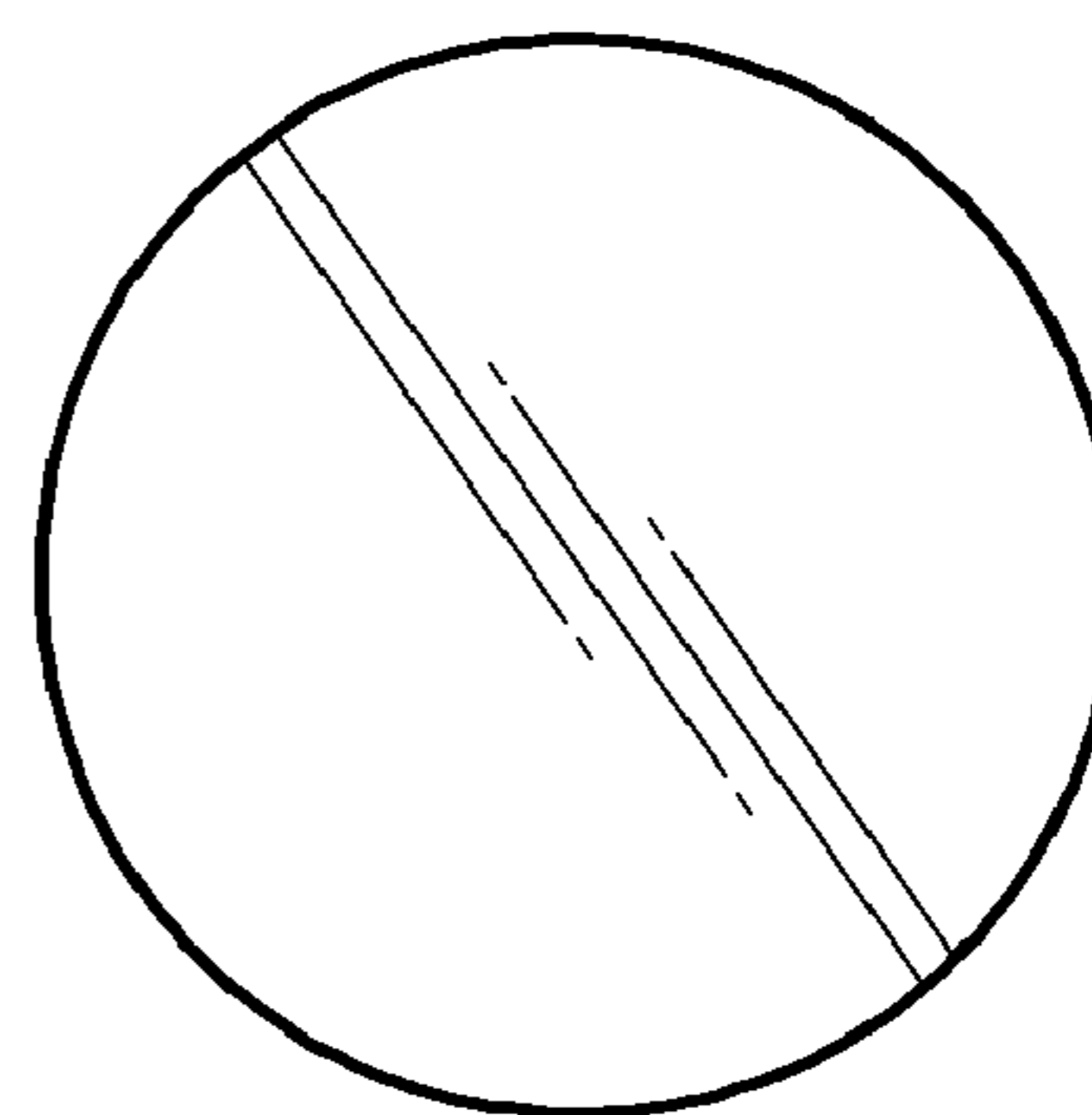


FIG. 8

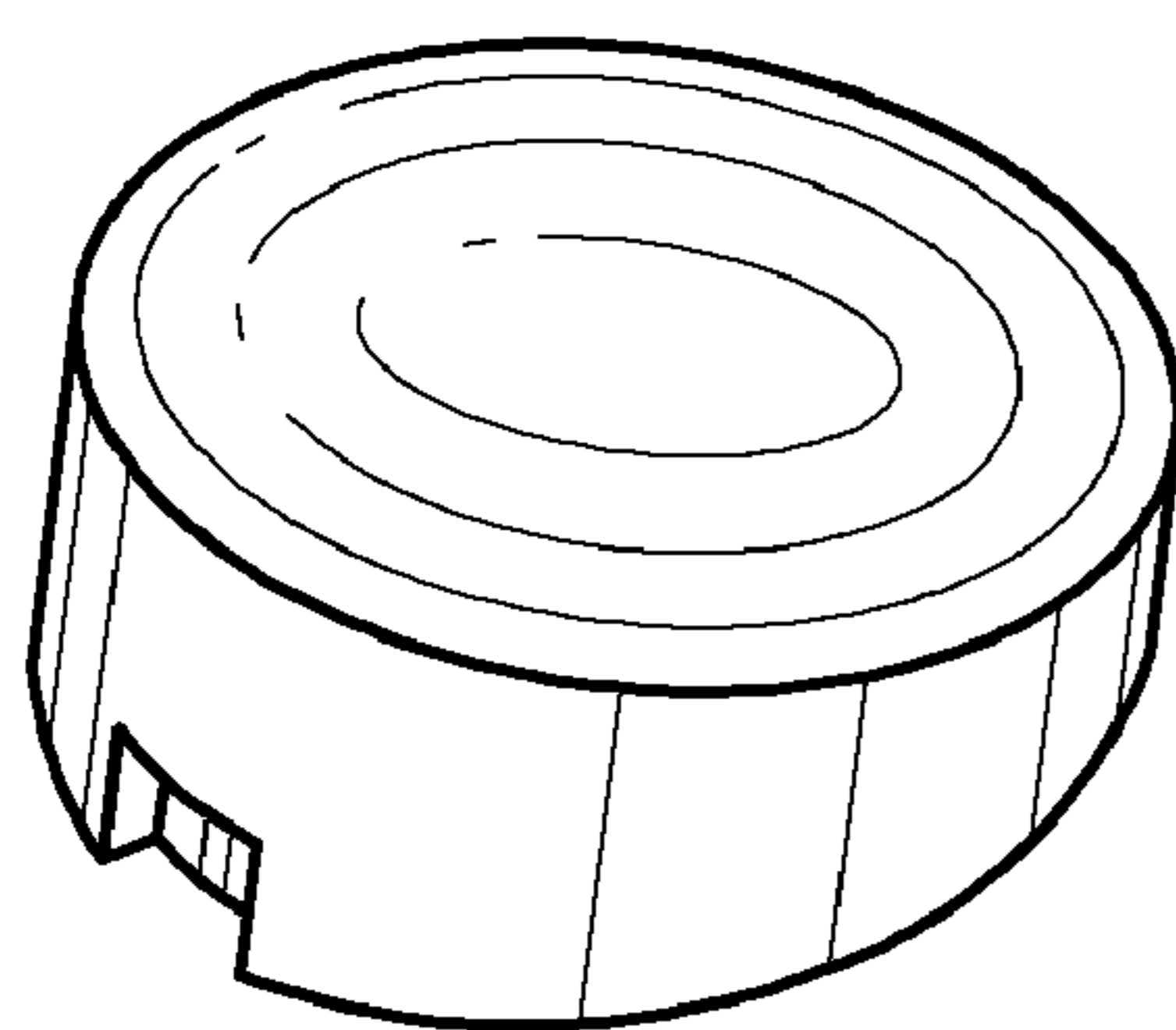


FIG. 9

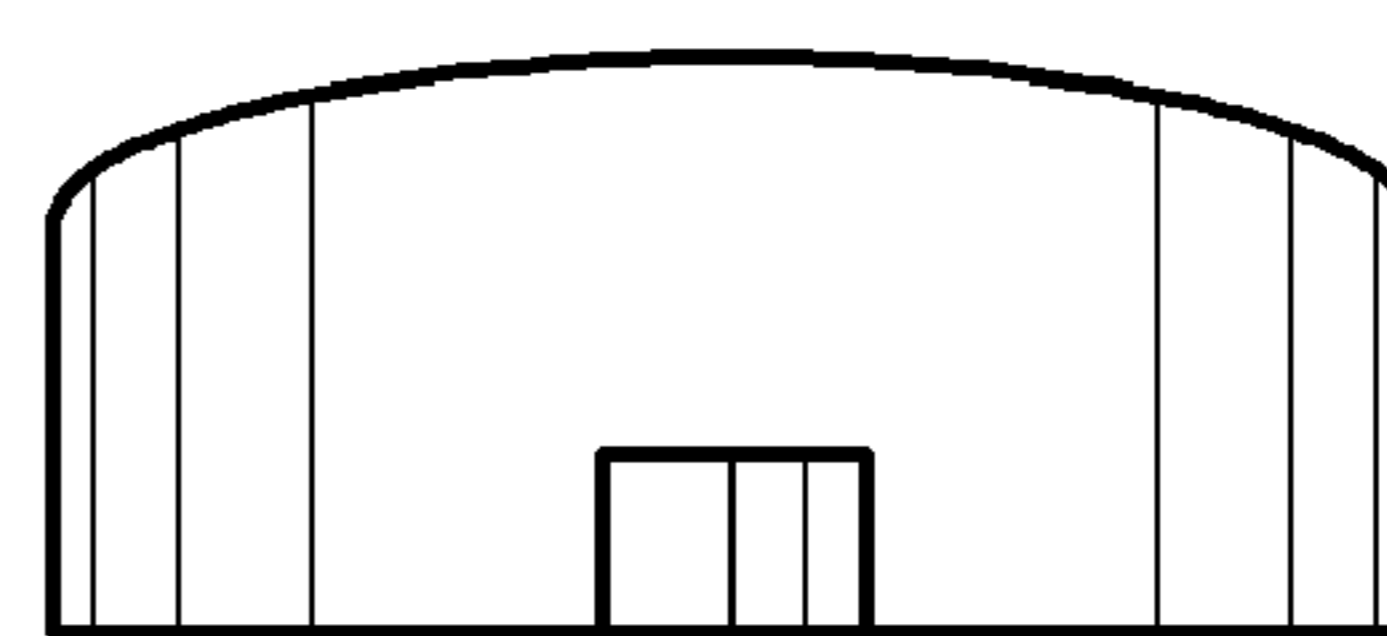


FIG. 10

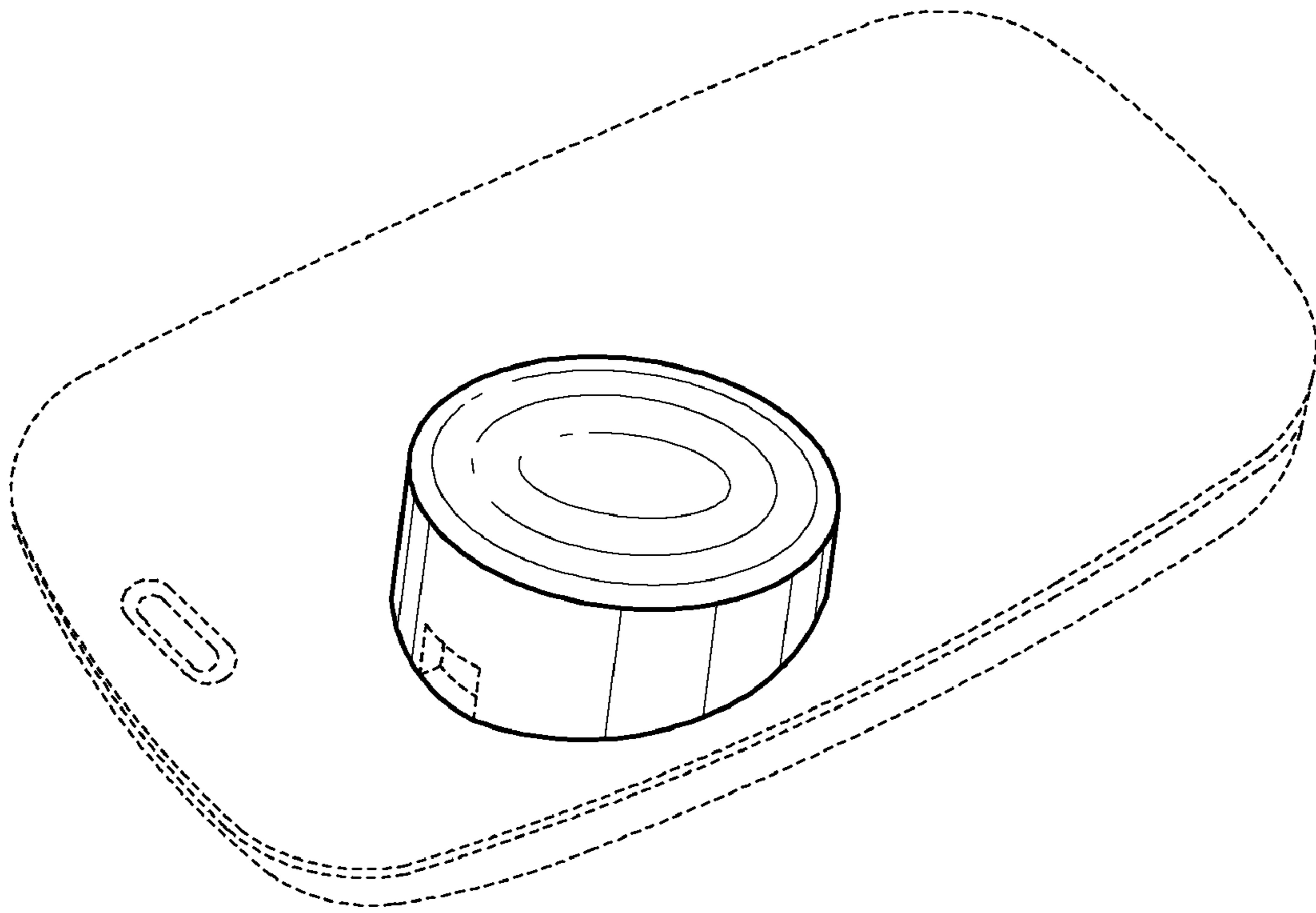


FIG. 11