



US00D640973S

(12) **United States Design Patent**  
**Katsaros**

(10) **Patent No.:** **US D640,973 S**

(45) **Date of Patent:** **\*\* Jul. 5, 2011**

(54) **SOLAR POWERED BATTERY CHARGER**

(76) Inventor: **Stephen Katsaros**, Denver, CO (US)

(\*\*) Term: **14 Years**

(21) Appl. No.: **29/385,987**

(22) Filed: **Feb. 23, 2011**

(51) **LOC (9) Cl.** ..... **13-02**

(52) **U.S. Cl.** ..... **D13/102; D13/107**

(58) **Field of Classification Search** ..... D13/101,  
D13/102, 107-110, 118-119, 184; D14/251,  
D14/253, 432, 434; 320/101, 102, 107-115,  
320/120; 136/206, 243-245

See application file for complete search history.

(56) **References Cited**

U.S. PATENT DOCUMENTS

D442,139	S	*	5/2001	Sasaoka	.....	D13/102
D450,707	S	*	11/2001	Francavilla et al.	.....	D14/434
6,696,816	B2	*	2/2004	Guo et al.	.....	320/110
D490,371	S	*	5/2004	Lee et al.	.....	D13/110
D558,143	S	*	12/2007	Hsu	.....	D13/110
D570,771	S	*	6/2008	Chang et al.	.....	D13/110

D571,789	S	*	6/2008	Tanaka	.....	D14/217
D606,934	S	*	12/2009	Taggart et al.	.....	D13/102
D619,090	S	*	7/2010	Taggart et al.	.....	D13/102
D626,503	S	*	11/2010	Lui	.....	D13/102
D630,163	S	*	1/2011	Yeh	.....	D13/108
D633,437	S	*	3/2011	Chilton et al.	.....	D13/108
2009/0007958	A1	*	1/2009	Ho et al.	.....	136/245

\* cited by examiner

*Primary Examiner* — Rosemary K Tarca

(74) *Attorney, Agent, or Firm* — Crossley Patent Law; Mark A. Crossley

(57) **CLAIM**

The ornamental design for a solar powered battery charger, as shown and described.

**DESCRIPTION**

FIG. 1 is an isometric view of a solar powered battery charger showing my new design;

FIG. 2 is a right elevation view thereof;

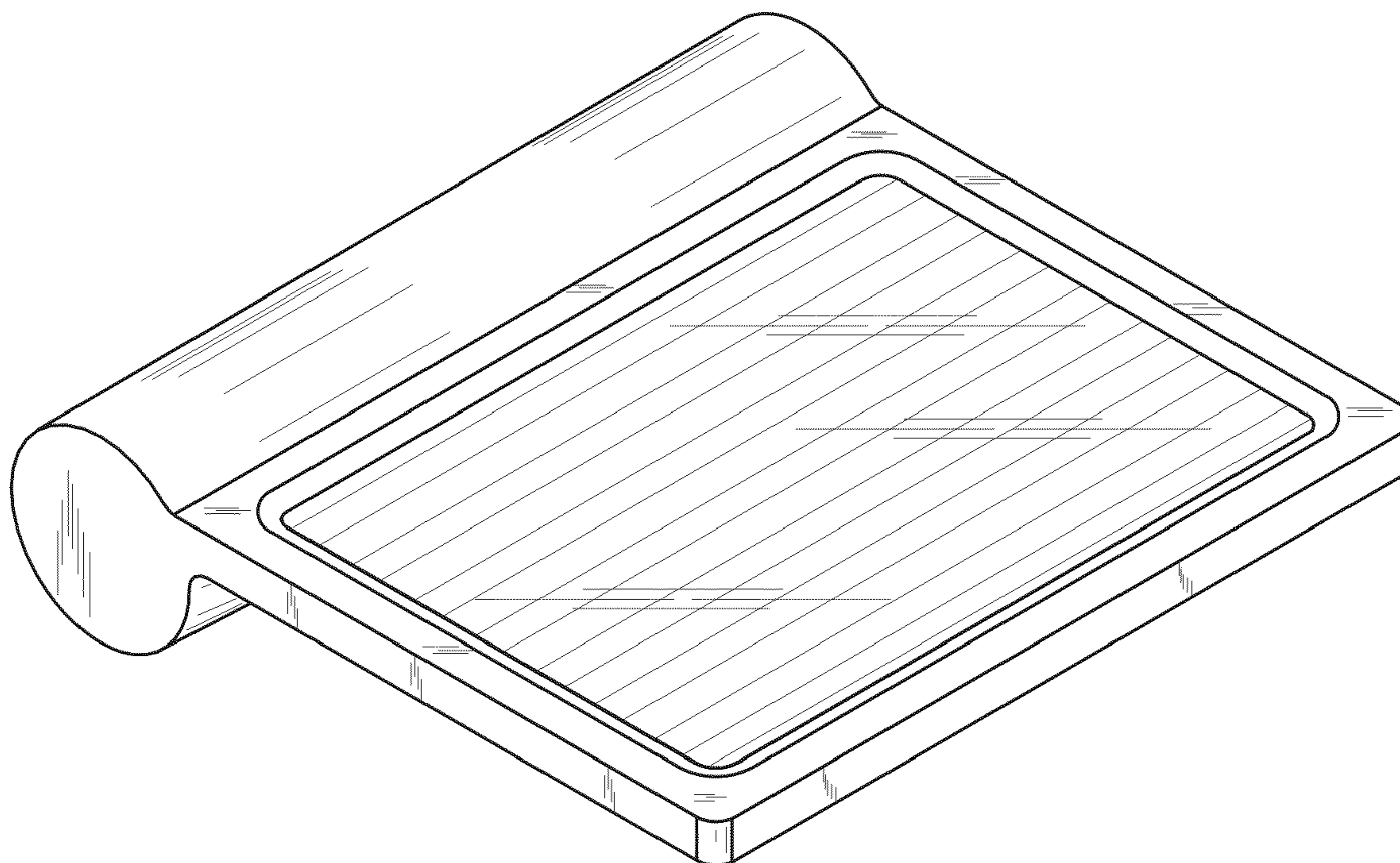
FIG. 3 is a left elevation view thereof;

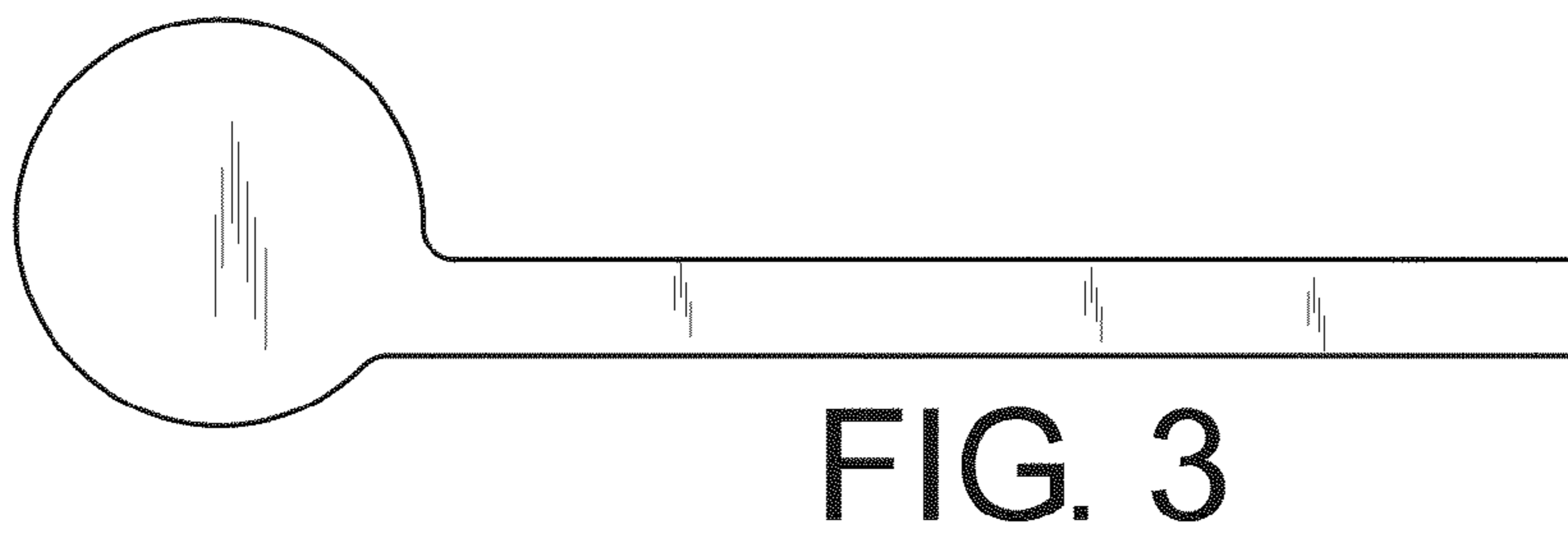
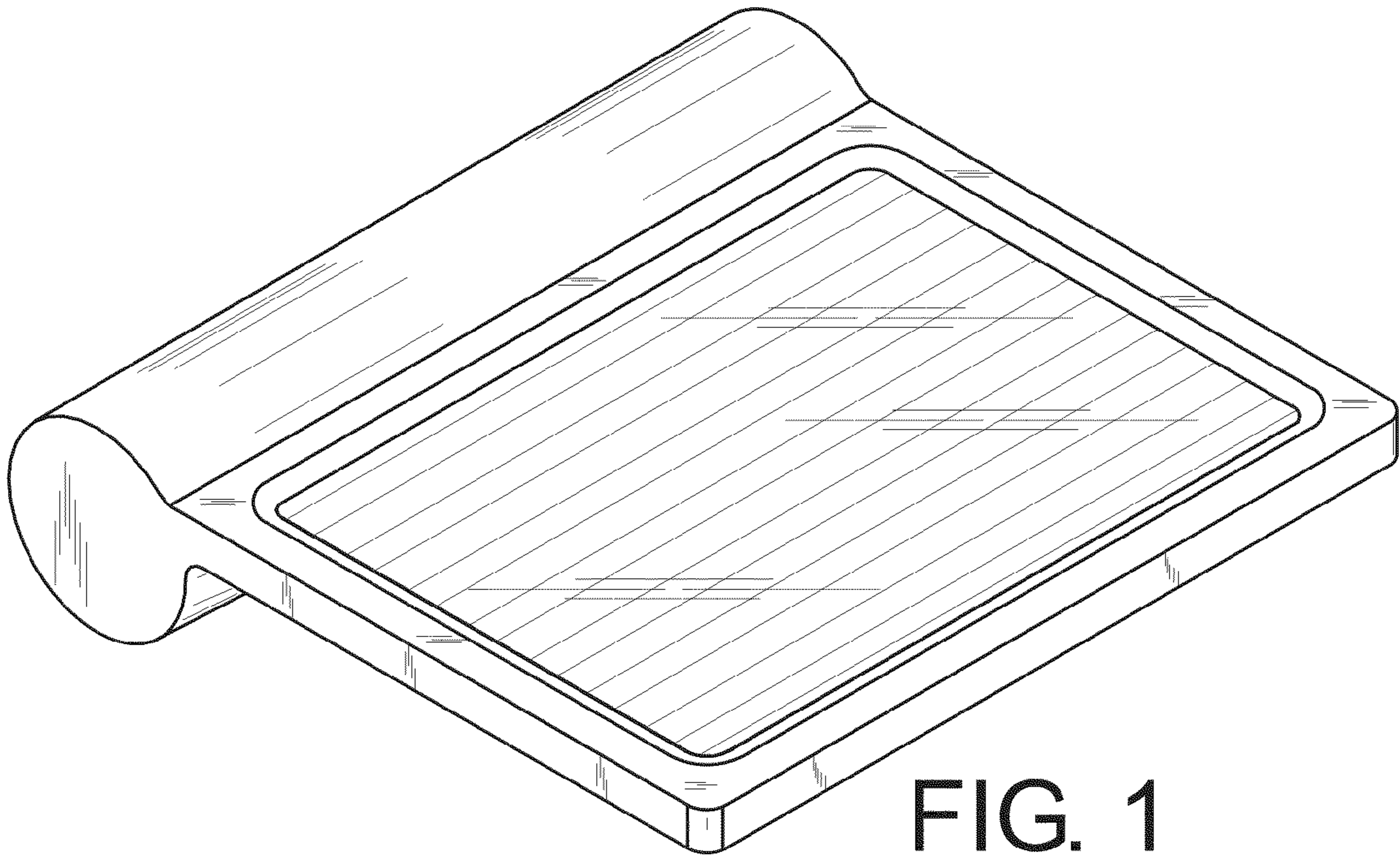
FIG. 4 is a top plan view thereof;

FIG. 5 is a bottom plan view thereof; and,

FIG. 6 is a rear elevation view thereof.

**1 Claim, 2 Drawing Sheets**





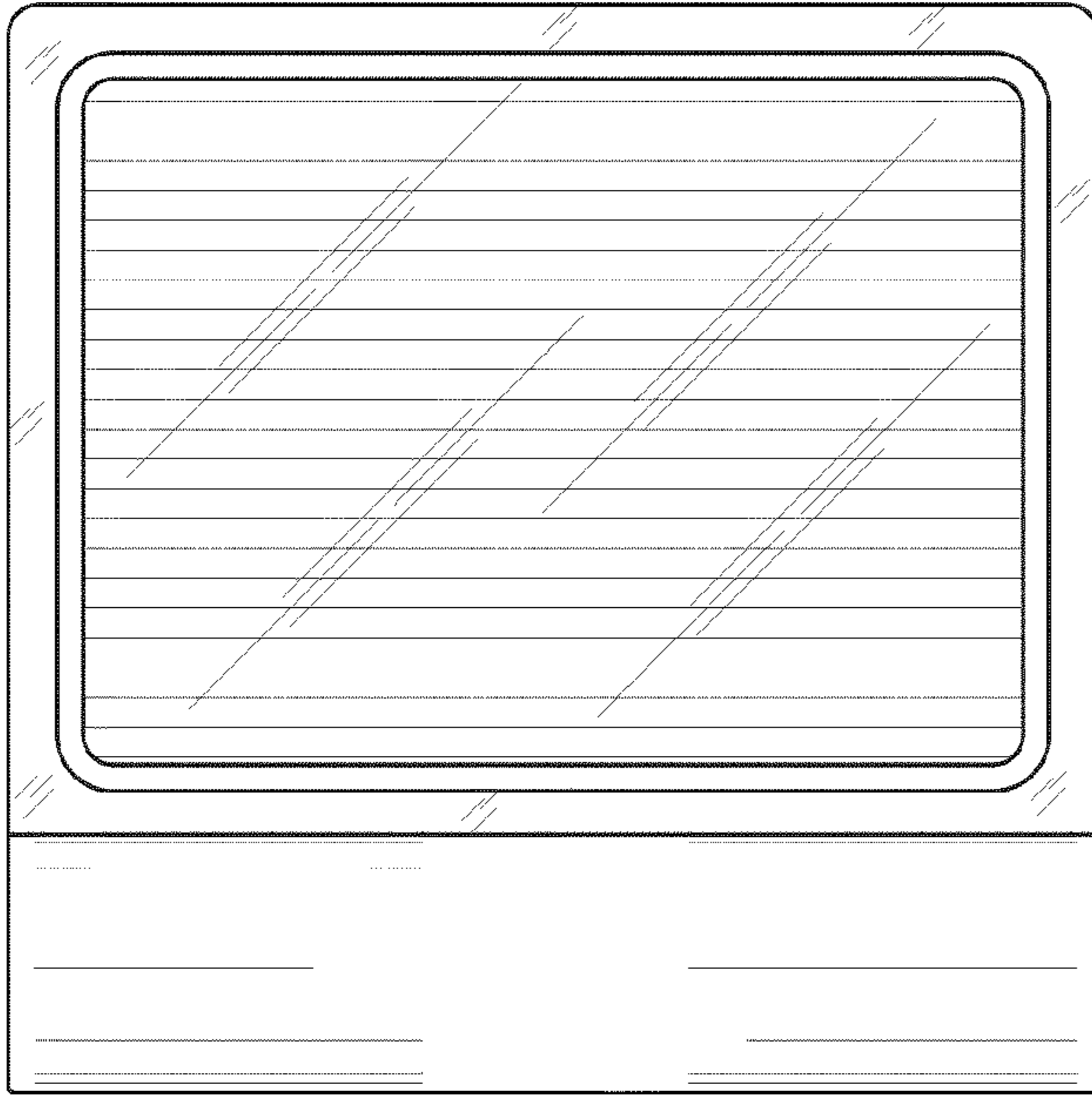


FIG. 4

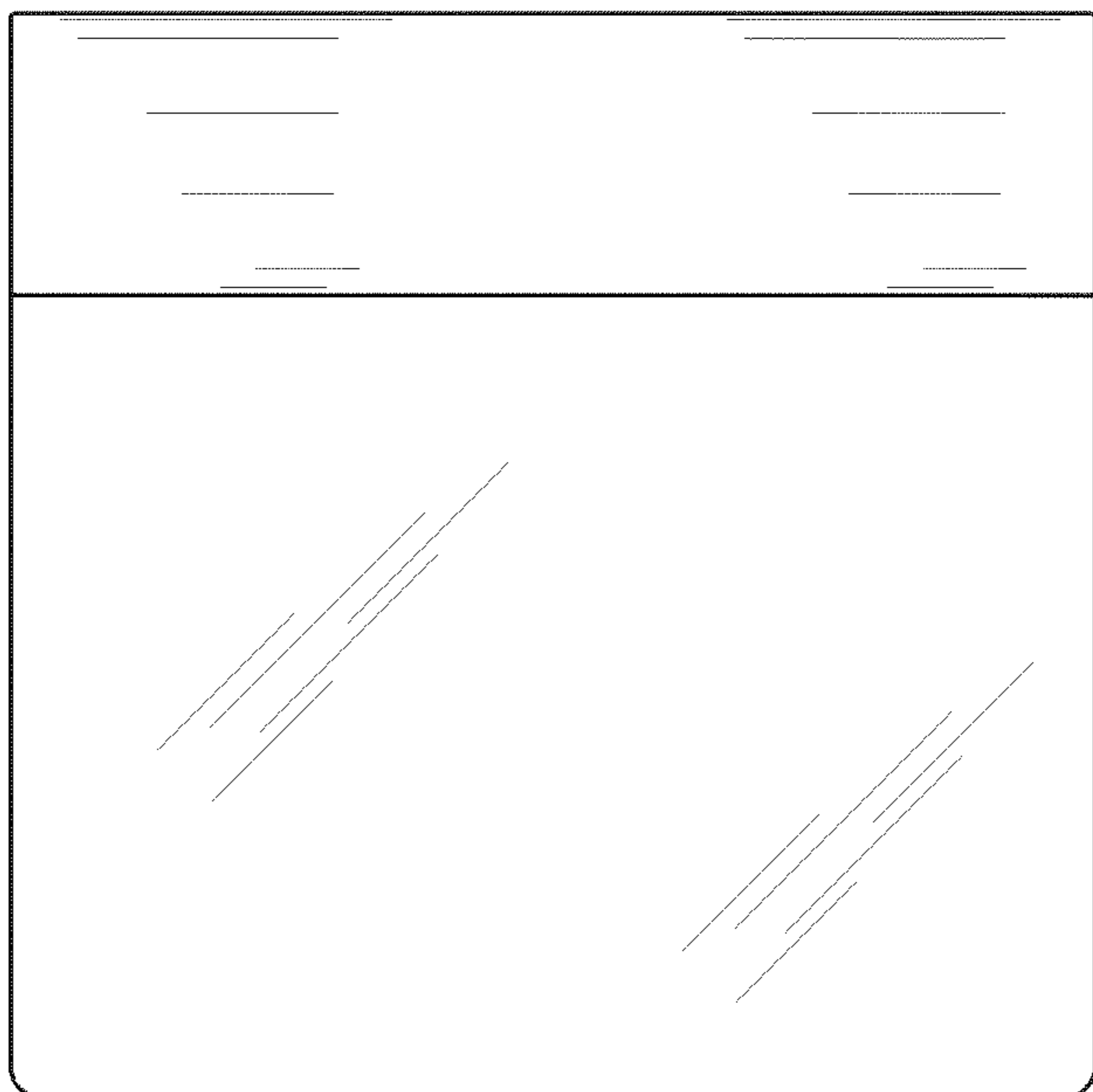


FIG. 5

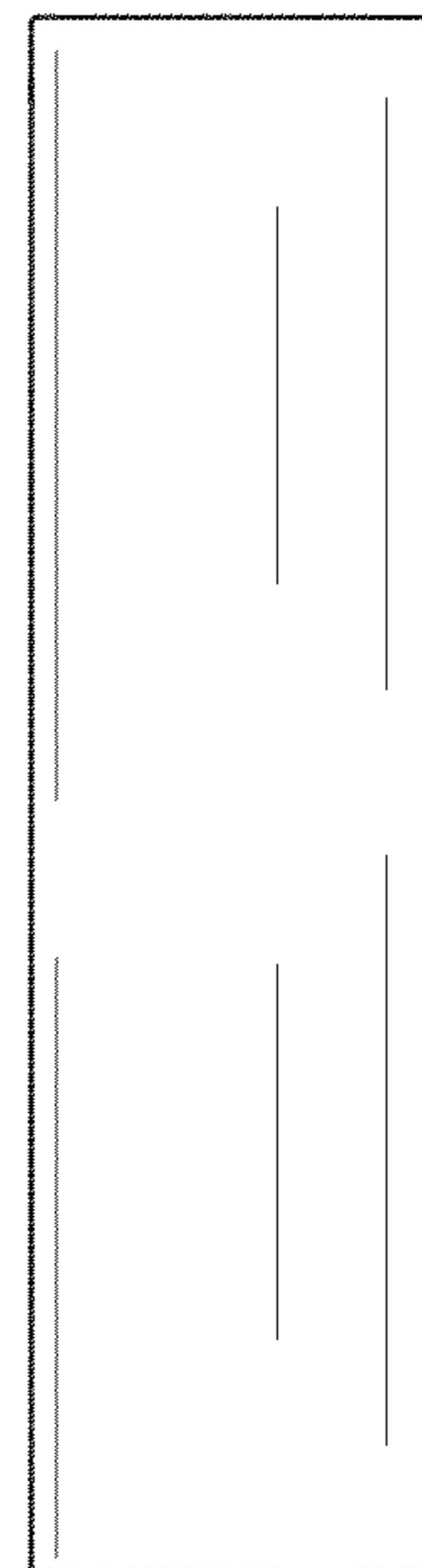


FIG. 6